



US00D633119S

(12) **United States Design Patent**
Mackel

(10) **Patent No.:** **US D633,119 S**

(45) **Date of Patent:** **** Feb. 22, 2011**

- (54) **SEPARATOR HAVING A DRIVE**
- (75) Inventor: **Wilfried Mackel**, Lippetal (DE)
- (73) Assignee: **Gea Westfalia Separator GmbH**, Oelde (DE)
- (**) Term: **14 Years**
- (21) Appl. No.: **29/344,897**
- (22) Filed: **Oct. 6, 2009**

- (30) **Foreign Application Priority Data**
Apr. 7, 2009 (EM) 001118988-0001
 - (51) **LOC (9) Cl.** **15-09**
 - (52) **U.S. Cl.** **D15/147**
 - (58) **Field of Classification Search** D15/147;
209/35, 140, 144, 154, 199; 222/194, 195;
494/82
- See application file for complete search history.

- (56) **References Cited**
U.S. PATENT DOCUMENTS
- | | | | | |
|---------------|---------|---------------|-------|-----------|
| D120,477 S * | 5/1940 | Baker | | D23/396 |
| 2,498,832 A * | 2/1950 | Watson et al. | | 209/712 |
| 2,635,745 A * | 4/1953 | Mead et al. | | 209/35 |
| 3,397,780 A * | 8/1968 | Beuzeval | | 209/137 |
| D213,917 S * | 4/1969 | Peterson | | D15/147 |
| 4,125,456 A * | 11/1978 | Henderson | | 209/140 |
| D271,879 S * | 12/1983 | Neilson | | D15/147 |
| 4,599,163 A * | 7/1986 | Manola | | 209/139.2 |

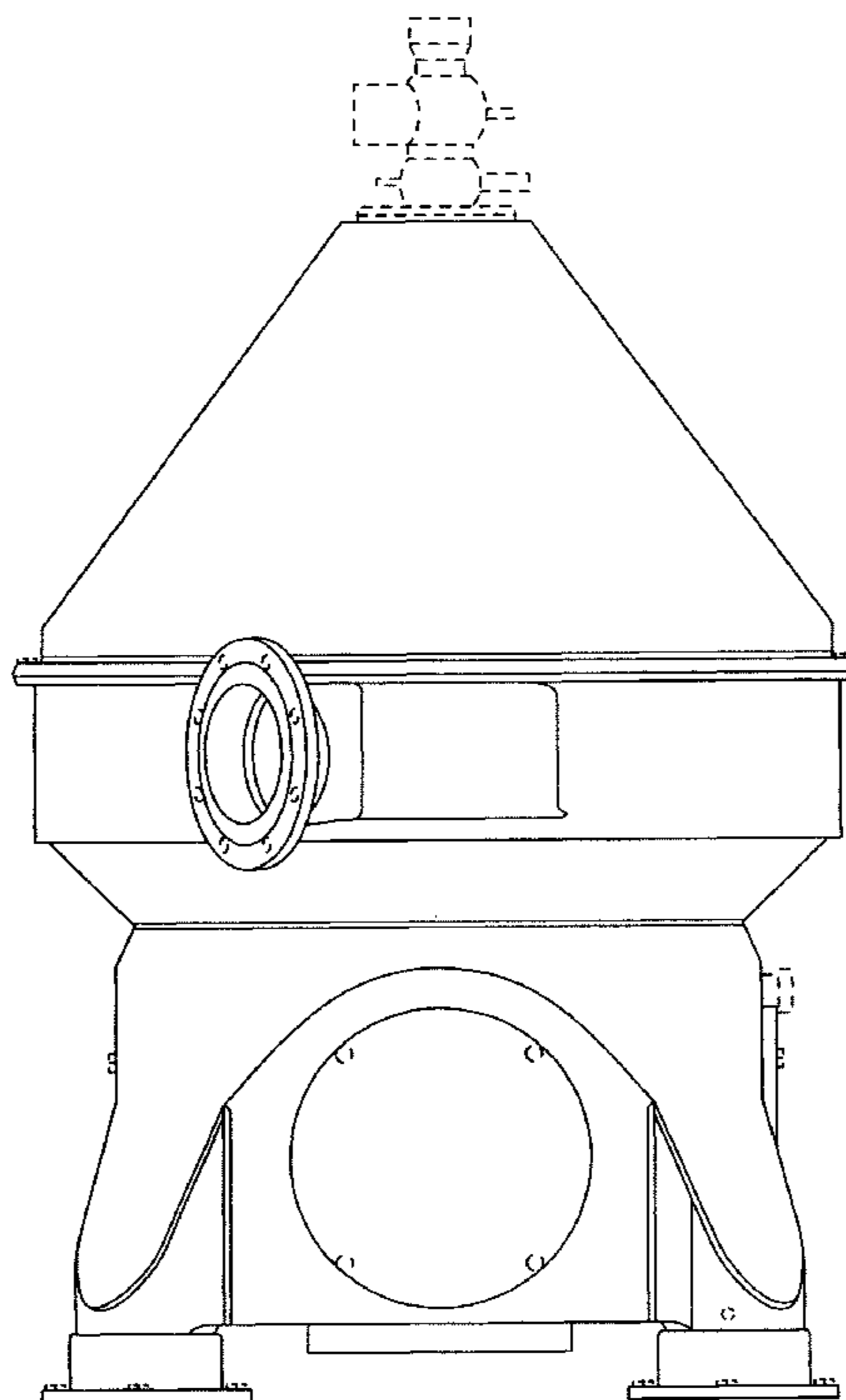
- | | | | | |
|-------------------|---------|--------------|-------|---------|
| D294,363 S * | 2/1988 | Donhauser | | D15/147 |
| D303,672 S * | 9/1989 | Stienen | | D15/147 |
| D335,294 S * | 5/1993 | Vallien | | D15/147 |
| D424,587 S * | 5/2000 | Maguire | | D15/147 |
| 6,712,216 B2 * | 3/2004 | Van Oirschot | | 209/138 |
| 7,108,138 B2 * | 9/2006 | Simpson | | 209/720 |
| 2006/0113225 A1 * | 6/2006 | Chang | | 209/718 |
| 2007/0234906 A1 * | 10/2007 | DeMarco | | 96/382 |

* cited by examiner
Primary Examiner—Patricia Palasik
 (74) *Attorney, Agent, or Firm*—Barnes & Thornburg LLP

(57) **CLAIM**
 The ornamental design for a “separator having a drive,” as shown and described.

DESCRIPTION
 FIG. 1 is a front elevation view of an embodiment of a separator having a drive.
 FIG. 2 is a back elevation view of FIG. 1.
 FIG. 3 is a side elevation view of FIG. 1.
 FIG. 4 is a side elevation view of the embodiment of FIG. 1 on an opposite side of FIG. 3.
 FIG. 5 is a top plan view of FIG. 1; and,
 FIG. 6 is a bottom plan view of FIG. 1.
 The broken lines in the drawings depict unclaimed environmental subject matter.

1 Claim, 6 Drawing Sheets



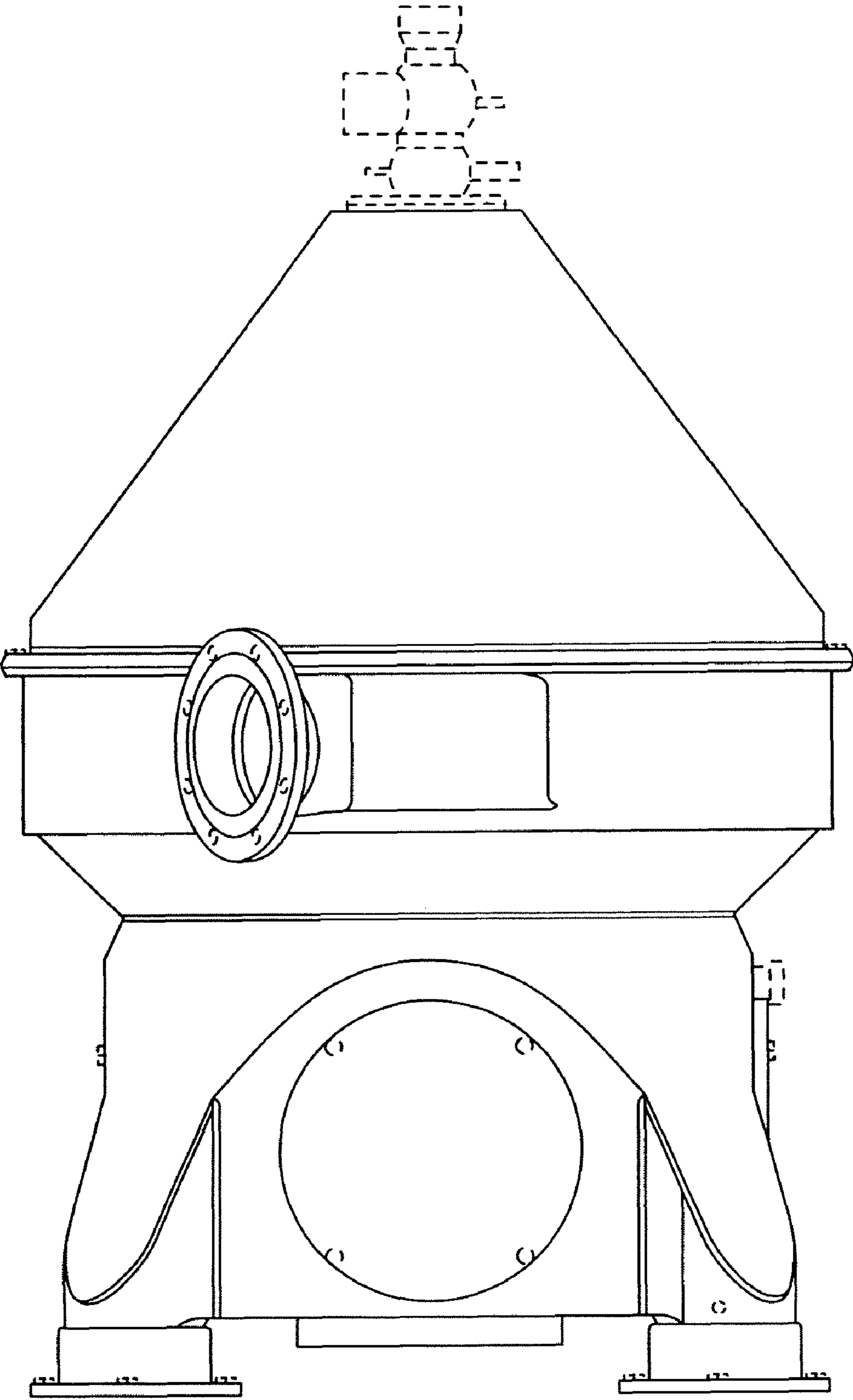


FIG. 1

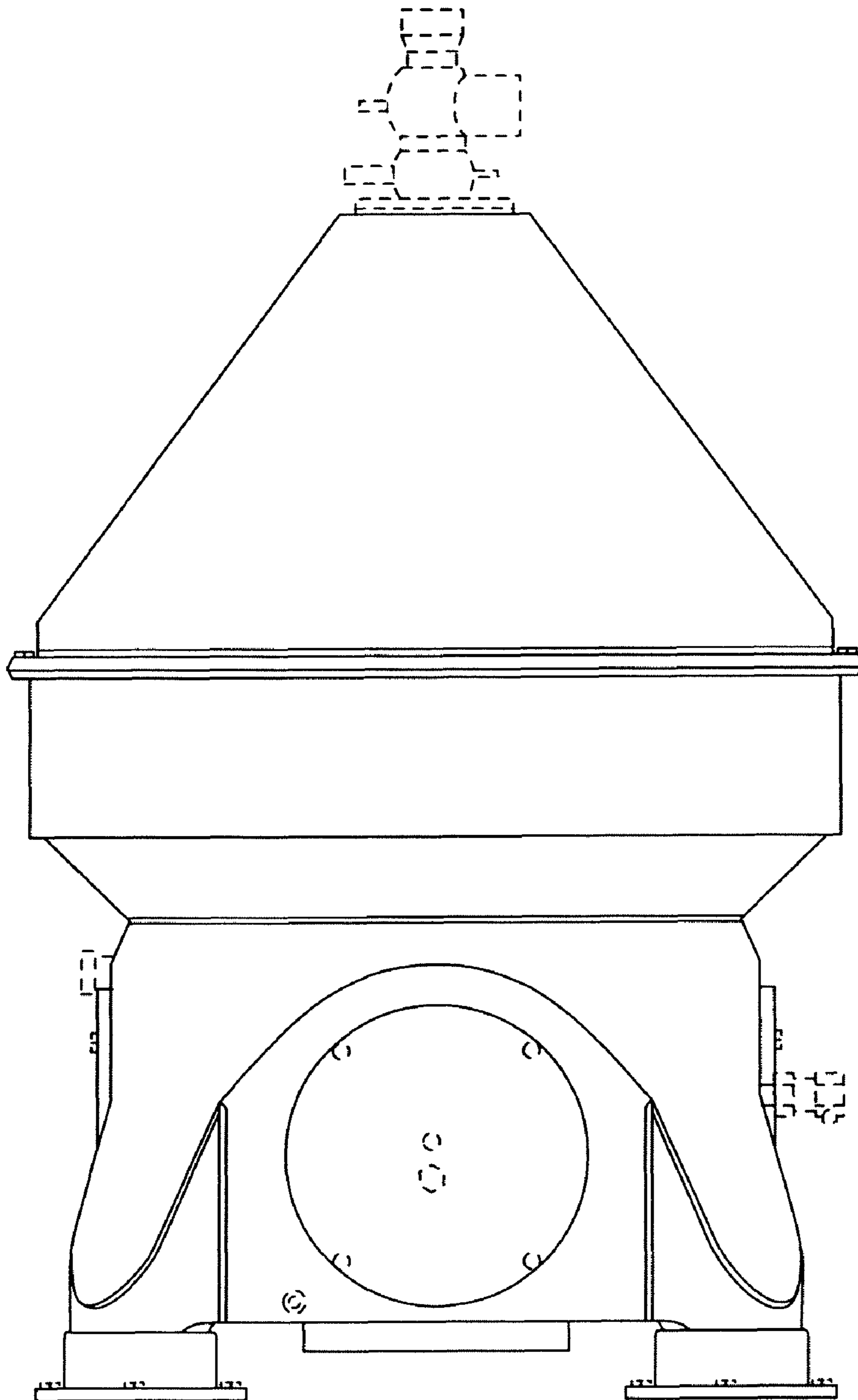


FIG. 2

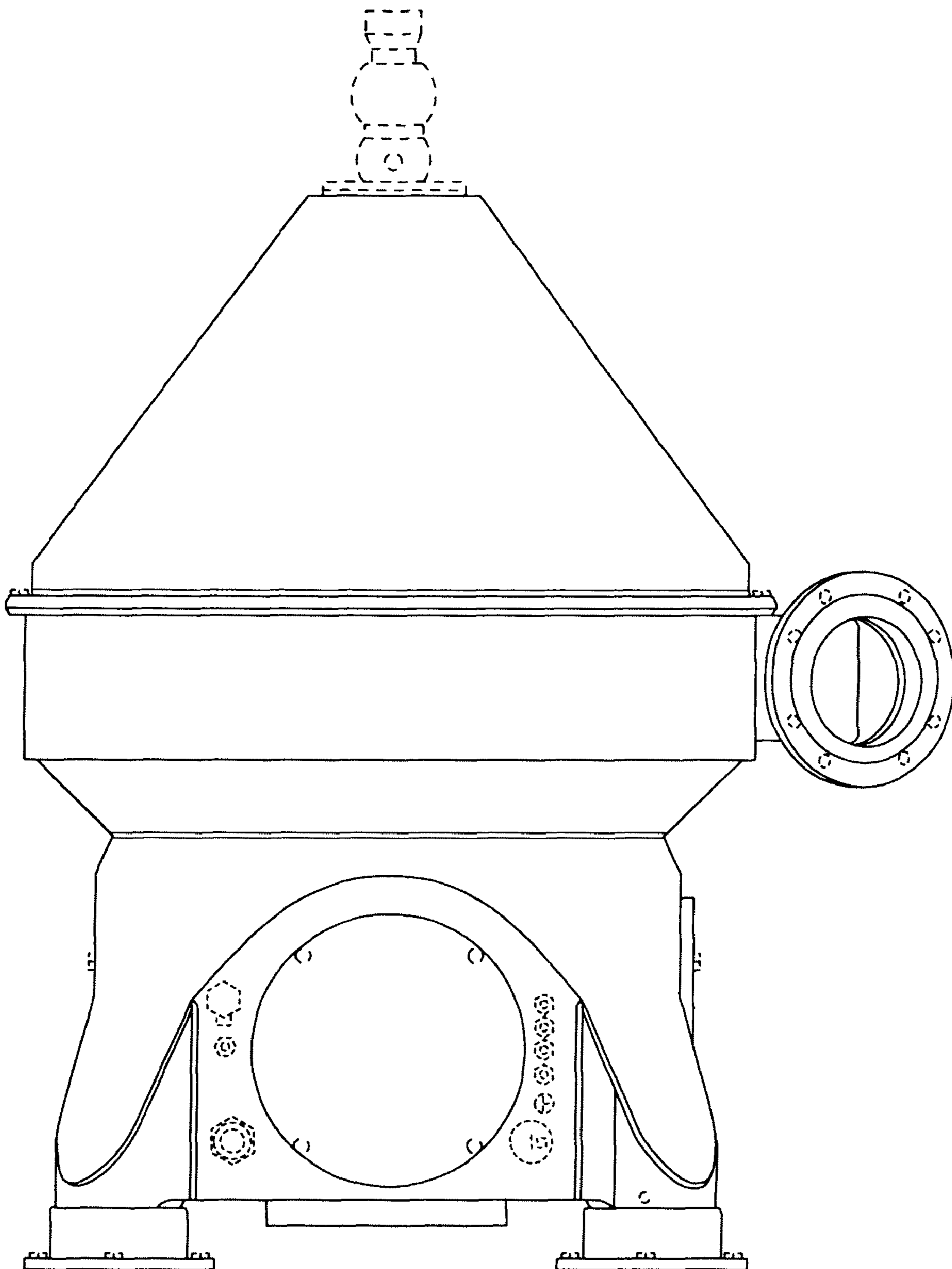


FIG. 3

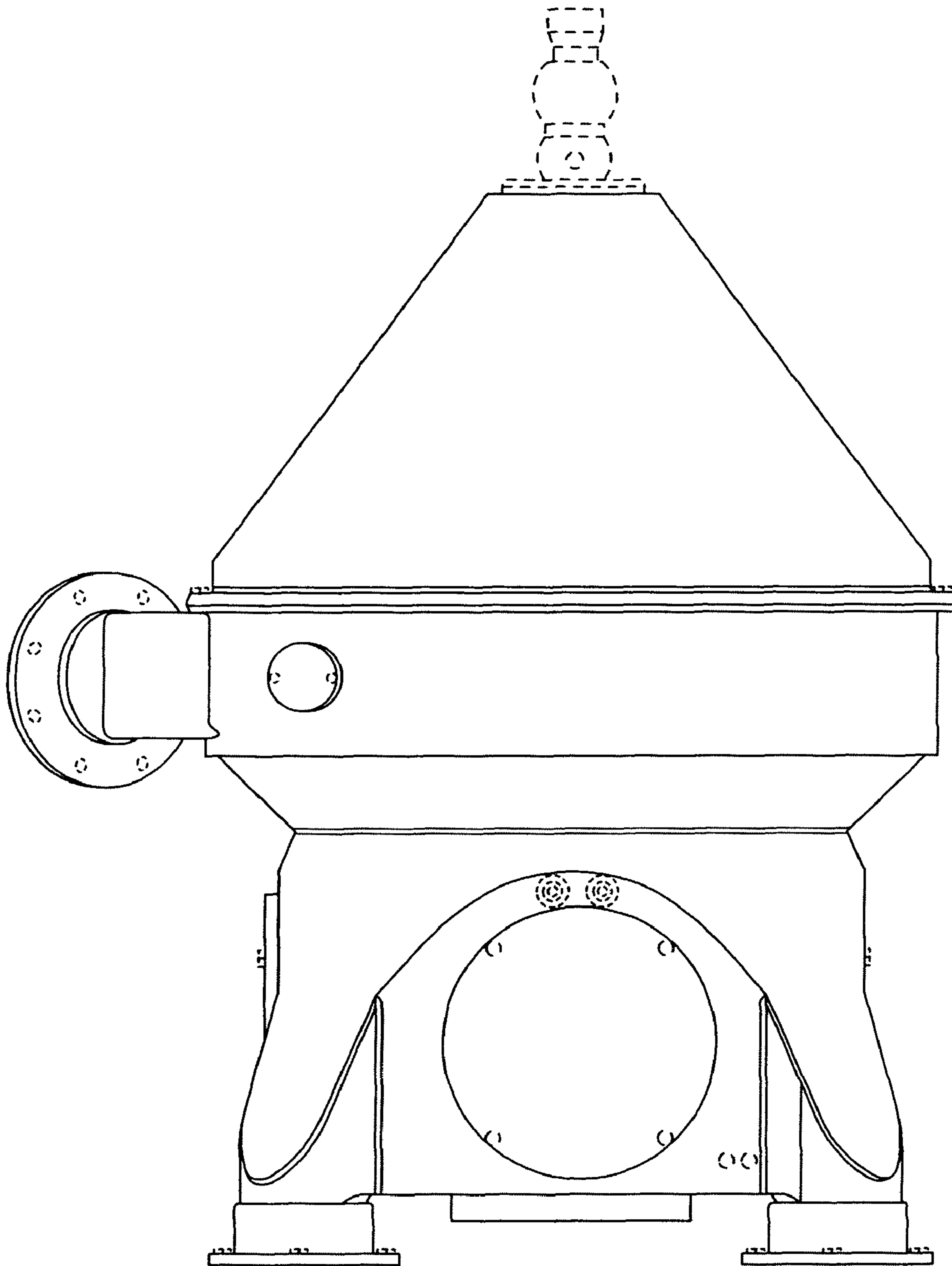


FIG. 4

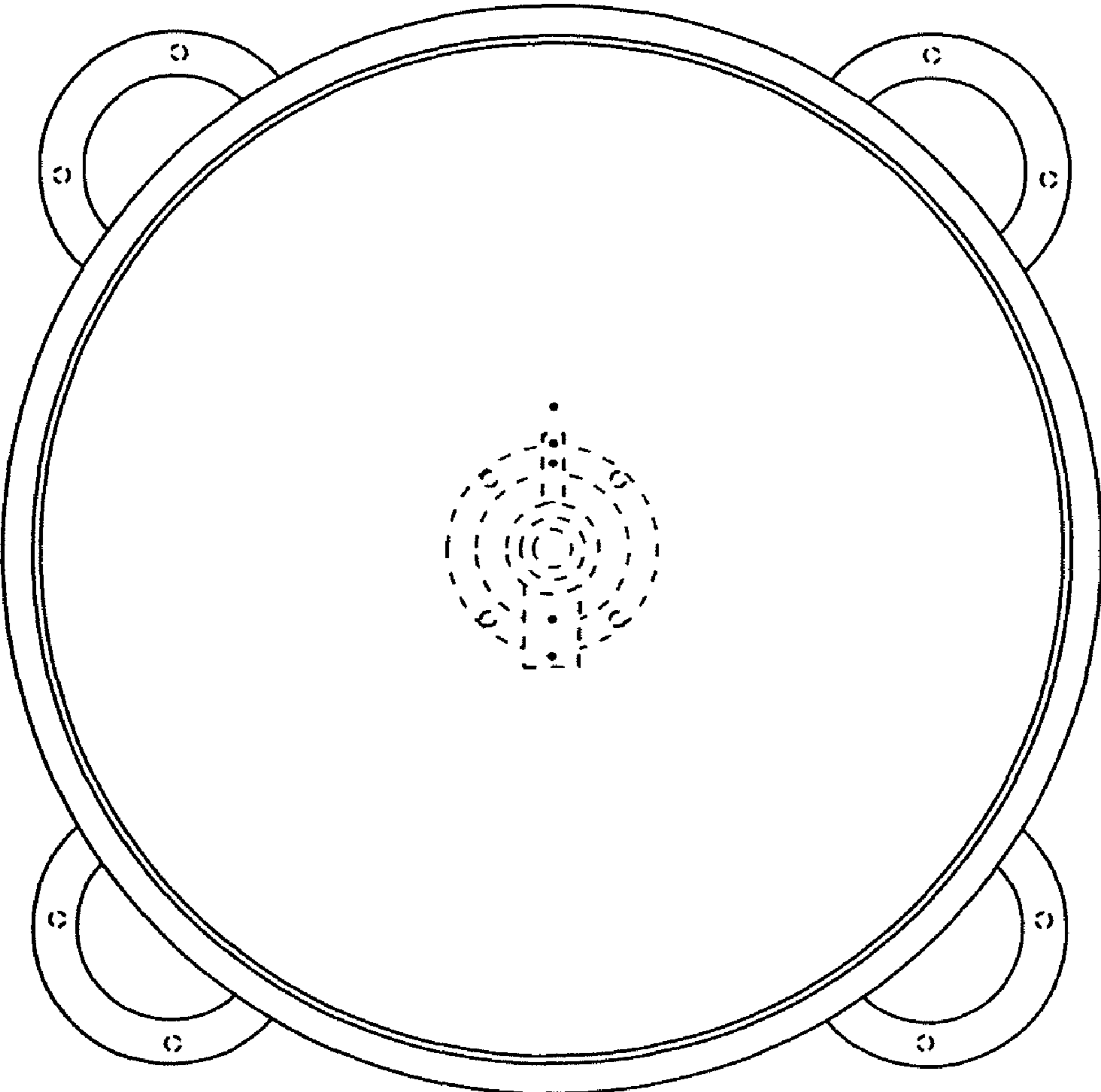


FIG. 5

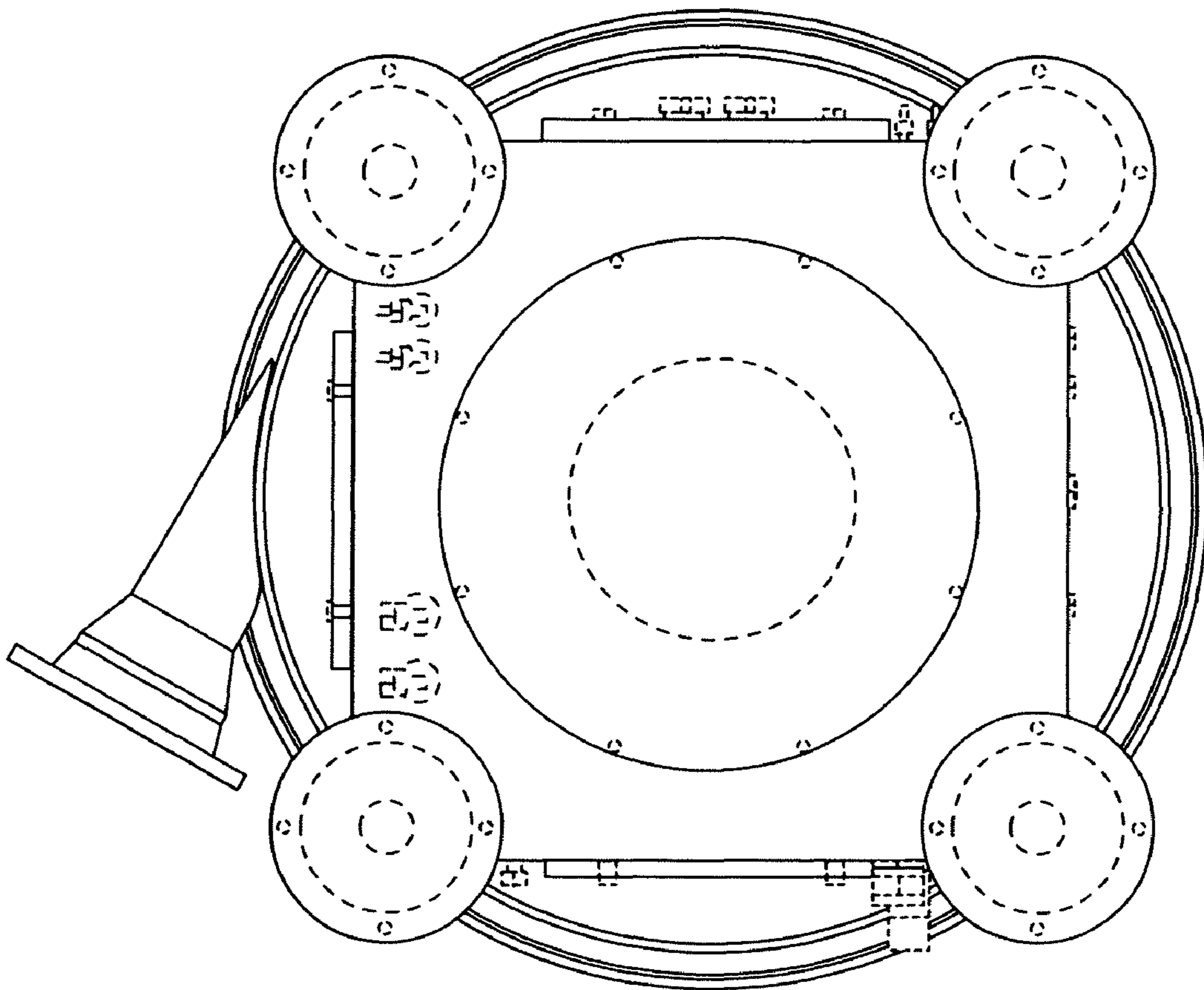


FIG. 6