



US00D633118S

(12) **United States Design Patent**  
**Beatty et al.**

(10) **Patent No.:** **US D633,118 S**

(45) **Date of Patent:** **\*\* Feb. 22, 2011**

(54) **SEALING MACHINE**

(75) Inventors: **Scott Beatty**, Coral Springs, FL (US);  
**Jeff Smith**, Pompano Beach, FL (US)

(73) Assignee: **Sunbeam Products, Inc.**, Boca Raton,  
FL (US)

(\*\*) Term: **14 Years**

(21) Appl. No.: **29/377,972**

(22) Filed: **Oct. 28, 2010**

(51) **LOC (9) Cl.** ..... **15-99**

(52) **U.S. Cl.** ..... **D15/146**

(58) **Field of Classification Search** ..... D8/49,  
D8/50, 105; D15/145, 146; 53/373, 374.8,  
53/374.9, 389.2, 389.3, 390, 405, 432-434,  
53/510-512; 101/9; 156/497, 515, 583.1-583.91;  
219/143, 227, 229, 230, 233, 240, 243  
See application file for complete search history.

(56) **References Cited**

**U.S. PATENT DOCUMENTS**

D301,238 S \* 5/1989 Makihara ..... D15/146  
5,893,822 A \* 4/1999 Deni et al. .... 53/512  
D436,970 S \* 1/2001 Choi ..... D15/136  
D483,059 S \* 12/2003 Goh et al. .... D18/50

D506,214 S \* 6/2005 Zepter ..... D15/146  
D515,601 S \* 2/2006 Sholzberg et al. .... D15/146  
D579,957 S \* 11/2008 Kiple et al. .... D15/145  
D597,572 S \* 8/2009 Tsai ..... D15/146  
2005/0022480 A1 \* 2/2005 Brakes ..... 53/512  
2005/0217101 A1 \* 10/2005 Small ..... 29/450  
2007/0193230 A1 \* 8/2007 Bapista ..... 53/510

\* cited by examiner

*Primary Examiner*—Patricia Palasik

(74) *Attorney, Agent, or Firm*—Michael J. Corrigan

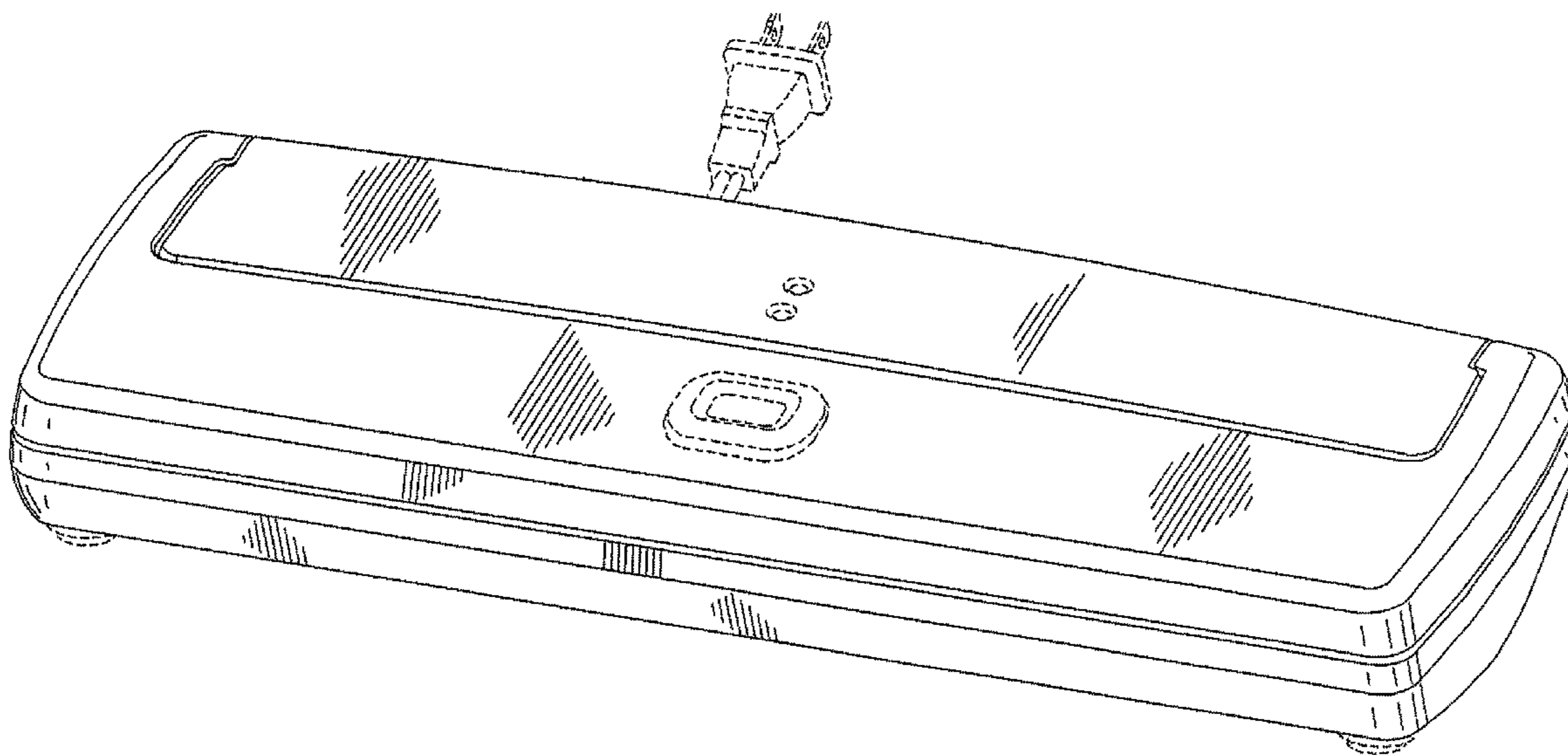
(57) **CLAIM**

The ornamental design for a sealing machine, as shown and described.

**DESCRIPTION**

FIG. 1 is a front perspective view of a sealing machine;  
FIG. 2 is a top plan view thereof;  
FIG. 3 is a bottom plan view thereof;  
FIG. 4 is a front view thereof;  
FIG. 5 is a rear view thereof;  
FIG. 6 is a left side view thereof; and,  
FIG. 7 is a right side view thereof.

**1 Claim, 7 Drawing Sheets**



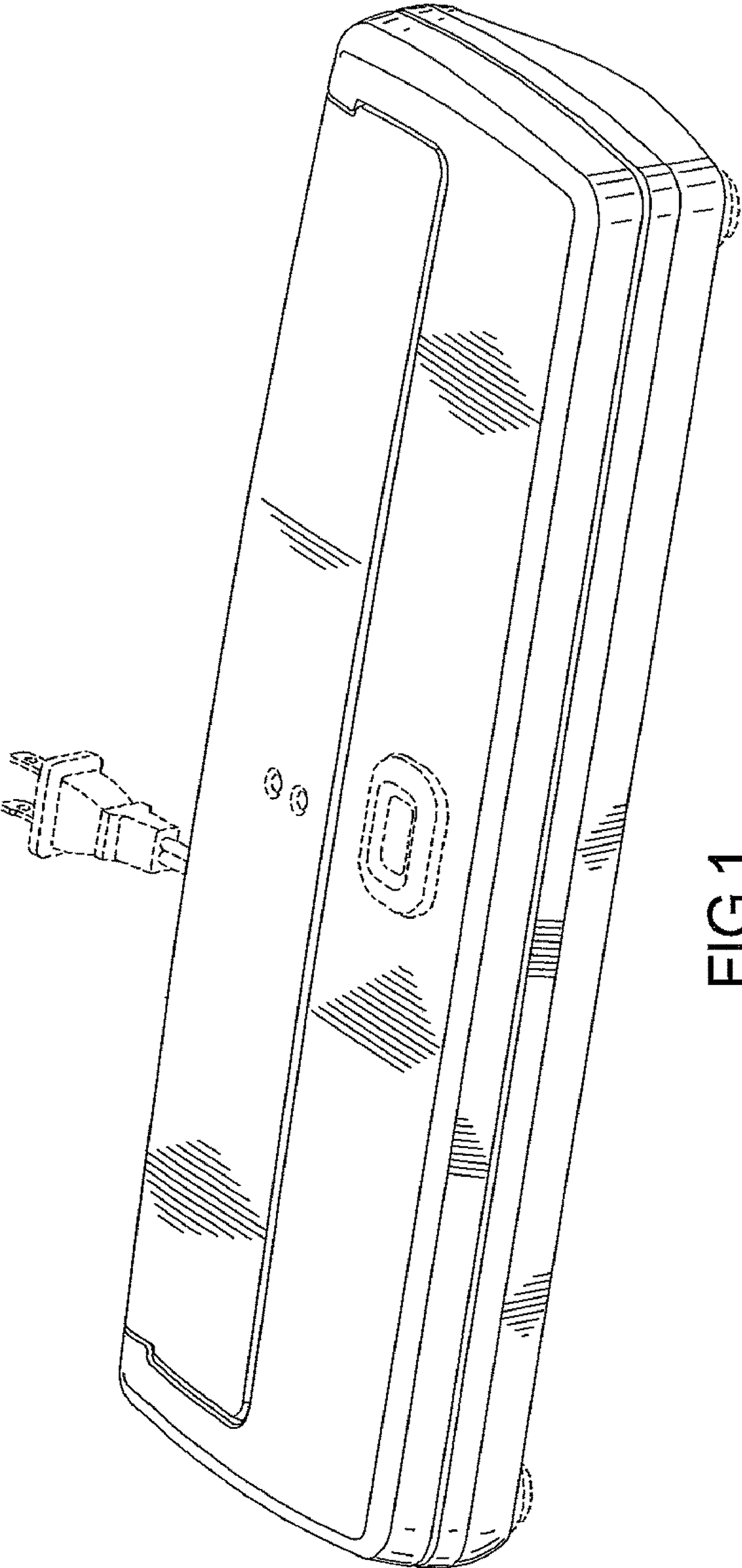


FIG 1

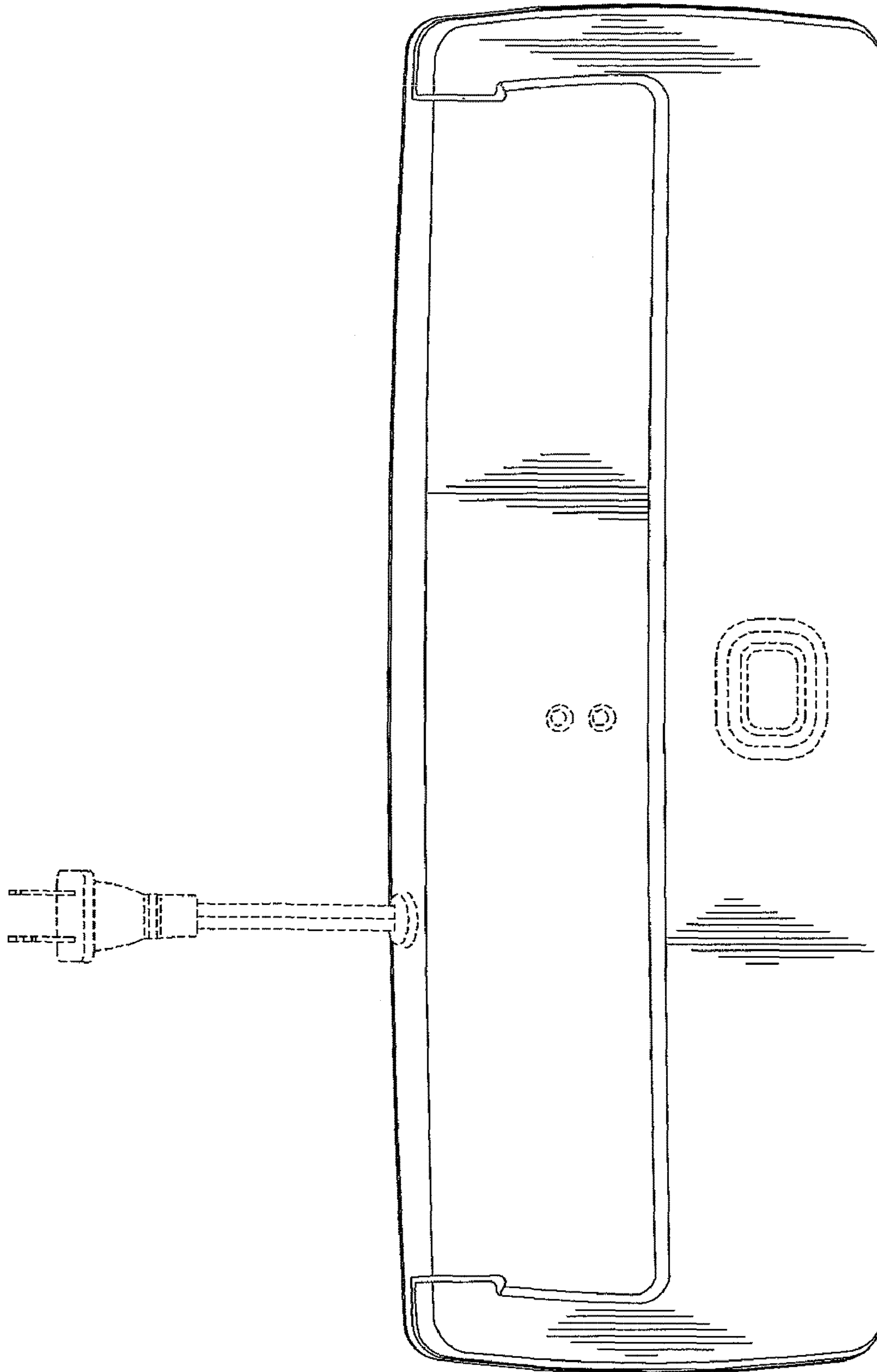


FIG 2

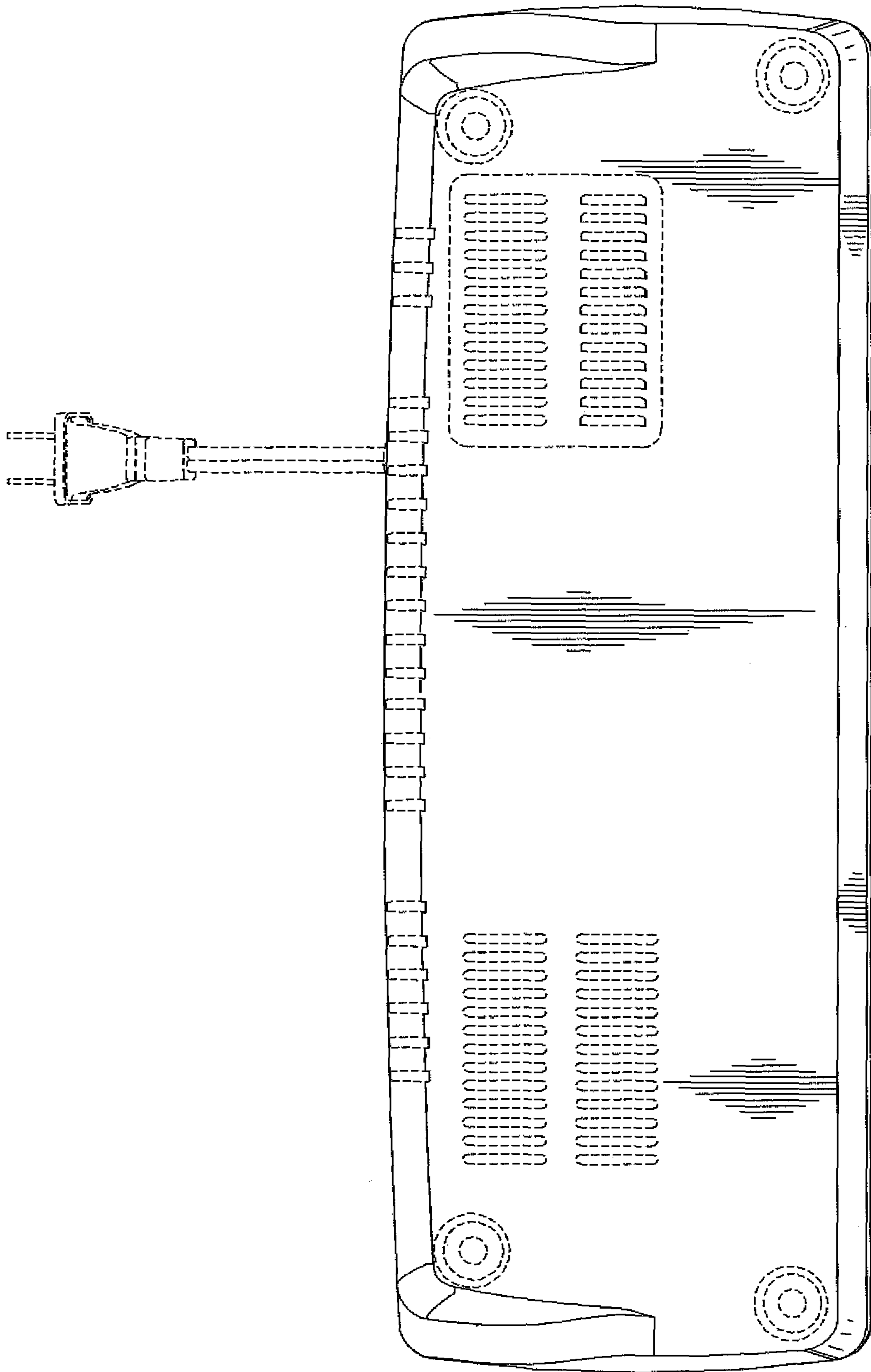


FIG 3



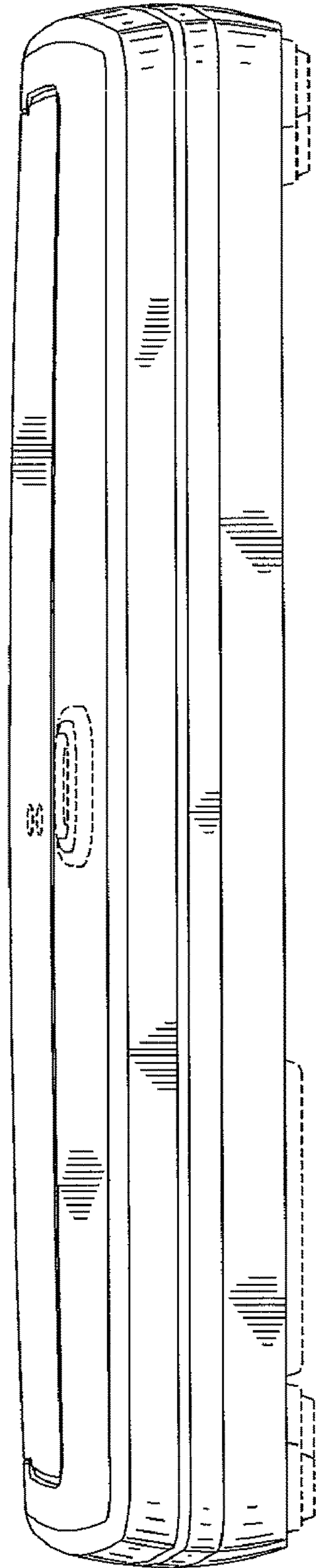


FIG 4

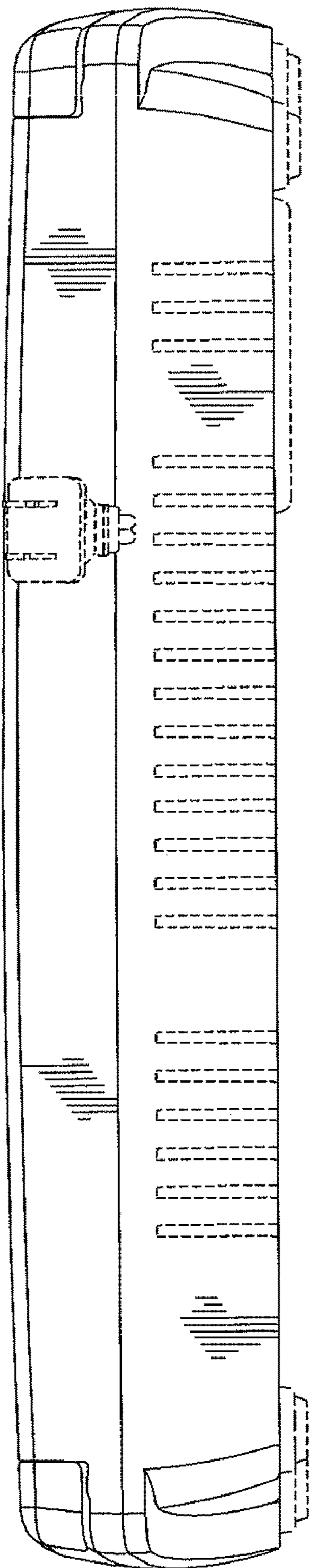


FIG 5

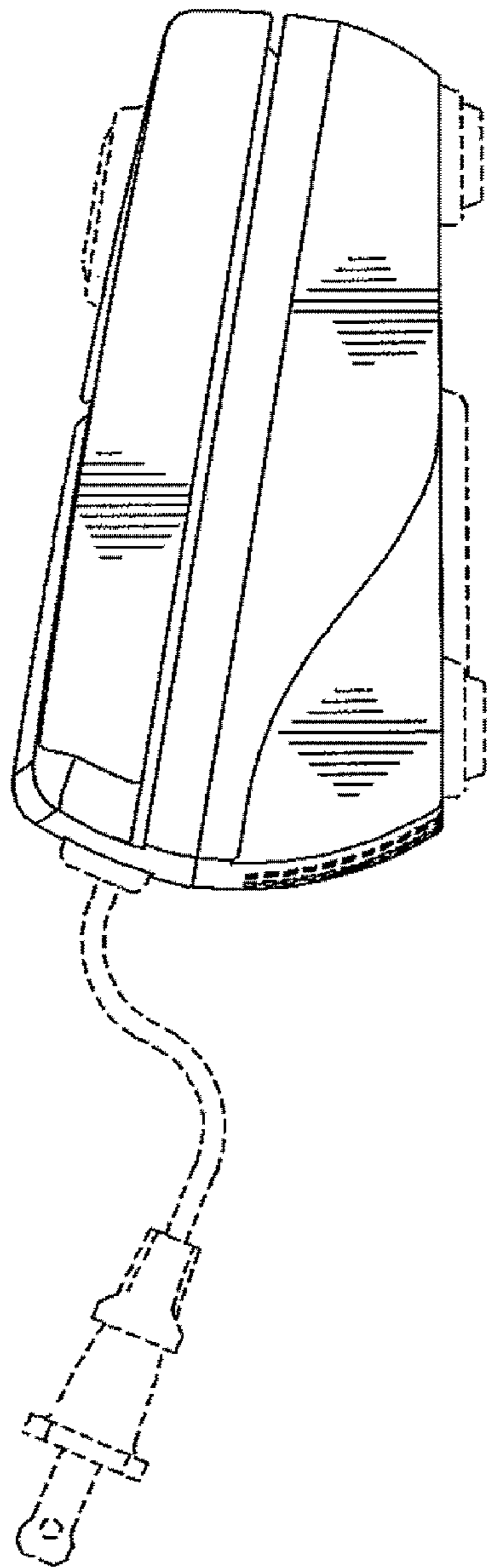


FIG 6

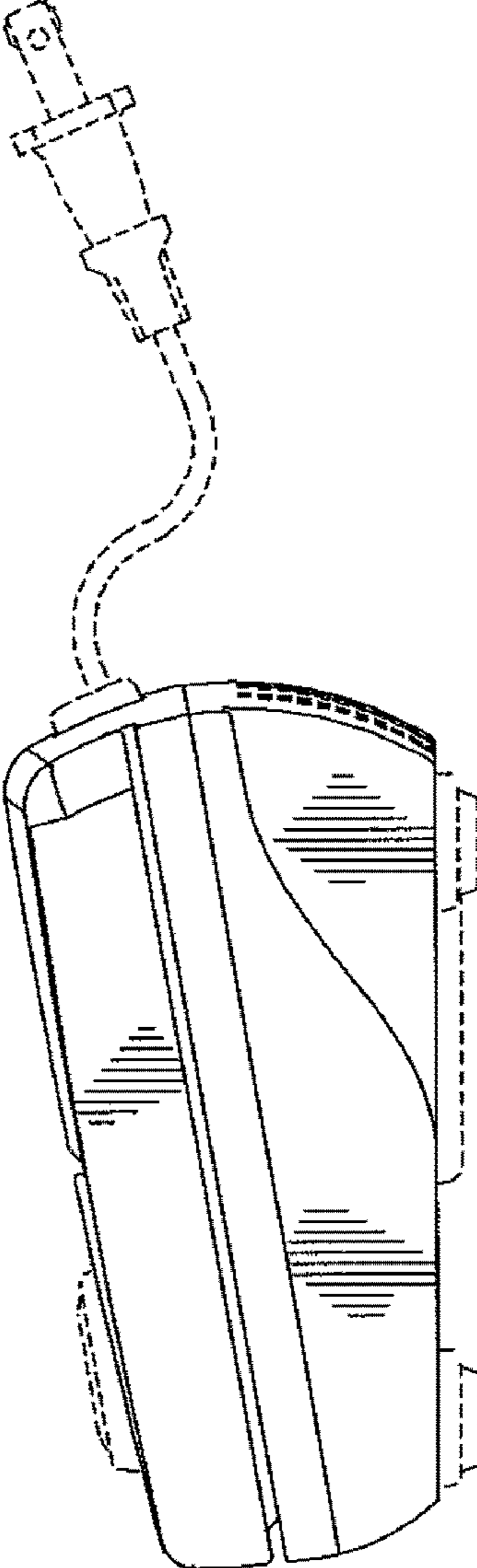


FIG 7