



US00D633108S

(12) **United States Design Patent**
Hamada

(10) **Patent No.:** **US D633,108 S**

(45) **Date of Patent:** **** Feb. 22, 2011**

(54) **PISTON FOR COMPRESSOR**

D609,247 S * 2/2010 Naegele et al. D15/5

(75) Inventor: **Naohiro Hamada**, Kyoto (JP)

FOREIGN PATENT DOCUMENTS

(73) Assignee: **Panasonic Corporation**, Osaka (JP)

CN 3634460D 4/2007

(**) Term: **14 Years**

* cited by examiner

(21) Appl. No.: **29/364,948**

Primary Examiner—Ralf Seifert

(22) Filed: **Jun. 30, 2010**

(74) *Attorney, Agent, or Firm*—Brinks Hofer Gilson & Lione

(30) **Foreign Application Priority Data**

(57) **CLAIM**

Mar. 15, 2010 (JP) 2010-006226

I claim the ornamental design for a piston for compressor, as shown and described.

(51) **LOC (9) Cl.** **15-02**

DESCRIPTION

(52) **U.S. Cl.** **D15/9**

FIG. 1 is a top perspective view of a piston for compressor of the present invention;

(58) **Field of Classification Search** D15/7-9;

FIG. 2 is a front view thereof;

D23/231, 232, 225; 417/410.1, 359, 415-416,

FIG. 3 is a first side view thereof;

417/234, 321, 265, 405; 123/669; 92/172

FIG. 4 is a second side view thereof;

See application file for complete search history.

FIG. 5 is a rear view thereof;

(56) **References Cited**

FIG. 6 is a top view thereof; and,

U.S. PATENT DOCUMENTS

FIG. 7 is a bottom view thereof.

D122,922 S * 10/1940 Flammang D15/5

The broken line showing of piston for compressor is included for the purpose of illustrating environment and forms no part of the claimed design.

2,737,427 A * 3/1956 Venner et al. 92/229

D287,599 S * 1/1987 Murray D15/5

D399,212 S * 10/1998 Roderweiss et al. D15/5

D515,590 S * 2/2006 Freitas D15/7

D576,179 S * 9/2008 Kondo et al. D15/9

1 Claim, 2 Drawing Sheets

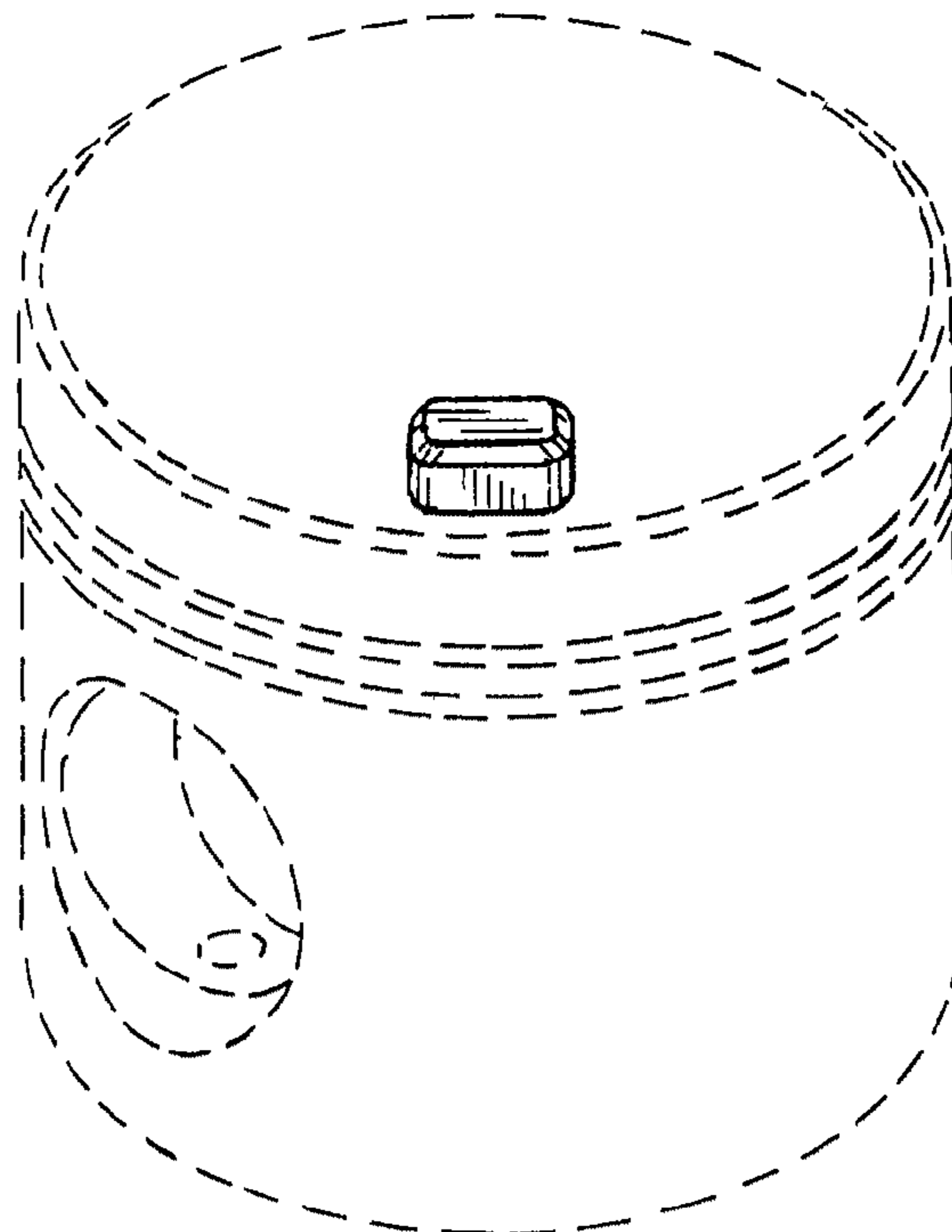


FIG. 1

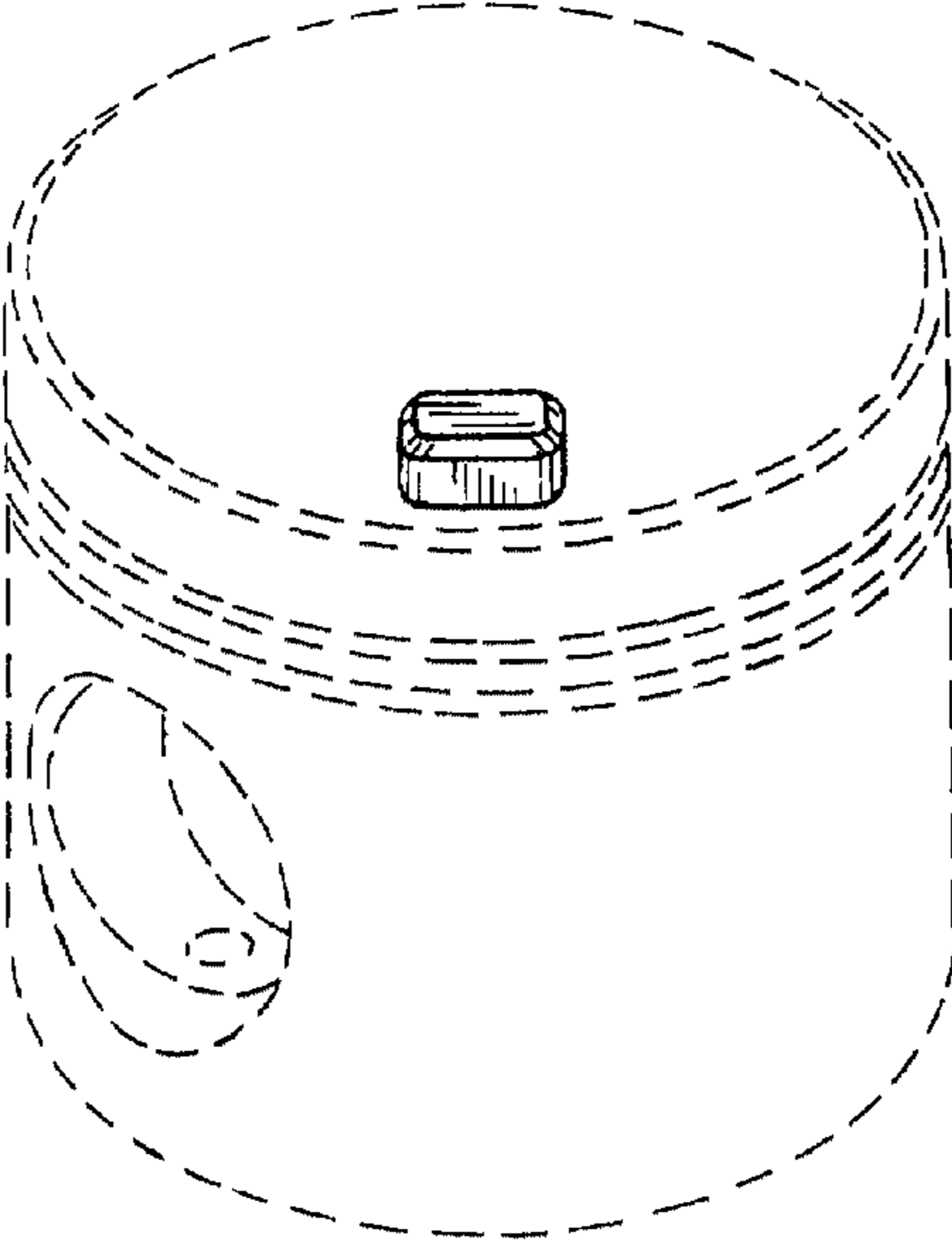


FIG. 2

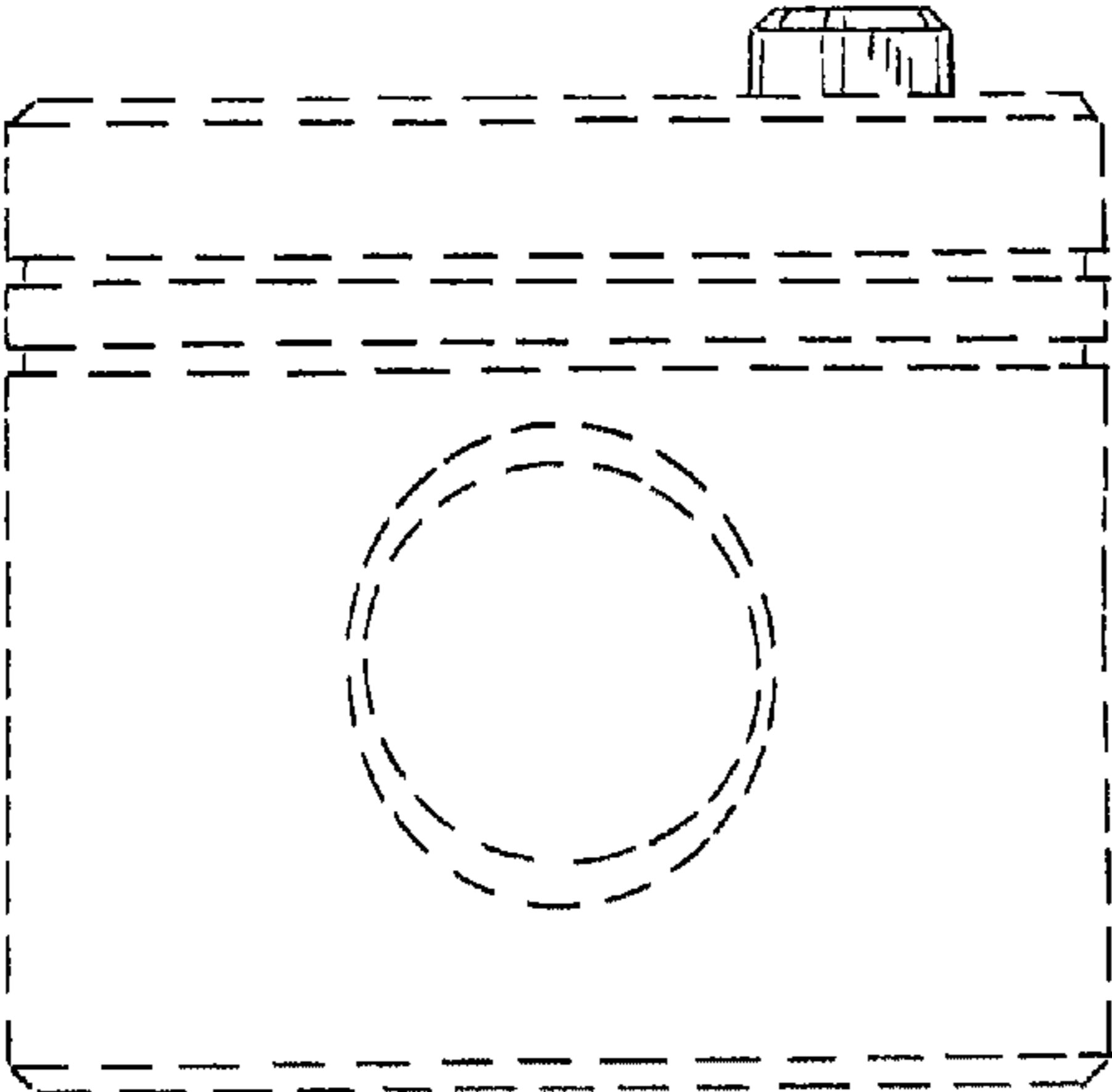


FIG. 3

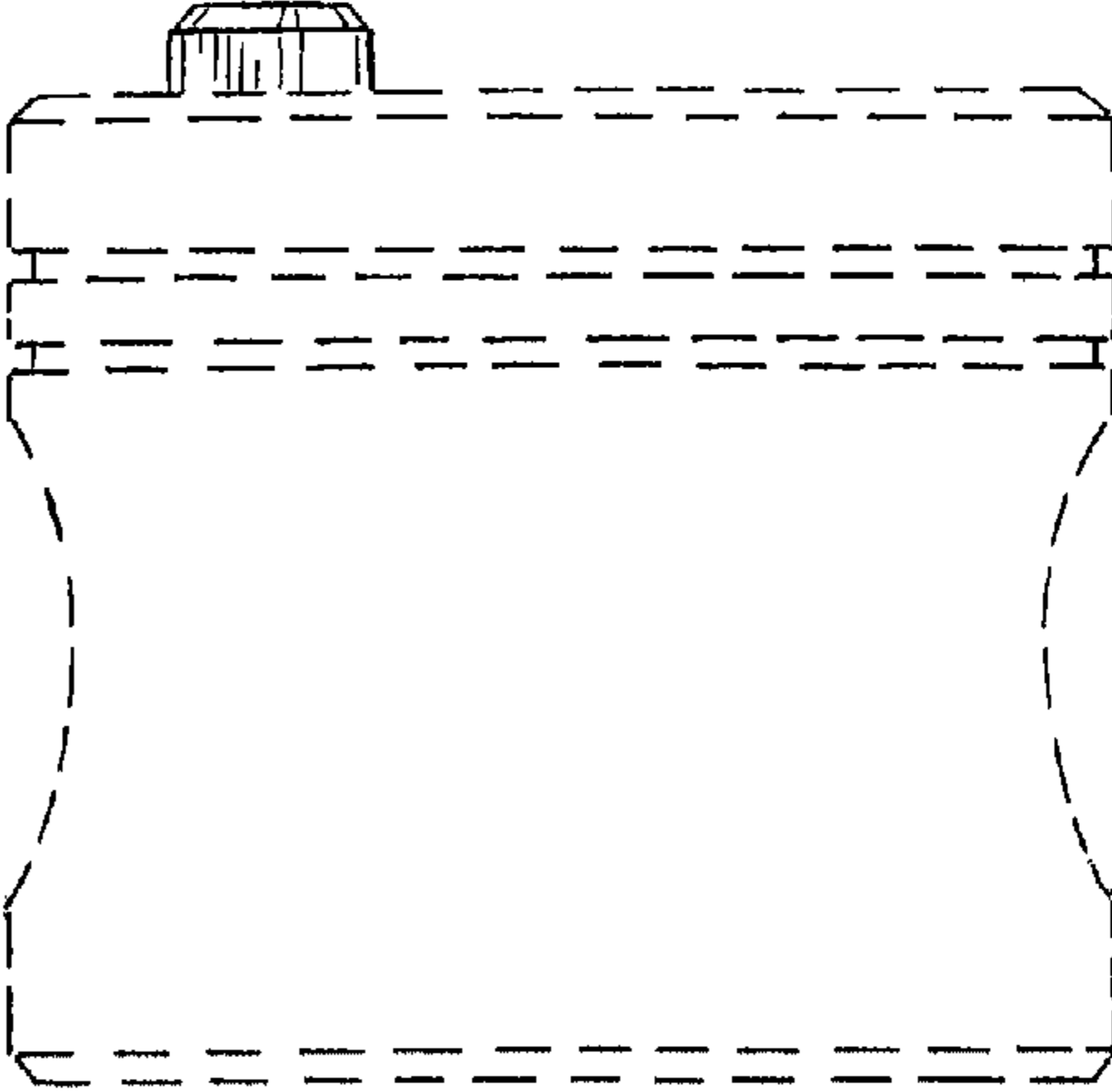


FIG. 4

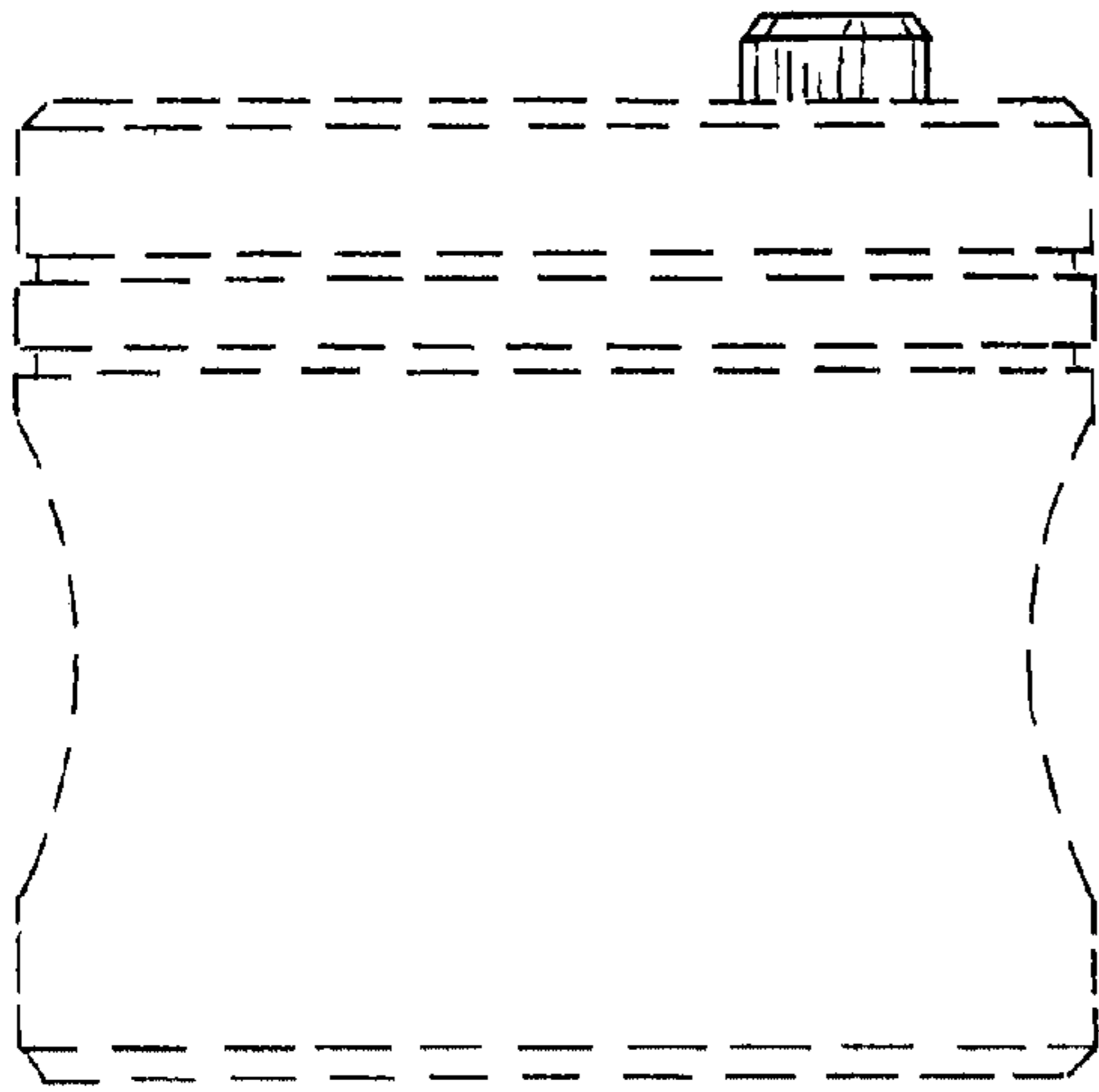


FIG. 5

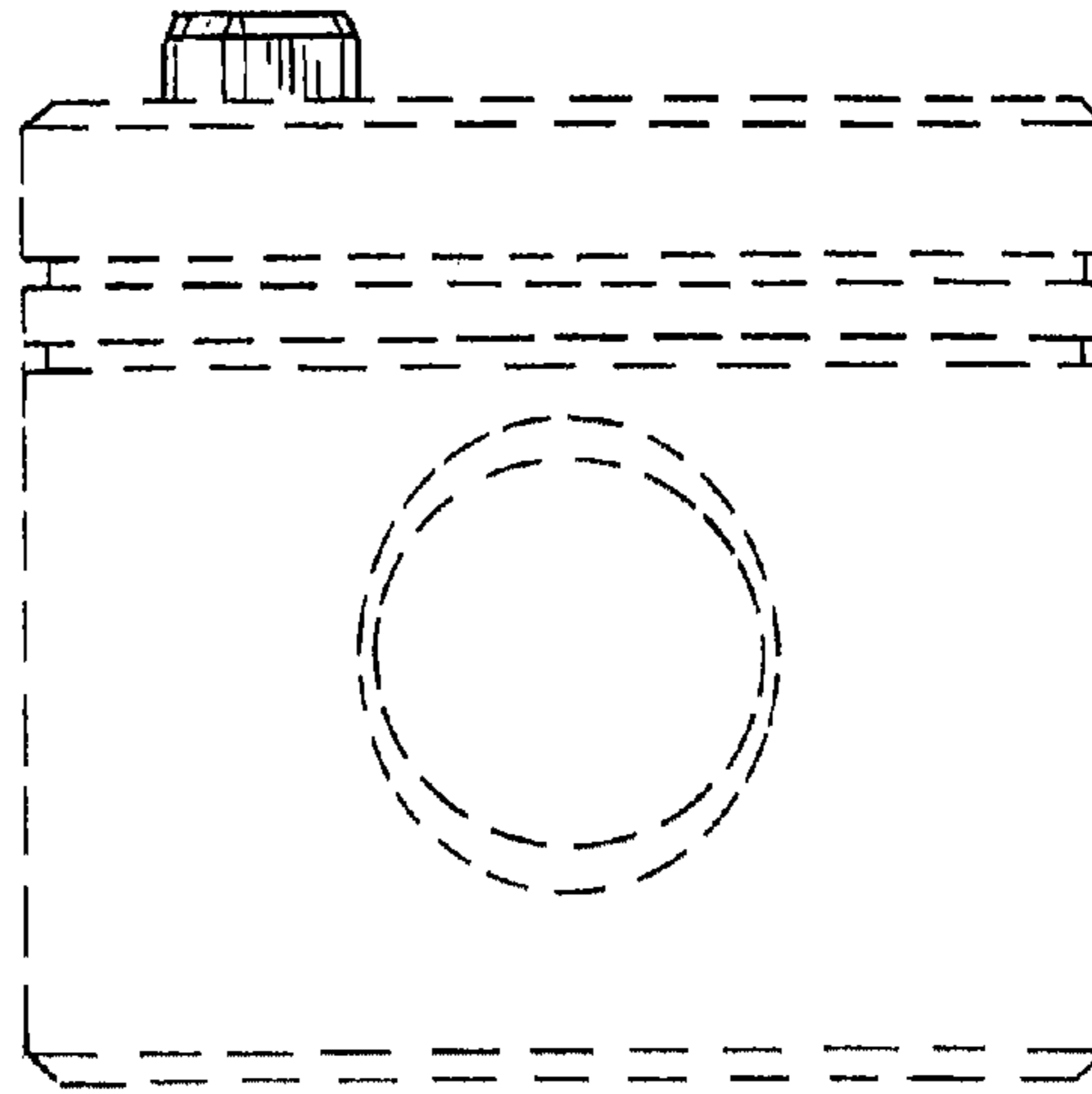


FIG. 6

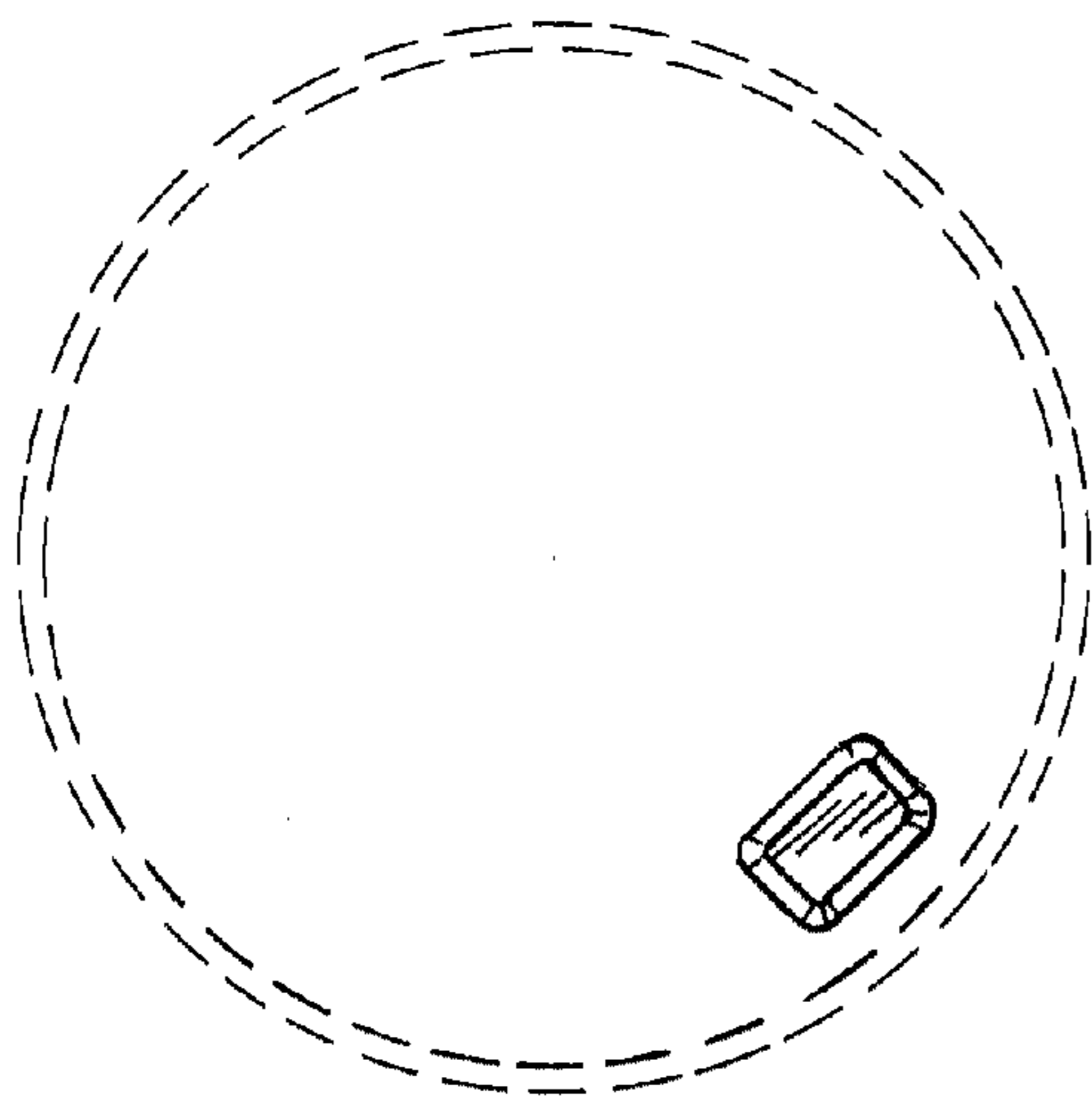


FIG. 7

