



US00D633106S

(12) **United States Design Patent**  
**Le et al.**

(10) **Patent No.:** **US D633,106 S**  
(45) **Date of Patent:** **\*\* Feb. 22, 2011**

(54) **JET PUMP HOUSING**

(75) Inventors: **Kevin D. Le**, Richland Hills, TX (US);  
**Thanh Le**, Grand Prairie, TX (US)

(73) Assignee: **Luraco Technologies, Inc.**, Arlington,  
TX (US)

(\*\*) Term: **14 Years**

(21) Appl. No.: **29/367,478**

(22) Filed: **Aug. 9, 2010**

**Related U.S. Application Data**

(60) Division of application No. 29/359,241, filed on Apr. 7, 2010, now Pat. No. Des. 622,736, and a continuation-in-part of application No. 12/543,736, filed on Aug. 19, 2009, and a continuation-in-part of application No. 12/405,938, filed on Mar. 17, 2009, now abandoned.

(51) **LOC (9) Cl.** ..... **15-02**

(52) **U.S. Cl.** ..... **D15/7**

(58) **Field of Classification Search** ..... D15/7-9;  
D23/231, 232, 225; 417/410.1, 359, 415-416,  
417/234, 321, 265, 405

See application file for complete search history.

(56) **References Cited**

**U.S. PATENT DOCUMENTS**

D490,819 S \* 6/2004 Wahlberg ..... D15/7  
D574,855 S \* 8/2008 Chu ..... D15/9

\* cited by examiner

*Primary Examiner*—Ralf Seifert

(74) *Attorney, Agent, or Firm*—Haynes and Boone, LLP

(57) **CLAIM**

The ornamental design for a jet pump housing, as shown and described.

**DESCRIPTION**

FIG. 1 is a perspective view of a jet pump housing showing our new design;

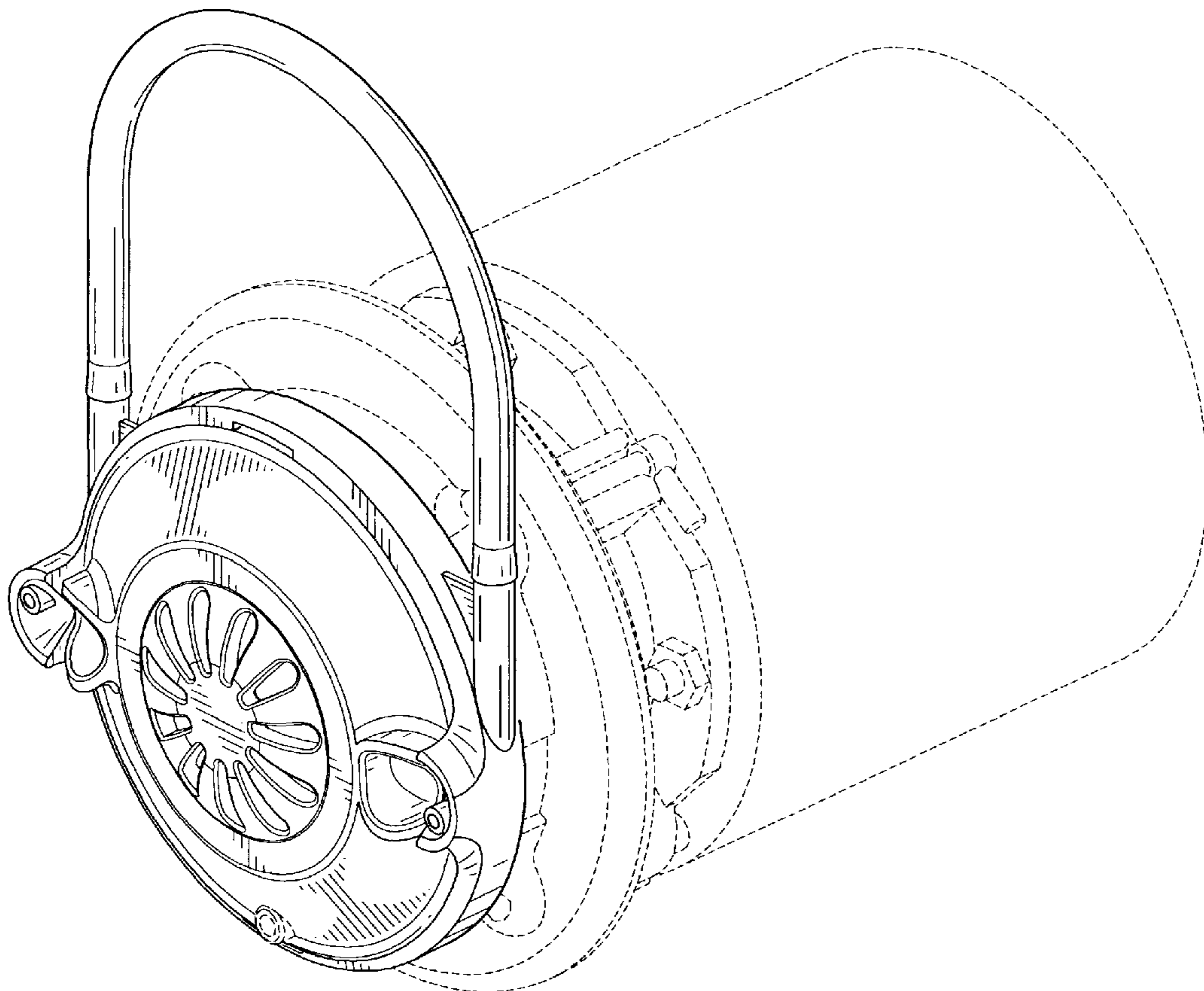
FIG. 2 is a front elevational view;

FIG. 3 is a right side elevational view;

FIG. 4 is a top plan view; and,

FIG. 5 is a bottom plan view.

**1 Claim, 3 Drawing Sheets**



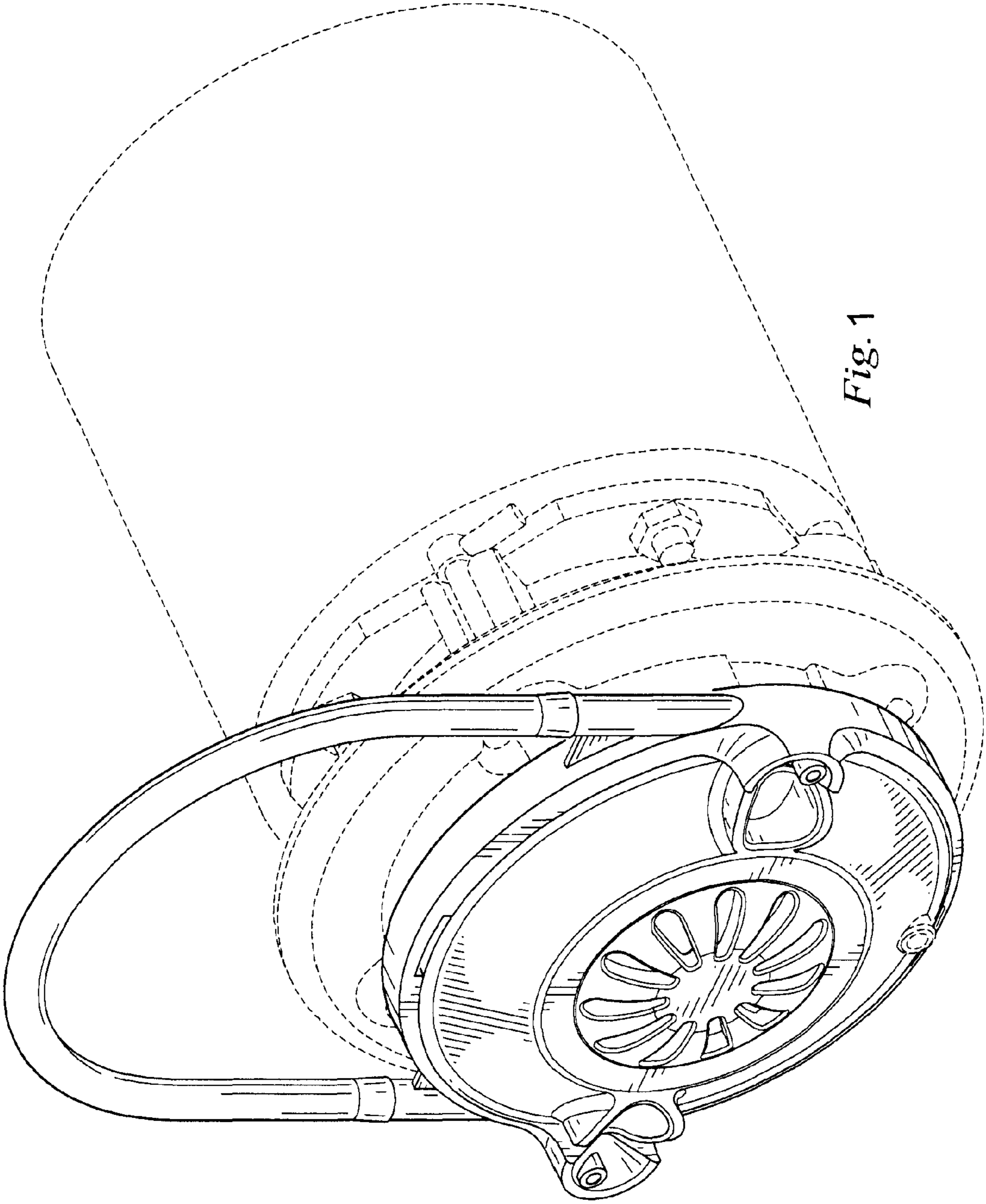


Fig. 1

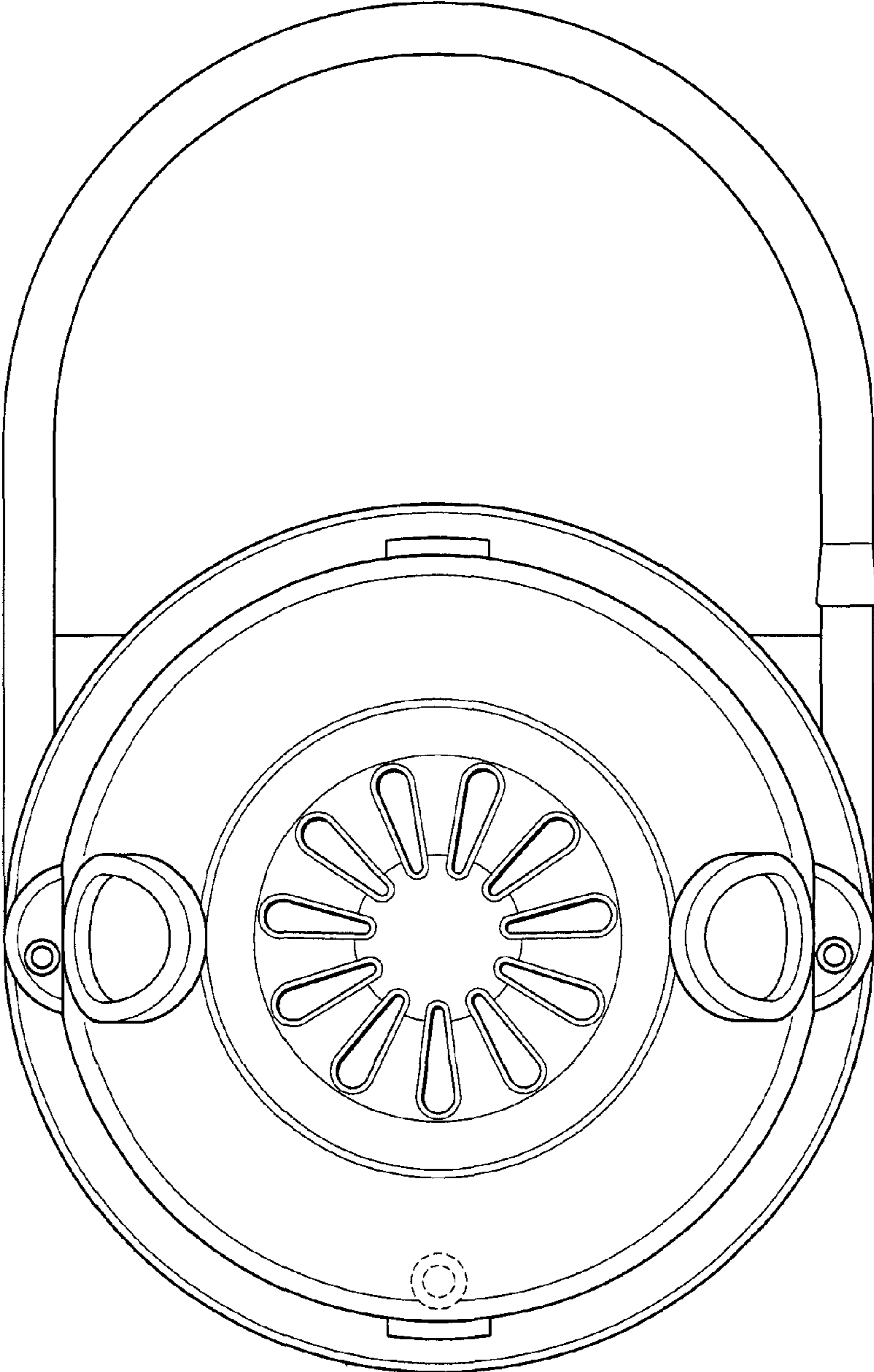


Fig. 2

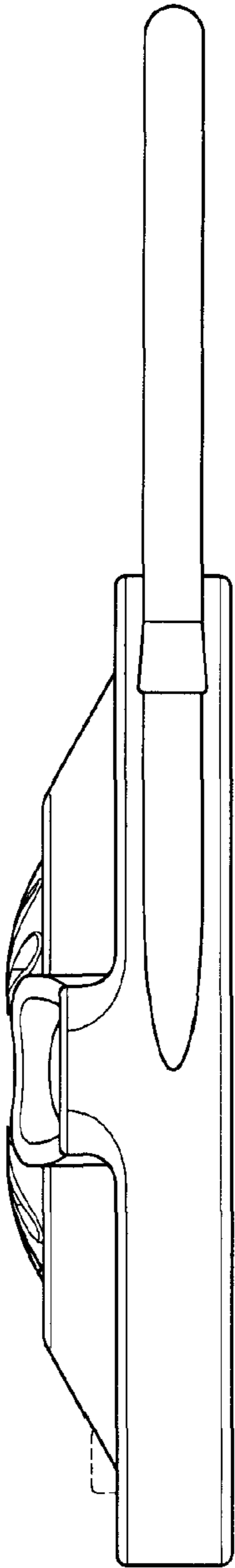
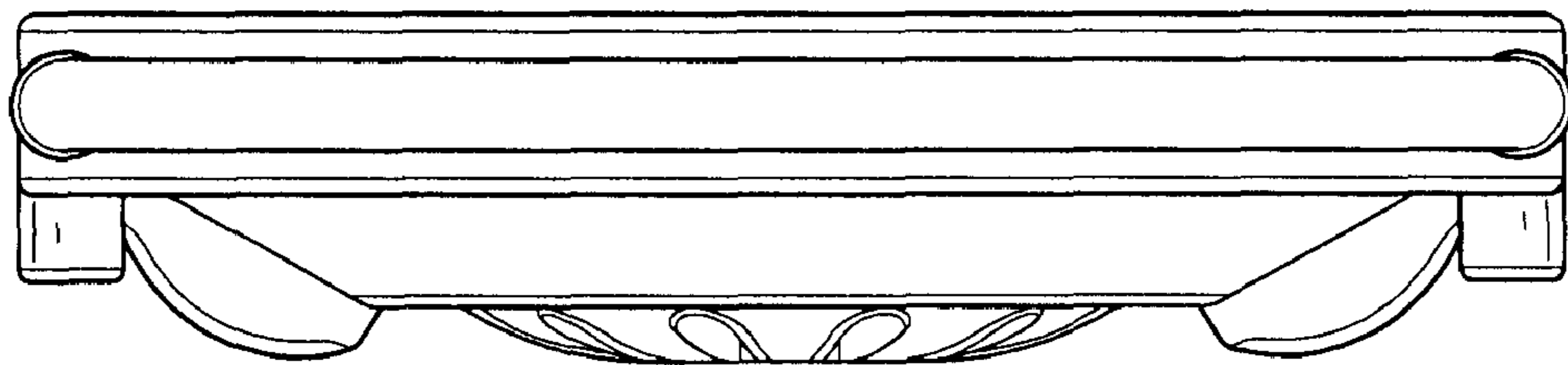
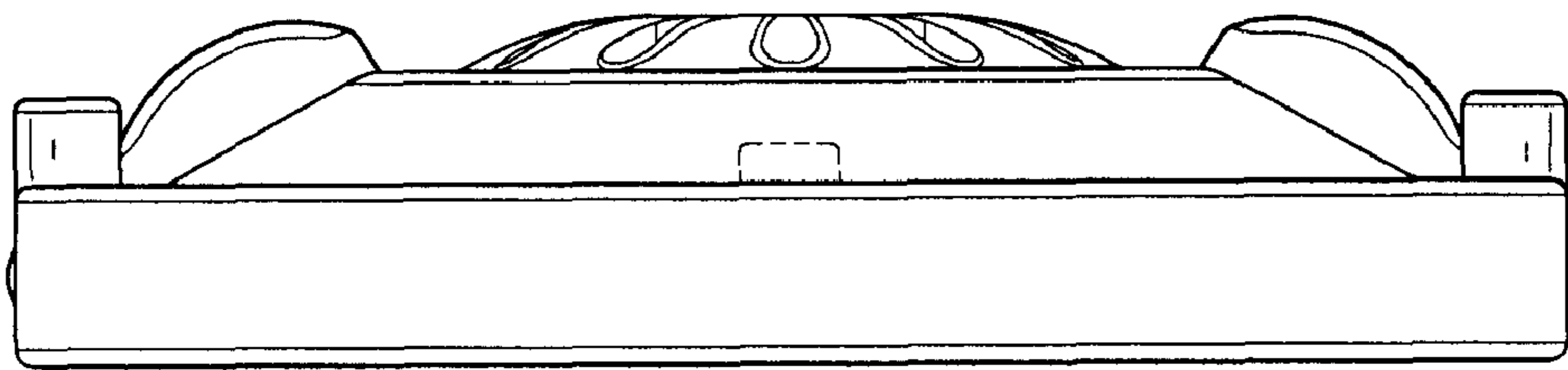


Fig. 3



*Fig. 4*



*Fig. 5*