



US00D633102S

(12) **United States Design Patent**  
**Magri**

(10) **Patent No.:** **US D633,102 S**  
(45) **Date of Patent:** **\*\* Feb. 22, 2011**

(54) **PISTON PUMP**

(75) Inventor: **Maurizio Magri**, Modena (IT)

(73) Assignee: **Annovi Reverberi S.p.A.**, Modena (IT)

(\*\*) Term: **14 Years**

(21) Appl. No.: **29/360,316**

(22) Filed: **Apr. 23, 2010**

(30) **Foreign Application Priority Data**

Oct. 30, 2009 (EM) ..... 001630898

(51) **LOC (9) Cl.** ..... **15-02**

(52) **U.S. Cl.** ..... **D15/7**

(58) **Field of Classification Search** ..... D15/7-9;  
D23/231, 232, 225; 417/60, 235, 265, 321,  
417/355, 358, 363, 359, 410.1, 415-416,  
417/405, 900; 60/408, 412; 184/26-37;  
415/140-147; 123/495, 509

See application file for complete search history.

(56) **References Cited**

**U.S. PATENT DOCUMENTS**

D245,779 S \* 9/1977 Nobata ..... D15/9  
D250,113 S \* 10/1978 Nobata ..... D15/9  
D536,005 S \* 1/2007 Reverberi ..... D15/5  
D538,824 S \* 3/2007 Tojo ..... D15/7

D613,765 S \* 4/2010 Reverberi et al. .... D15/5  
D613,766 S \* 4/2010 Reverberi et al. .... D15/5  
D613,769 S \* 4/2010 Kitamura et al. .... D15/7  
D613,770 S \* 4/2010 Kitamura et al. .... D15/7  
D613,771 S \* 4/2010 Gaertner ..... D15/7  
D616,467 S \* 5/2010 Reverberi et al. .... D15/5

\* cited by examiner

*Primary Examiner*—Ralf Seifert

(74) *Attorney, Agent, or Firm*—Browdy and Neimark, PLLC

(57) **CLAIM**

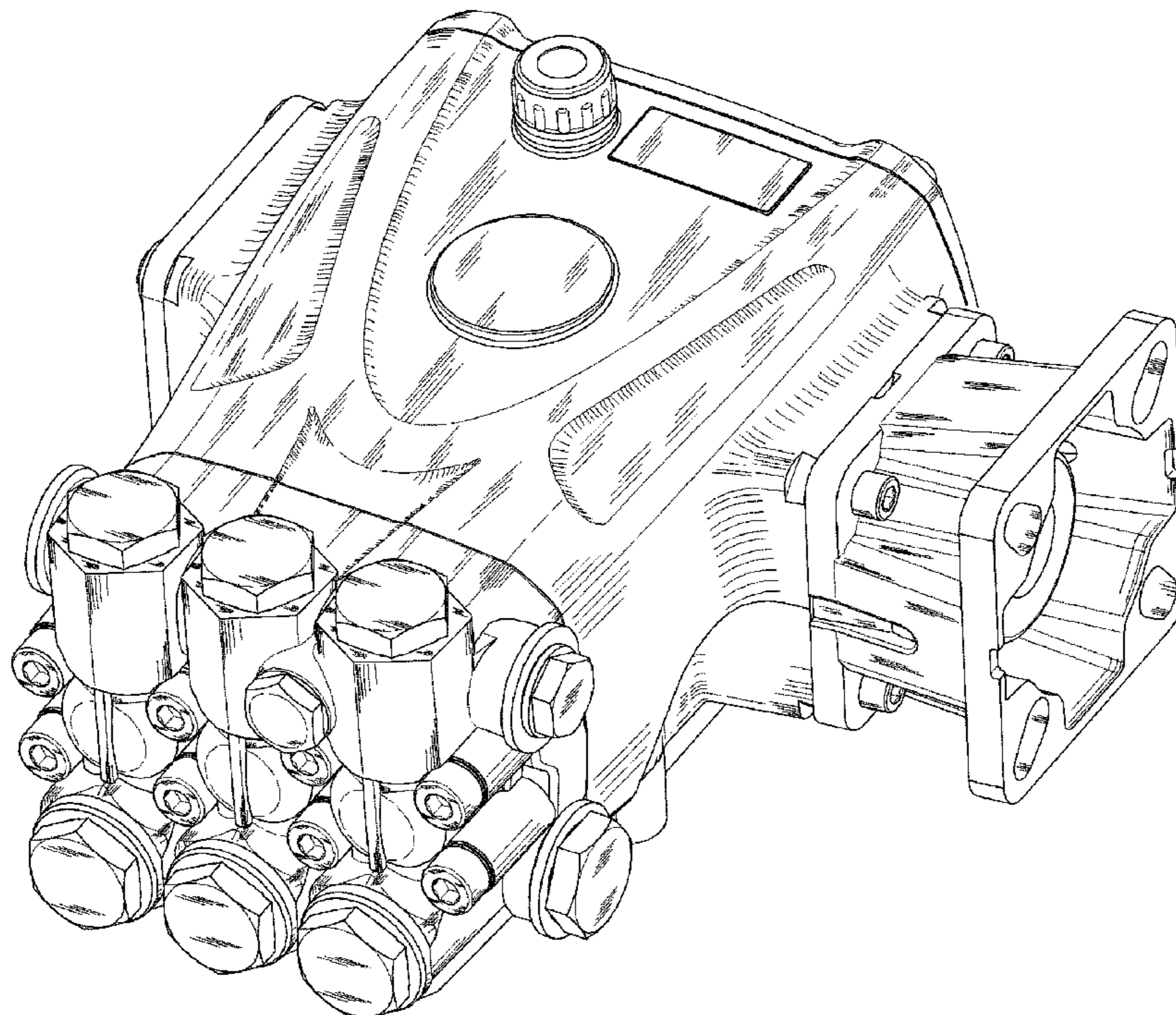
The ornamental design for “piston pump,” as shown and described.

**DESCRIPTION**

FIG. 1 is a front view of a first embodiment;  
FIG. 2 is a rear view of the first embodiment;  
FIG. 3 is a view from the lower end of FIG. 1;  
FIG. 4 is a view from the upper end of FIG. 1;  
FIG. 5 is a view from the right end of FIG. 1;  
FIG. 6 is a view from the left end of FIG. 1; and,  
FIG. 7 is a perspective view of the embodiment.

The broken lines are included for the purpose of illustrating elements of the piston pump that form no part of the claimed design.

**1 Claim, 7 Drawing Sheets**



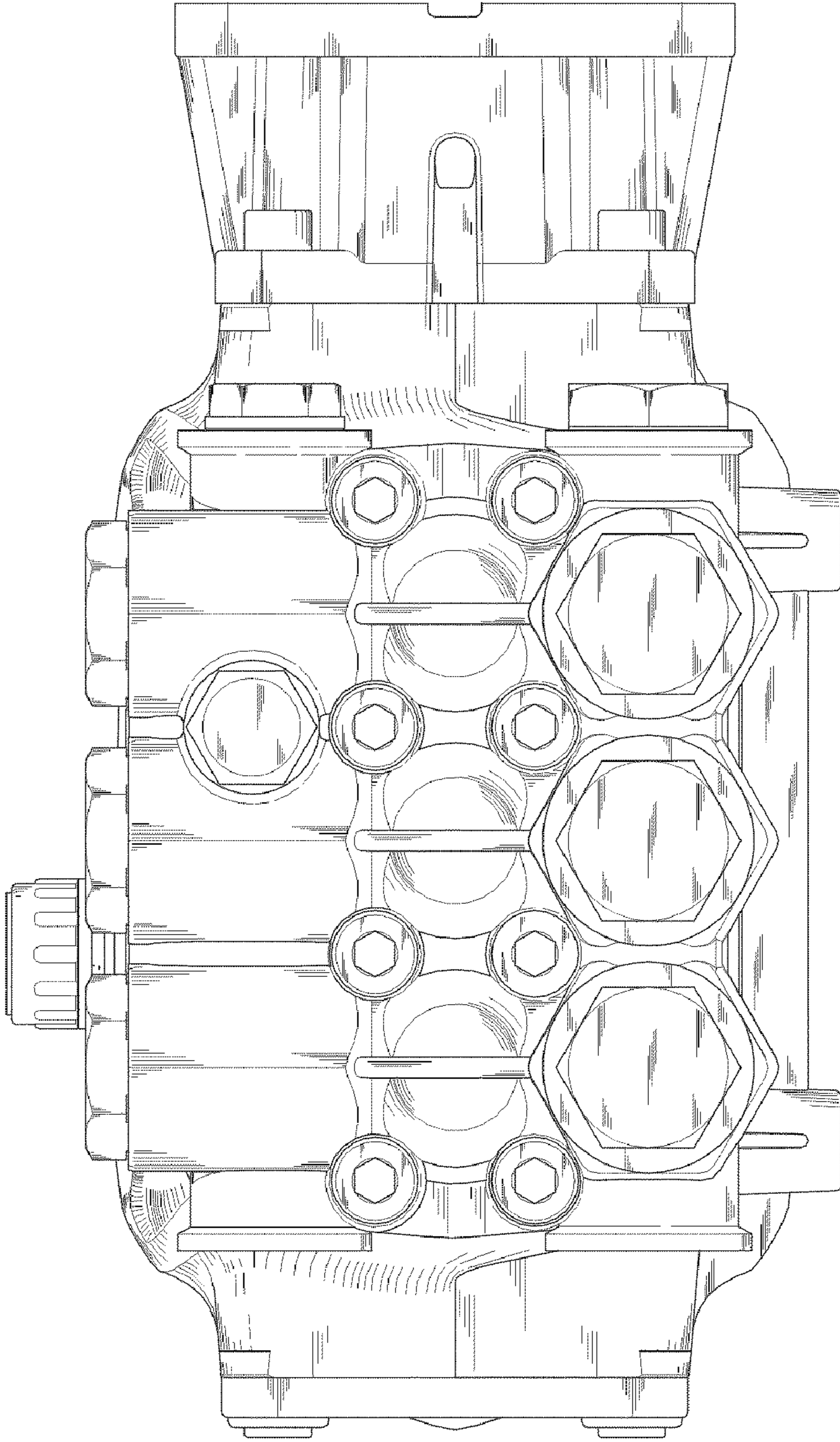


FIG.1

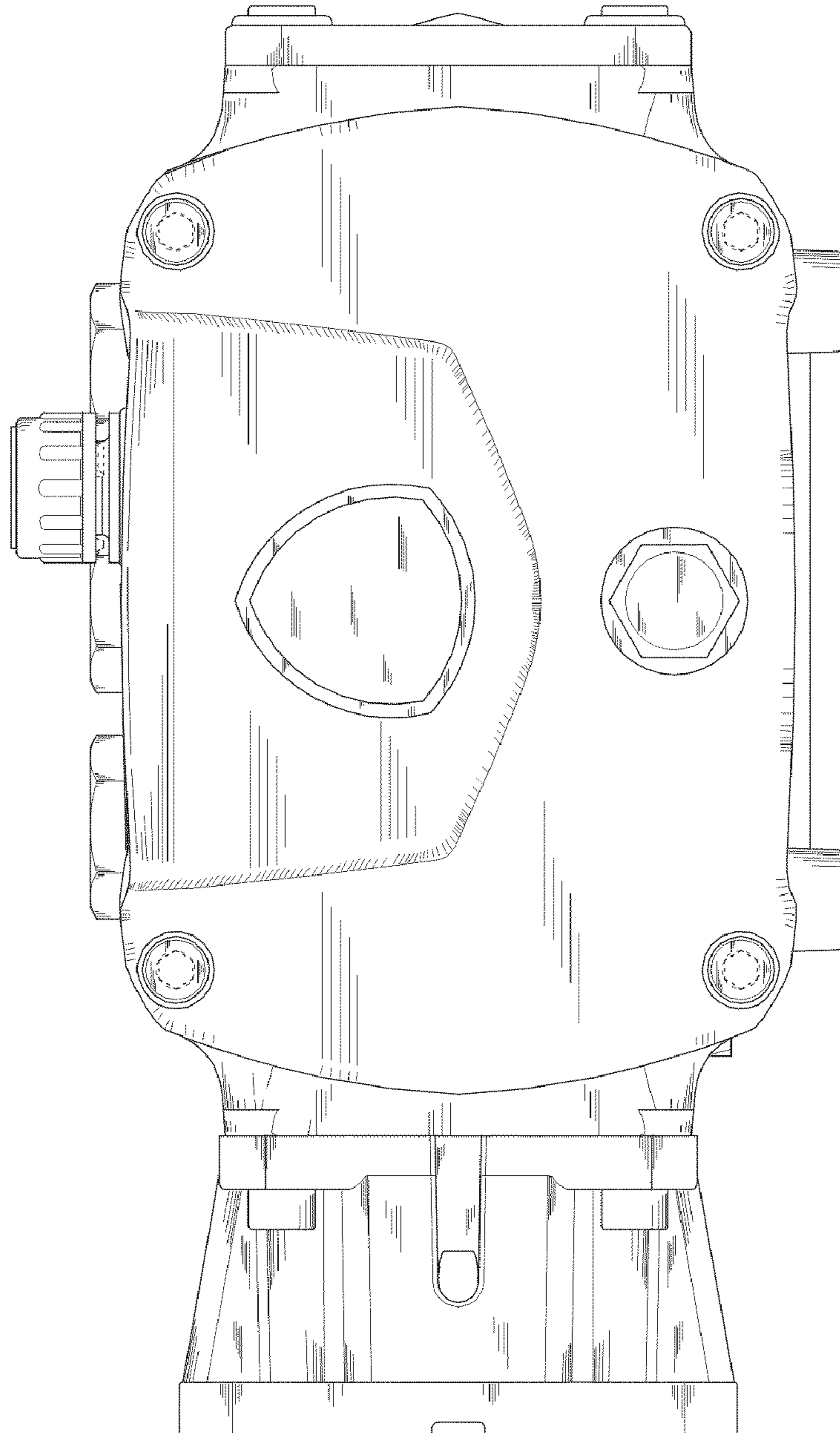


FIG. 2

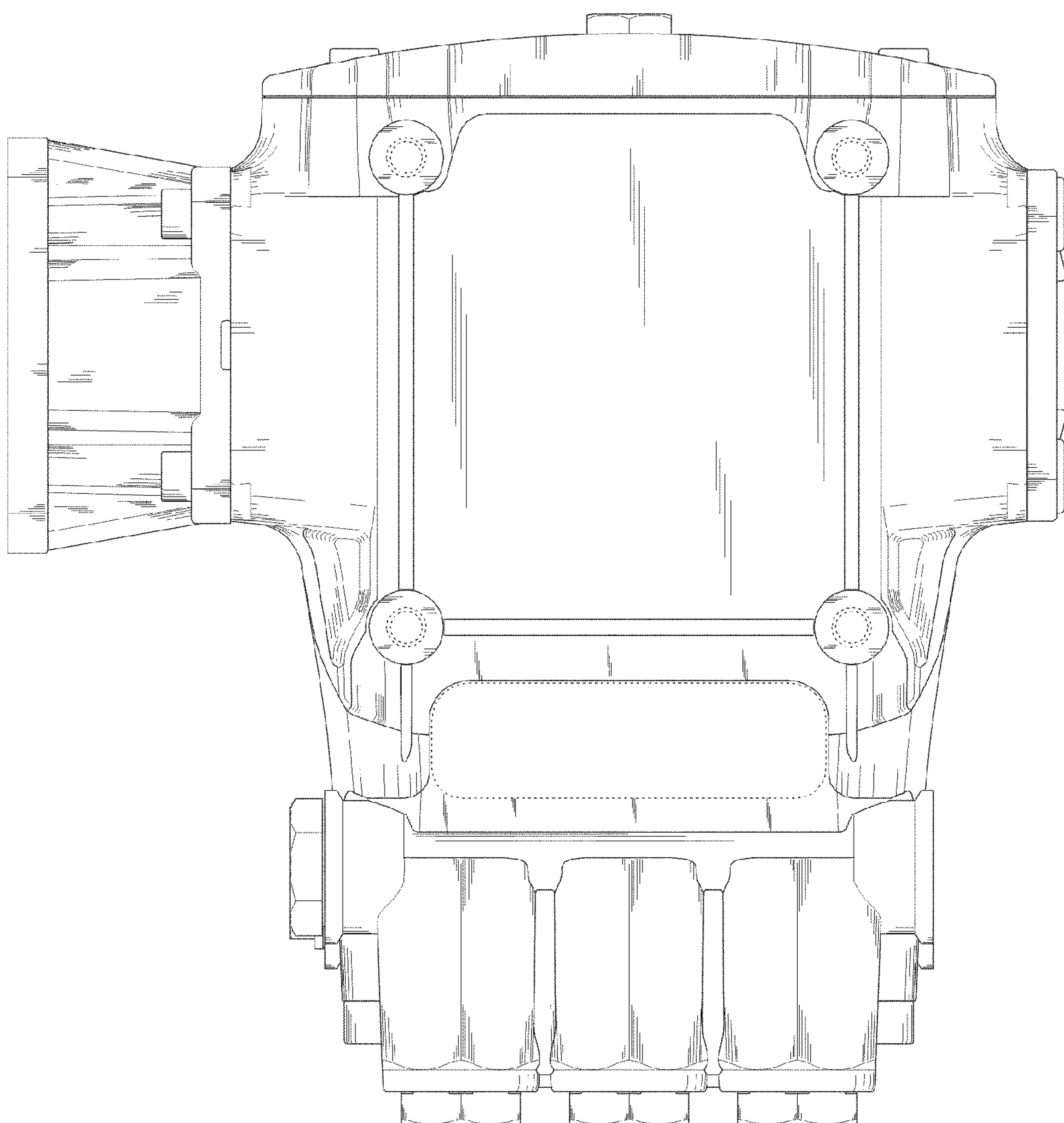


FIG. 3

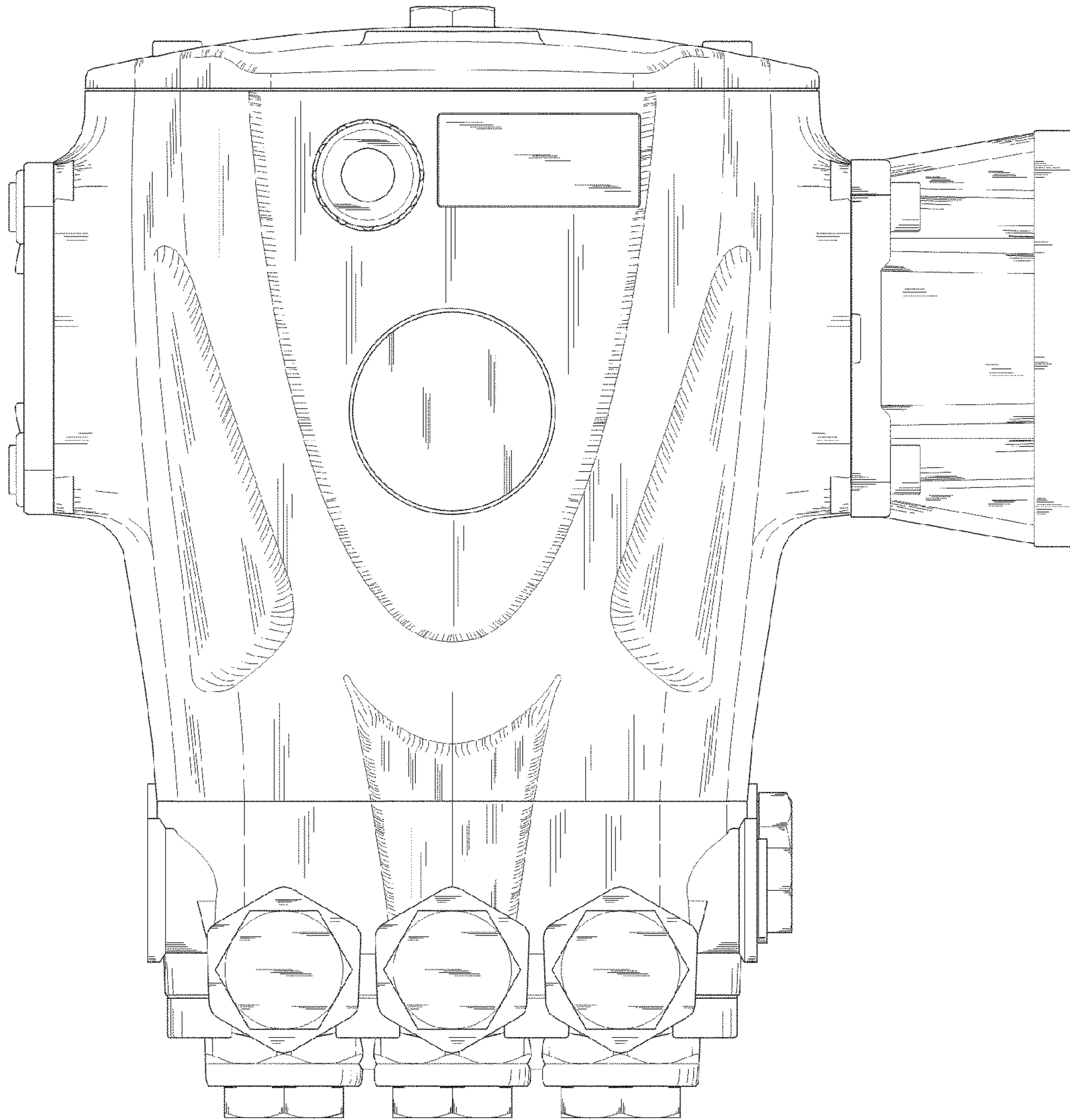


FIG. 4

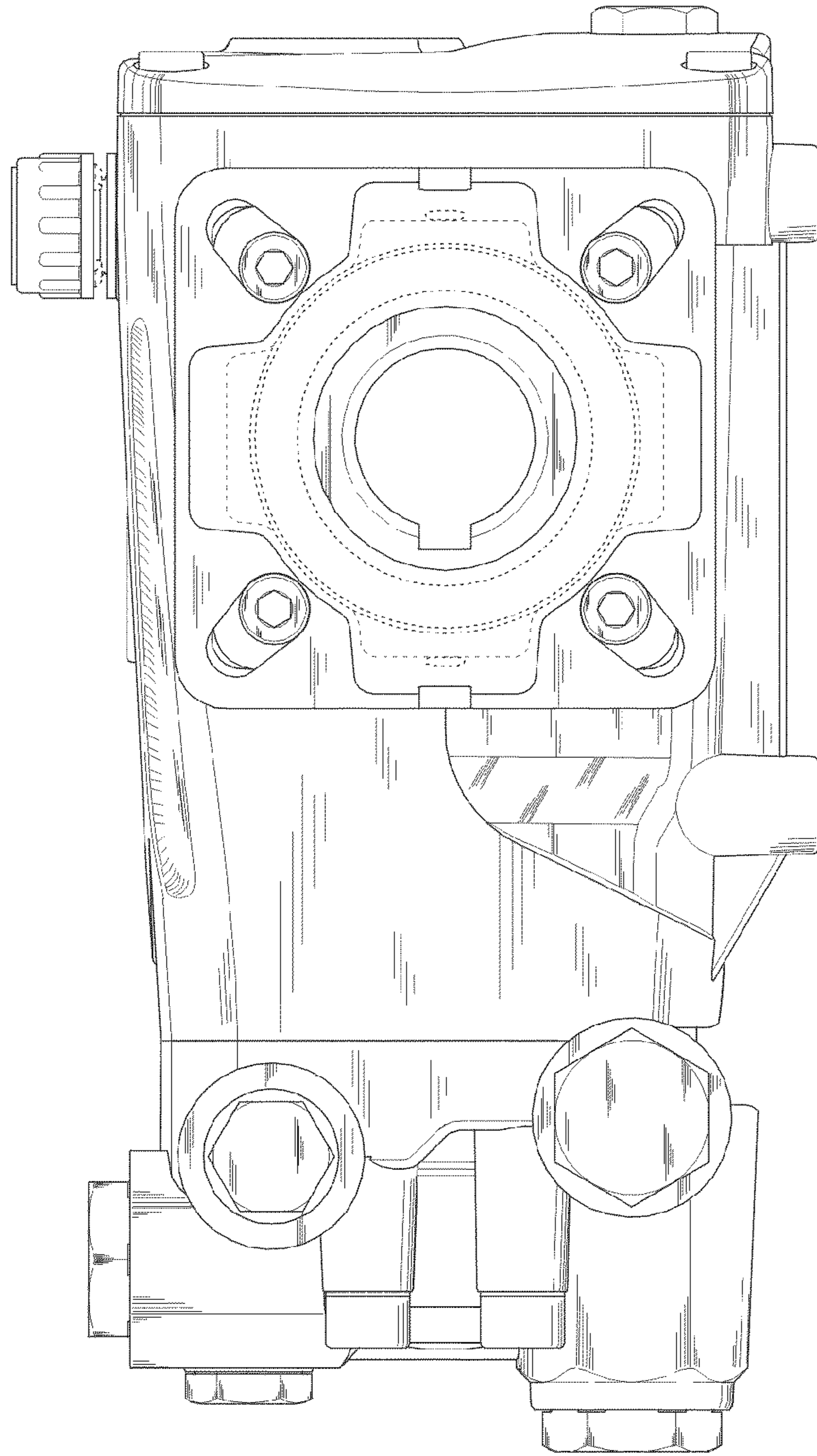


FIG. 5

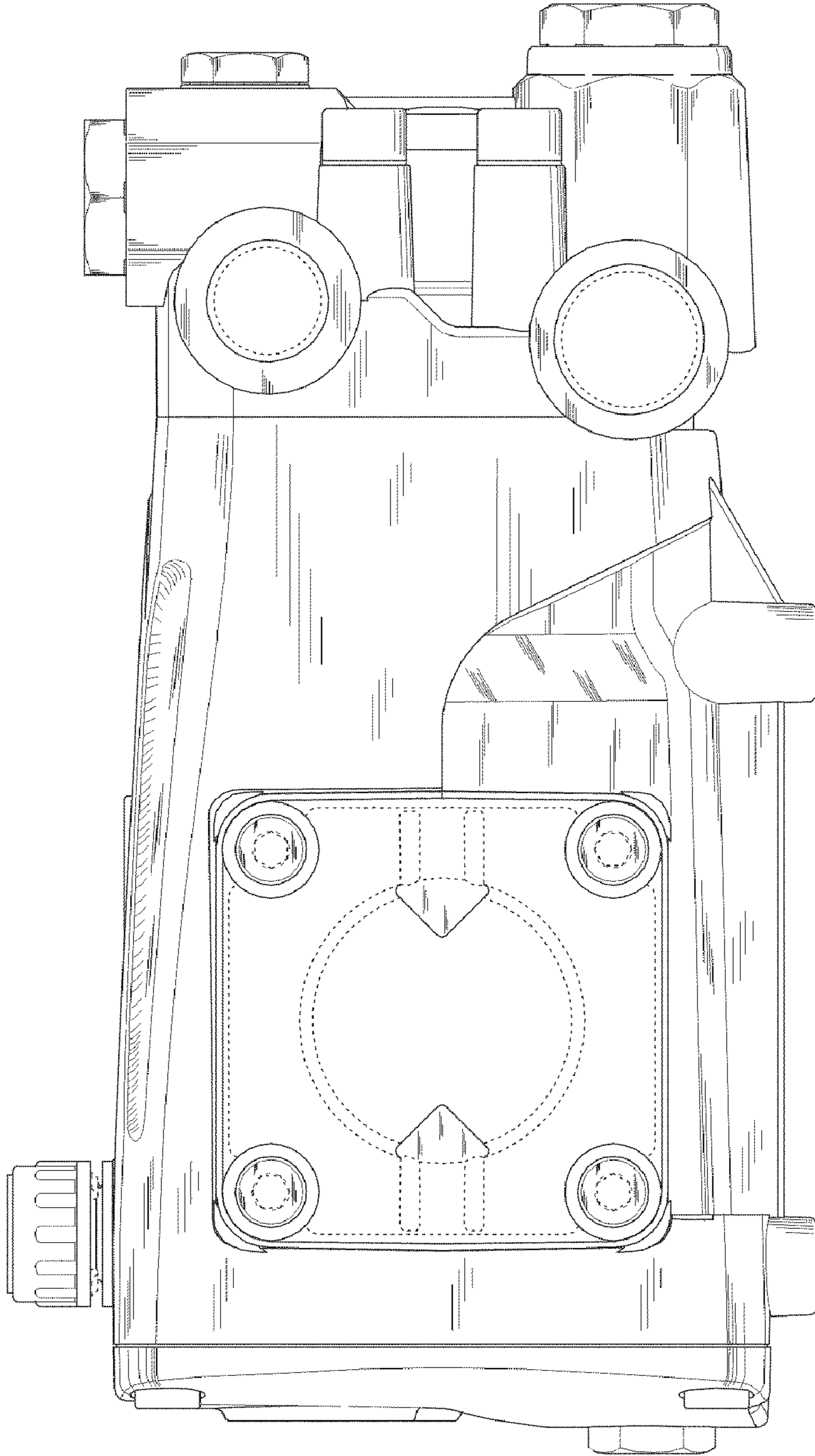


FIG. 6

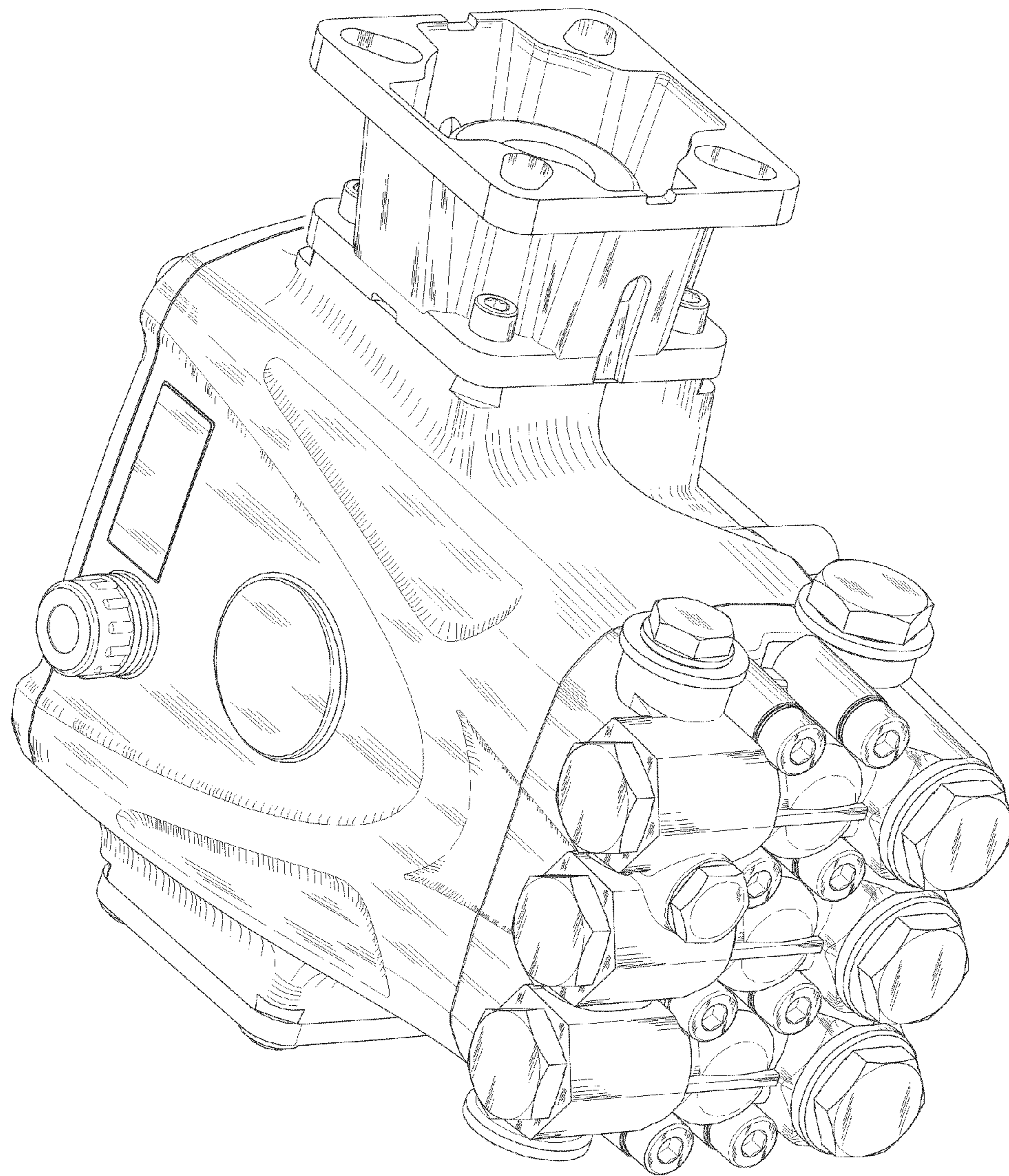


FIG. 7