



US00D633100S

(12) **United States Design Patent**  
**Lundberg et al.**

(10) **Patent No.:** **US D633,100 S**

(45) **Date of Patent:** **\*\* Feb. 22, 2011**

(54) **ELECTRIC MOTOR HOUSING**

D602,958 S \* 10/2009 Herzer ..... D15/1  
D602,959 S \* 10/2009 Herzer ..... D15/1

(75) Inventors: **Hakon Lundberg**, Partille (SE); **Anders Ek**, Kullavik (SE)

\* cited by examiner

(73) Assignee: **FlexLink Components** (SE)

*Primary Examiner*—T. Chase Nelson

*Assistant Examiner*—Ania K Dworzecka

(\*\*) Term: **14 Years**

(74) *Attorney, Agent, or Firm*—Schwegman, Lundberg & Woessner, P.A.

(21) Appl. No.: **29/357,010**

(57) **CLAIM**

(22) Filed: **Mar. 5, 2010**

The ornamental design for an electric motor housing, as shown and described.

(30) **Foreign Application Priority Data**

Sep. 11, 2009 (EP) ..... 001163943-0001

**DESCRIPTION**

(51) **LOC (9) Cl.** ..... **15-01**

FIG. 1 is a front/top side perspective view of the electric motor housing according to my design;

(52) **U.S. Cl.** ..... **D15/1**

FIG. 2 is a left side view with the top side oriented up thereof;

(58) **Field of Classification Search** ..... D15/1,  
D15/2, 3, 5, 6, 14, 17, 149; 123/22, 41.34,  
123/51 A, 606 R, 52.1, 50 A, 50 B, 54.1,  
123/54.2, 54.4, 54.5, 65 R, 195 R, 195 HC,  
123/657, 311

FIG. 3 is a front view with the top side oriented down thereof;

FIG. 4 is a right side view with the top side oriented to the right thereof;

See application file for complete search history.

FIG. 5 is a back side view with the back side oriented to the left thereof;

(56) **References Cited**

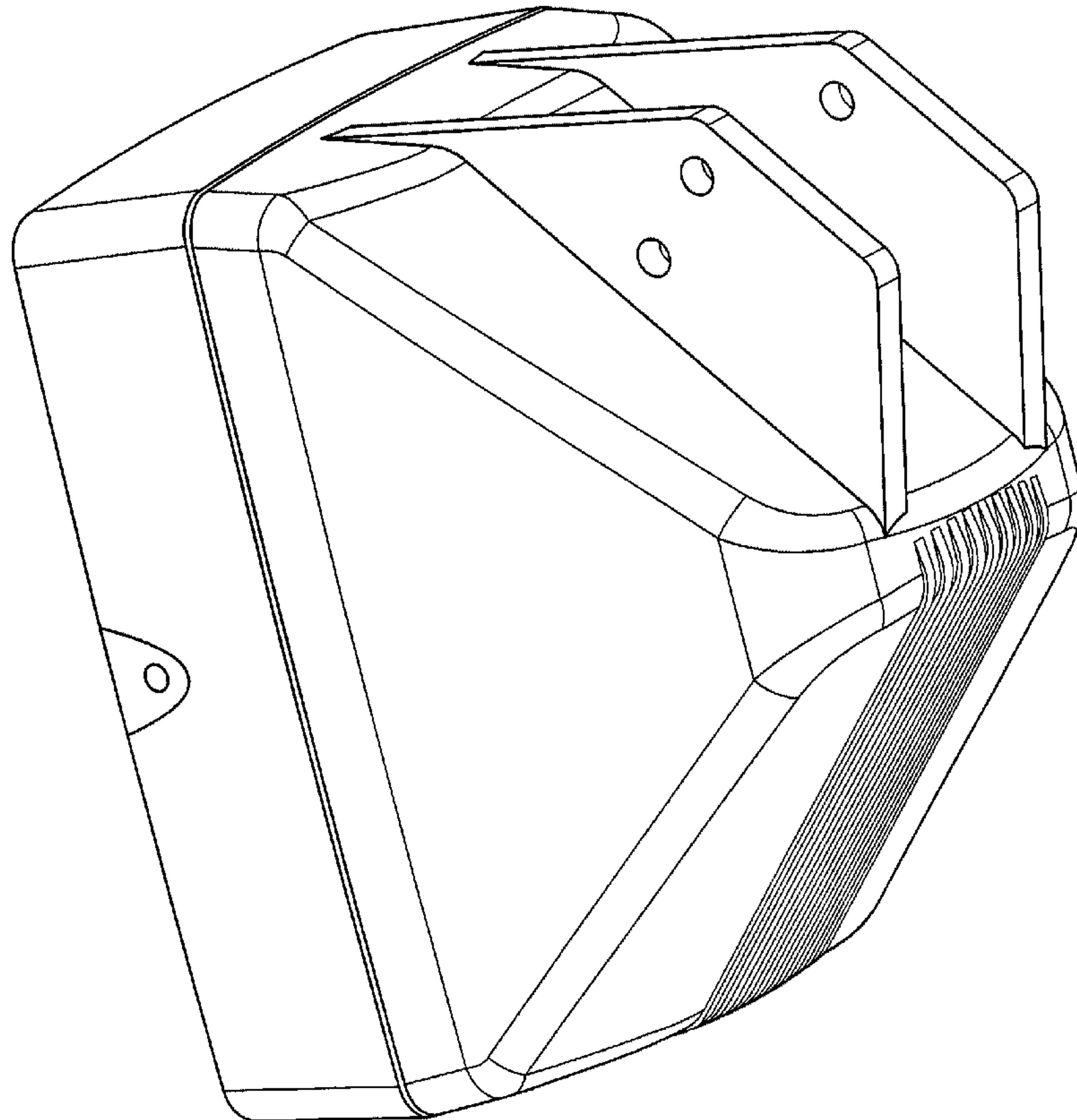
FIG. 6 is a bottom view thereof; and,

FIG. 7 is a top view thereof.

**U.S. PATENT DOCUMENTS**

D602,953 S \* 10/2009 Herzer ..... D15/1

**1 Claim, 7 Drawing Sheets**



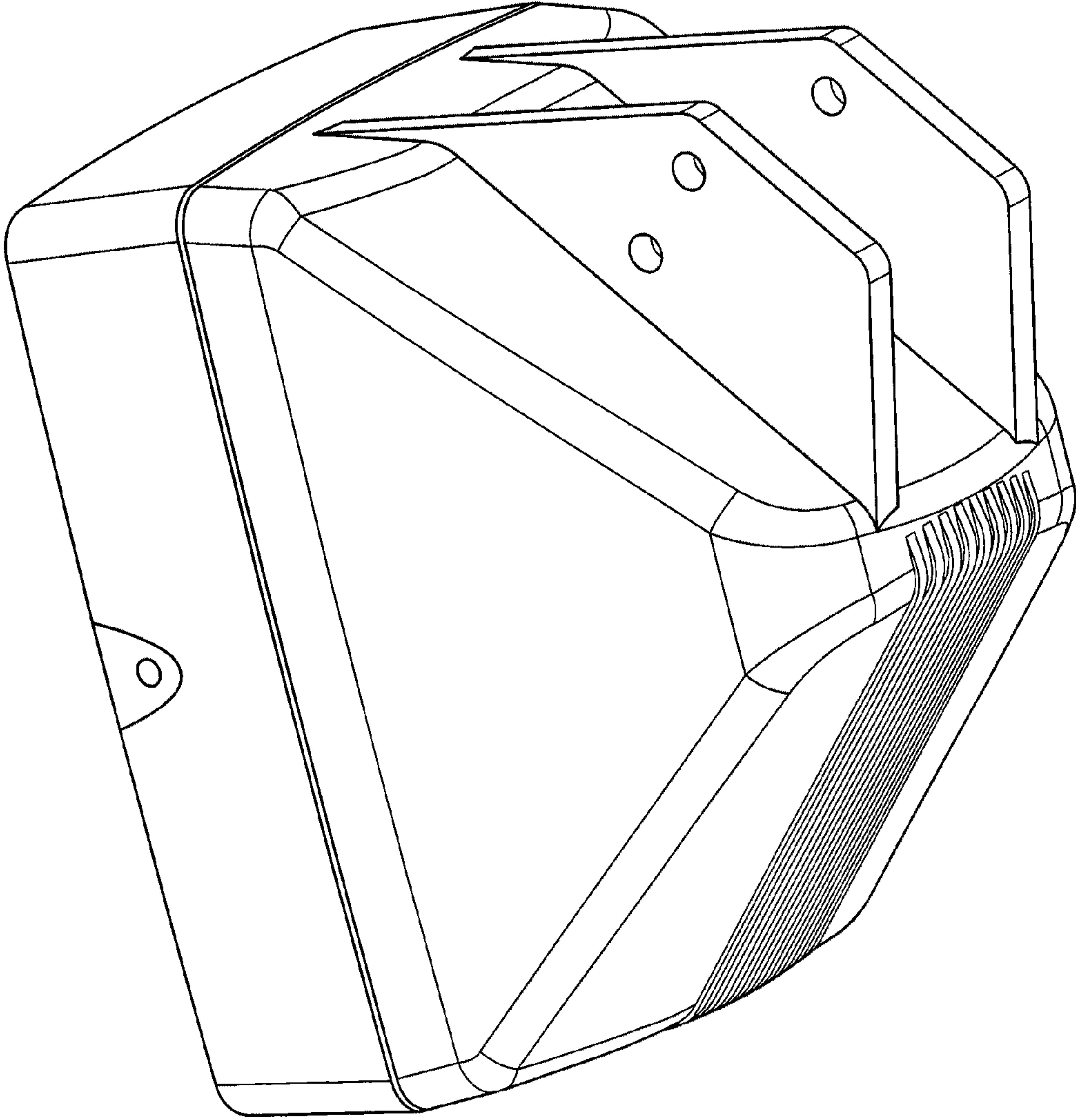


Fig.1

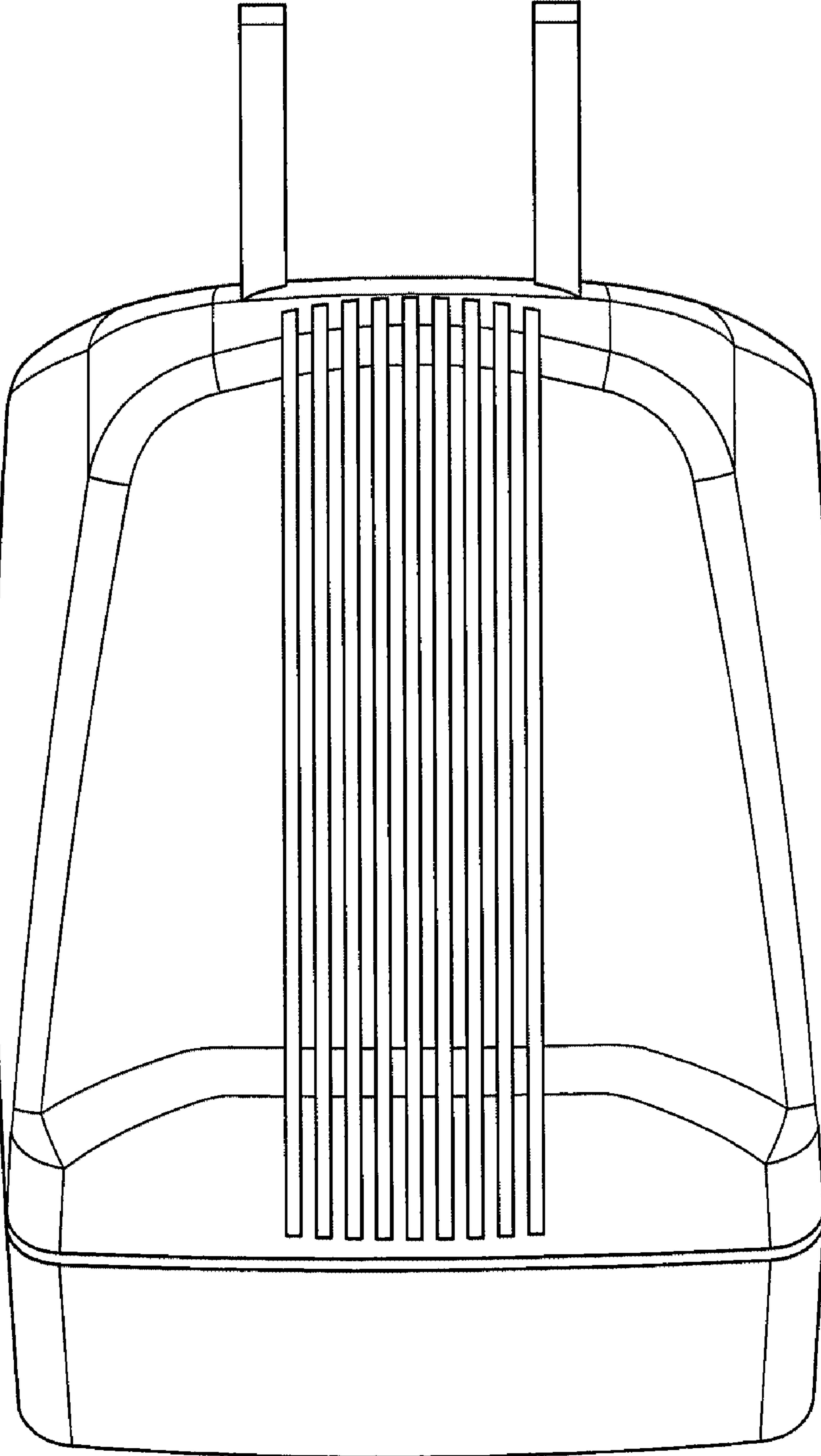


Fig.2

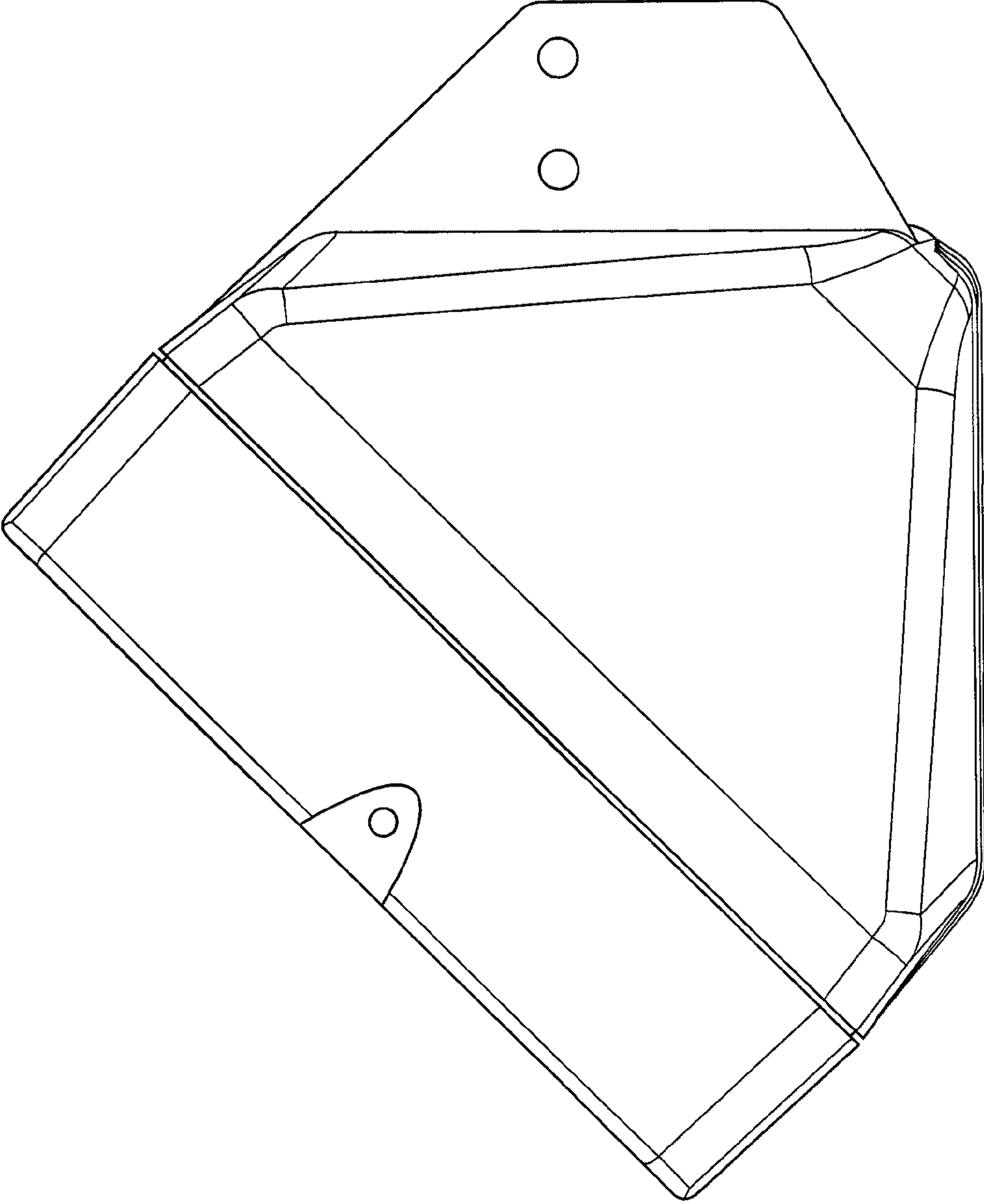


Fig.3

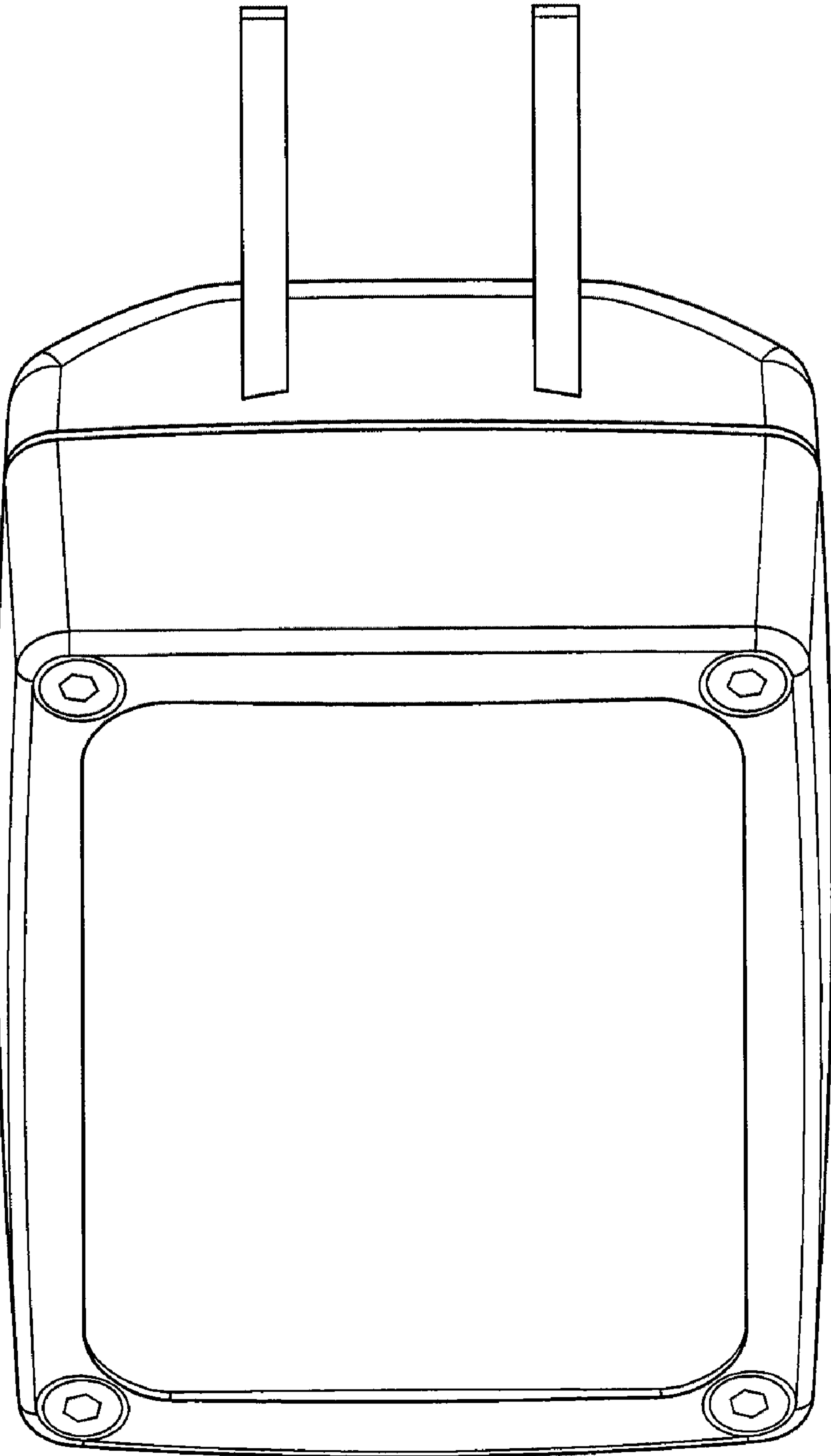


Fig.4



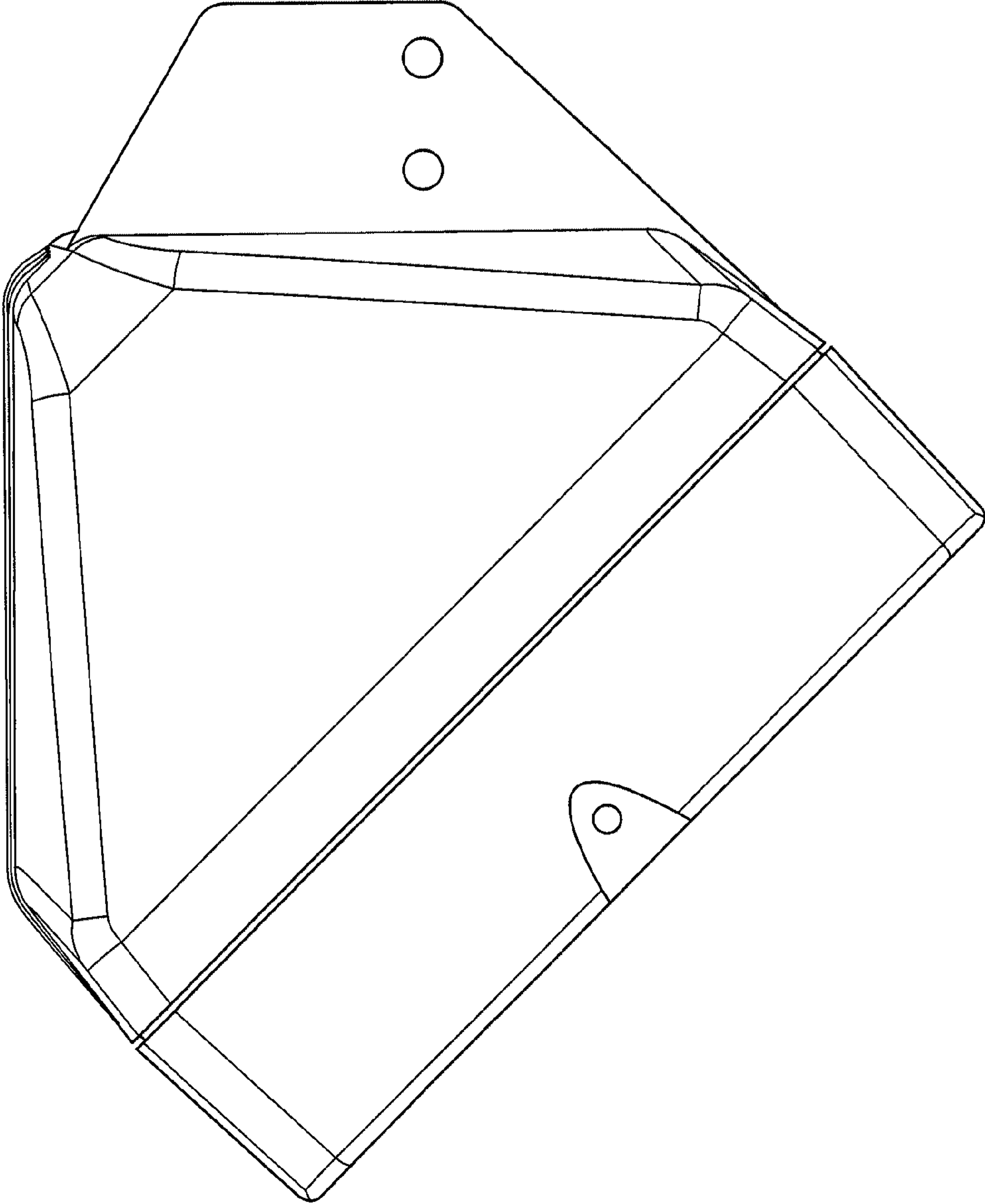


Fig.5

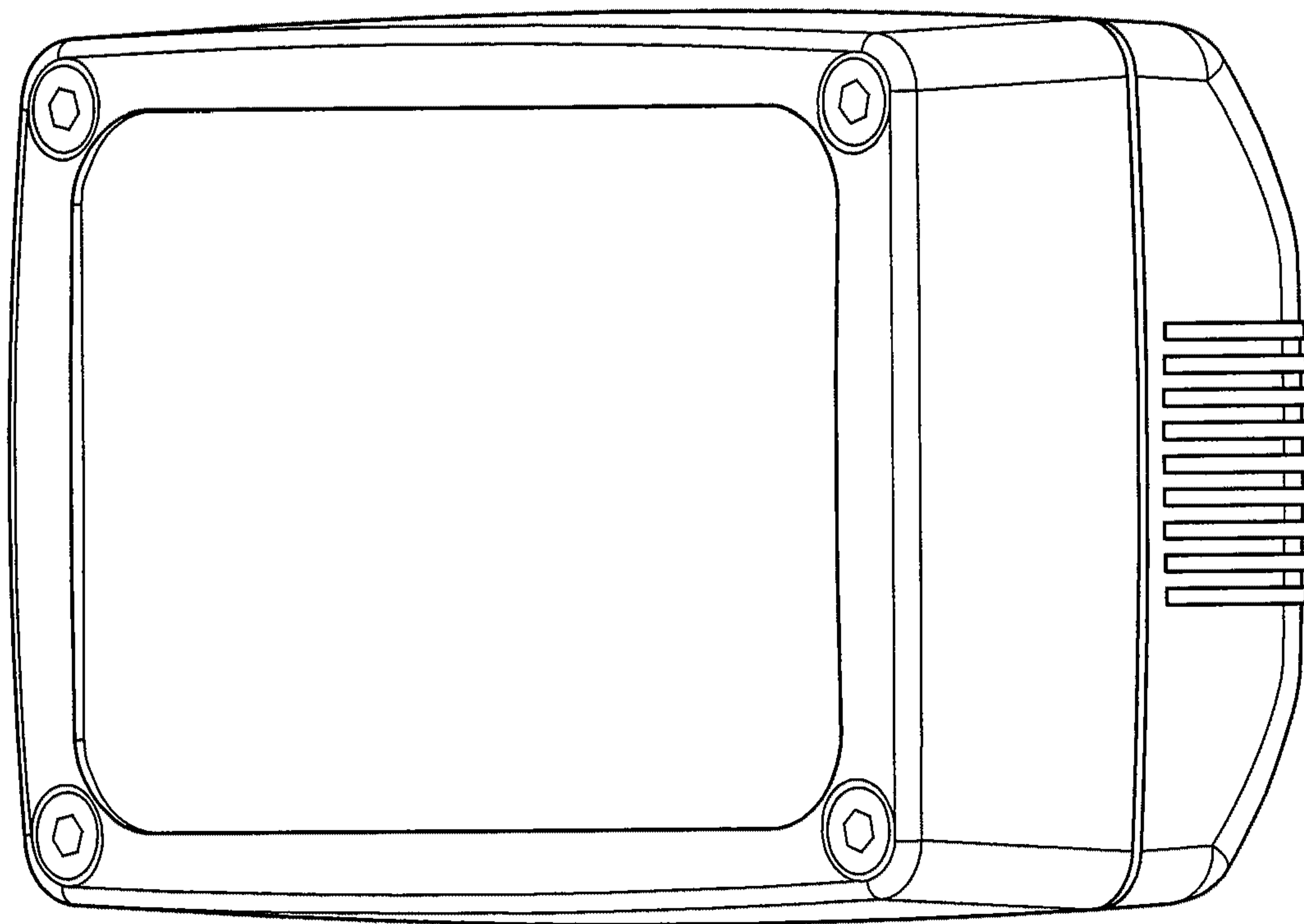


Fig.6

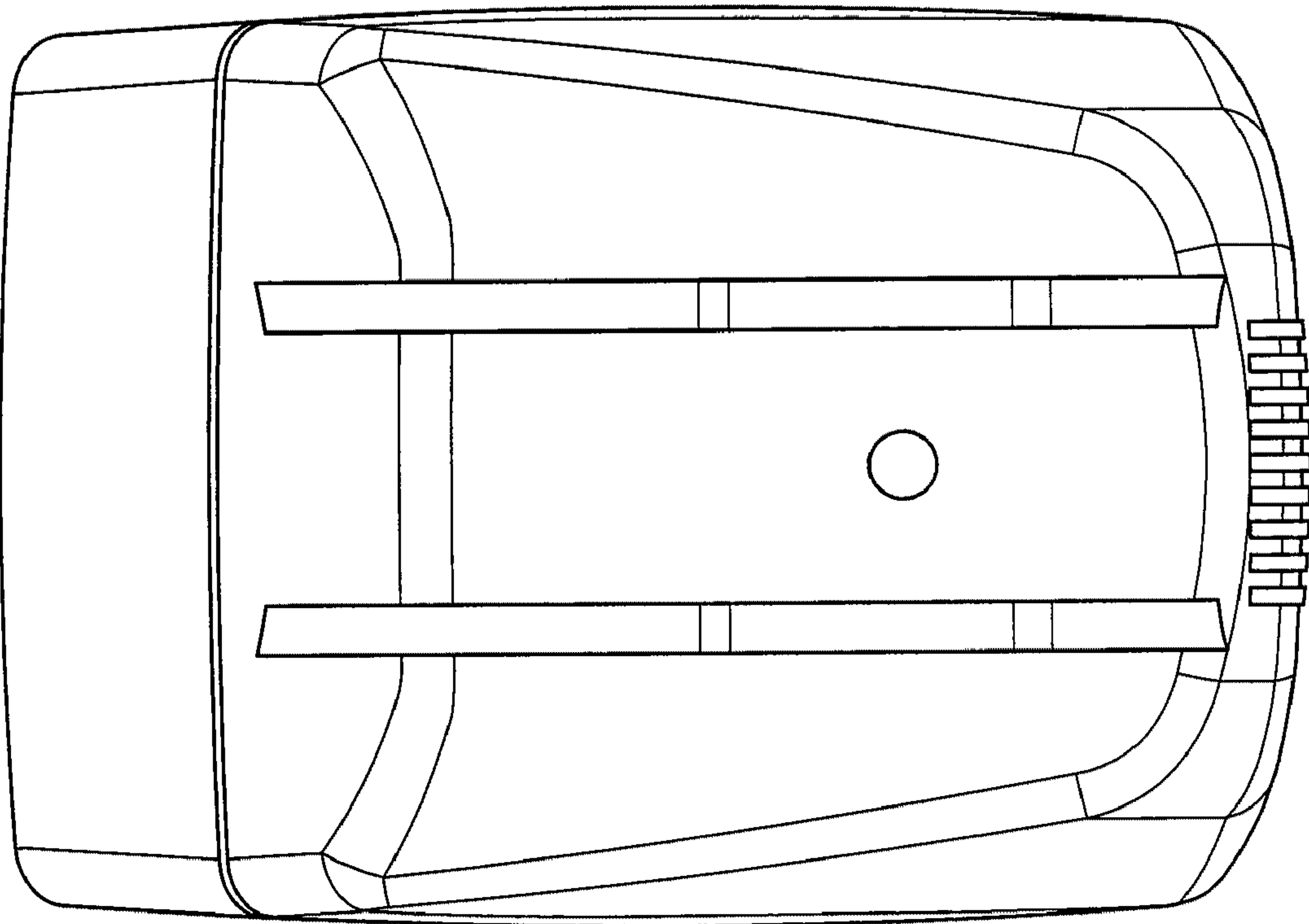


Fig.7