



US00D633099S

(12) **United States Design Patent**
Van de Ven et al.

(10) **Patent No.:** **US D633,099 S**
(45) **Date of Patent:** **** Feb. 22, 2011**

(54) **LIGHT ENGINE FOR A LIGHTING DEVICE**

(75) Inventors: **Antony Paul Van de Ven**, Hong Kong SAR (CN); **Wai Kwan Chan**, Hong Kong SAR (CN)

(73) Assignee: **Cree, Inc.**, Durham, NC (US)

(**) Term: **14 Years**

(21) Appl. No.: **29/344,218**

(22) Filed: **Sep. 25, 2009**

(51) **LOC (9) Cl.** **15-01**

(52) **U.S. Cl.** **D15/1; D26/138**

(58) **Field of Classification Search** D15/1,
D15/5; D26/74, 72, 138; 362/235

See application file for complete search history.

(56) **References Cited**

U.S. PATENT DOCUMENTS

D490,181 S *	5/2004	Redfern	D26/72
D544,979 S *	6/2007	Hartmann et al.	D26/74
D618,376 S *	6/2010	Redfern et al.	D26/92
2010/0135016 A1 *	6/2010	Ishibashi	362/235
2010/0177509 A1 *	7/2010	Pickard	362/184

OTHER PUBLICATIONS

U.S. Appl. No. 12/566,857, filed Sep. 25, 2009, Van de Ven et al.

U.S. Appl. No. 12/621,970, filed Nov. 19, 2009, Van de Ven et al.

* cited by examiner

Primary Examiner—T. Chase Nelson

Assistant Examiner—Ania K Dworzecka

(74) *Attorney, Agent, or Firm*—Burr & Brown

(57) **CLAIM**

The ornamental design for a light engine for a lighting device, as shown and described.

DESCRIPTION

FIG. 1 is a first perspective view of the light engine for a lighting device in accordance with my new design;

FIG. 2 is a second perspective view thereof;

FIG. 3 is a front view thereof; the back side view is identical to the front view

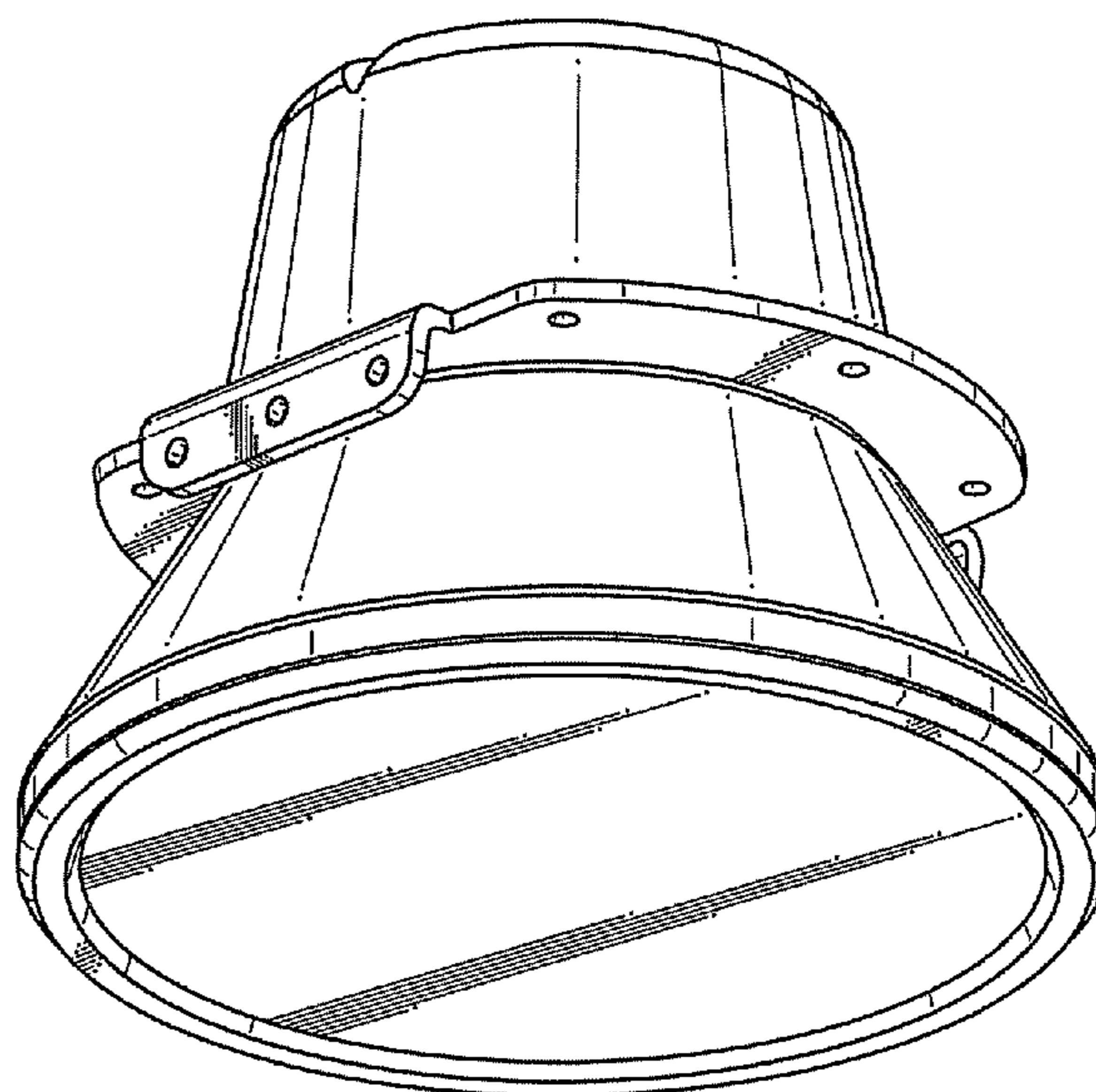
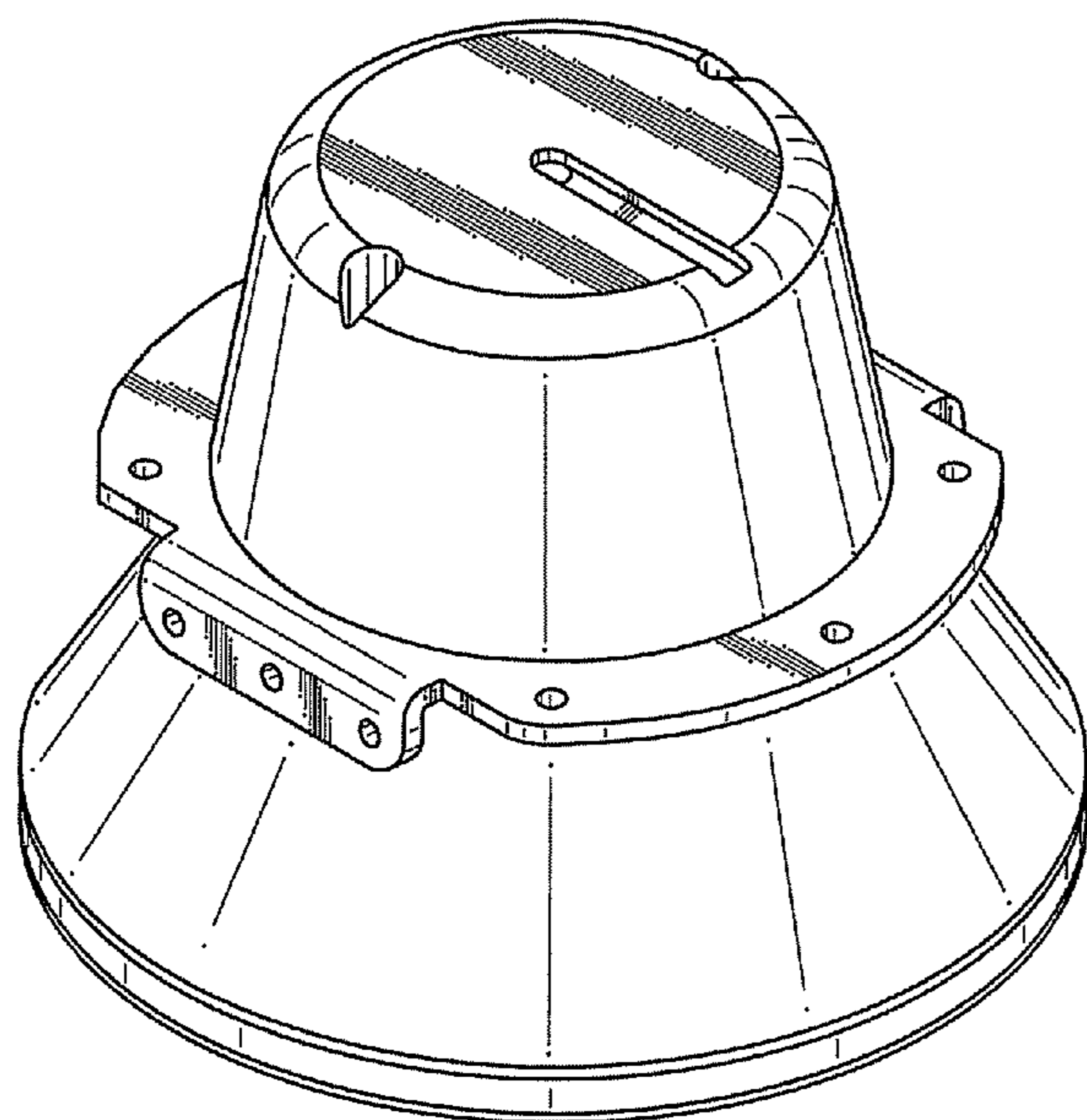
FIG. 4 is a right side view thereof; the left side view is identical to the right side view except the small cutout section on the top of the engine;

FIG. 5 is a top view thereof; and,

FIG. 6 is a bottom view thereof.

The portions of the drawings shown in broken lines represent environmental structure and form no part of the claimed design.

1 Claim, 3 Drawing Sheets



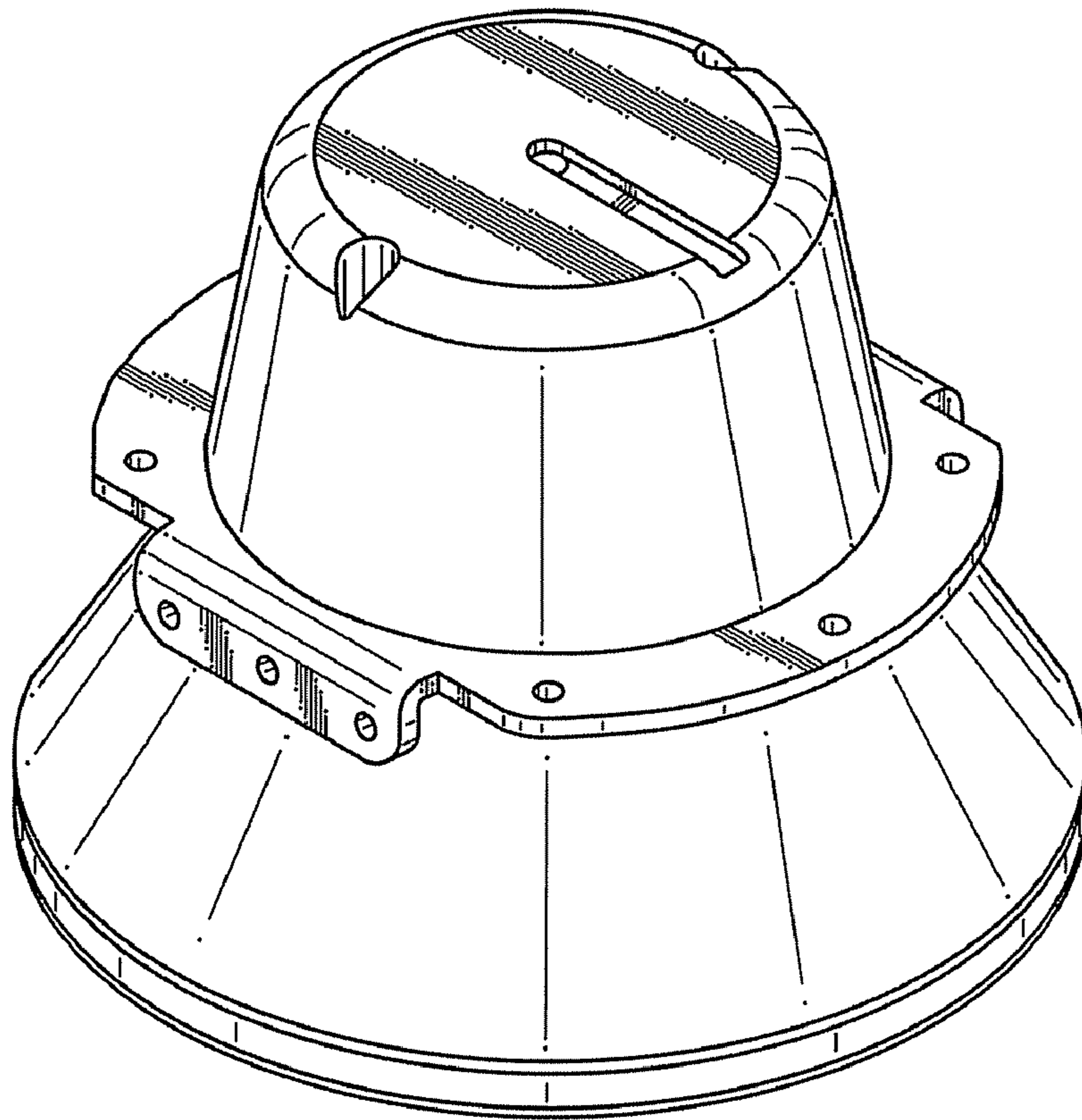


FIG.1

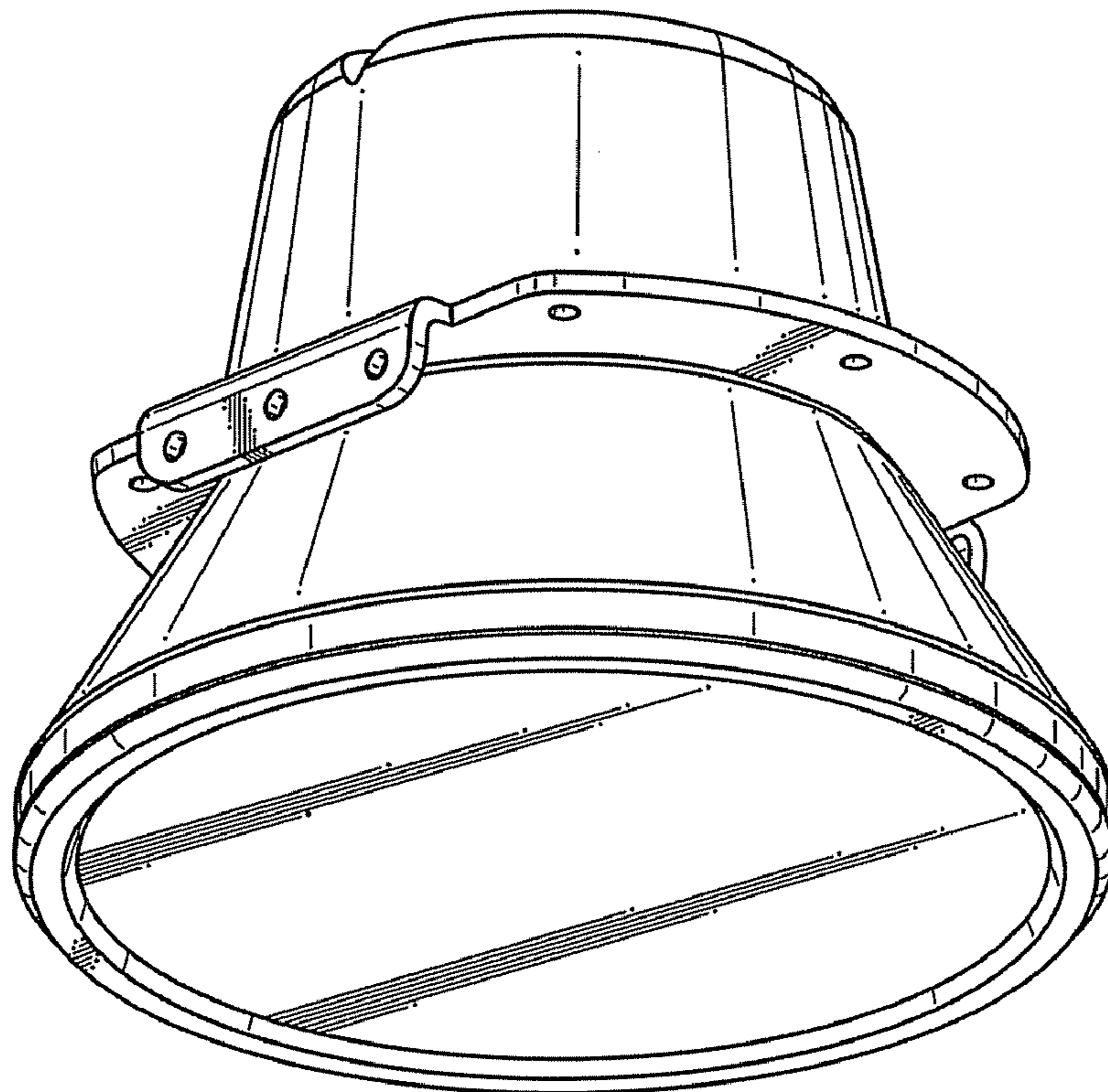


FIG.2

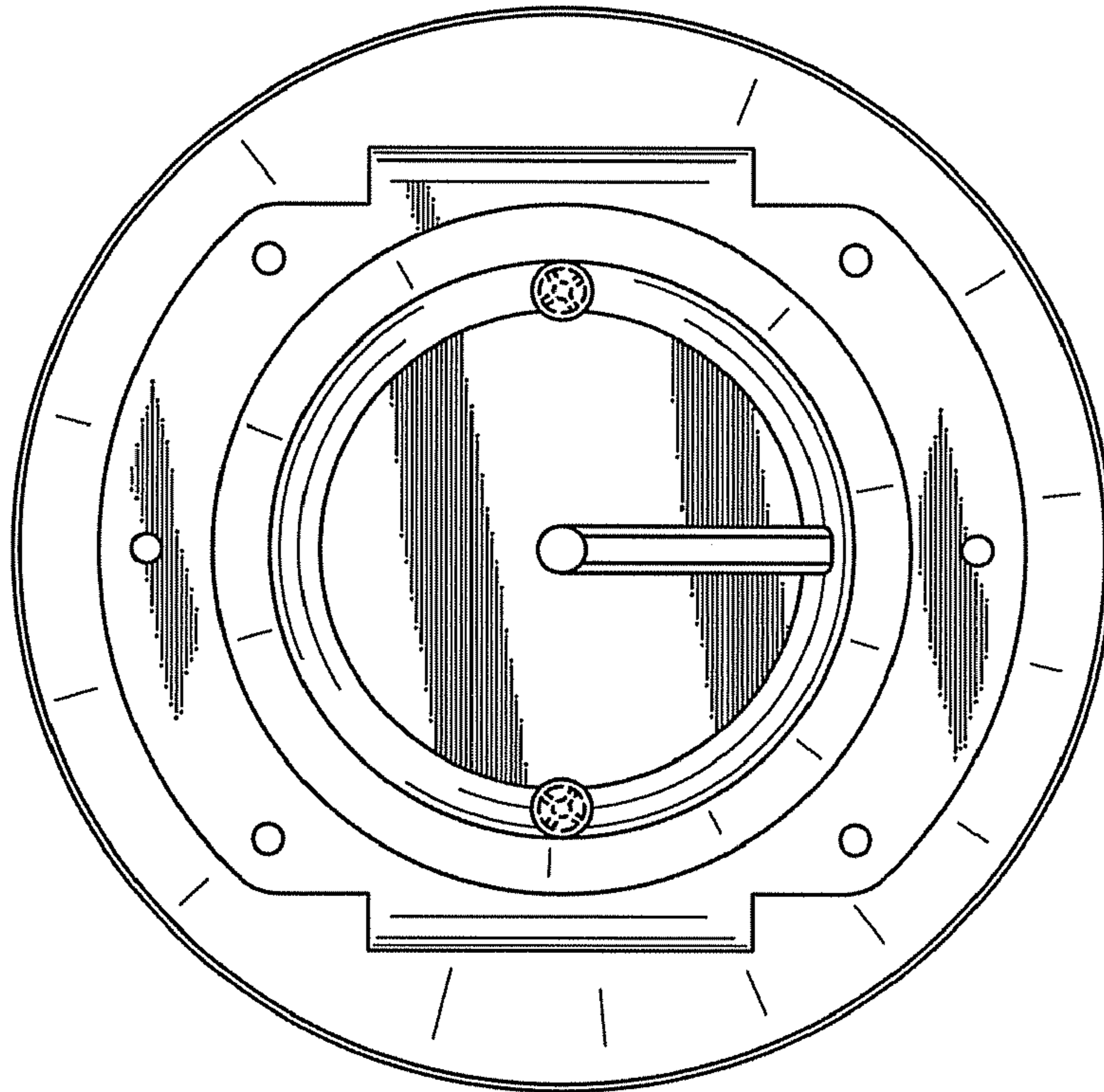


FIG.5

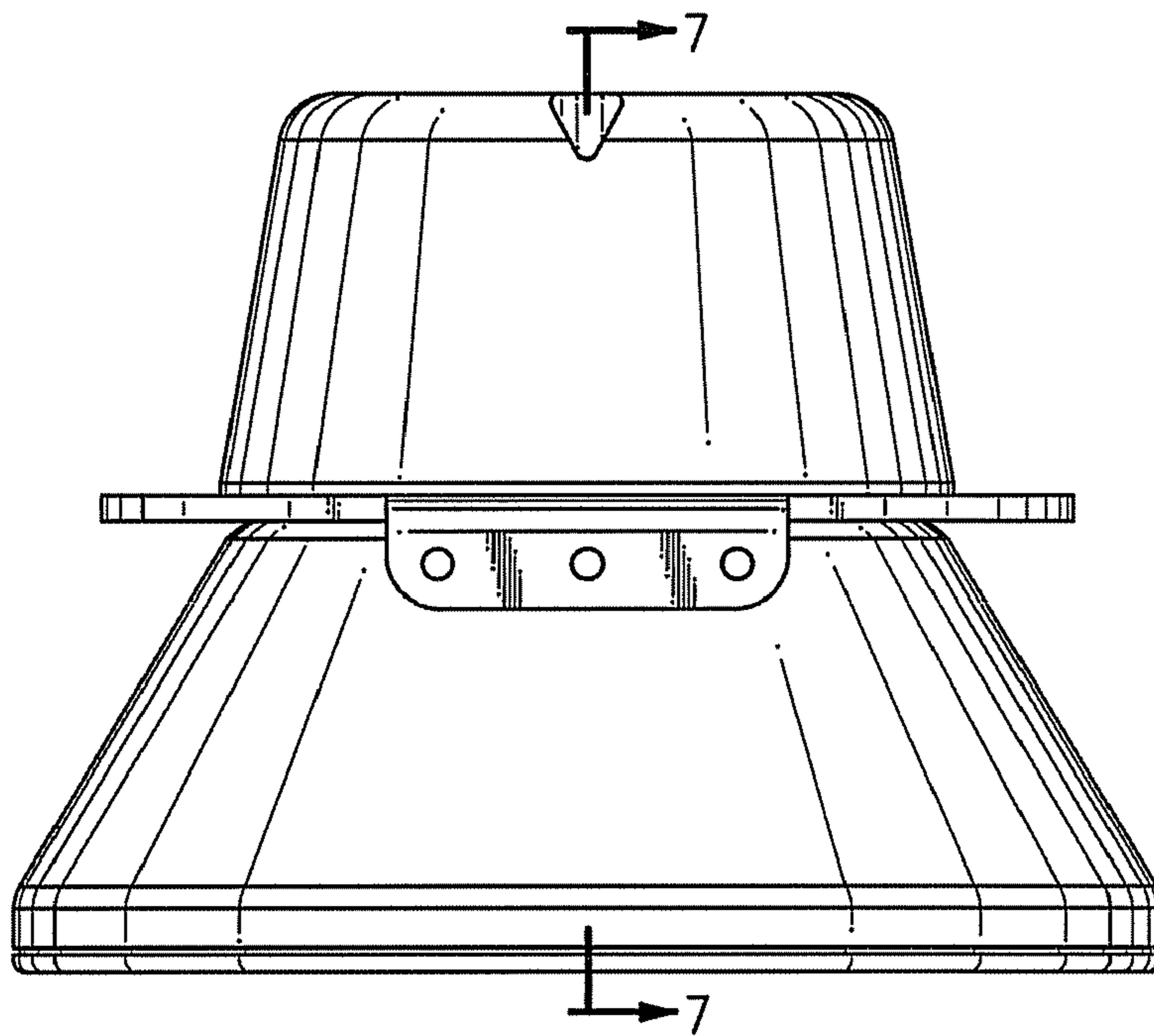


FIG.3

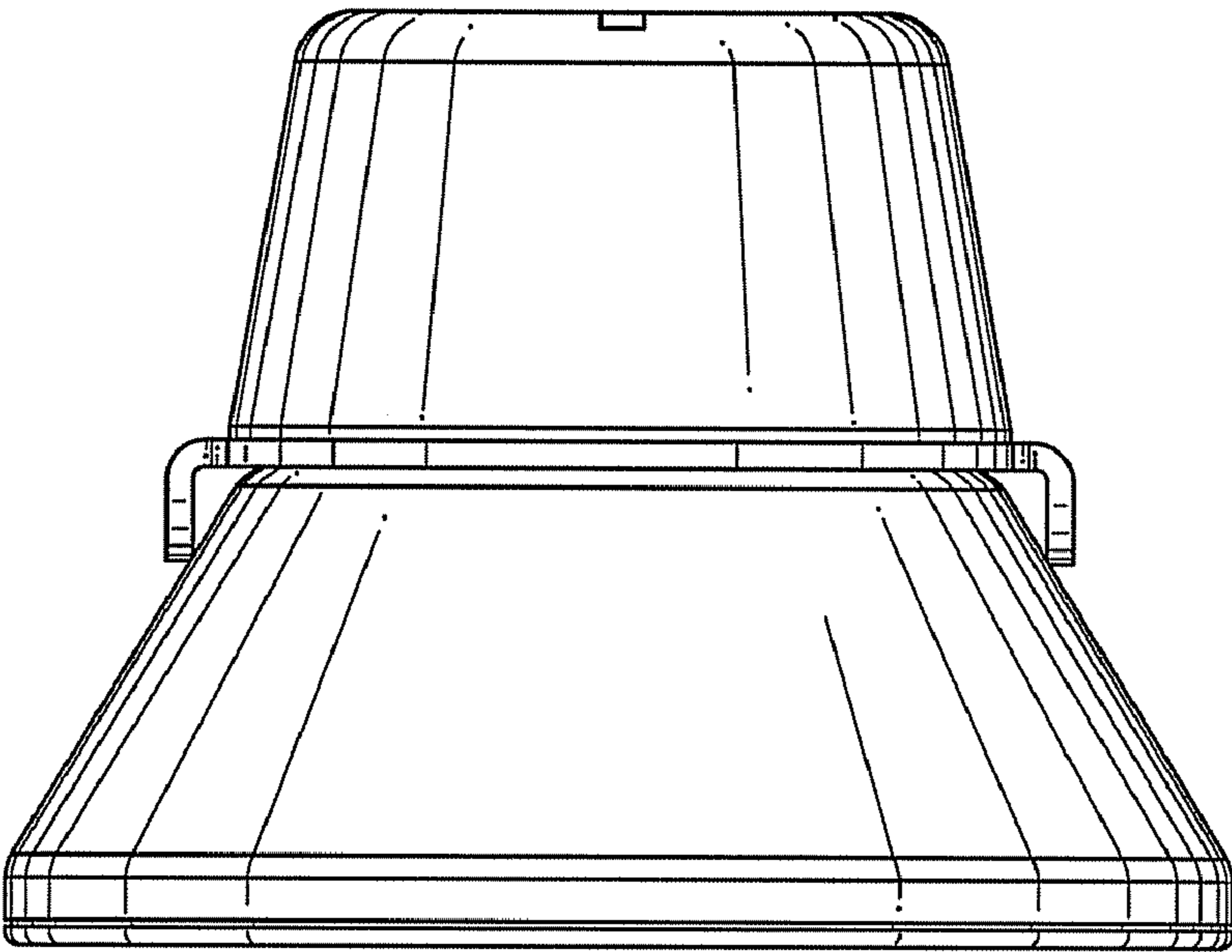


FIG. 4

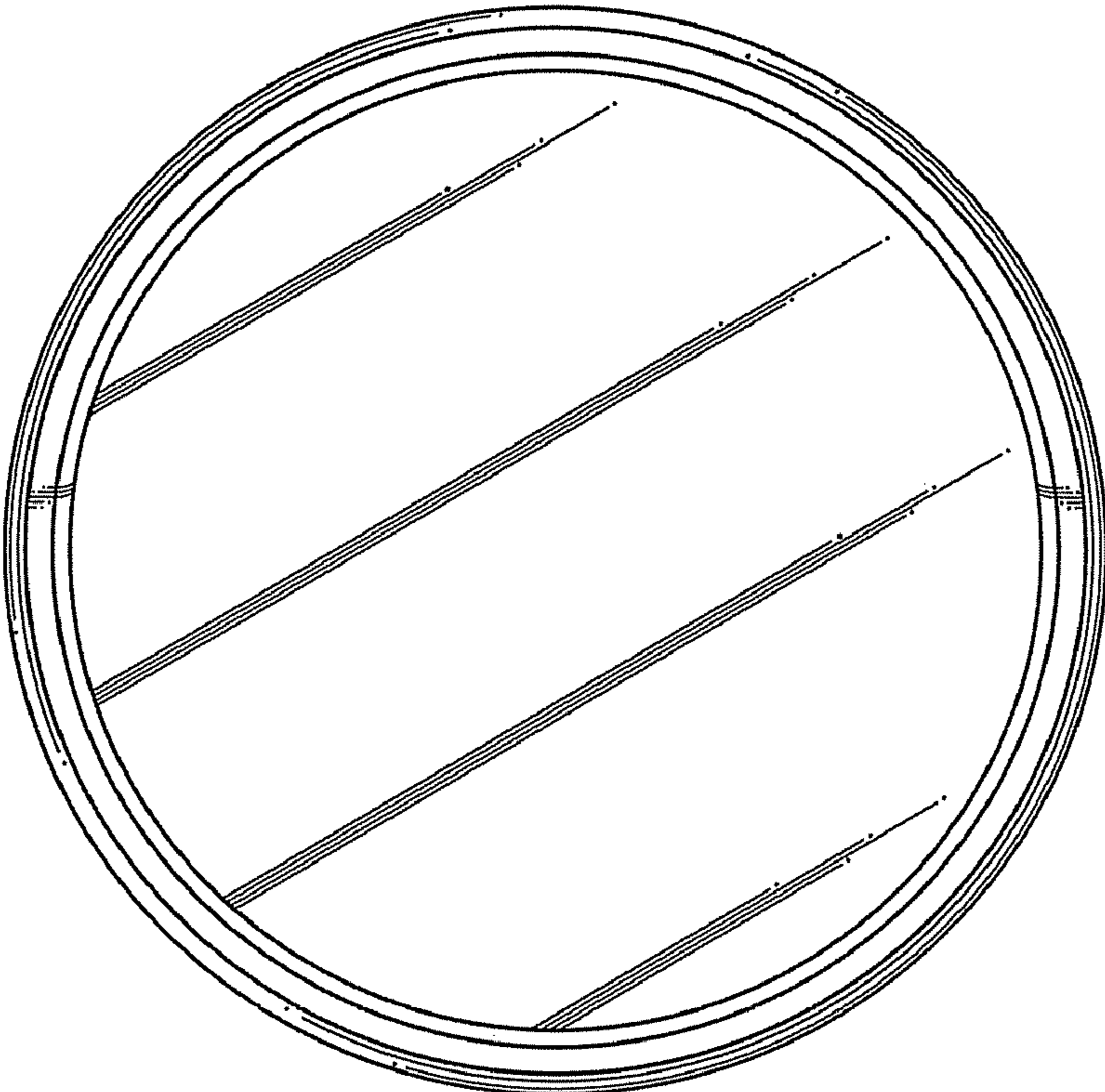


FIG. 6