



US00D633098S

(12) **United States Design Patent**
Kim et al.

(10) **Patent No.:** **US D633,098 S**
(45) **Date of Patent:** **** Feb. 22, 2011**

(54) **BLU-RAY DISK PLAYER**

(75) Inventors: **Ji-Gwang Kim**, Seoul (KR); **Chae-Joo Son**, Kyunggi-do (KR); **Jin-Wook Kim**, Gyeongsangbuk-do (KR); **Jea-Hun Hyun**, Seoul (KR)

(73) Assignee: **Samsung Electronics Co., Ltd.**, Suwon, Kyunggi-do (KR)

(**) Term: **14 Years**

(21) Appl. No.: **29/349,014**

(22) Filed: **Mar. 2, 2010**

(51) **LOC (9) Cl.** **14-01**

(52) **U.S. Cl.** **D14/499**

(58) **Field of Classification Search** D14/204,
D14/210–216, 168, 172, 496, 498–505;
360/99.02, 99.07; 381/300–303, 306, 332–333,
381/336, 345, 361–364, 386–388; 369/75.11,
369/75.21, 77.11, 77.21; 455/344, 347–351
See application file for complete search history.

(56) **References Cited**

U.S. PATENT DOCUMENTS

D306,858 S *	3/1990	Zeitman	D14/168
D514,545 S *	2/2006	Watanabe	D14/499
D517,040 S *	3/2006	Hasegawa et al.	D14/168
D519,960 S	5/2006	Kwon et al.		
D519,962 S	5/2006	Kim et al.		
D519,963 S	5/2006	Lim et al.		
D520,478 S	5/2006	Kwon et al.		
D520,479 S	5/2006	Kwon et al.		
D520,480 S	5/2006	Kwon et al.		
D520,481 S	5/2006	Lim et al.		
D520,973 S	5/2006	Kwon et al.		
D520,974 S	5/2006	Lim		
D520,975 S	5/2006	Kim et al.		
D521,965 S	5/2006	Ko et al.		
D521,966 S	5/2006	Kim et al.		
D521,967 S	5/2006	Lim		
D522,986 S	6/2006	Kwon et al.		
D523,832 S	6/2006	Kwon et al.		

D525,958 S	8/2006	Kwon et al.
D526,294 S	8/2006	Kwon et al.
D526,979 S	8/2006	Lim
D526,980 S	8/2006	Kwon et al.
D526,981 S	8/2006	Kim et al.
D528,525 S	9/2006	Cho et al.
D529,464 S	10/2006	Lim et al.
D529,885 S	10/2006	Park et al.
D530,692 S	10/2006	Lim et al.
D530,693 S	10/2006	Park et al.
D530,694 S	10/2006	Park
D530,695 S	10/2006	Park
D531,153 S	10/2006	Lim et al.

(Continued)

OTHER PUBLICATIONS

U.S. Appl. No. 29/315,469, Applicant: Ju-Won Cho et al., filed Jun. 29, 2009 entitled Blu-Ray Disk Player.

(Continued)

Primary Examiner—Nanda Bondade
(74) *Attorney, Agent, or Firm*—Flynn, Thiel, Boutell & Tanis, P.C.

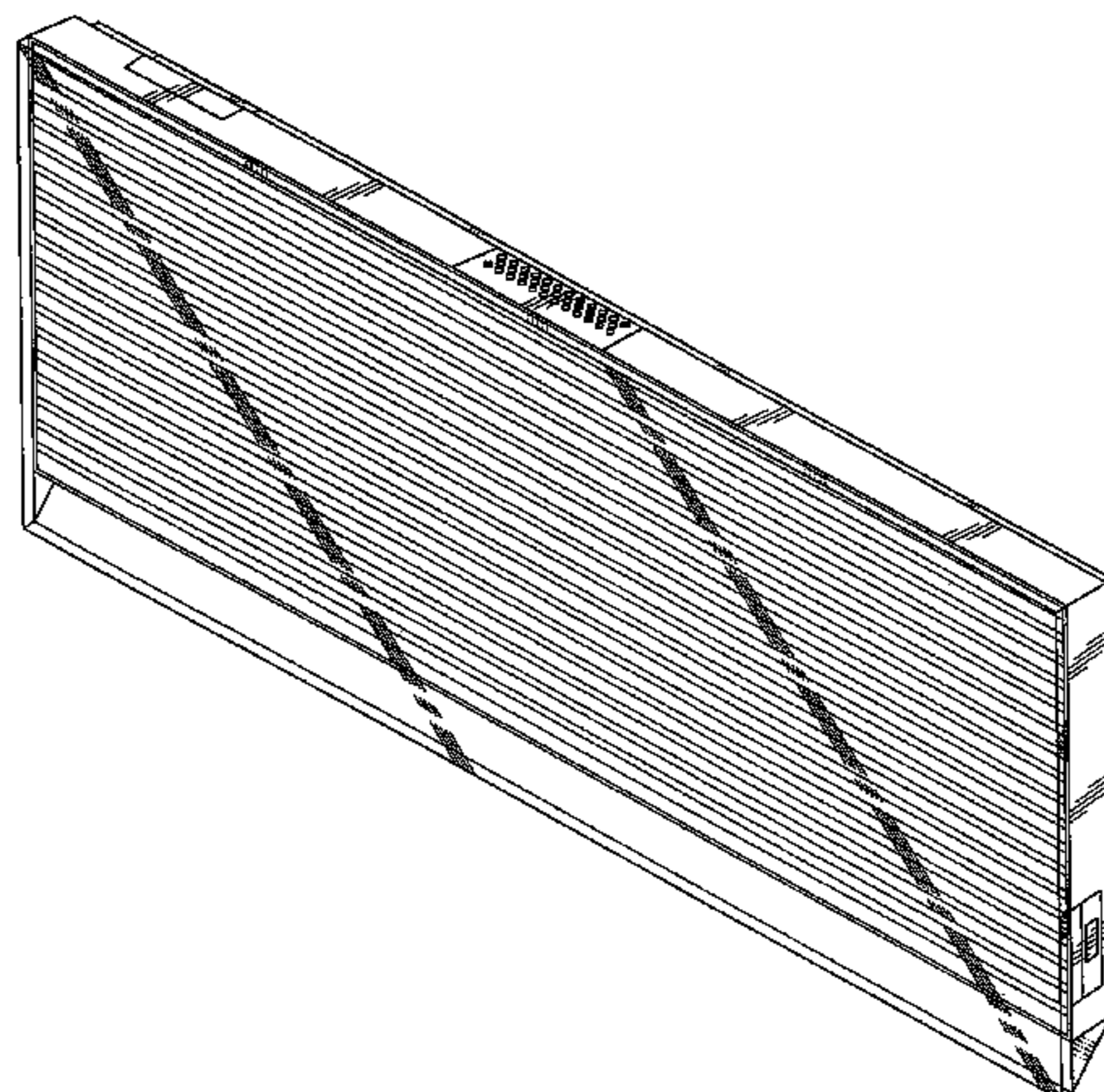
(57) **CLAIM**

The ornamental design for a Blu-ray disk player, as shown and described.

DESCRIPTION

FIG. 1 is a top front perspective view of a Blu-ray disk player showing our new design;
FIG. 2 is a front elevational view thereof;
FIG. 3 is a rear elevational view thereof;
FIG. 4 is a left side elevational view thereof;
FIG. 5 is a right side elevational view thereof;
FIG. 6 is a top plan view thereof; and,
FIG. 7 is a bottom plan view thereof.

1 Claim, 3 Drawing Sheets



U.S. PATENT DOCUMENTS

D533,159 S 12/2006 Kim et al.
 D536,682 S 2/2007 Lim et al.
 D536,683 S 2/2007 Lim et al.
 D537,425 S 2/2007 Park
 D538,768 S 3/2007 Lim et al.
 D539,250 S 3/2007 Park
 D539,770 S 4/2007 Park
 D539,771 S 4/2007 Park
 D540,286 S 4/2007 Lim
 D551,198 S 9/2007 Kim
 D552,053 S 10/2007 Kim
 D553,109 S 10/2007 Kim et al.
 D560,179 S 1/2008 Cho et al.
 D560,180 S 1/2008 Park et al.
 D560,181 S 1/2008 Park
 D560,182 S 1/2008 Park
 D560,627 S 1/2008 Park et al.
 D561,141 S 2/2008 Cho et al.
 D567,203 S 4/2008 Park
 D567,204 S 4/2008 Park
 D572,237 S * 7/2008 Hsiung D14/214
 D576,581 S 9/2008 Son et al.
 D578,091 S 10/2008 Cho et al.
 D587,281 S 2/2009 Kim et al.

D587,282 S 2/2009 Kim et al.
 D595,736 S 7/2009 Son et al.
 D596,197 S 7/2009 Cho et al.
 D603,868 S 11/2009 Cho et al.
 D612,869 S 3/2010 Cho et al.
 D612,870 S 3/2010 Cho et al.

OTHER PUBLICATIONS

U.S. Appl. No. 29/315,473, Applicant: Yeon-Moo Chung et al., filed Jun. 29, 2009 entitled Blu-Ray Disk Player.
 U.S. Appl. No. 29/315,474, Applicant: Ju-Won Cho et al., filed Jun. 29, 2009 entitled Blu-Ray Disk Player.
 U.S. Appl. No. 29/315,546, Applicant: Ju-Won Cho, filed Jul. 2, 2009 entitled Blu-Ray Disk Home Theater System.
 U.S. Appl. No. 29/348,330, Applicant: Yeon-Moo Chung, filed Dec. 22, 2009 entitled DVD Player.
 U.S. Appl. No. 29/348,335, Applicant: Yeon-Moo Chung, filed Dec. 22, 2009 entitled Blu-Ray Disk Player.
 U.S. Appl. No. 29/349,021, Applicant: Jae-Hyung Kim, filed Mar. 2, 2010 entitled Blu-Ray Disk Player.
 U.S. Appl. No. 29/349,020, Applicant: Jae-Hyung Kim, filed Mar. 2, 2010 entitled Blu-Ray Disk Player.
 U.S. Appl. No. 29/349,015, Applicant: Jae-Hyung Kim, filed Mar. 2, 2010 entitled Blu-Ray Disk Receiver.

* cited by examiner

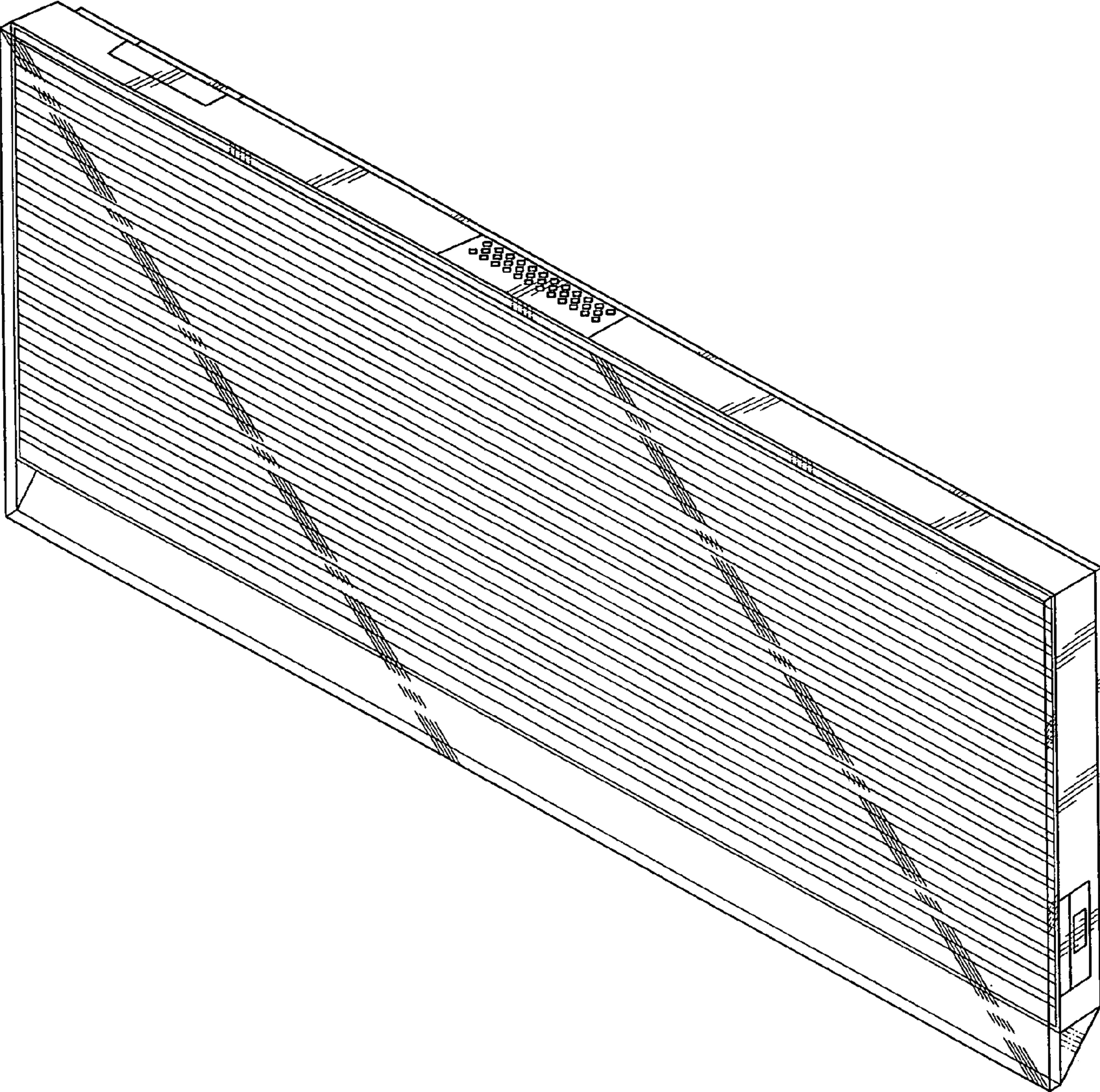


FIG. 1

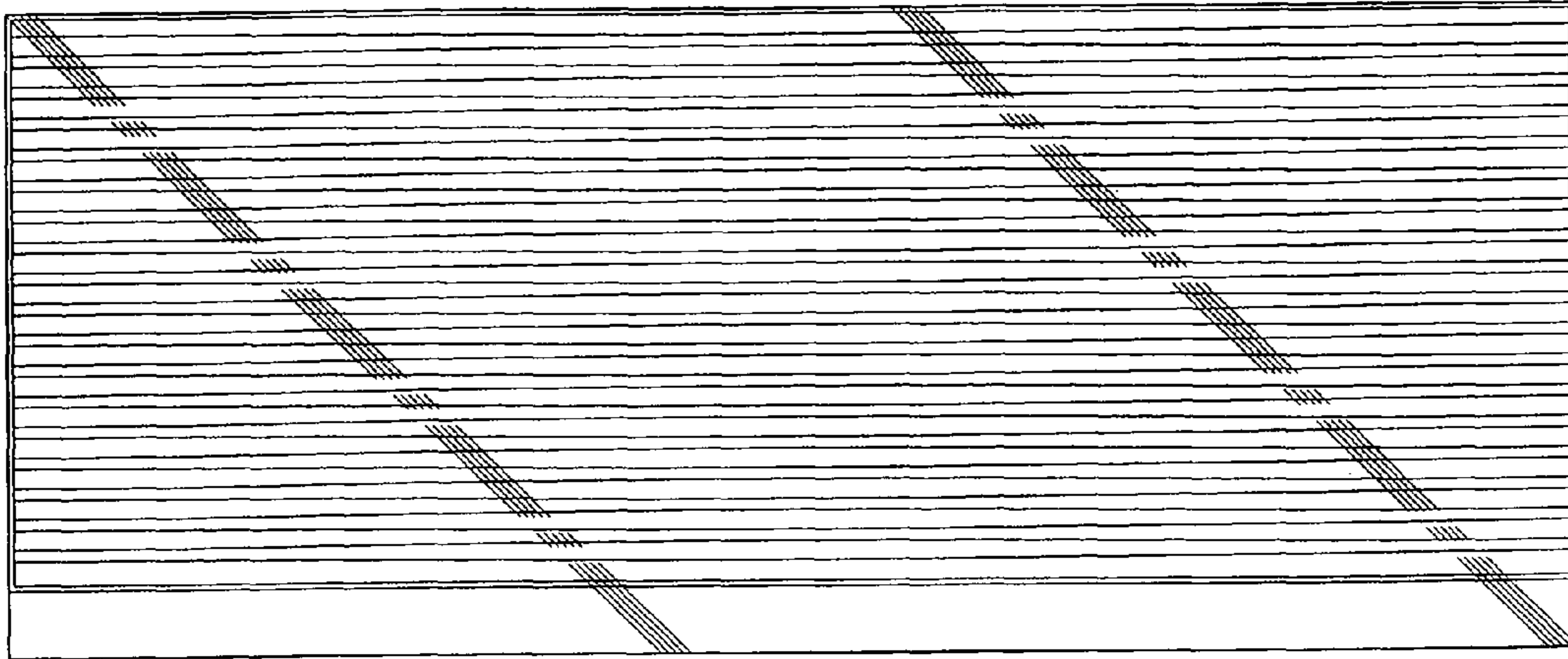


FIG. 2

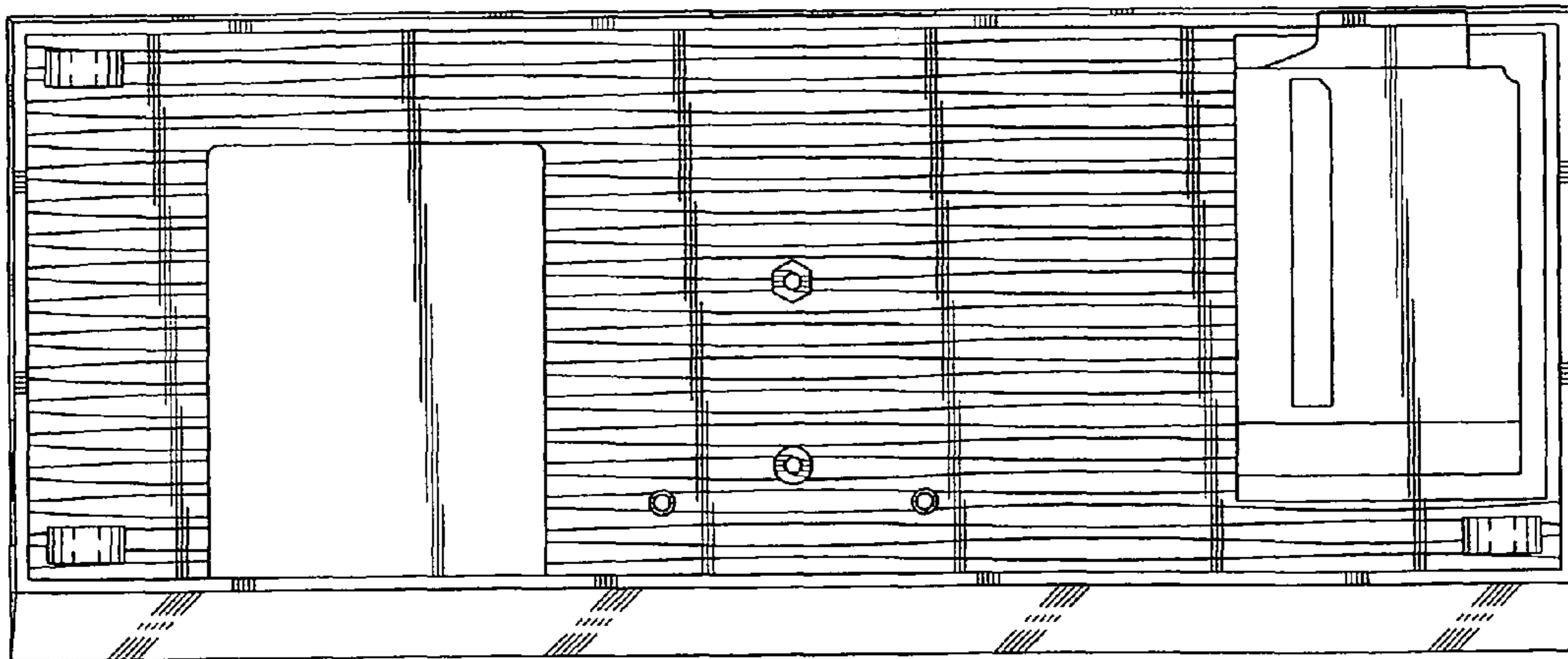


FIG. 3

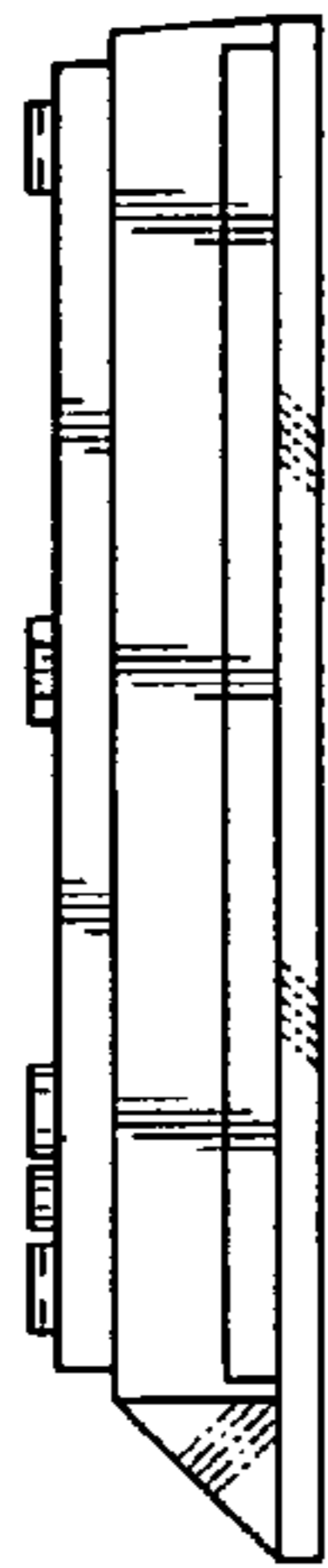


FIG. 4

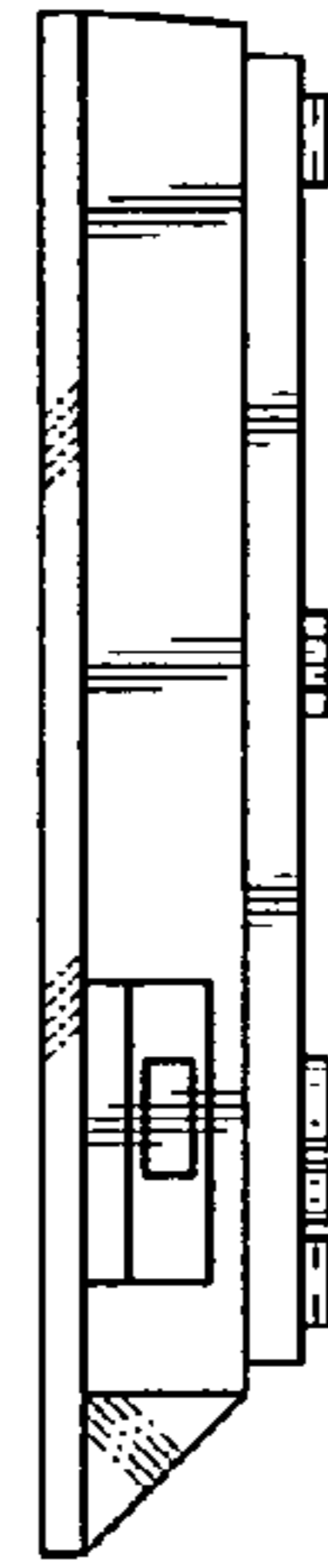


FIG. 5

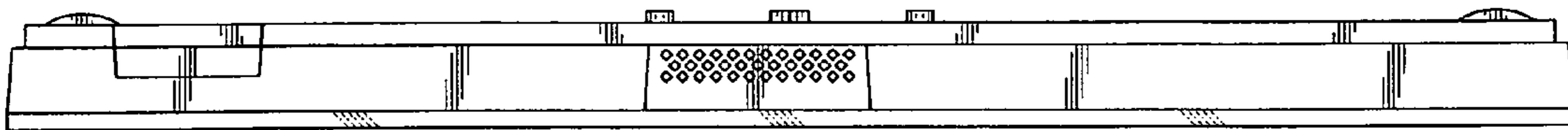


FIG. 6

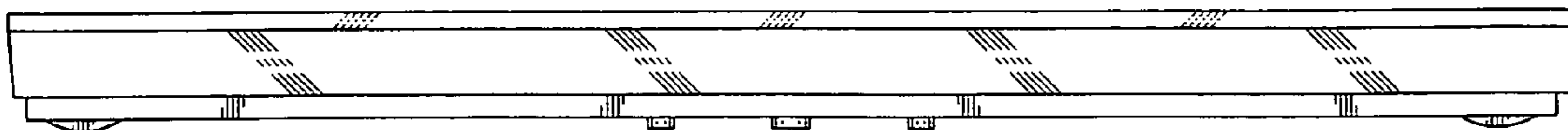


FIG. 7