

US00D633088S

(12) **United States Design Patent**
Liao

(10) **Patent No.:** **US D633,088 S**

(45) **Date of Patent:** **** Feb. 22, 2011**

(54) **RUGGED HANDHELD DEVICE**

(75) Inventor: **Yi-Chun Liao**, Taichung (TW)

(73) Assignee: **Getac Technology Corporation**,
Hsinchu (TW)

(**) Term: **14 Years**

(21) Appl. No.: **29/351,447**

(22) Filed: **Dec. 5, 2009**

(30) **Foreign Application Priority Data**

Aug. 31, 2009 (CN) 2009 3 0209813

(51) **LOC (9) Cl.** **14-02**

(52) **U.S. Cl.** **D14/341**

(58) **Field of Classification Search** D14/341-347,
D14/137, 138, 138.1, 138 AA, 138 R, 138 AB,
D14/138 G, 138 A, 496, 426, 429, 129, 130,
D14/420, 439-441, 448, 125, 147, 156, 218,
D14/250, 336, 203.1, 203.3, 203.4, 203.7,
D14/315, 388-390; D21/324, 329, 330;
D10/65, 104; D18/6-7; 345/169, 901, 905,
345/156, 157, 168, 173; 361/814, 680, 686,
361/679.27, 679.3; 341/22; 348/168; 379/433.04,
379/433.07, 433.11, 916, 433.01, 433.06
See application file for complete search history.

(56) **References Cited**

U.S. PATENT DOCUMENTS

6,388,659 B2 * 5/2002 Myerson et al. 345/169
D492,306 S * 6/2004 Martin et al. D14/346
D496,366 S * 9/2004 Croley et al. D14/429
D503,170 S * 3/2005 Leviel et al. D14/341
D511,773 S * 11/2005 Horiki et al. D14/346
D516,554 S * 3/2006 Richardson et al. D14/341
D531,177 S * 10/2006 Okanoya et al. D14/346
D532,326 S * 11/2006 Ishii D10/70

D545,289 S * 6/2007 Wang D14/138 AD
D556,750 S * 12/2007 Fitch et al. D14/346
D564,921 S * 3/2008 Cheng D10/65
D571,757 S * 6/2008 Kesler et al. D14/137
D579,932 S * 11/2008 Huang D14/346
D581,421 S * 11/2008 Richardson et al. D14/440
D598,407 S * 8/2009 Richardson et al. .. D14/138 AA
D602,456 S * 10/2009 Aithal et al. D14/138 AA

OTHER PUBLICATIONS

ruggedpcreview.com; "GETAC PS535F"; Mar. 2009. Captured Aug.
13, 2010.*

* cited by examiner

Primary Examiner—Cathron C Brooks
Assistant Examiner—Barbara Fox

(57) **CLAIM**

The ornamental design for a rugged handheld device, as
shown and described.

DESCRIPTION

FIG. 1 is a perspective view of a rugged handheld device
showing my new design;

FIG. 2 is a front elevational view thereof;

FIG. 3 is a rear elevational view thereof;

FIG. 4 is a left side elevational view thereof;

FIG. 5 is a right side elevational view thereof;

FIG. 6 is a top plan view thereof;

FIG. 7 is a bottom plan view thereof; and,

FIG. 8 is perspective view showing the back of my new
design.

The broken lines shown in the drawings are for the purpose of
illustrating unclaimed portions of the rugged handheld device
and form no part of the claimed design.

1 Claim, 6 Drawing Sheets





FIG.1

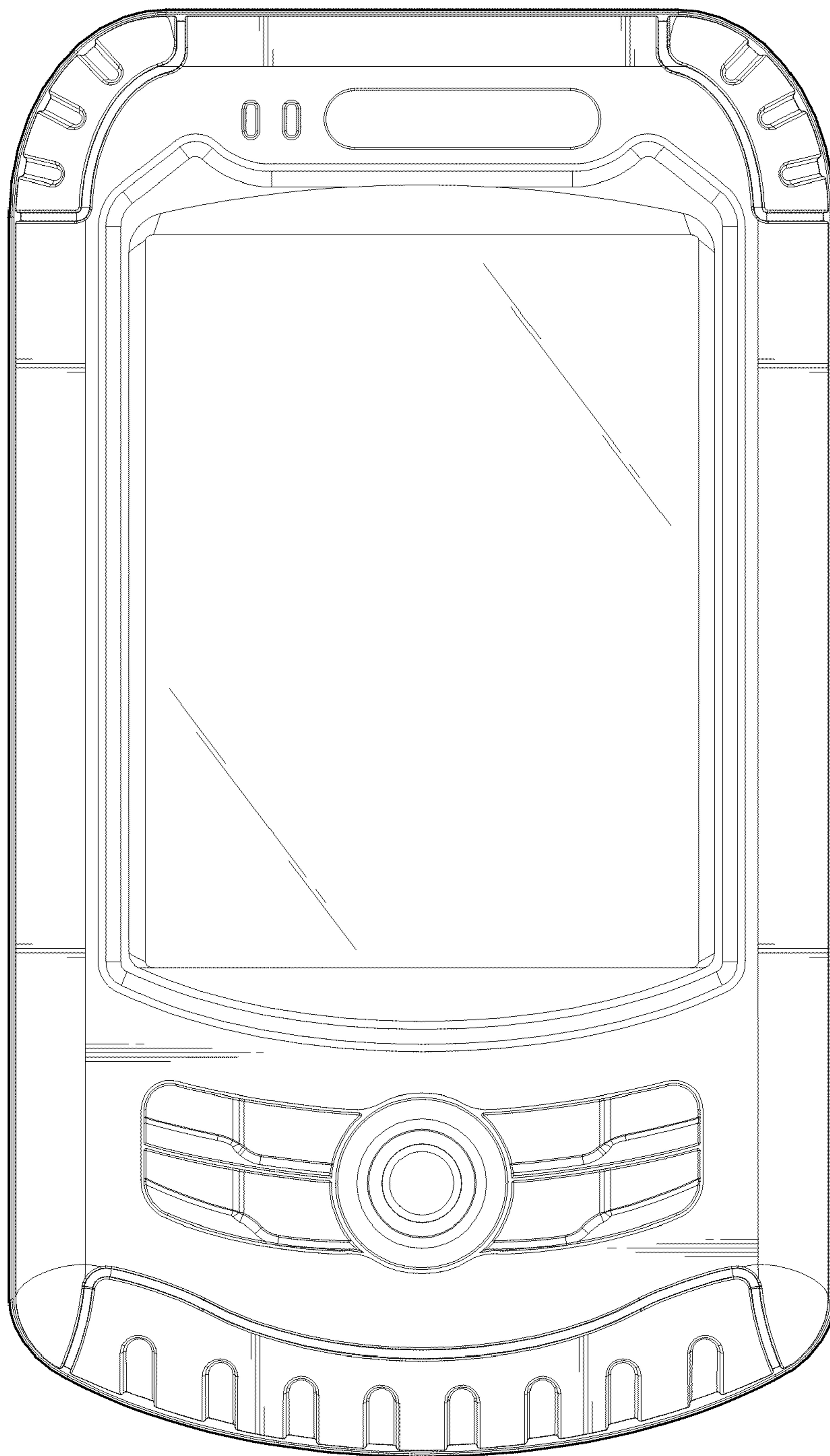


FIG. 2

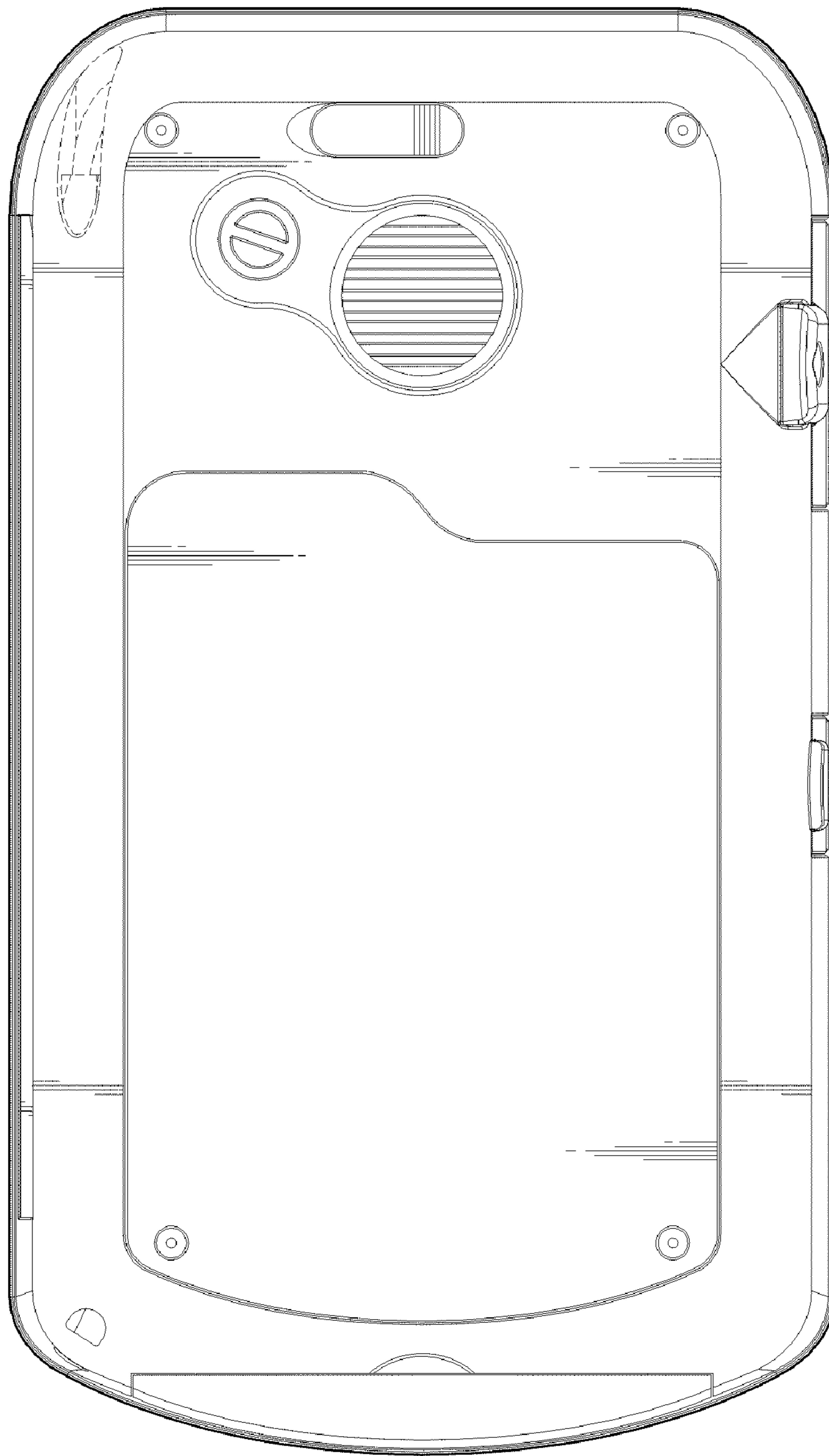


FIG. 3

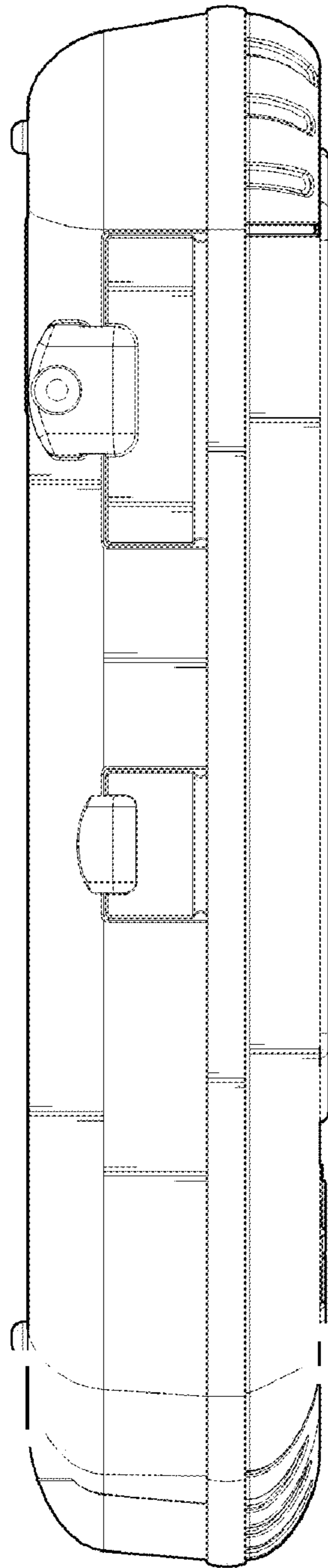


FIG. 4

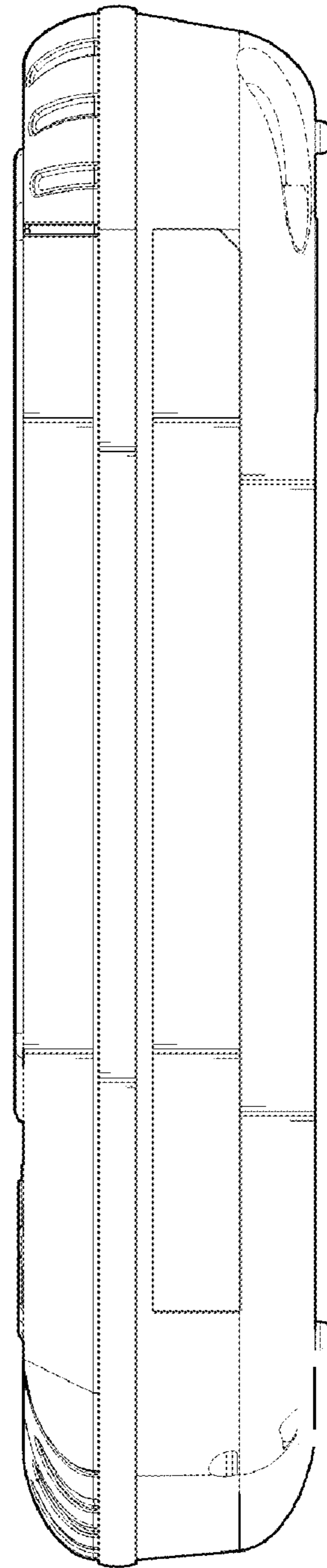


FIG. 5

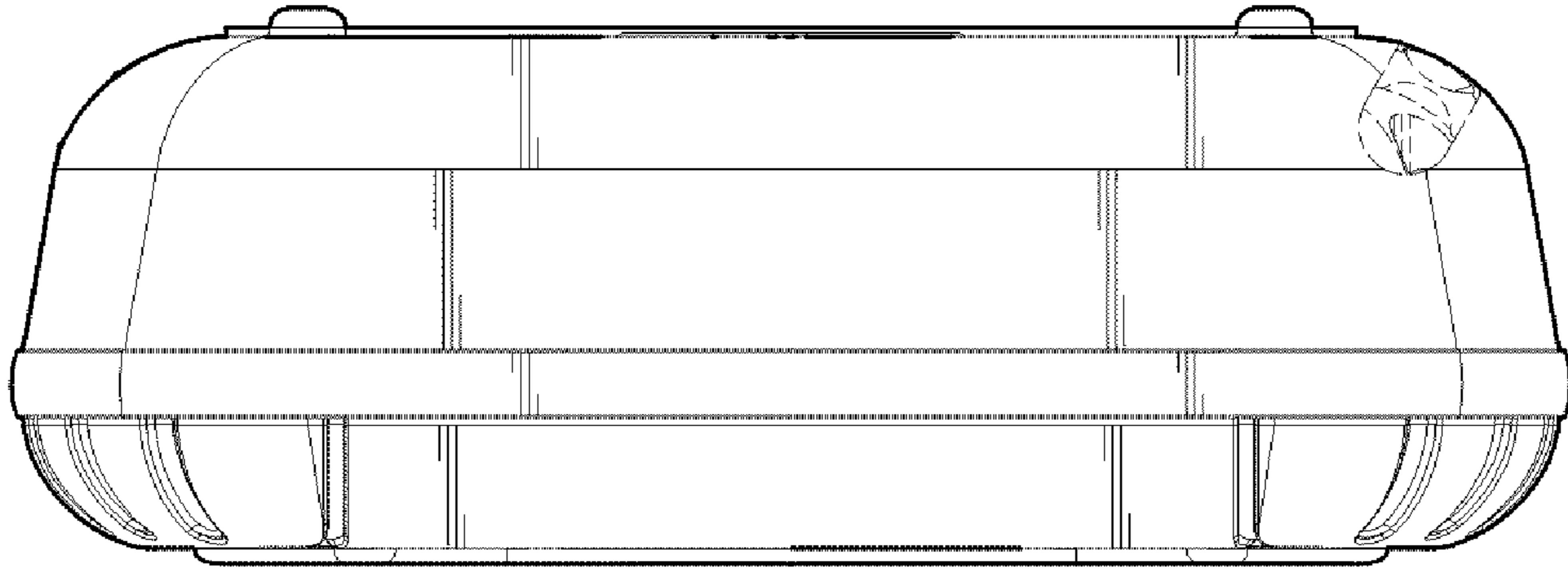


FIG. 6

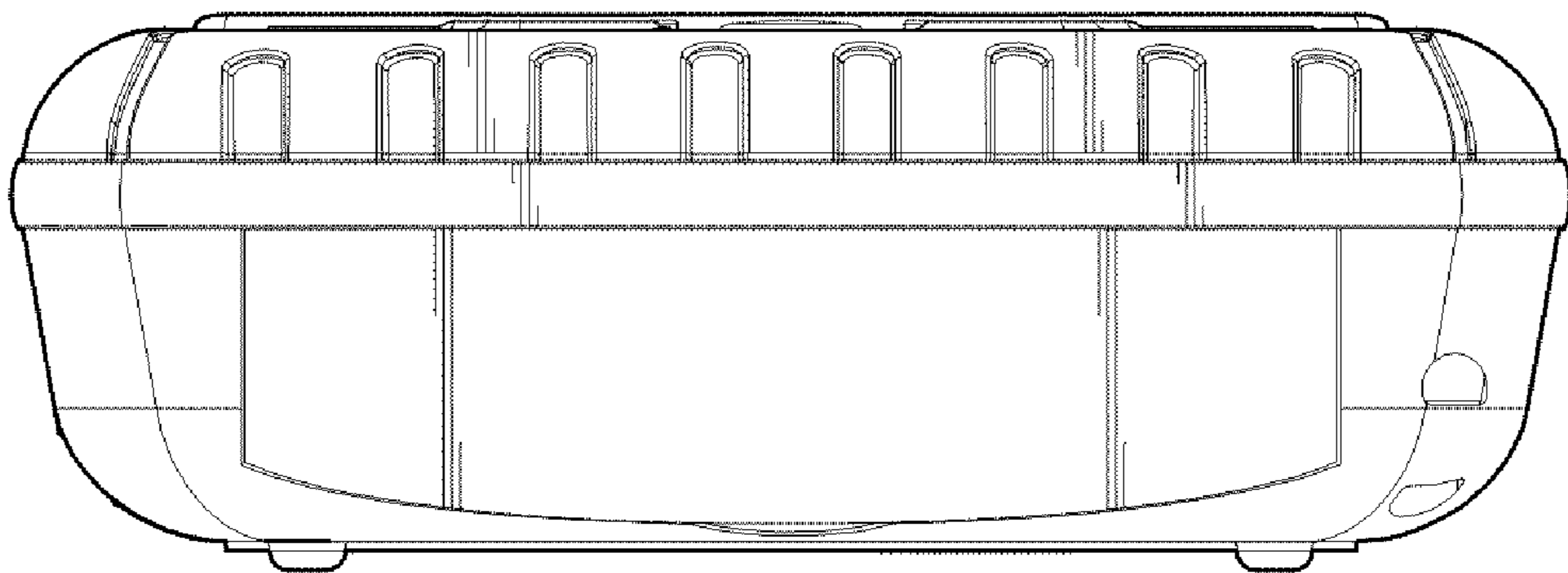


FIG. 7



FIG.8