



US00D633082S

(12) **United States Design Patent**
Ragde, Jr. et al.

(10) **Patent No.:** **US D633,082 S**
(45) **Date of Patent:** **** Feb. 22, 2011**

(54) **PORTABLE SPEAKER SYSTEM**

D516,579 S 3/2006 Nakamura
D517,364 S 3/2006 Nieves

(75) Inventors: **Jorge V. Ragde, Jr.**, Canyon Country, CA (US); **Timothy J. Jacobus**, Agoura Hills, CA (US)

(Continued)

(73) Assignee: **Portable Sound Laboratories, Inc.**, Van Nuys, CA (US)

FOREIGN PATENT DOCUMENTS

(**) Term: **14 Years**

DE 200600533 U1 7/2006

(21) Appl. No.: **29/368,927**

(Continued)

(22) Filed: **Aug. 31, 2010**

Primary Examiner—Nanda Bondade

(51) **LOC (9) Cl.** **14-01**

(74) *Attorney, Agent, or Firm*—Blakely, Sokoloff, Taylor & Zafman, LLP

(52) **U.S. Cl.** **D14/214; D14/217**

(58) **Field of Classification Search** D14/204, D14/211–217, 172, 188, 474, 496; D3/218, D3/301; D6/632–635; 181/143–148, 150, 181/157, 198–199, 151, 153; 381/300–302, 381/306, 333, 345, 361–364, 385–388, 332, 381/336, 689, 679; 224/576, 929

(57) **CLAIM**

The ornamental design for portable speaker system, as shown and described.

See application file for complete search history.

DESCRIPTION

(56) **References Cited**

U.S. PATENT DOCUMENTS

| | | |
|--------------|---------|------------------|
| D302,903 S | 8/1989 | Johnston |
| D376,150 S | 12/1996 | Pesce |
| D407,432 S | 3/1999 | Tell |
| 6,345,751 B1 | 2/2002 | Elliot |
| D469,421 S | 1/2003 | Stickles et al. |
| 6,522,613 B1 | 2/2003 | Frankeny et al. |
| D483,349 S | 12/2003 | Murakami |
| 6,712,249 B2 | 3/2004 | Magnusson et al. |
| D488,483 S | 4/2004 | Hu |
| D489,529 S | 5/2004 | Vish et al. |
| D491,167 S | 6/2004 | Yokoyama |
| D495,185 S | 8/2004 | Palmer |
| D497,051 S | 10/2004 | Nieves |
| D498,471 S | 11/2004 | Solland et al. |
| D502,165 S | 2/2005 | Ching |
| D508,689 S | 8/2005 | Schul et al. |
| D511,895 S | 11/2005 | Vish et al. |
| D513,148 S | 12/2005 | Nieves |

FIG. 1 is a rear perspective view of a portable speaker system. FIG. 2 is a front perspective view of the portable speaker system FIG. 1.

FIG. 3 is a rear elevational view of the portable speaker system of FIG. 1.

FIG. 4 is a front elevational view of the portable speaker system of FIG. 1.

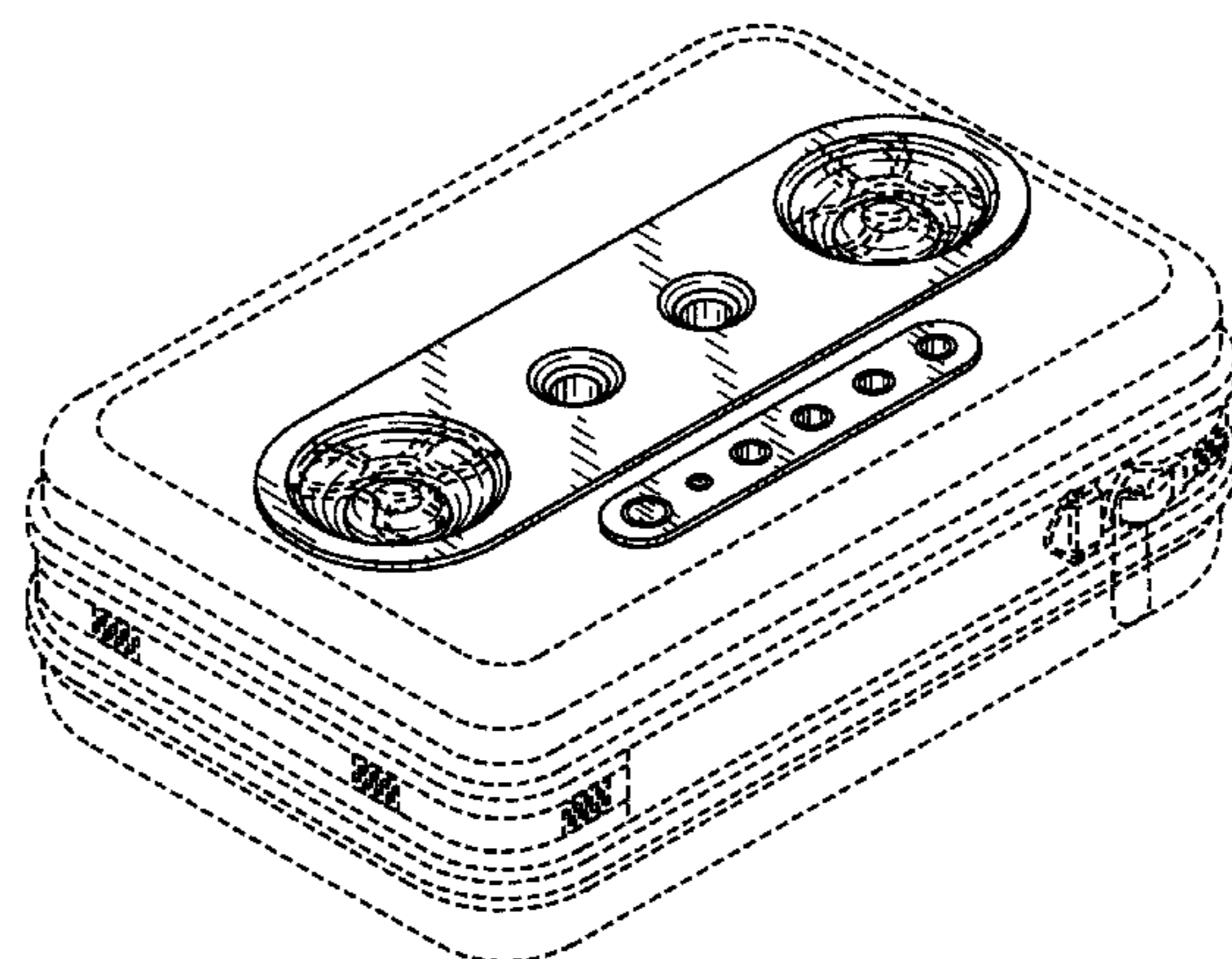
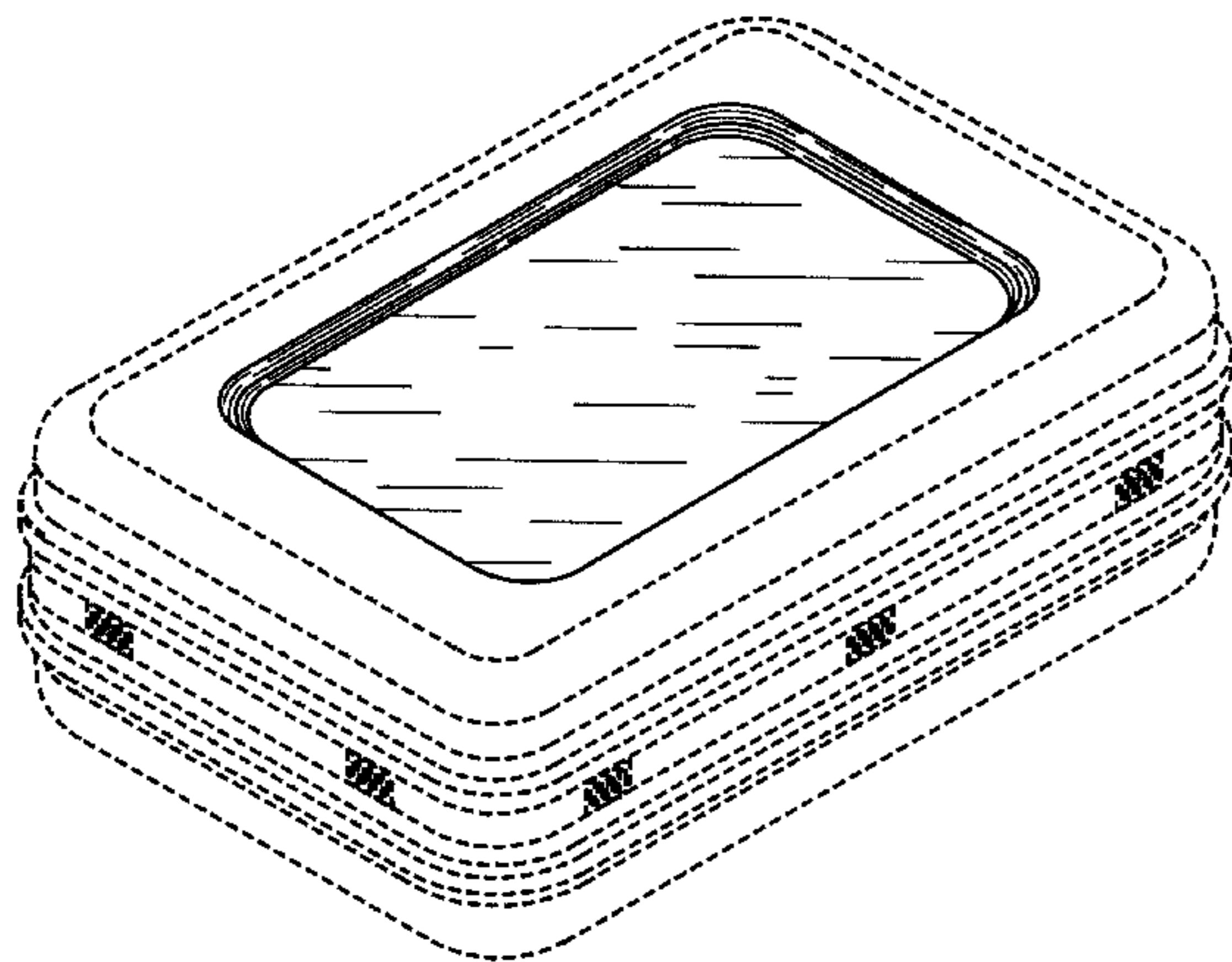
FIG. 5 is a top plan view of the portable speaker system of FIG. 1.

FIG. 6 is a bottom plan view of the portable speaker system of FIG. 1; and,

FIG. 7 is a side elevational view of the portable speaker system of FIG. 1.

The broken lines in the figures are for environmental purpose only and form no part of the claimed design.

1 Claim, 6 Drawing Sheets



US D633,082 S

Page 2

U.S. PATENT DOCUMENTS

D524,798 S 7/2006 Koizumi
7,095,867 B2 8/2006 Schul et al.
D527,722 S 9/2006 Yeh
D535,287 S 1/2007 Patel
D537,071 S 2/2007 Chen
7,184,259 B2 2/2007 Marler et al.
D538,787 S 3/2007 Tsai et al.
D540,781 S 4/2007 Patel et al.
D542,776 S 5/2007 Dayan
D569,845 S 5/2008 Ragde, Jr. et al.
D569,846 S 5/2008 Ragde, Jr. et al.
D585,427 S * 1/2009 Lee et al. D14/217

D592,184 S 5/2009 Ragde, Jr. et al.
D592,185 S 5/2009 Ragde, Jr. et al.
D596,158 S 7/2009 Ragde, Jr. et al.
2002/0088726 A1 7/2002 Chou
2006/0078143 A1 4/2006 Yang
2006/0269091 A1 11/2006 Fan
2006/0274910 A1 12/2006 Schul et al.
2007/0076911 A1 4/2007 Schul et al.

FOREIGN PATENT DOCUMENTS

JP 0501995-5M001 8/2005

* cited by examiner

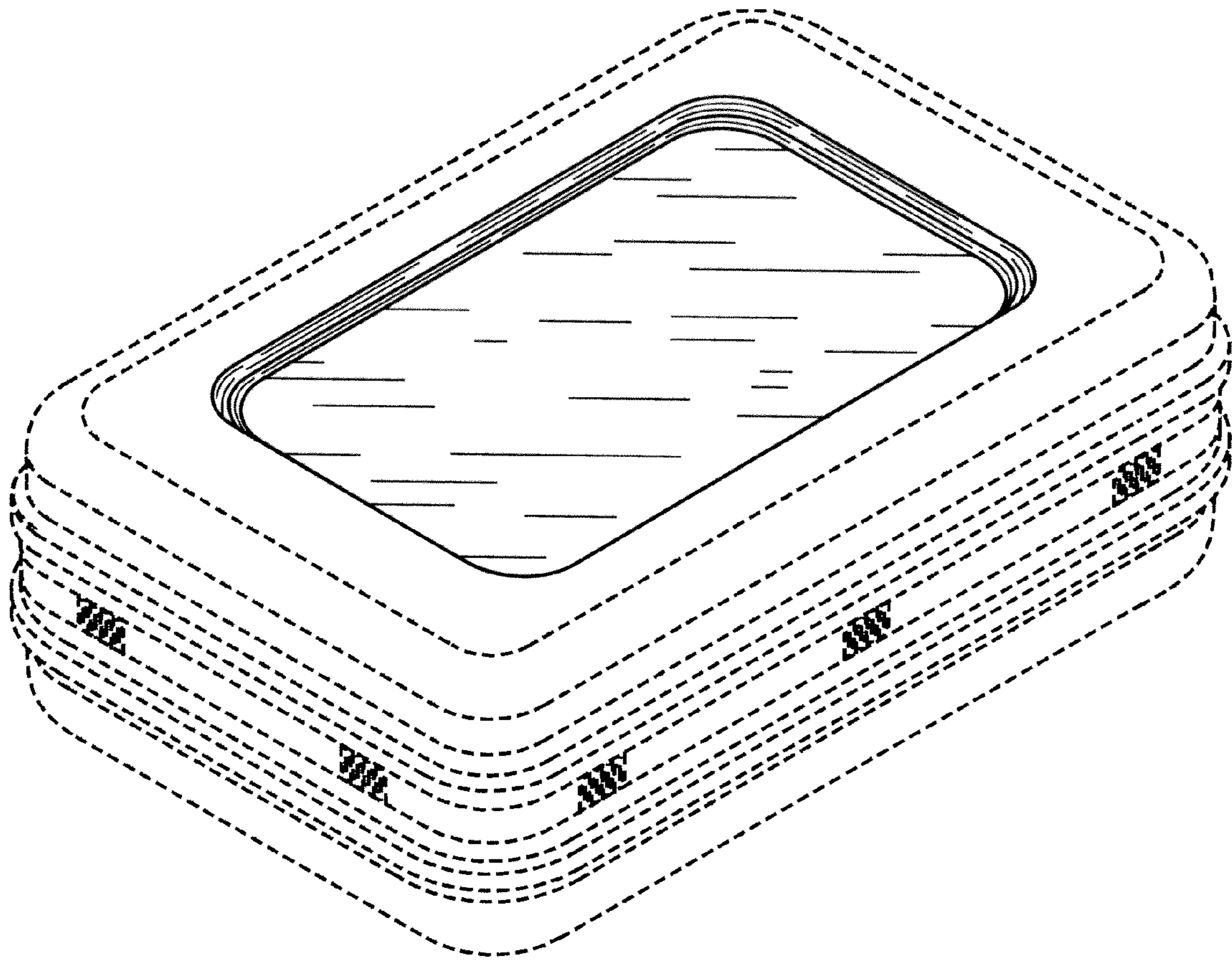


FIG. 1

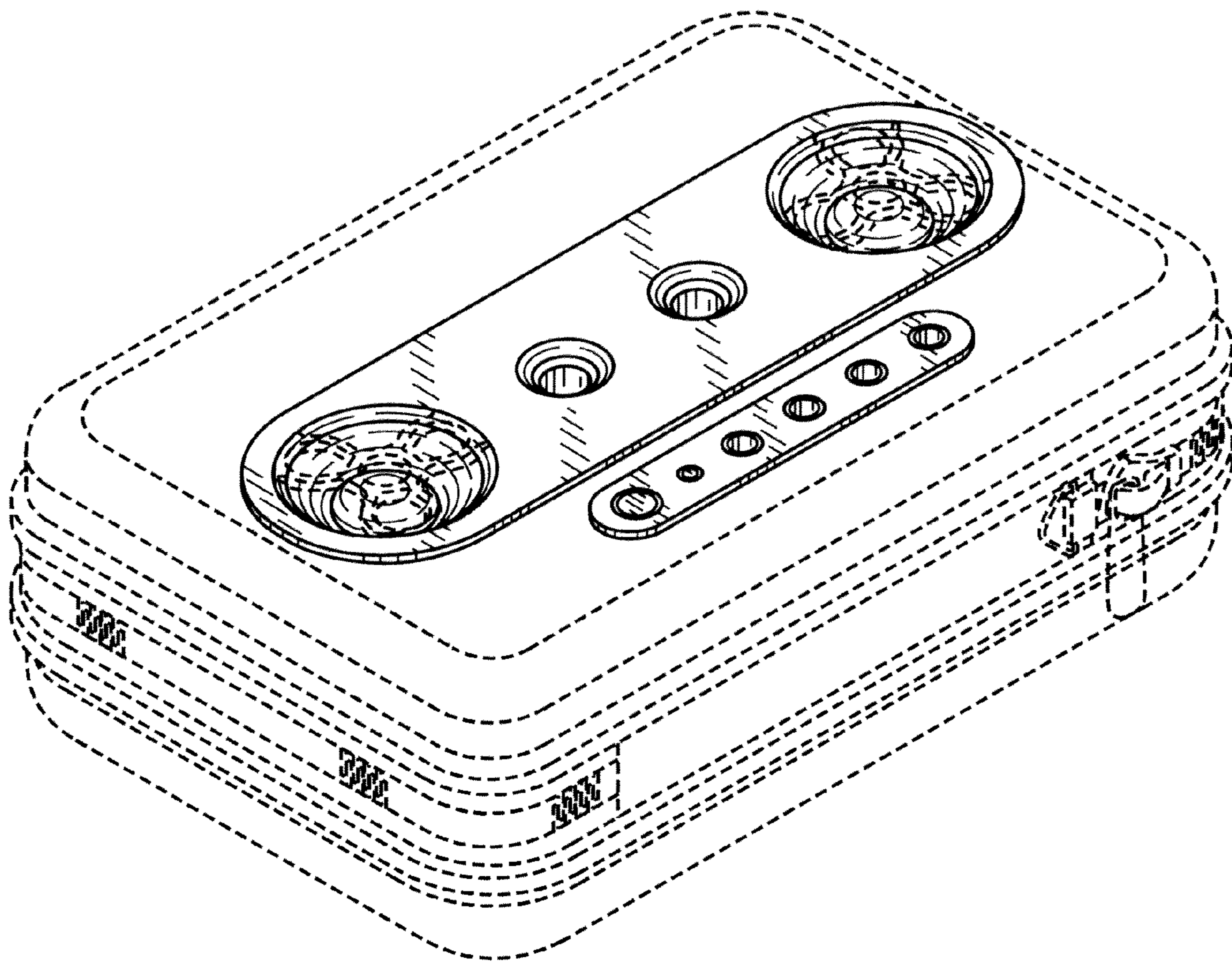


FIG. 2

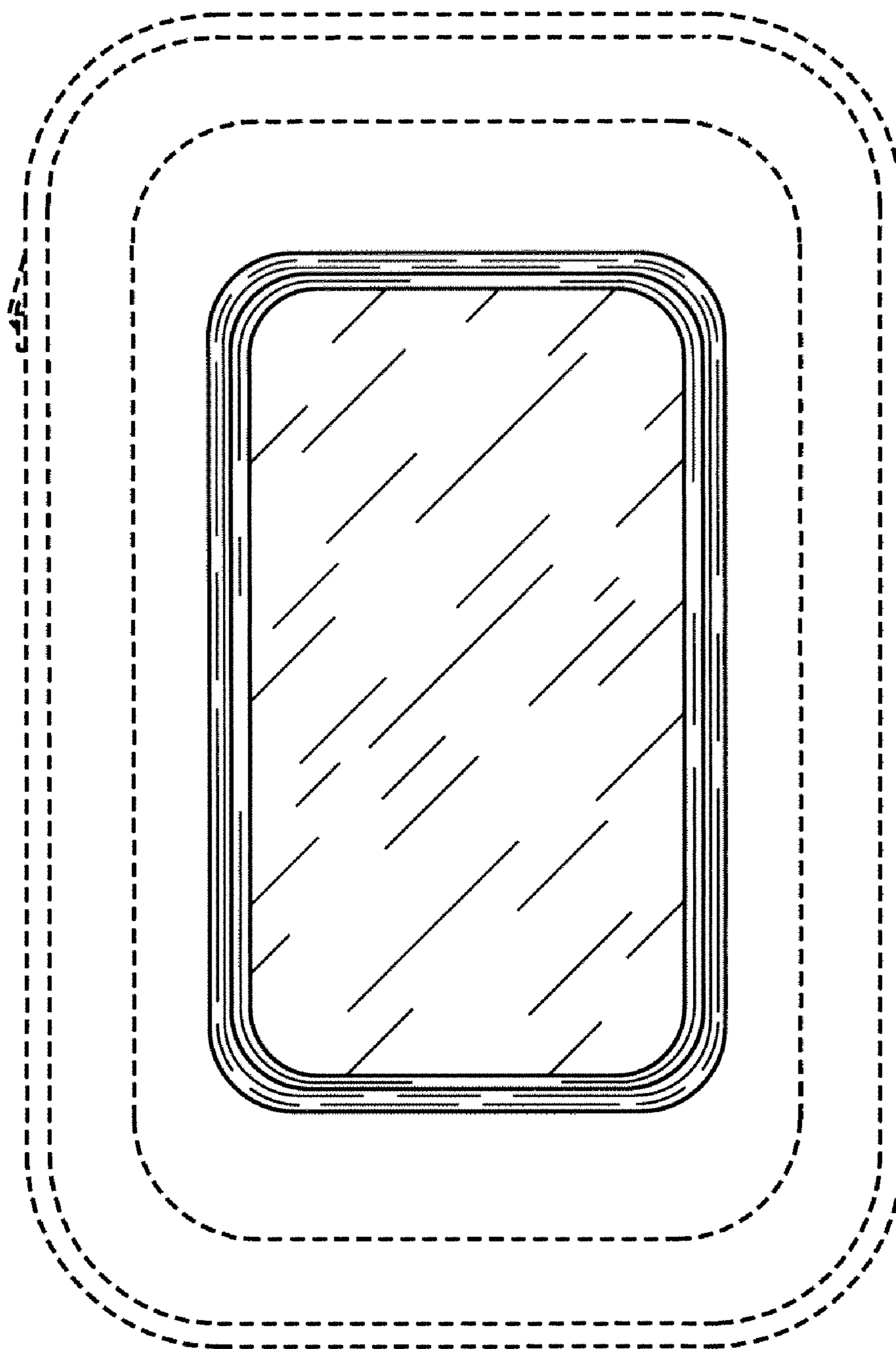


FIG. 3

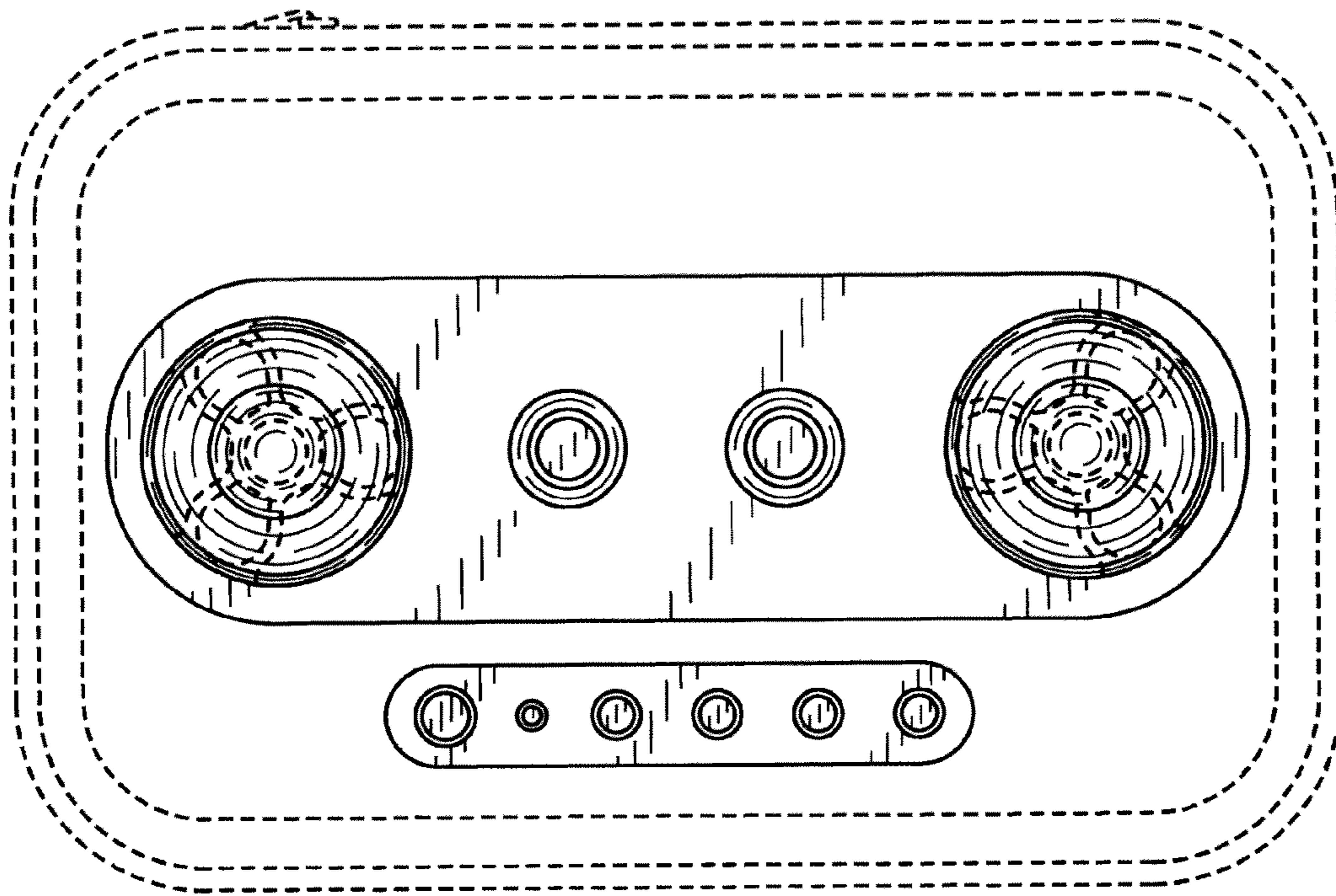


FIG. 4

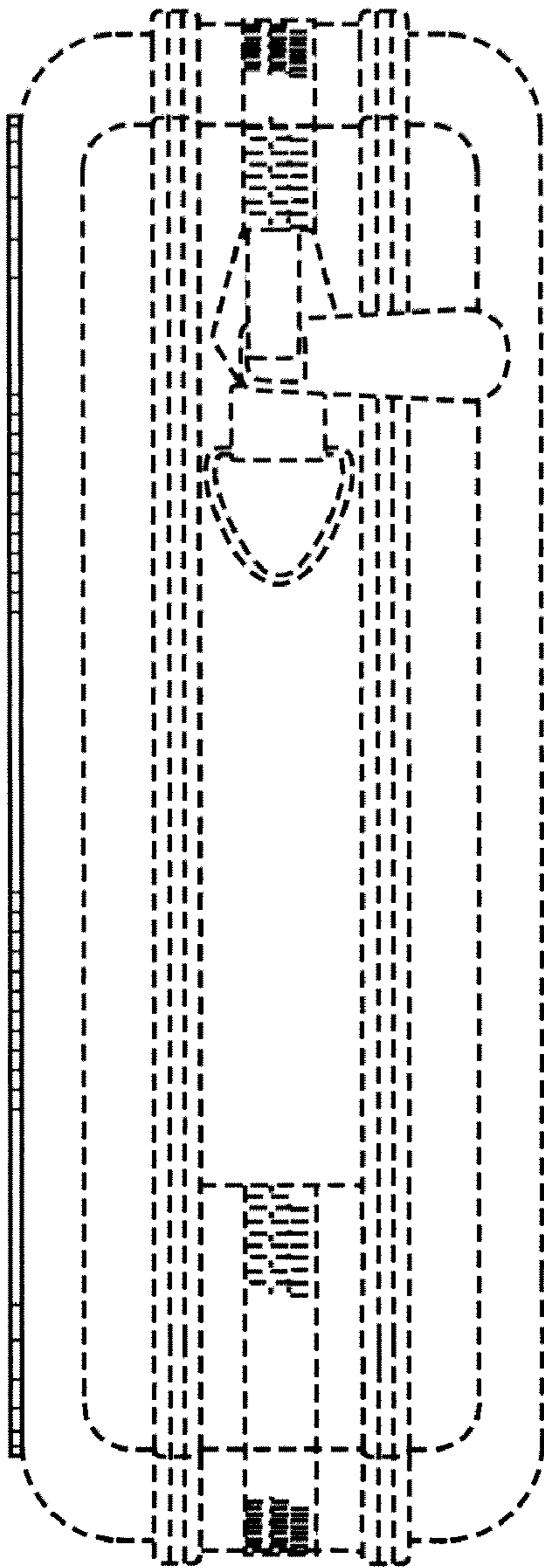


FIG. 5

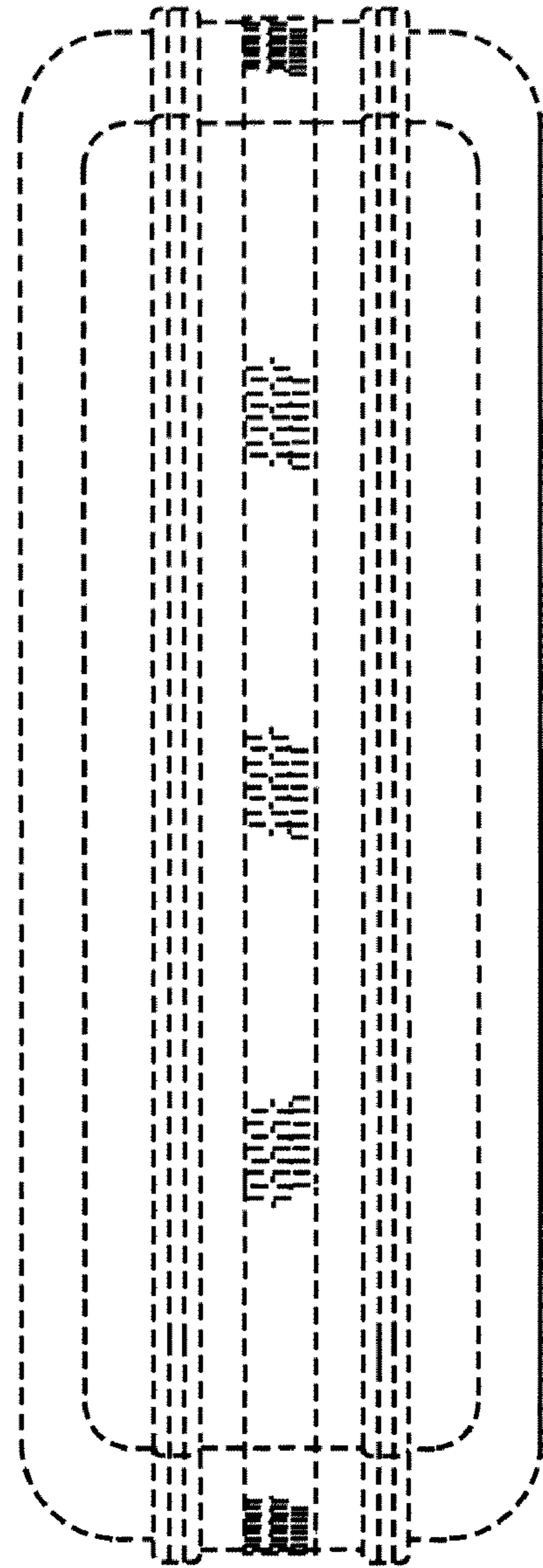


FIG. 6

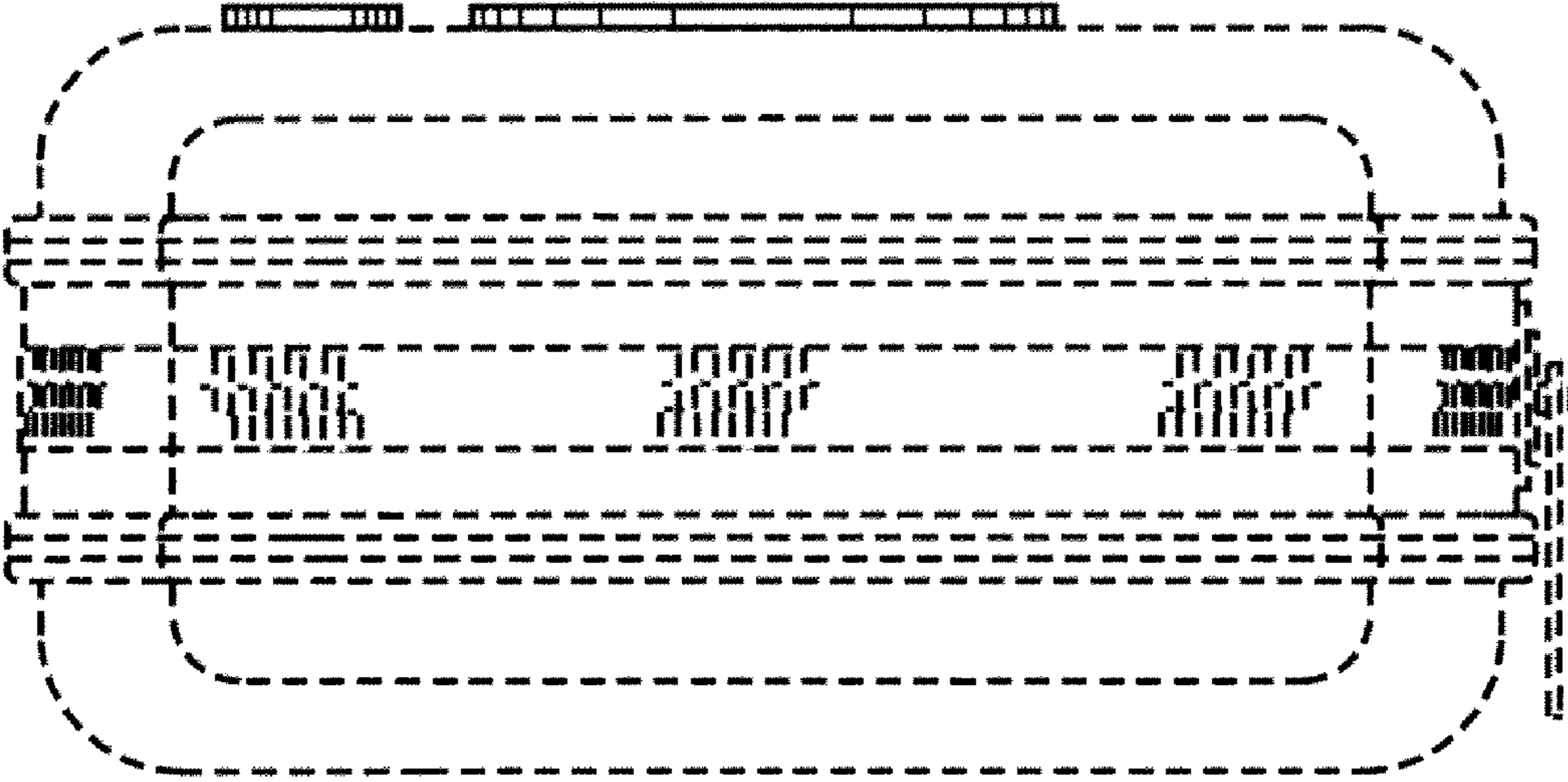


FIG. 7