



US00D633078S

(12) **United States Design Patent**
Lewis

(10) **Patent No.:** **US D633,078 S**
(45) **Date of Patent:** **** Feb. 22, 2011**

(54) **AUDIO PRODUCT**

(75) Inventor: **David Lewis**, Copenhagen N (DK)

(73) Assignee: **Bang & Olufsen A/S**, Struer (DK)

(**) Term: **14 Years**

(21) Appl. No.: **29/356,038**

(22) Filed: **Feb. 18, 2010**

(30) **Foreign Application Priority Data**

Aug. 24, 2009 (DK) DA 2009 00126

(51) **LOC (9) Cl.** **14-01**

(52) **U.S. Cl.** **D14/168; D14/172**

(58) **Field of Classification Search** D14/496,
D14/498-511, 167-168, 188, 197-198, 209.1;
360/99.02, 99.07; 369/75.11, 75.21, 77.11,
369/77.21; 720/601, 612, 619, 649, 655;
455/344, 347-351

See application file for complete search history.

(56) **References Cited**

U.S. PATENT DOCUMENTS

D496,026 S * 9/2004 Silverstein D14/214
D512,978 S * 12/2005 Ueda et al. D14/168

D535,976 S * 1/2007 Ng et al. D14/214
D587,245 S * 2/2009 Morra D14/215
D590,373 S * 4/2009 Brickstad D14/215

* cited by examiner

Primary Examiner—Nanda Bondade

(74) *Attorney, Agent, or Firm*—Buchanan Ingersoll & Rooney PC

(57) **CLAIM**

The ornamental design for an audio product, as shown and described.

DESCRIPTION

FIG. 1 is a front perspective view of an audio product showing my new design.

FIG. 2 is a rear perspective view thereof.

FIG. 3 is a front elevational view thereof.

FIG. 4 is a rear elevational view thereof.

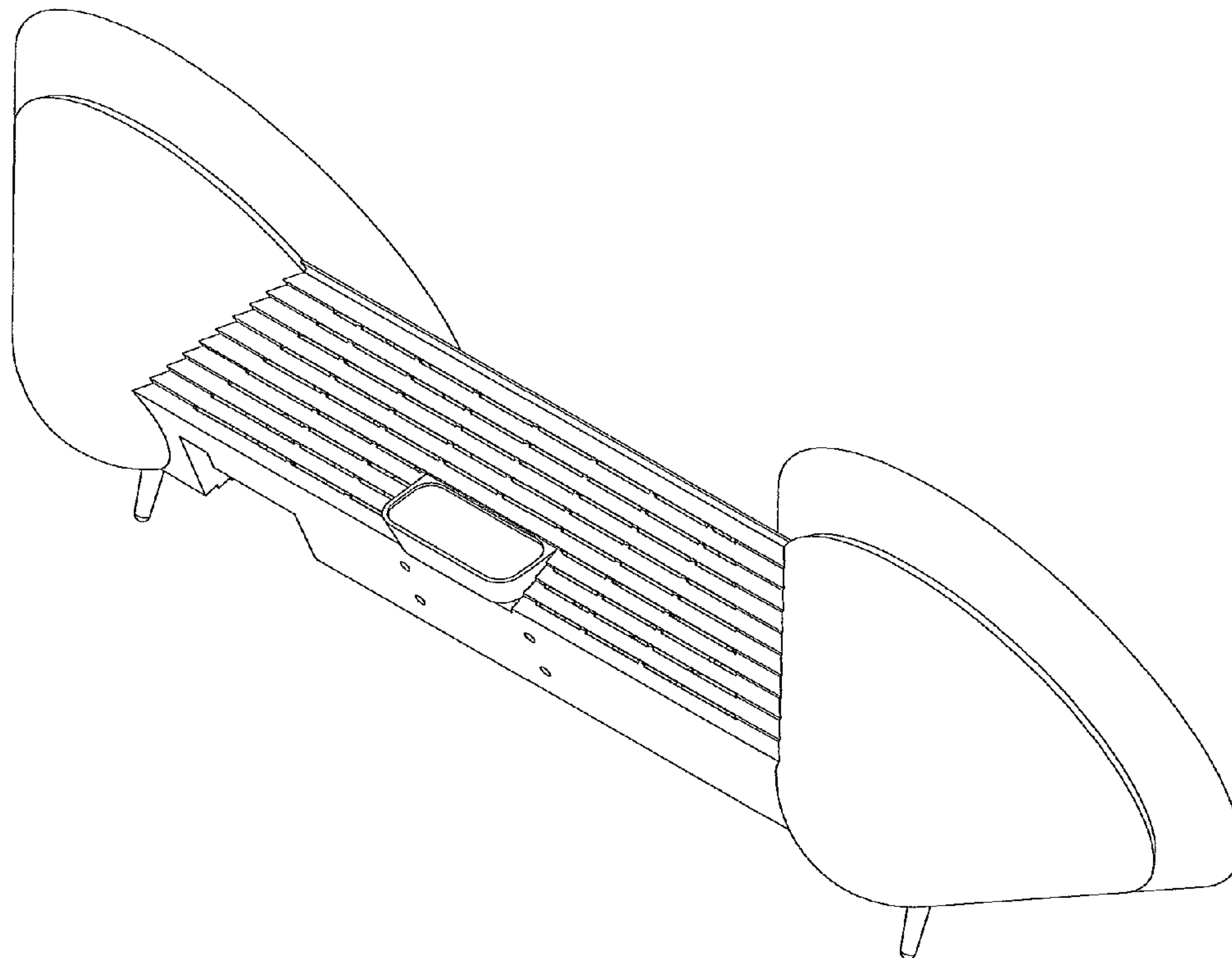
FIG. 5 is a left side elevational view thereof.

FIG. 6 is a right side elevational view thereof.

FIG. 7 is a top plan view thereof; and,

FIG. 8 is a bottom plan view thereof.

1 Claim, 8 Drawing Sheets



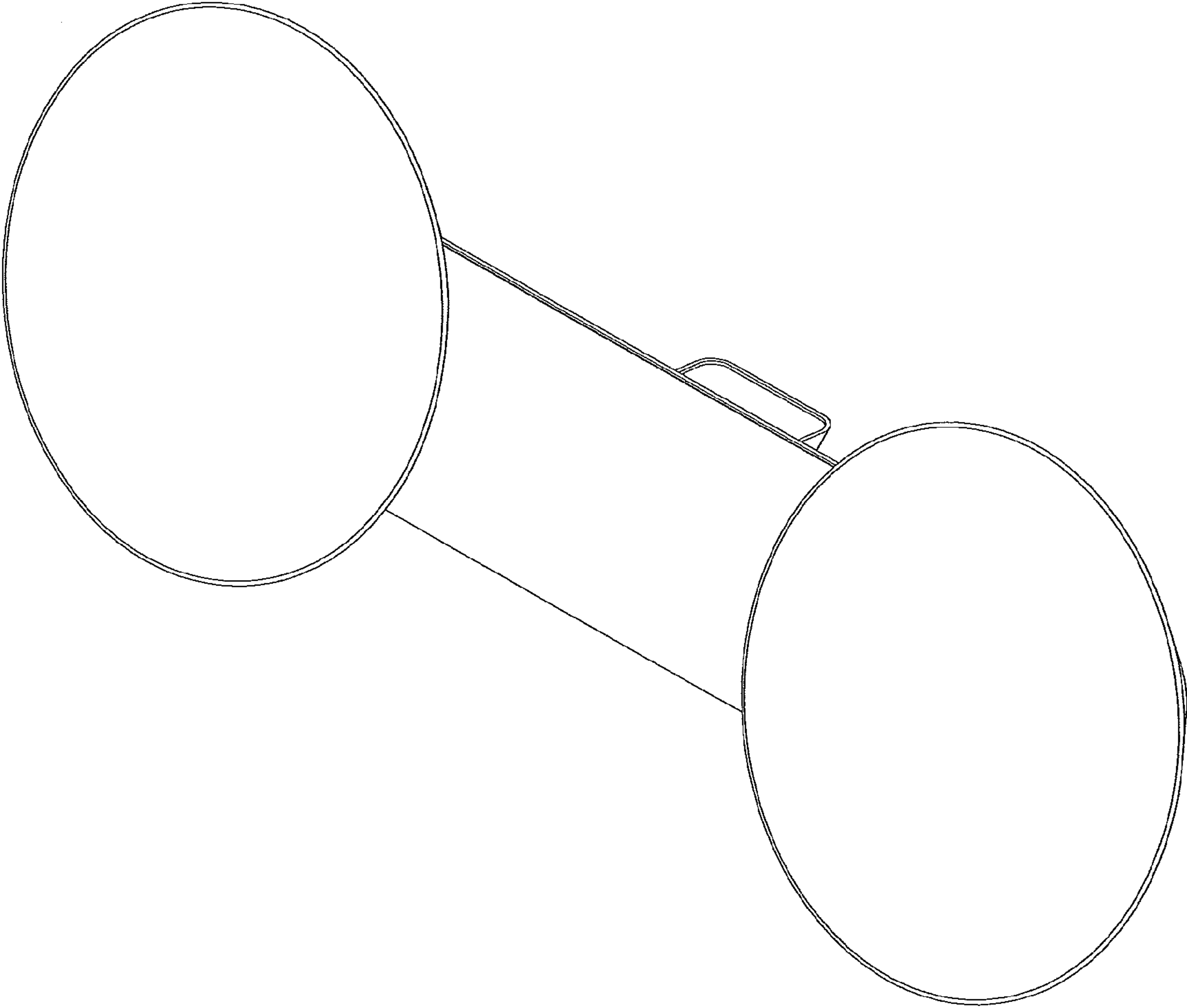


FIG. 1

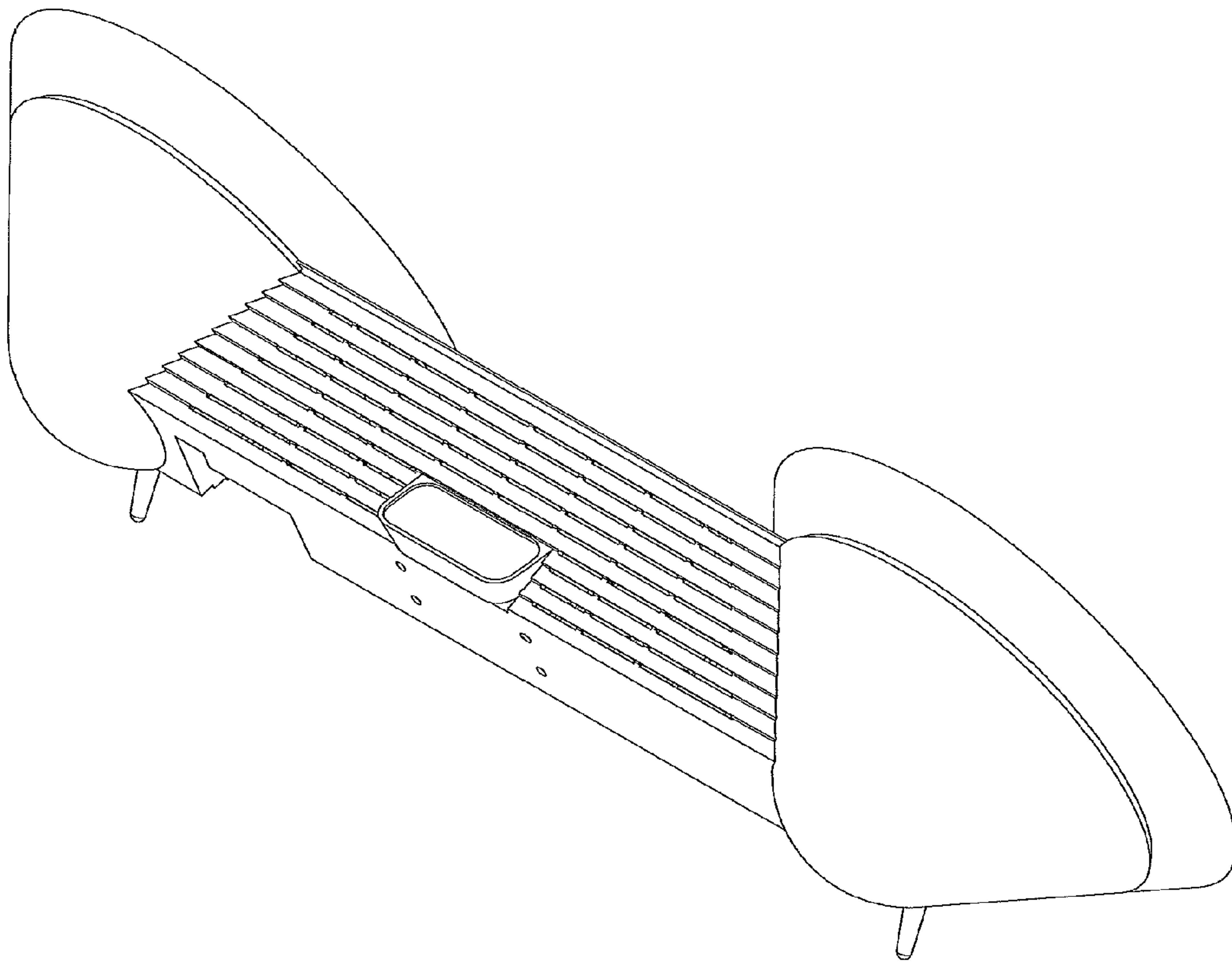


FIG. 2

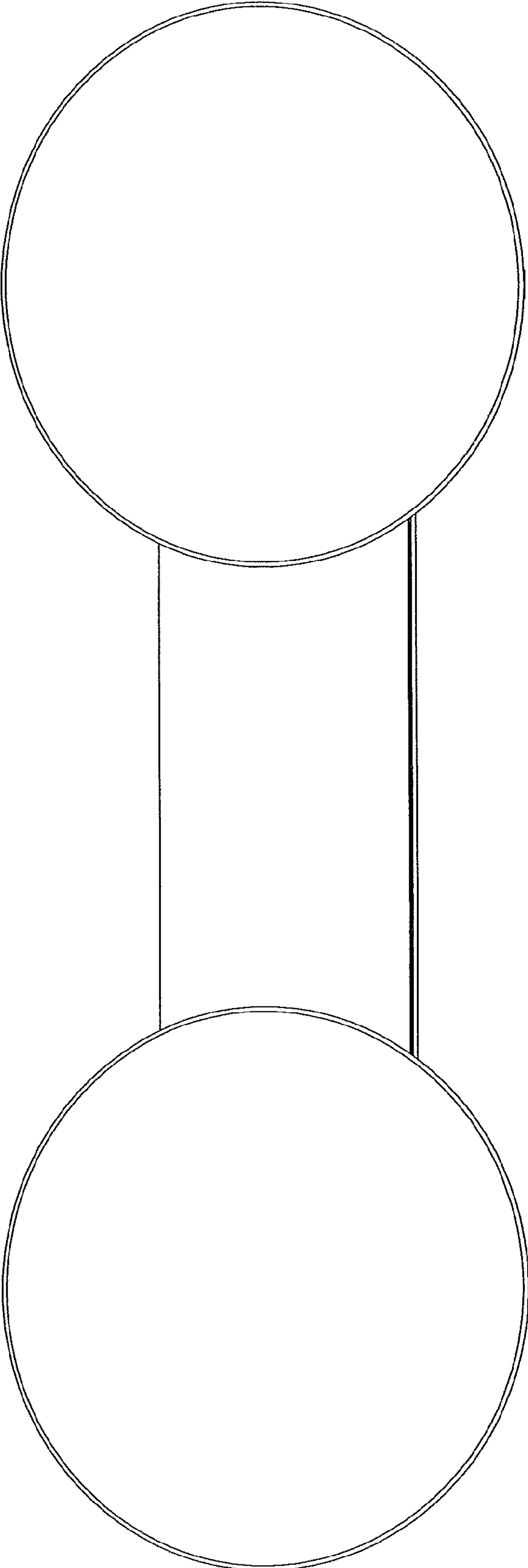


FIG. 3

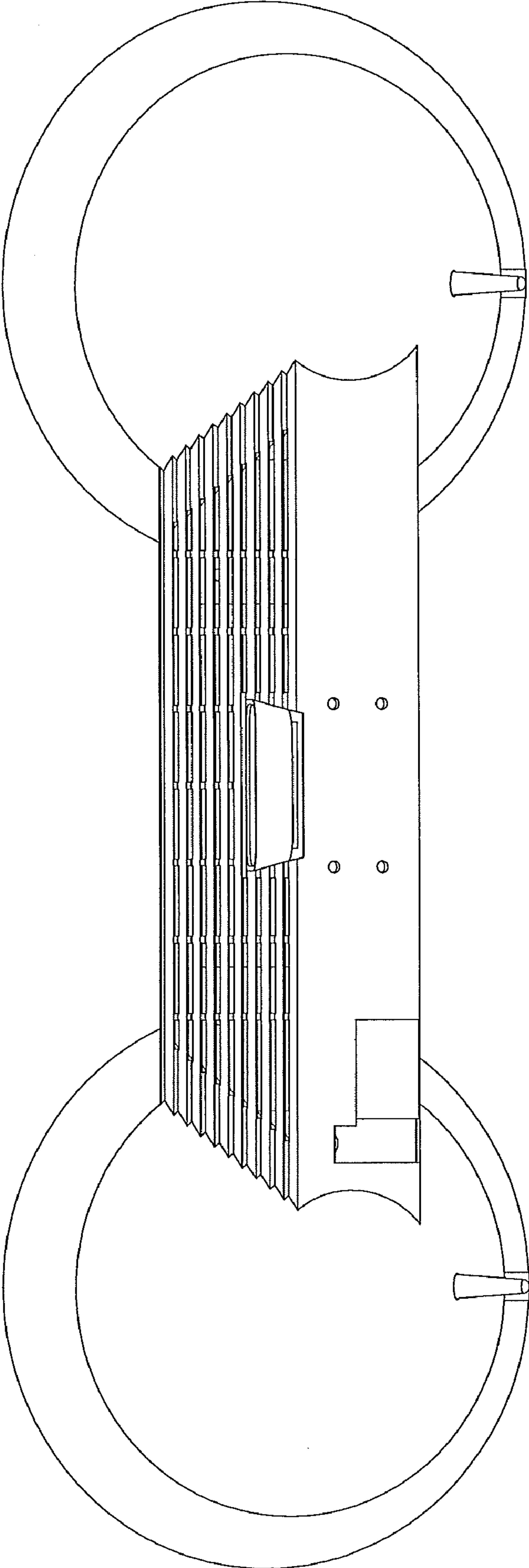


FIG. 4

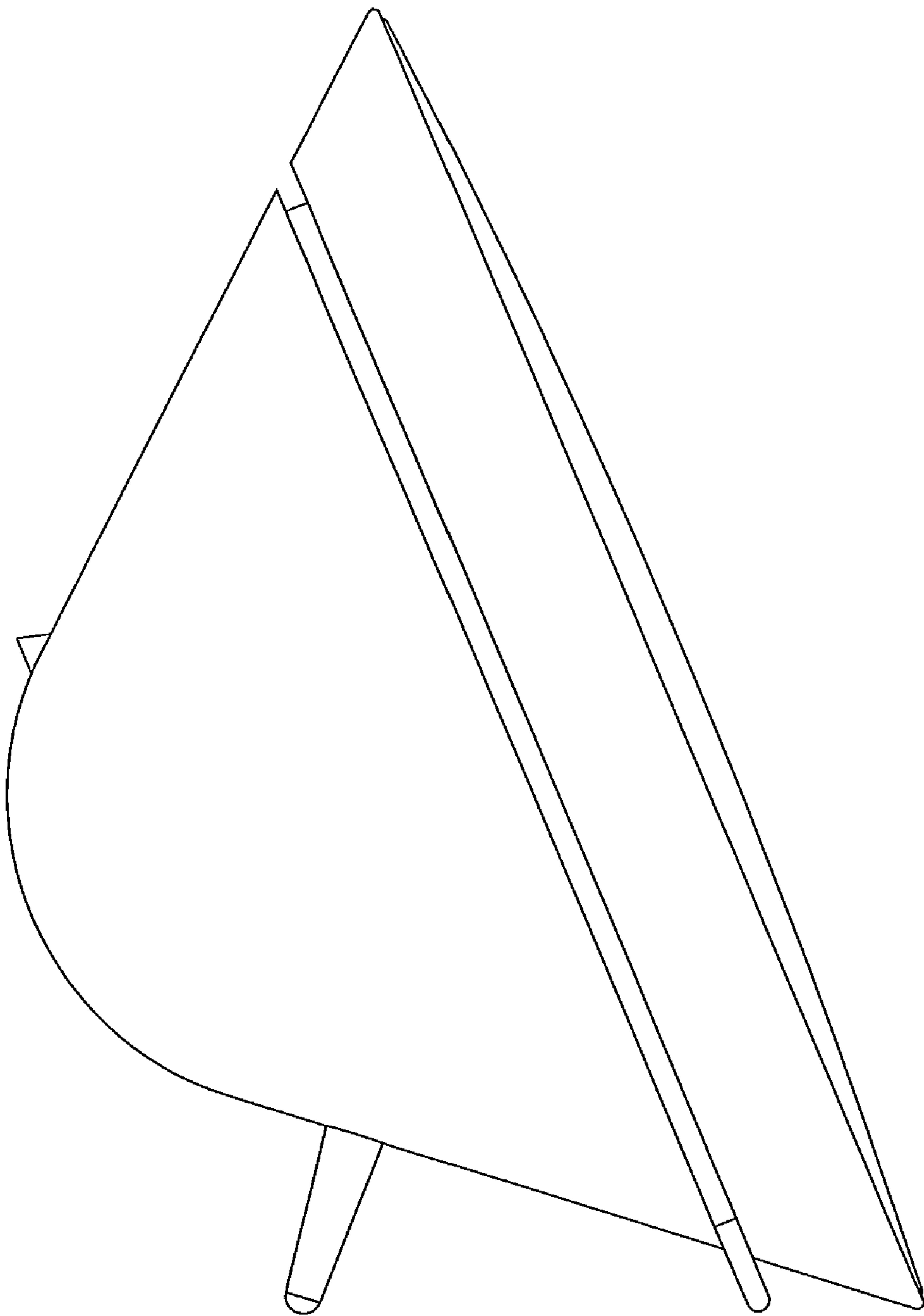


FIG. 5

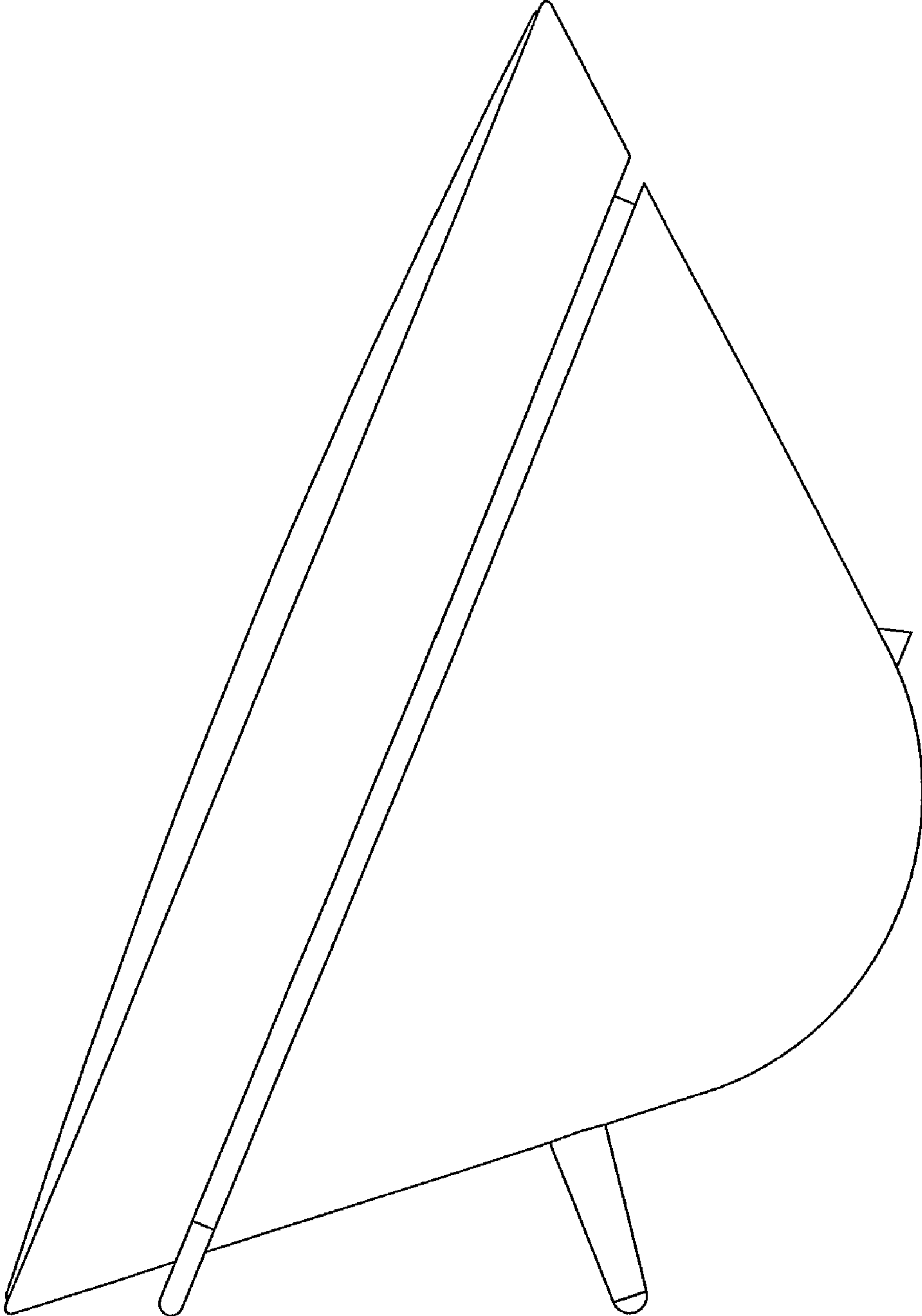


FIG. 6

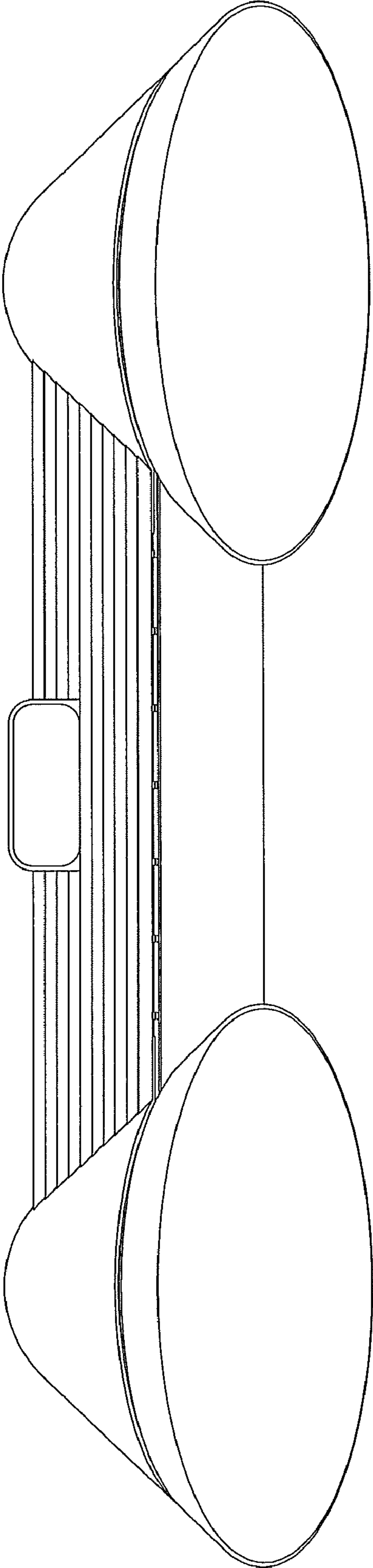


FIG. 7

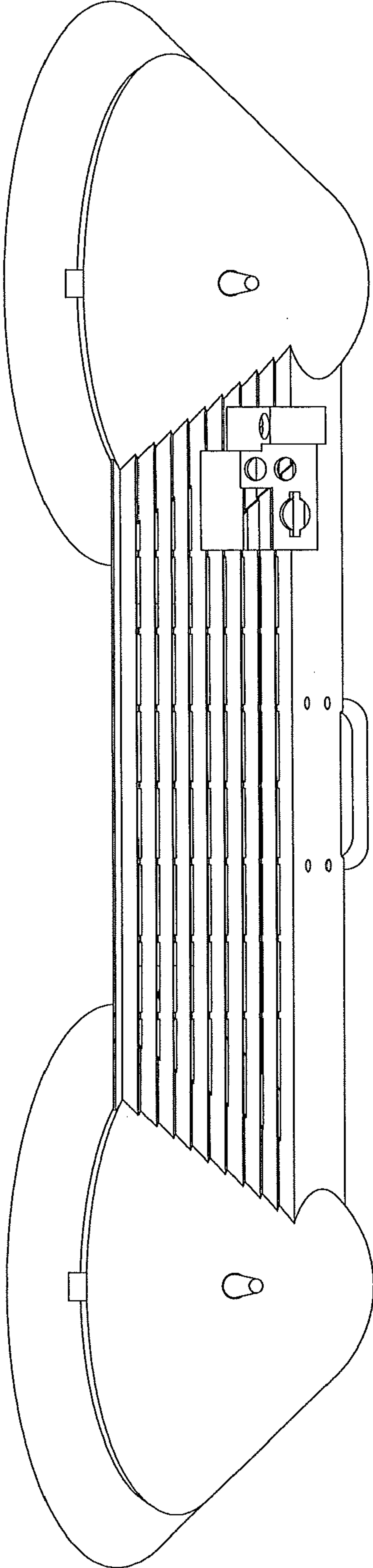


FIG. 8