



US00D633075S

(12) **United States Design Patent**
Kim et al.

(10) **Patent No.:** **US D633,075 S**
(45) **Date of Patent:** **** Feb. 22, 2011**

(54) **HOME THEATER**

(75) Inventors: **Ji-Gwang Kim**, Seoul (KR); **Chae-Joo Son**, Kyunggi-do (KR); **Seok-Won Hong**, Seoul (KR)

(73) Assignee: **Samsung Electronics Co., Ltd.**, Suwon, Kyunggi-do (KR)

(**) Term: **14 Years**

(21) Appl. No.: **29/348,967**

(22) Filed: **Feb. 25, 2010**

(51) **LOC (9) Cl.** **14-01**

(52) **U.S. Cl.** **D14/168; D14/502**

(58) **Field of Classification Search** D14/204, D14/210-216, 168, 172, 496, 498-505; 181/143-144, 181/147-148, 150-153, 157, 198-199; 381/300-303, 381/306, 332-333, 336, 345, 361-364, 386-388; 360/99.02, 99.07; 369/75.11, 75.21, 77.11, 369/77.21; 455/344, 347-351
See application file for complete search history.

(56) **References Cited**

U.S. PATENT DOCUMENTS

D502,934 S * 3/2005 Rose D14/168
D517,040 S * 3/2006 Hasegawa et al. D14/168
D529,019 S 9/2006 Lim
D548,222 S 8/2007 Kim
D551,204 S * 9/2007 Lewis D14/168

D551,665 S 9/2007 Tom et al.
D561,142 S 2/2008 Oh
D587,237 S 2/2009 Son et al.
D587,282 S * 2/2009 Kim et al. D14/499

OTHER PUBLICATIONS

U.S. Appl. No. 29/348 969, Applicant: Ji-Gwang Kim et al., filed Feb. 25, 2010 entitled Home Theater.

* cited by examiner

Primary Examiner—Nanda Bondade
(74) *Attorney, Agent, or Firm*—Flynn, Thiel, Boutell & Tanis, P.C.

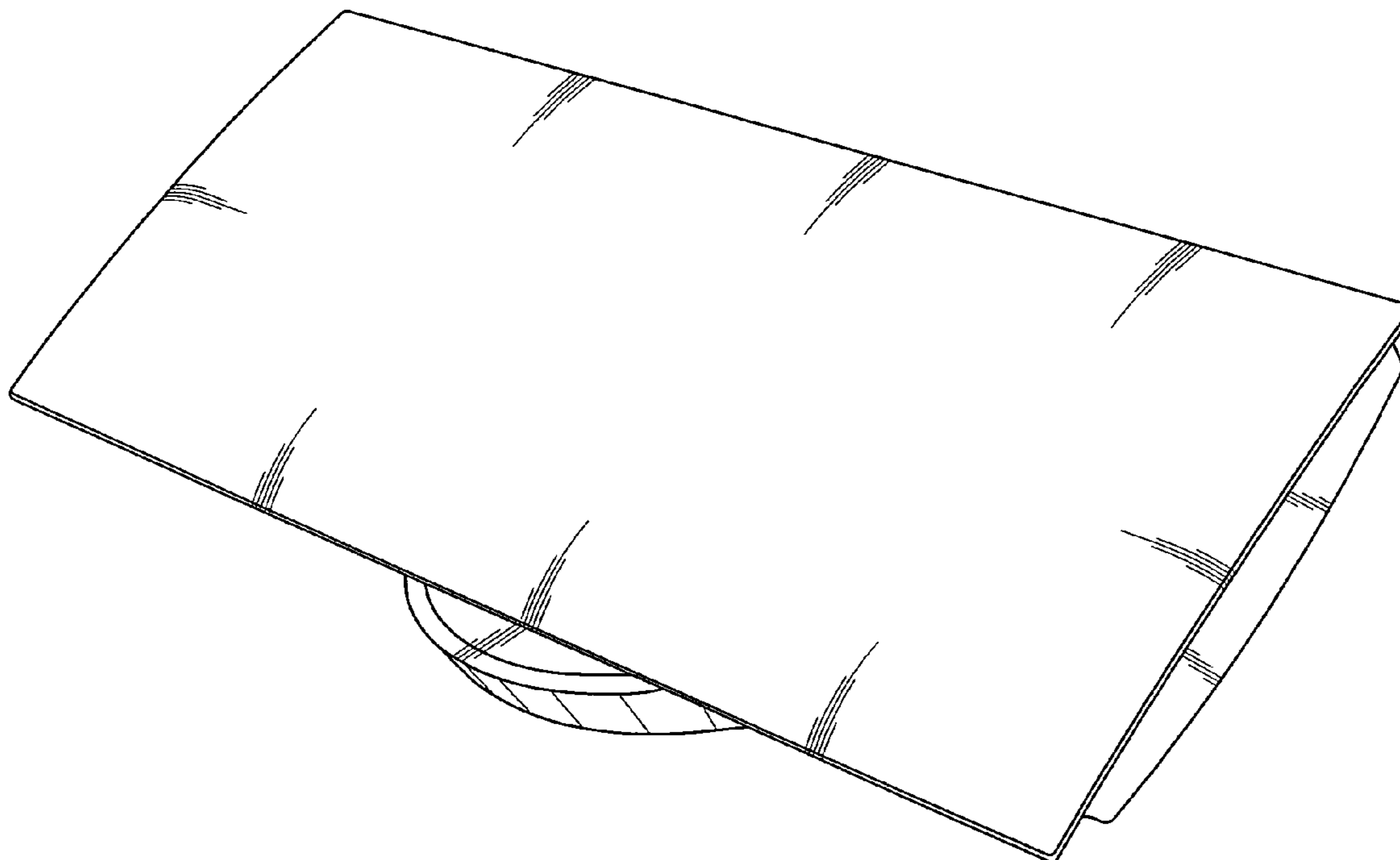
(57) **CLAIM**

The ornamental design for a home theater, as shown and described.

DESCRIPTION

FIG. 1 is a top front perspective view of a home theater showing our new design;
FIG. 2 is a front elevational view thereof;
FIG. 3 is a rear elevational view thereof;
FIG. 4 is a left side elevational view thereof;
FIG. 5 is a right side elevational view thereof;
FIG. 6 is a top plan view thereof; and,
FIG. 7 is a bottom plan view thereof.

1 Claim, 4 Drawing Sheets



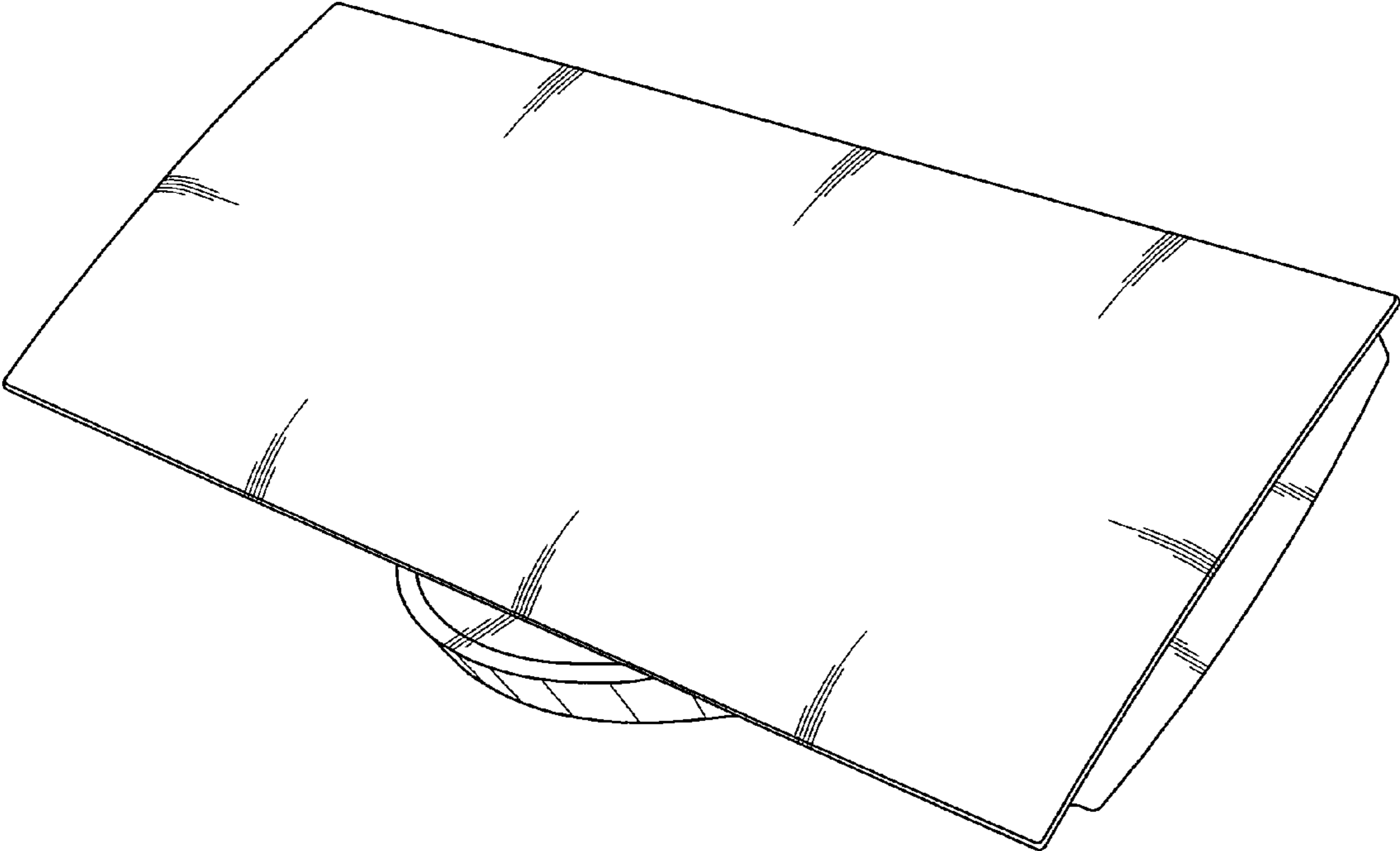


FIG. 1

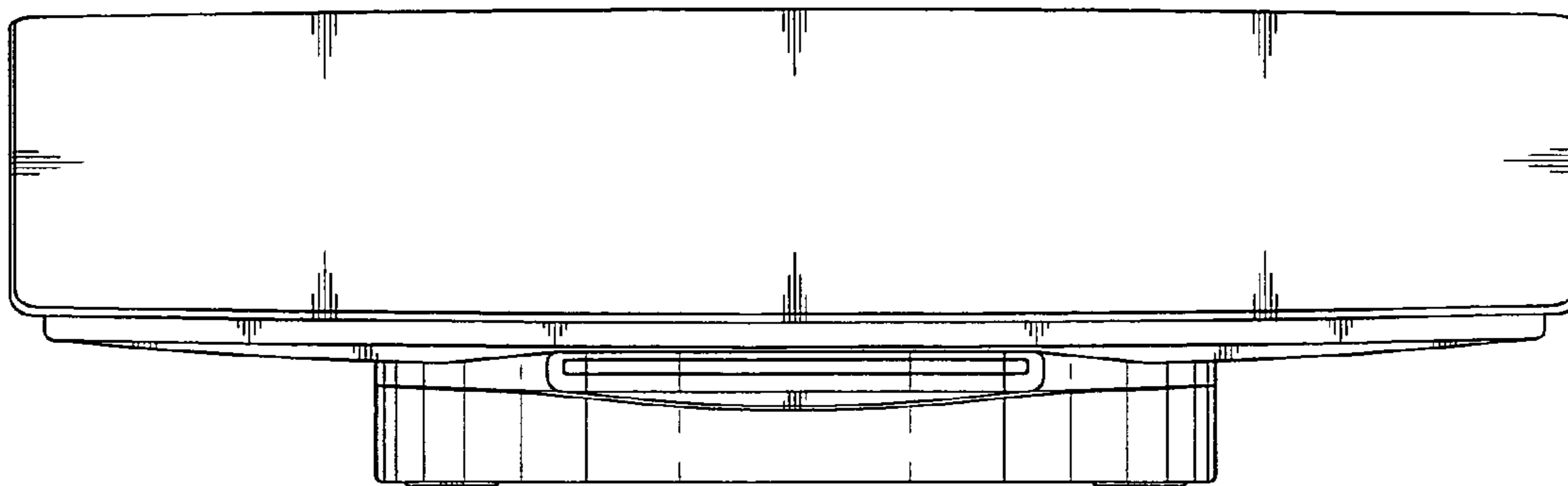


FIG. 2

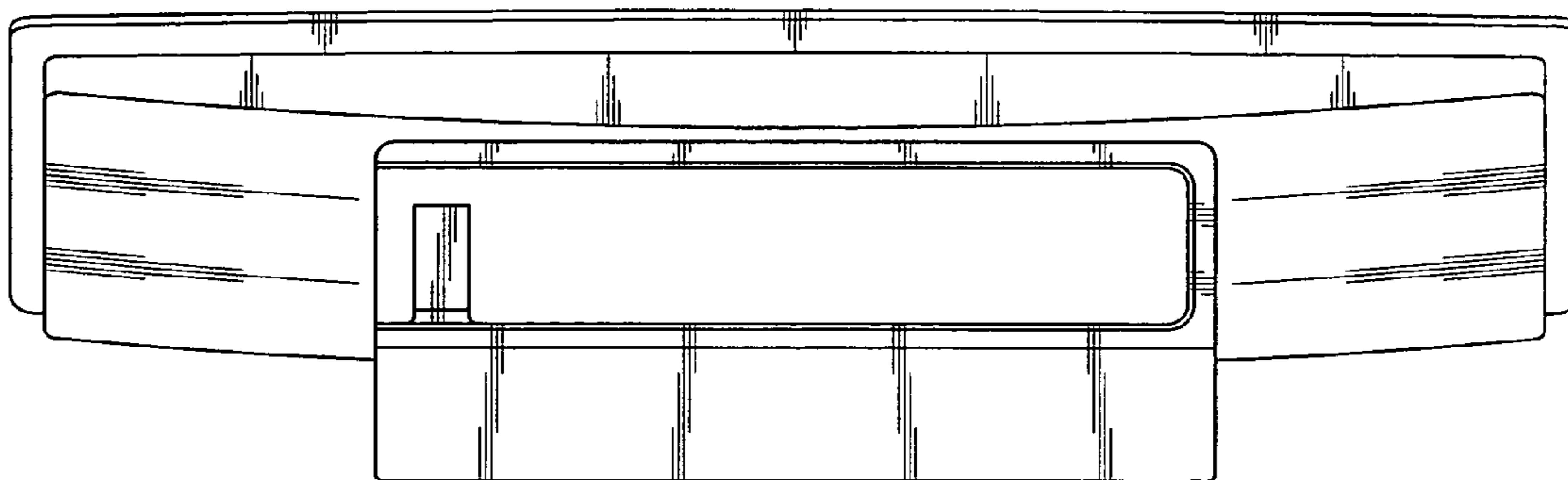


FIG. 3

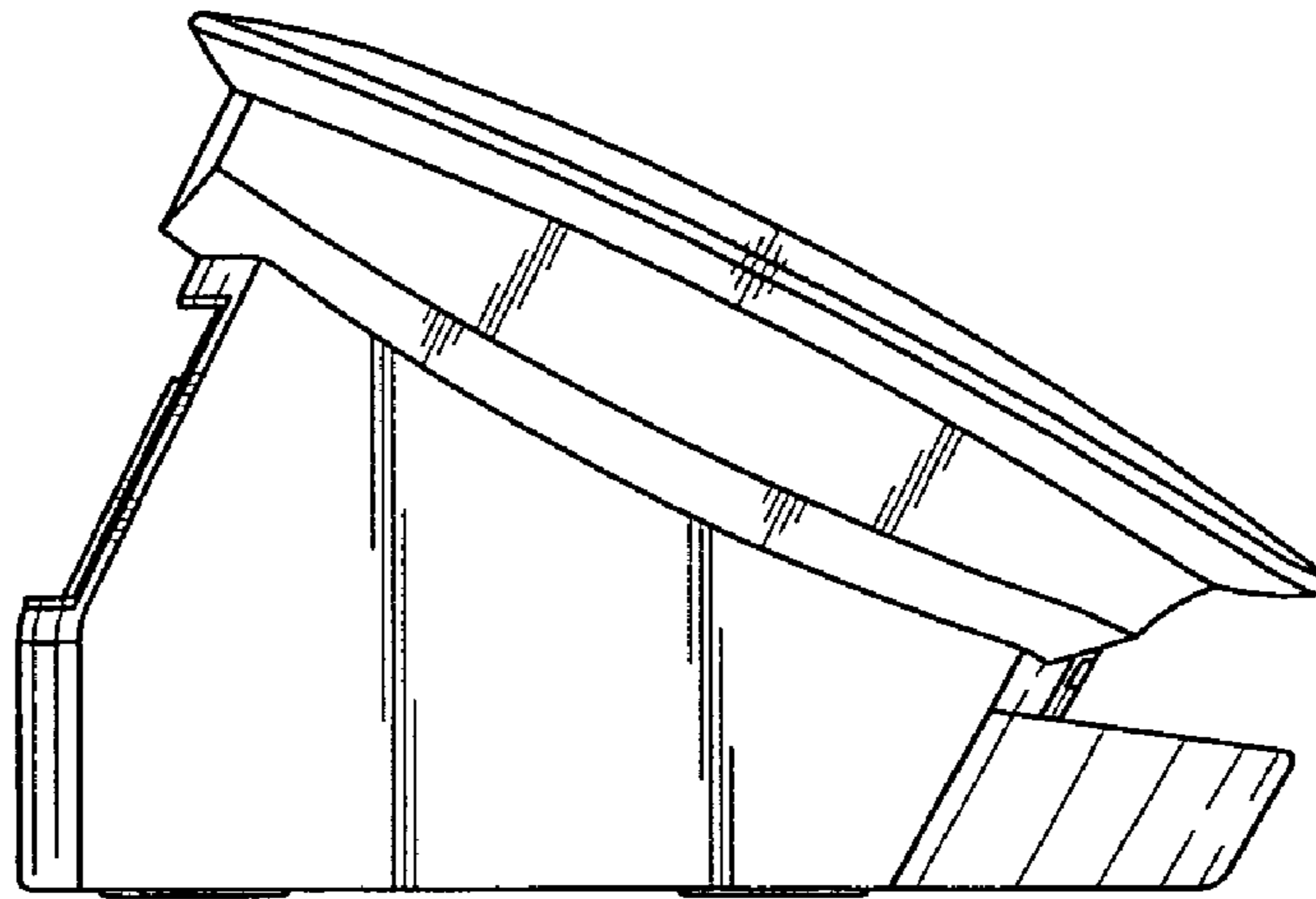


FIG. 4

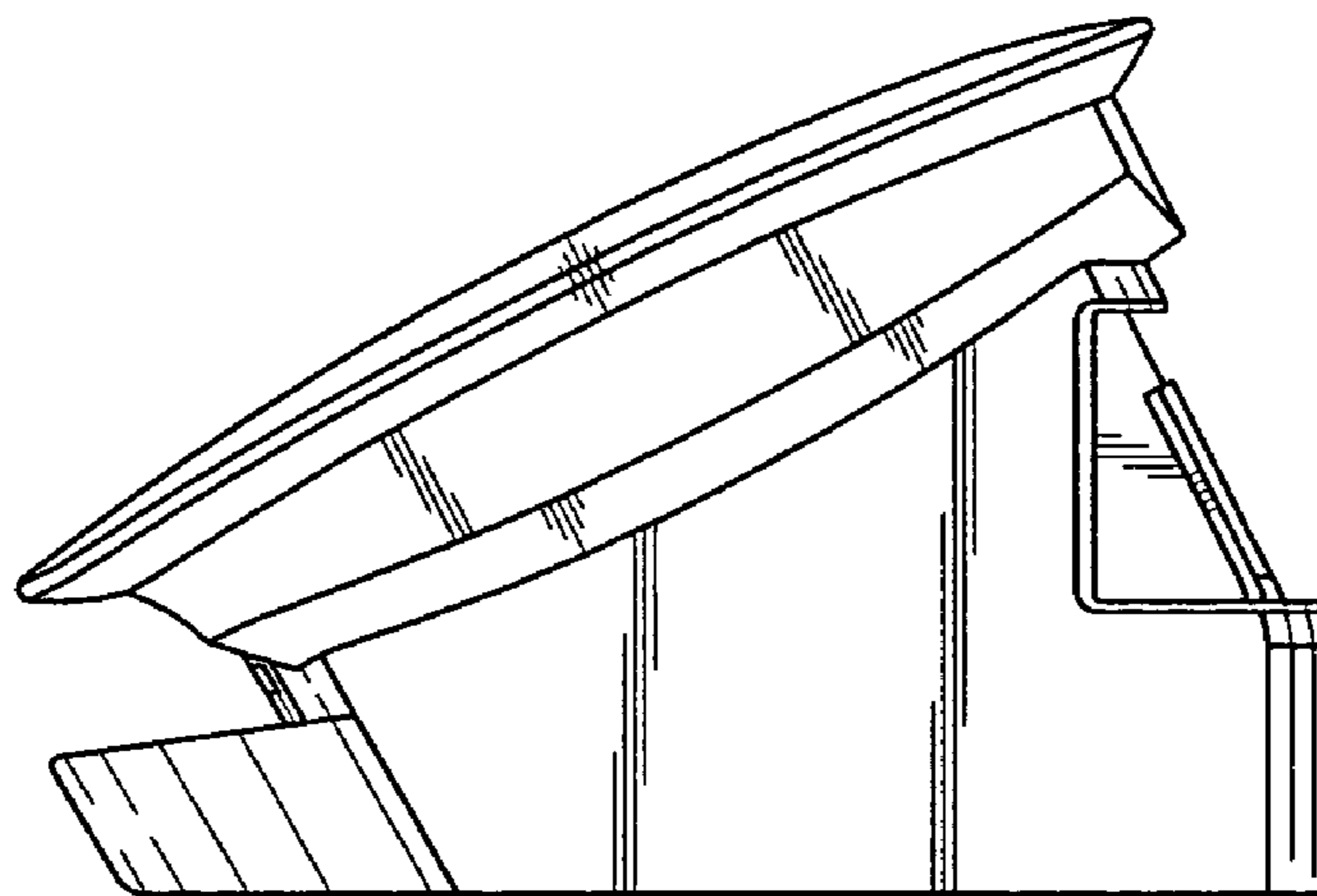


FIG. 5

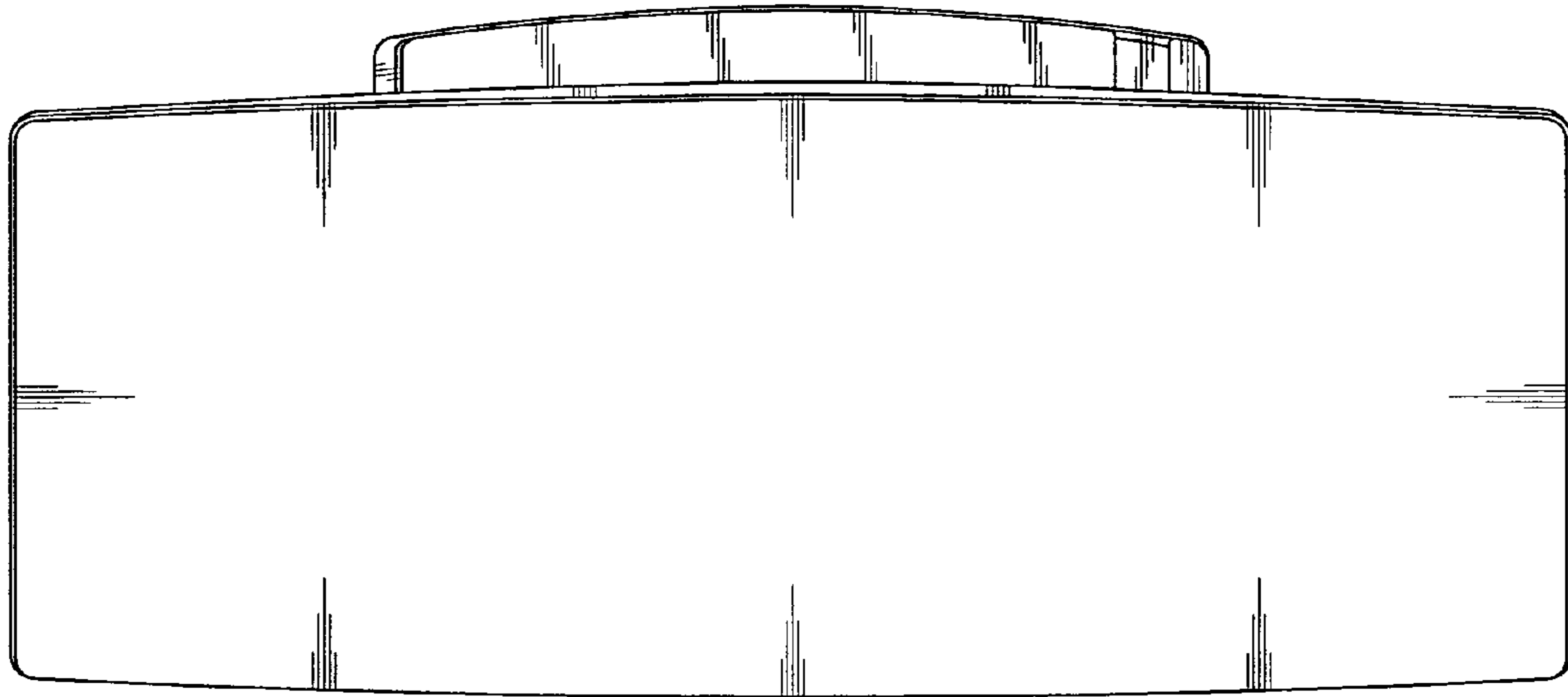


FIG. 6

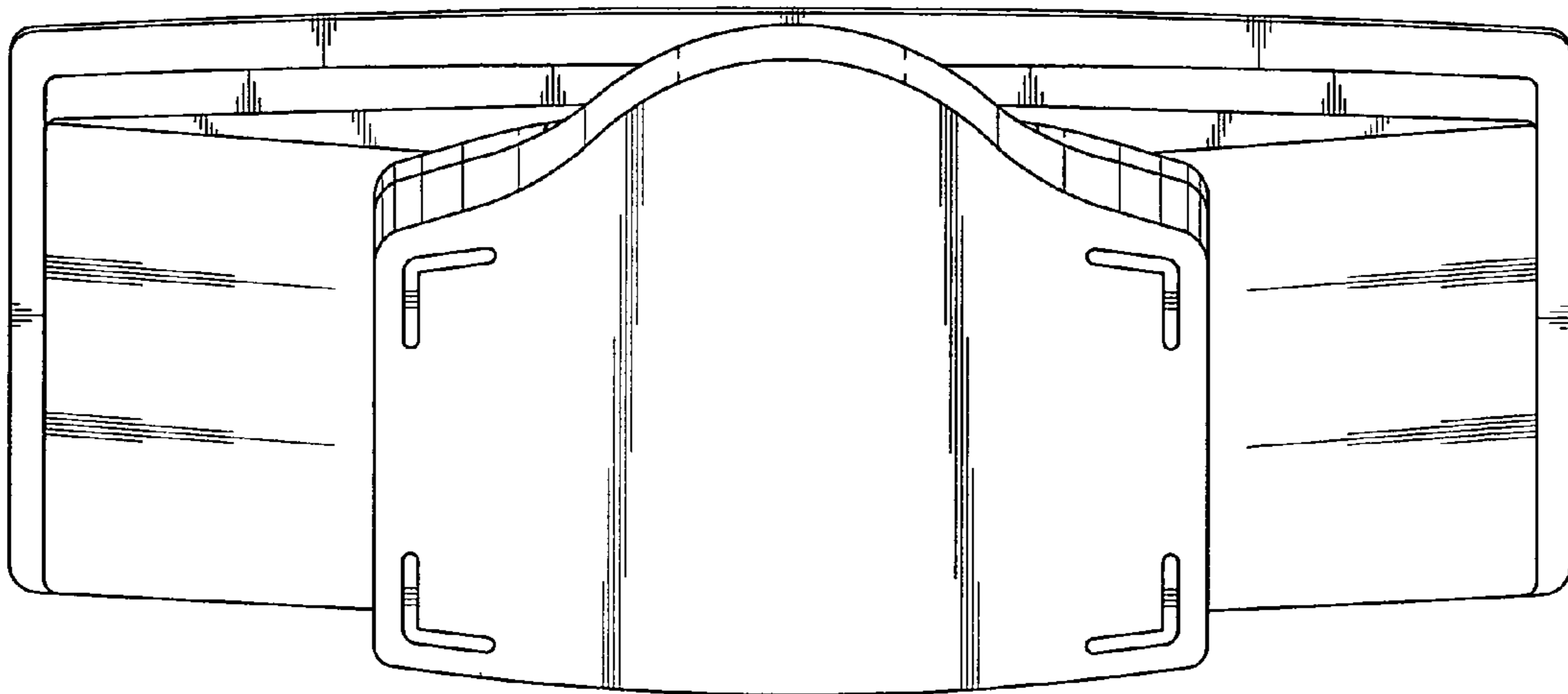


FIG. 7