



US00D633073S

(12) **United States Design Patent**  
**Tomono et al.**

(10) **Patent No.:** **US D633,073 S**  
(45) **Date of Patent:** **\*\* Feb. 22, 2011**

(54) **DIGITAL AUDIO DISC PLAYER WITH  
TUNER AND AMPLIFIER FOR AUTOMOBILE**

JP 1328589 S 4/2008  
JP 1362418 S 6/2008  
JP 1362416 S 6/2009

(75) Inventors: **Mizuki Tomono**, Tokyo (JP); **Takashi  
Matsumura**, Tokyo (JP)

**OTHER PUBLICATIONS**

(73) Assignee: **Pioneer Corporation**, Tokyo (JP)

Pioneer's product catalogue, "Carrozzeria" issued on May 2006; vol. 1; p. 26.

(\*\*) Term: **14 Years**

Pioneer's product catalogue, "Carrozzeria"; issued on Jan. 2007; vol. 1; pp. 29-32.

(21) Appl. No.: **29/357,710**

Pioneer's product catalogue, "Carrozzeria"; issued on May 2008; vol. 2; pp. 23-26.

(22) Filed: **Mar. 16, 2010**

Pioneer's product catalogue, "Carrozzeria"; issued on May 2009; vol. 2; pp. 19-22.

(30) **Foreign Application Priority Data**

\* cited by examiner

Oct. 21, 2009 (JP) ..... 2009-024638

*Primary Examiner*—Nanda Bondade

(74) *Attorney, Agent, or Firm*—Sughrue Mion, PLLC

(51) **LOC (9) Cl.** ..... **14-01**

(57) **CLAIM**

(52) **U.S. Cl.** ..... **D14/157**

(58) **Field of Classification Search** ..... D14/496,  
D14/498-505, 137, 157, 168, 188, 197-198,  
D14/257-258; 360/99.02, 99.07; 369/75.11,  
369/75.21, 77.11, 77.21; 720/601, 612, 619,  
720/649, 655; 455/344, 347-351  
See application file for complete search history.

The ornamental design for a digital audio disc player with tuner and amplifier for automobile, as shown and described.

**DESCRIPTION**

(56) **References Cited**

**U.S. PATENT DOCUMENTS**

D528,101 S \* 9/2006 Yoshihara ..... D14/157  
D537,055 S \* 2/2007 Endo et al. .... D14/502  
D565,535 S \* 4/2008 Muto ..... D14/157  
D571,350 S \* 6/2008 Iwamoto et al. .... D14/157

FIG. 1 is a perspective view of the front, top and right side of a digital audio disc player with tuner and amplifier for automobile showing our new design;

FIG. 2 is an exploded perspective view with front panel being removed thereof;

FIG. 3 is a front view thereof;

FIG. 4 is a rear view thereof;

FIG. 5 is a left side view thereof;

FIG. 6 is a right side view thereof;

FIG. 7 is a top plan view thereof; and,

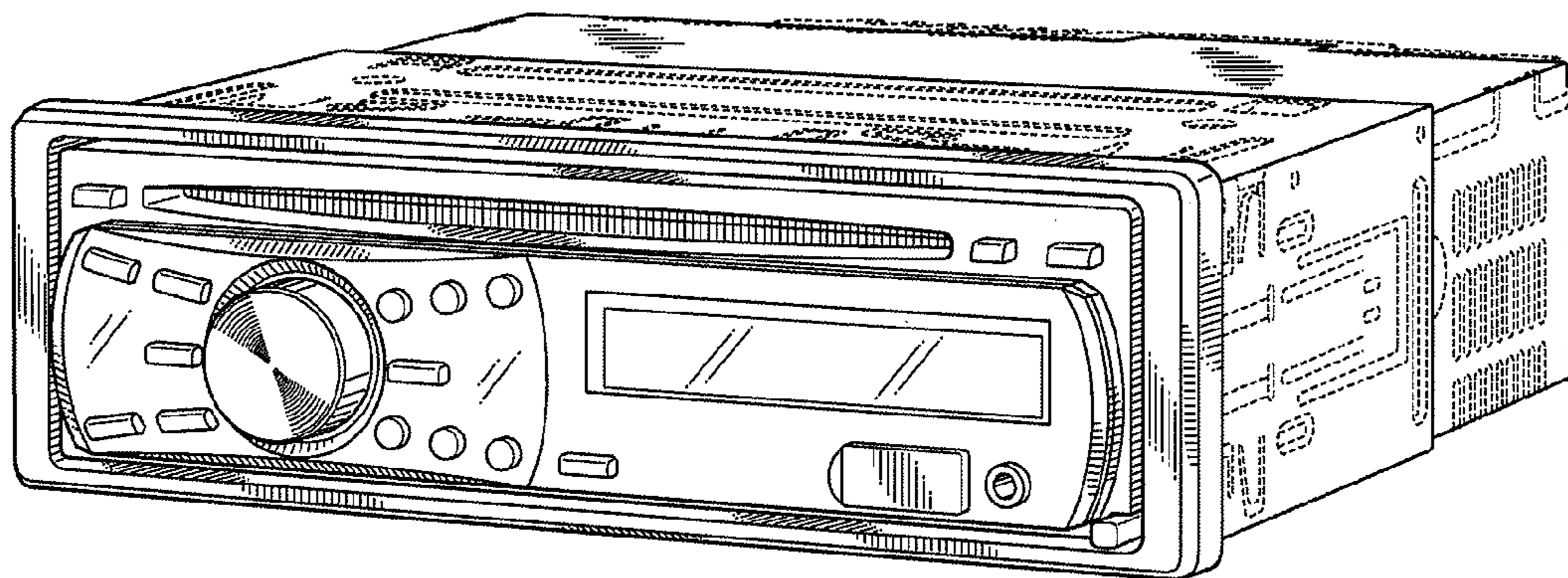
FIG. 8 is a bottom view thereof.

The portions shown in broken lines are for illustrative purposes only and form no part of the claimed design.

**FOREIGN PATENT DOCUMENTS**

JP 1277154 S 7/2006  
JP 1277155 S 7/2006  
JP 1277156 S 7/2006  
JP 1307618 S 8/2007  
JP 1307619 S 8/2007  
JP 1328588 S 4/2008

**1 Claim, 5 Drawing Sheets**



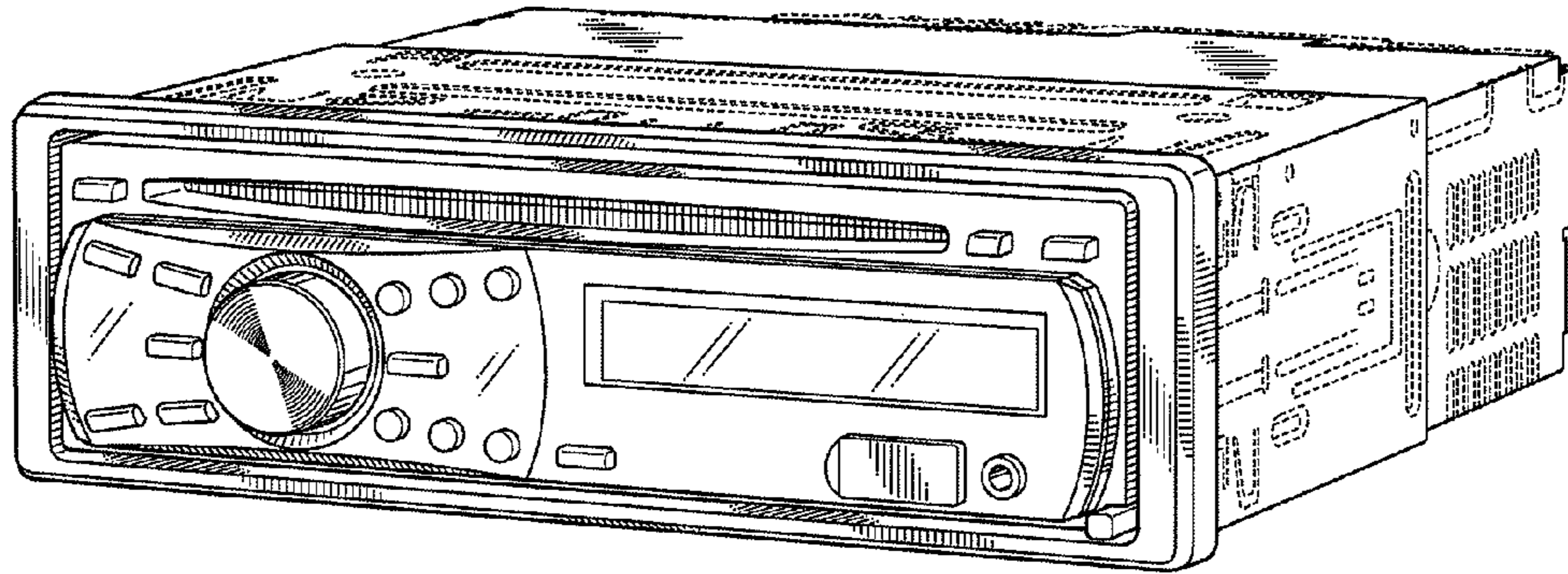


FIG. 1

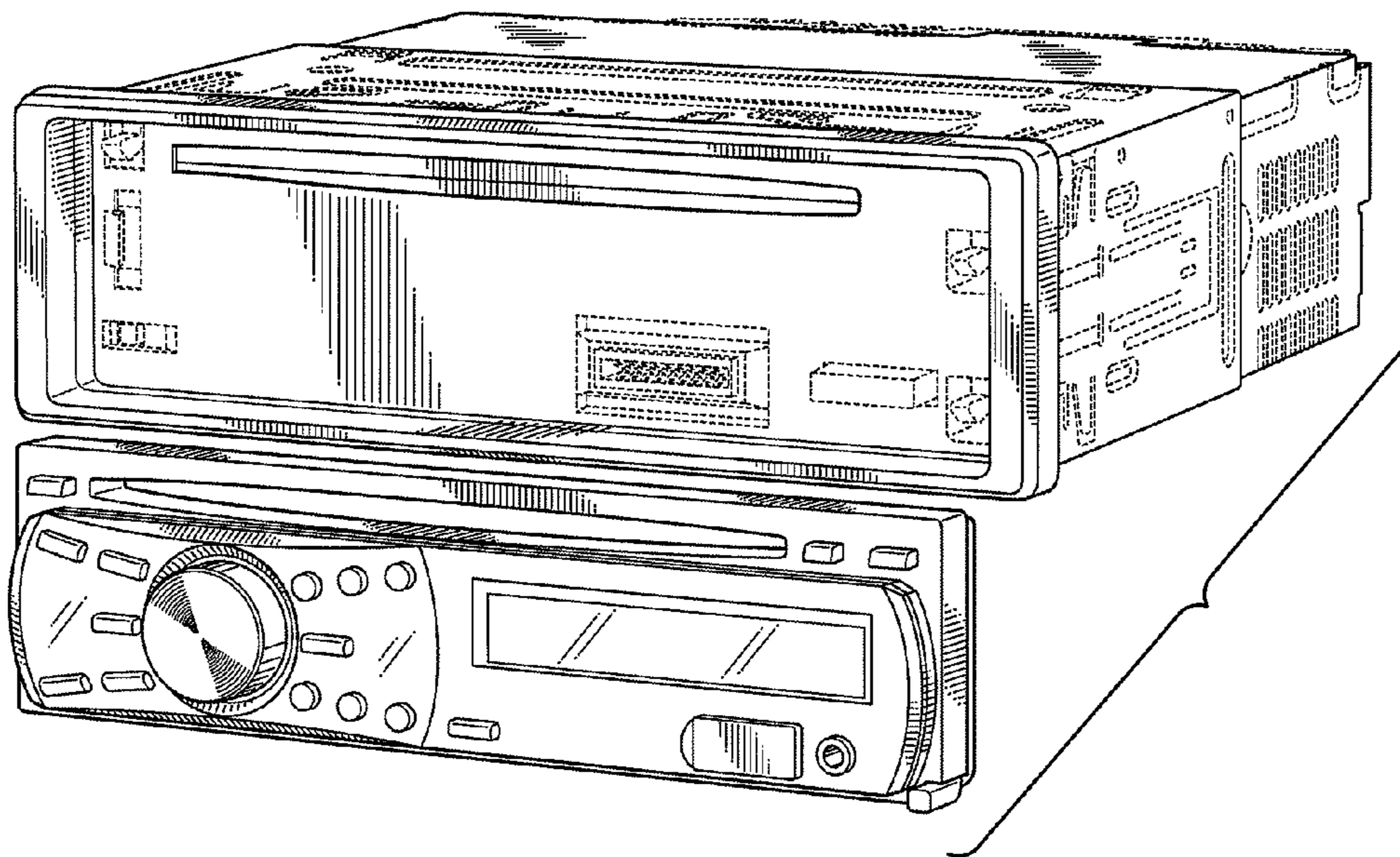


FIG. 2

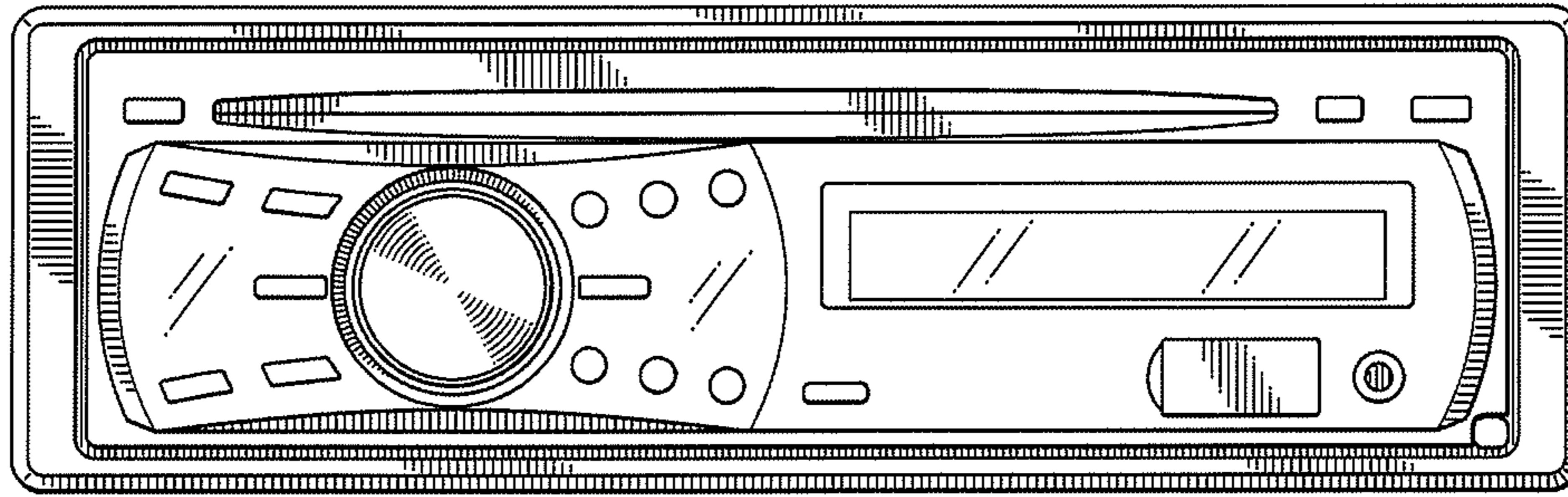


FIG. 3

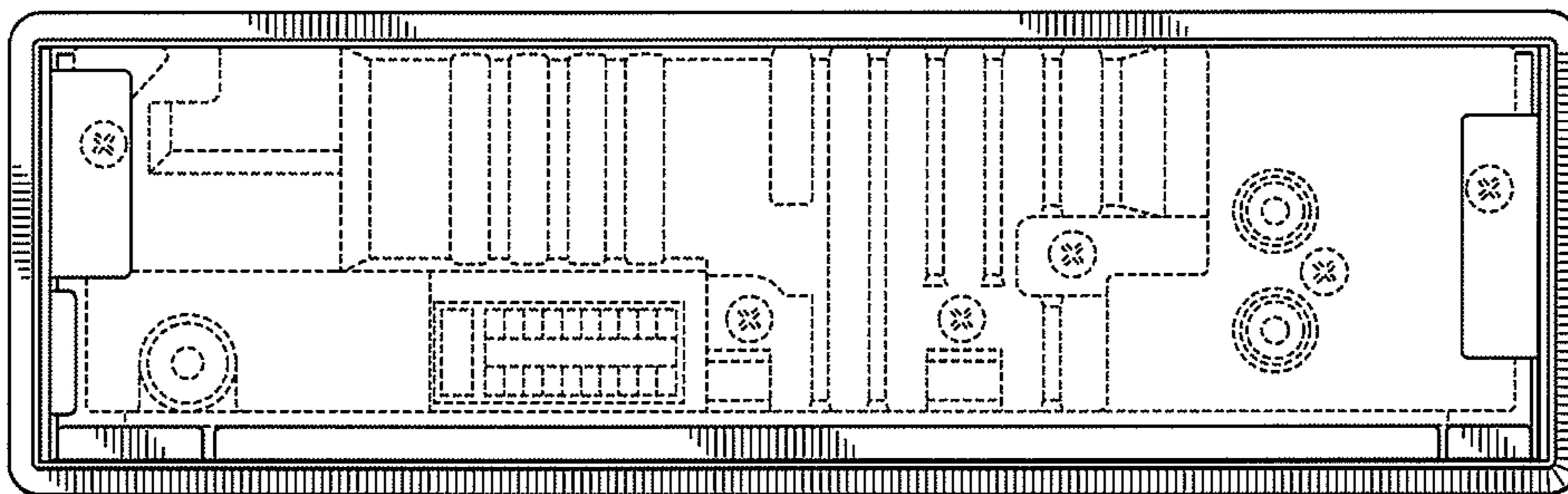


FIG. 4

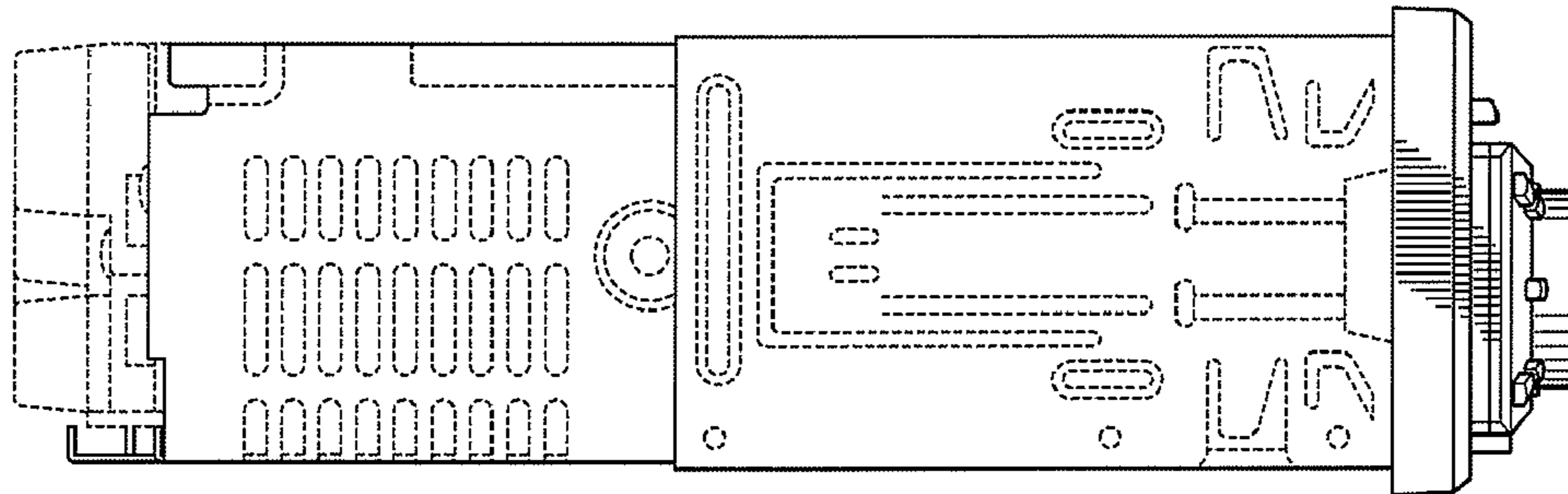


FIG. 5

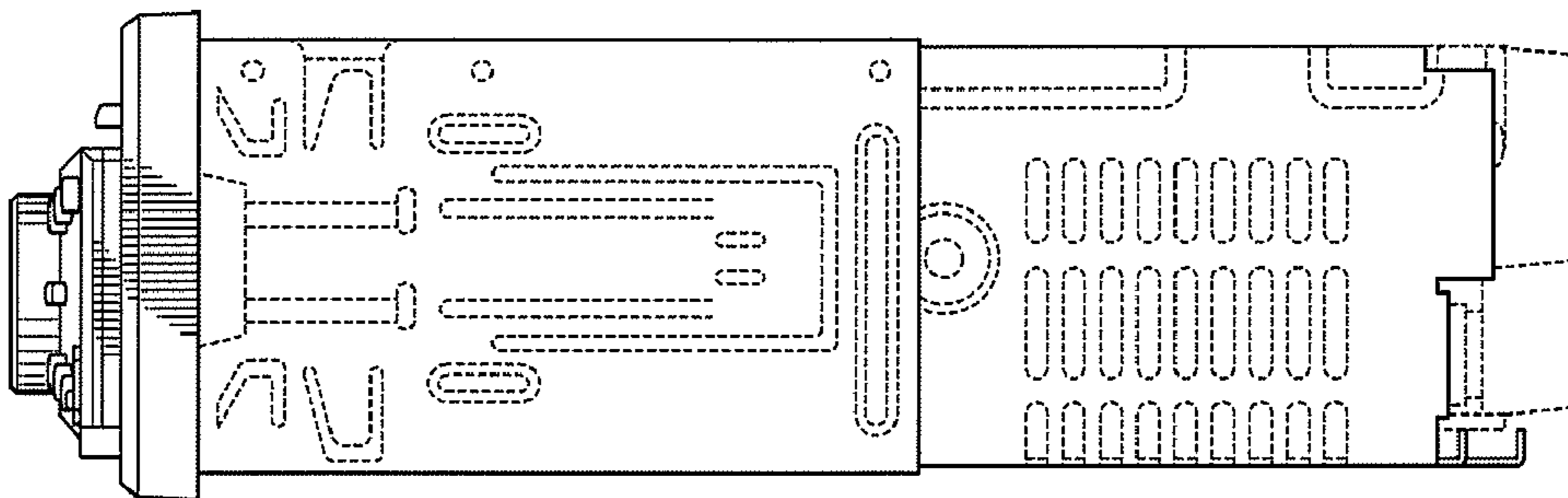


FIG. 6

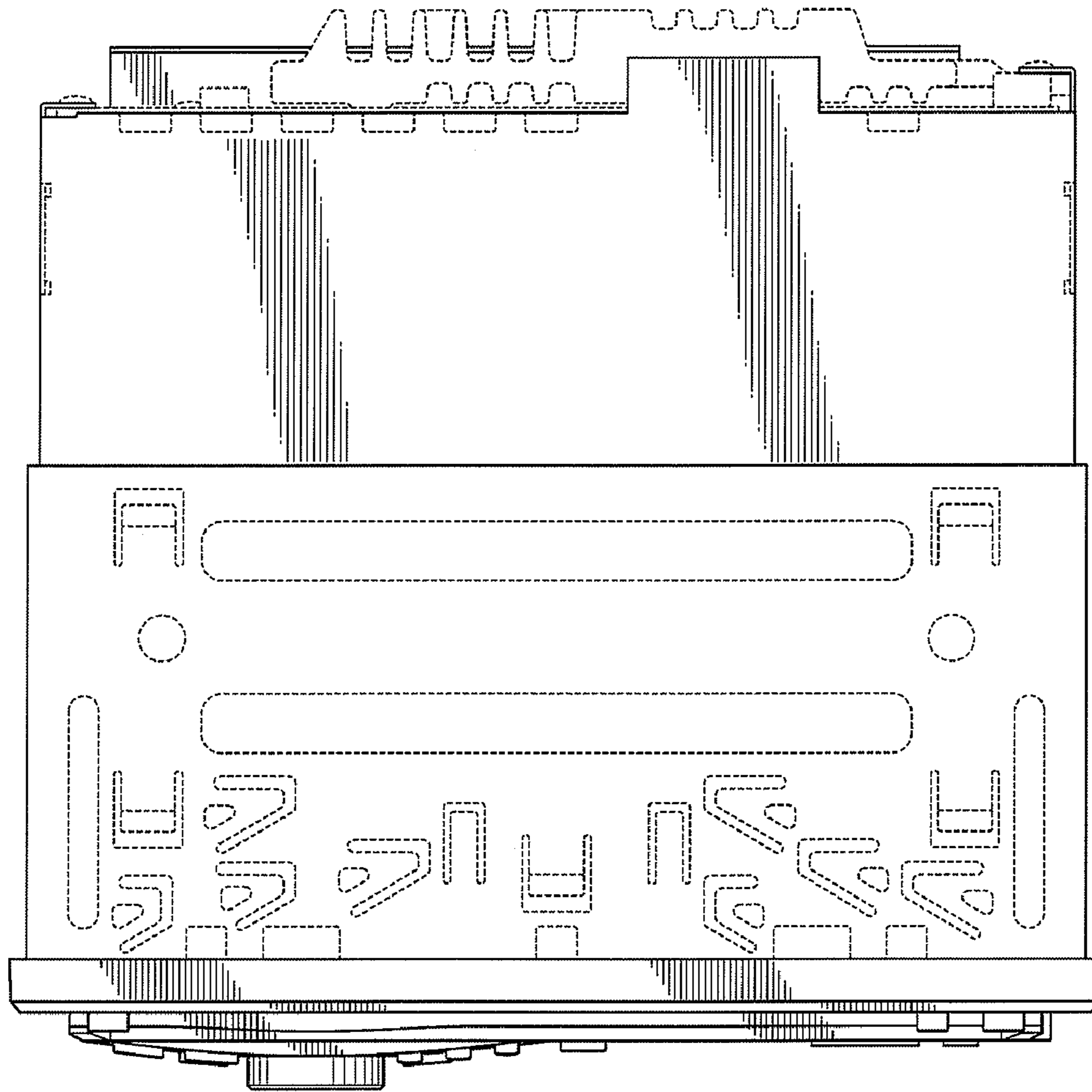


FIG. 7

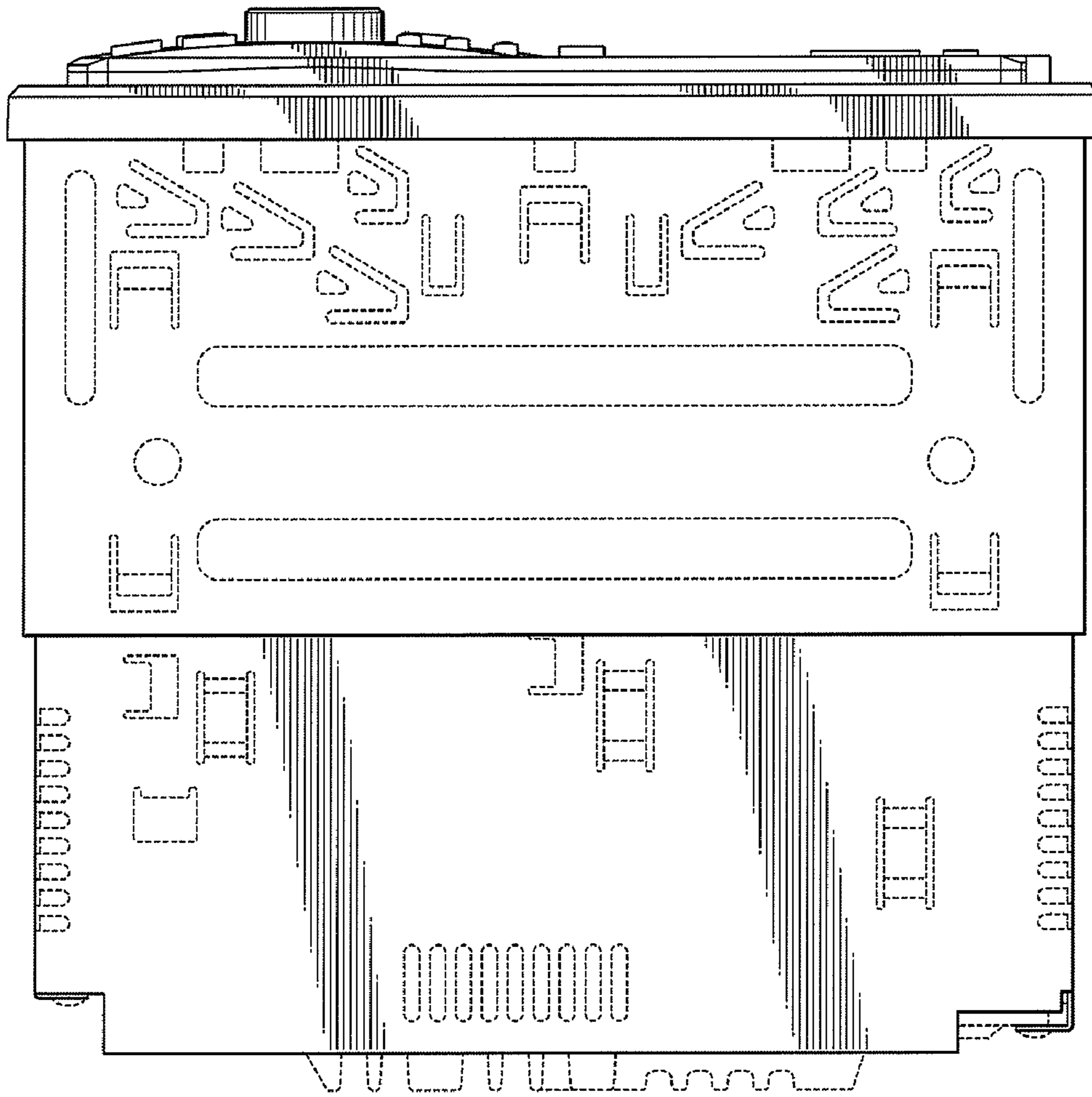


FIG. 8