



US00D633071S

(12) **United States Design Patent**
Tomono

(10) **Patent No.:** **US D633,071 S**

(45) **Date of Patent:** **** Feb. 22, 2011**

(54) **DIGITAL AUDIO DISC PLAYER WITH
TUNER AND AMPLIFIER FOR AUTOMOBILE**

JP 1362416 S 6/2009
JP 1362418 S 6/2009

(75) Inventor: **Mizuki Tomono**, Tokyo (JP)

(73) Assignee: **Pioneer Corporation**, Tokyo (JP)

(**) Term: **14 Years**

(21) Appl. No.: **29/357,686**

(22) Filed: **Mar. 16, 2010**

(30) **Foreign Application Priority Data**

Oct. 21, 2009 (JP) 2009-024639

(51) **LOC (9) Cl.** **14-01**

(52) **U.S. Cl.** **D14/157**

(58) **Field of Classification Search** D14/496,
D14/498-505, 137, 157, 168, 188, 197-198,
D14/257-258; 360/99.02, 99.07; 369/75.11,
369/75.21, 77.11, 77.21; 720/601, 612, 619,
720/649, 655; 455/344, 347-351

See application file for complete search history.

(56) **References Cited**

U.S. PATENT DOCUMENTS

D528,101 S * 9/2006 Yoshihara D14/157
D537,055 S * 2/2007 Endo et al. D14/502
D565,535 S * 4/2008 Muto D14/157
D571,350 S * 6/2008 Iwamoto et al. D14/157

FOREIGN PATENT DOCUMENTS

JP 1277154 S 7/2006
JP 1277155 S 7/2006
JP 1277156 S 7/2006
JP 1307618 S 8/2007
JP 1307619 S 8/2007
JP 1328588 S 4/2008
JP 1328589 S 4/2008

OTHER PUBLICATIONS

Pioneer's Product catalogue, "Carrozzeria" issued on May 2006; vol. 1; p. 26.

Pioneer's product catalogue, "Carrozzeria"; issued on Jan. 2007; vol. 1; pp. 29-32.

Pioneer's product catalogue, "Carrozzeria"; issued on May 2008; vol. 2; pp. 23-26.

Pioneer's product catalogue, "Carrozzeria"; issued on May 2009; vol. 2; pp. 19-22.

* cited by examiner

Primary Examiner—Nanda Bondade

(74) *Attorney, Agent, or Firm*—Sughrue Mion, PLLC

(57) **CLAIM**

The ornamental design for a digital audio disc player with tuner and amplifier for automobile, as shown and described.

DESCRIPTION

FIG. 1 is a perspective view of the front, top and right side of a digital audio disc player with tuner and amplifier for automobile showing my new design;

FIG. 2 is an exploded perspective view with front panel being removed thereof;

FIG. 3 is a front view thereof;

FIG. 4 is a rear view thereof;

FIG. 5 is a left side view thereof;

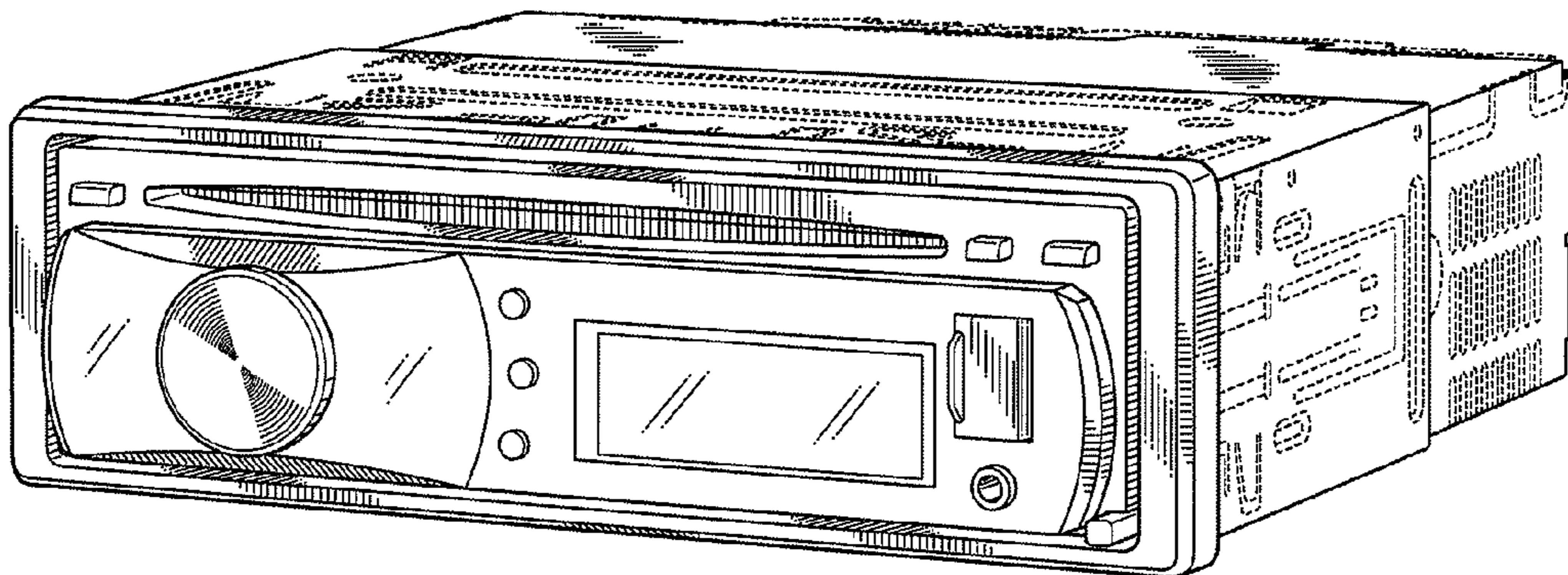
FIG. 6 is a right side view thereof;

FIG. 7 is a top plan view thereof; and,

FIG. 8 is a bottom view thereof.

The portions shown in broken lines are for illustrative purposes only and form no part of the claimed design.

1 Claim, 5 Drawing Sheets



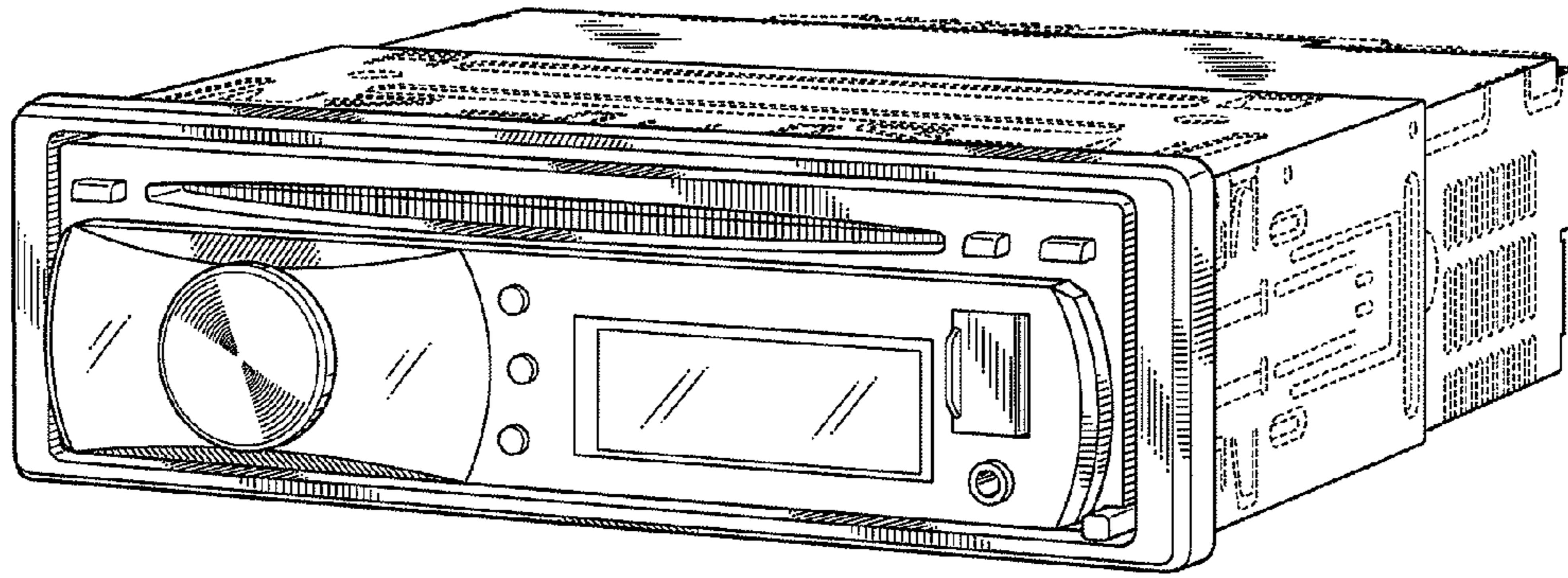


FIG. 1

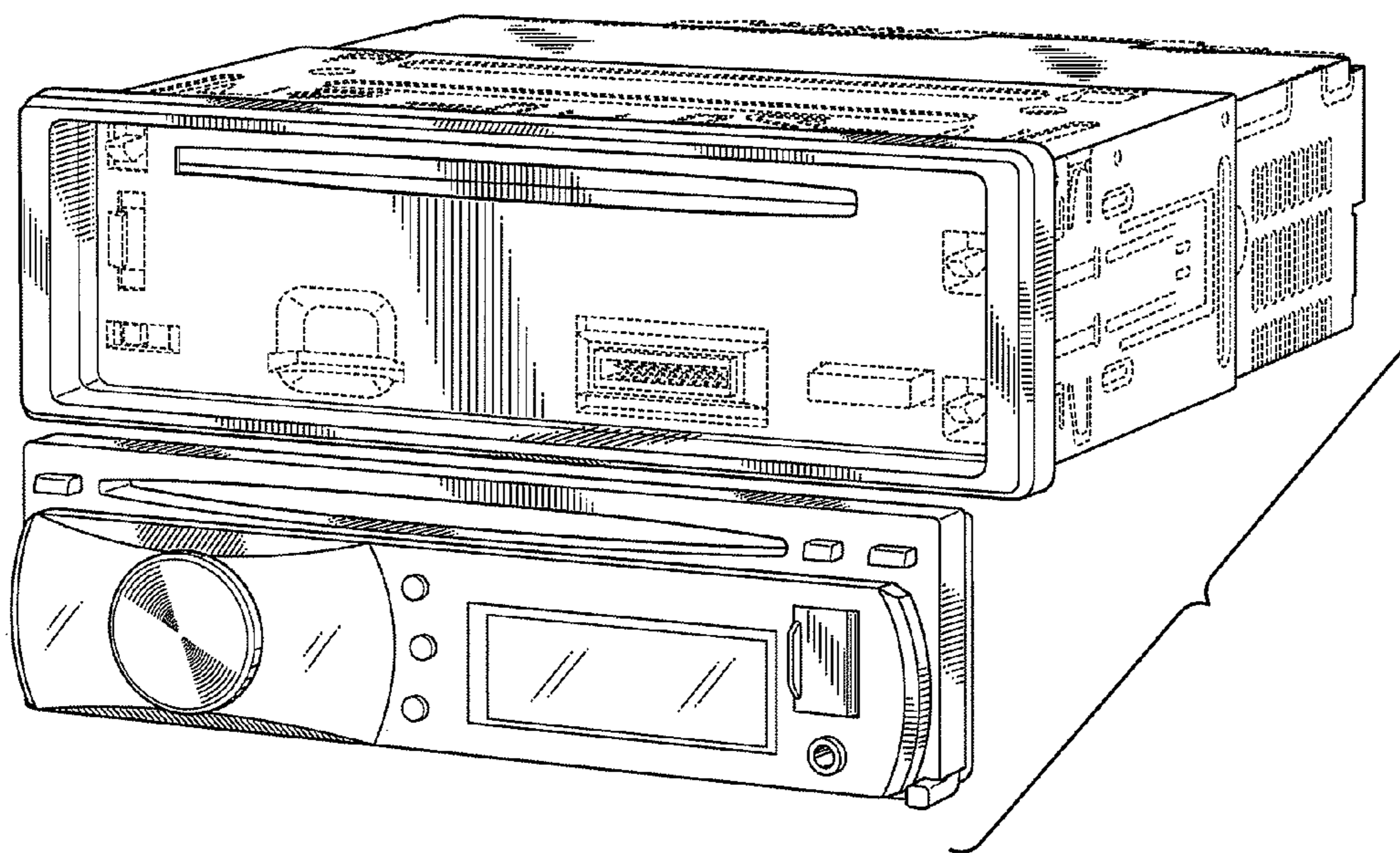


FIG. 2

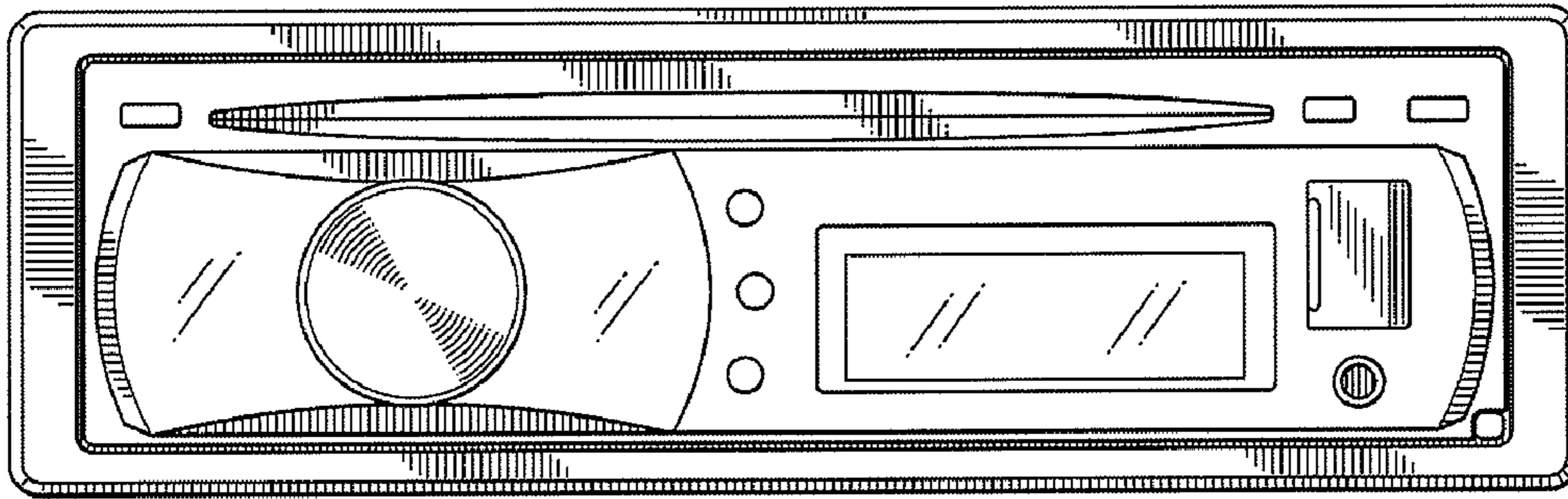


FIG. 3

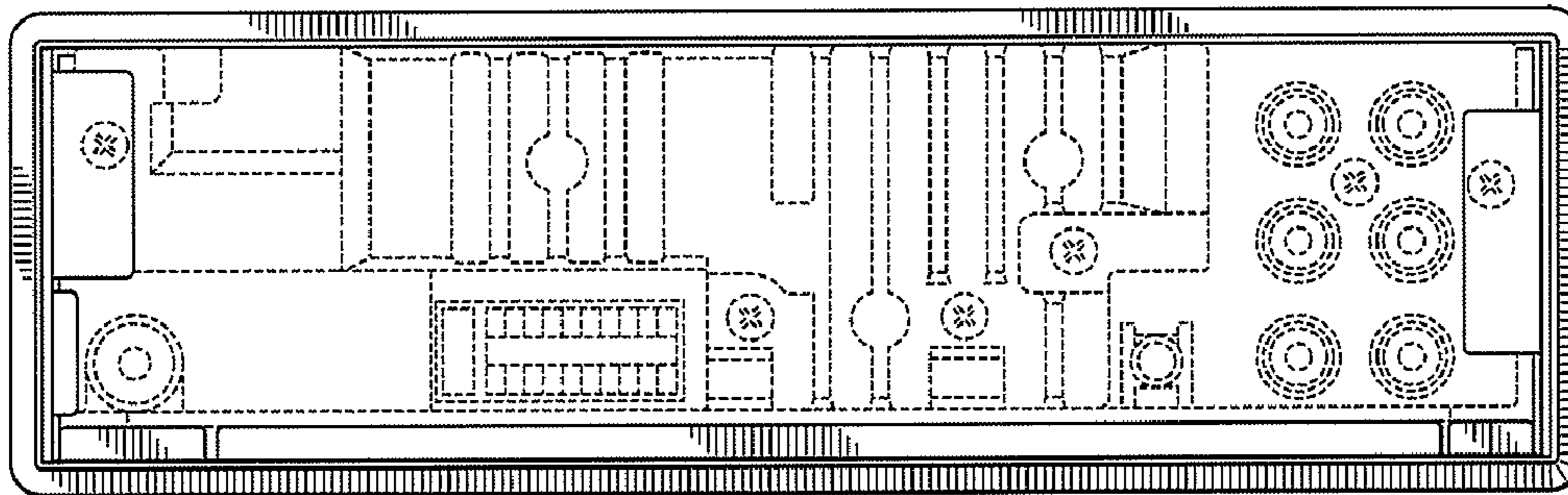


FIG. 4

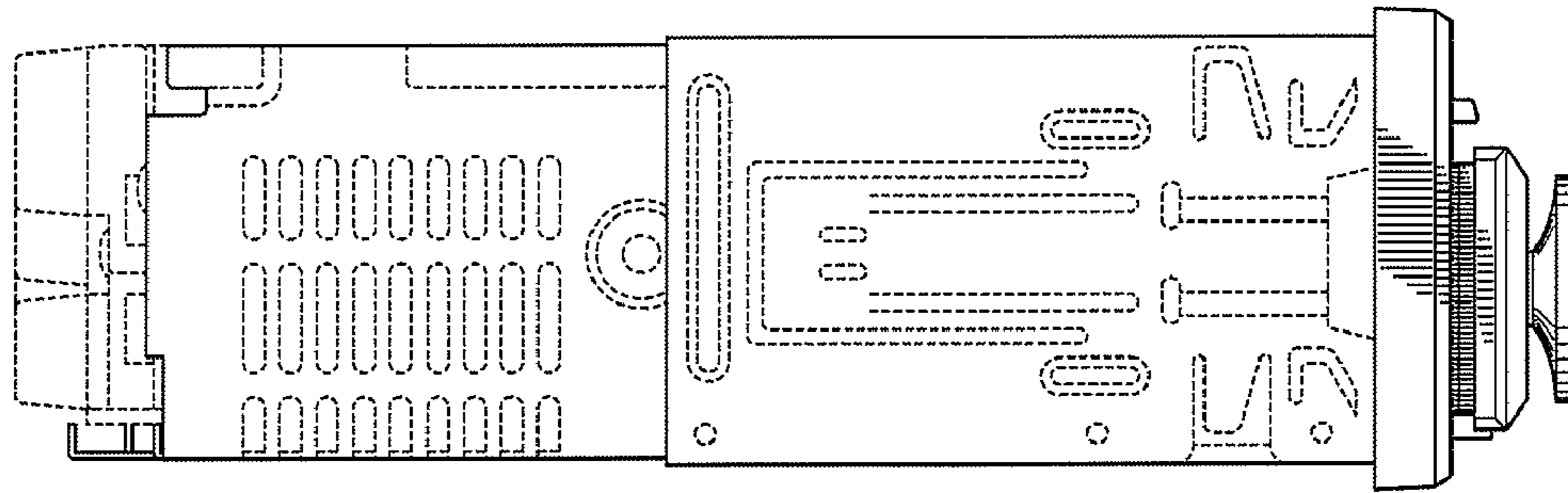


FIG. 5

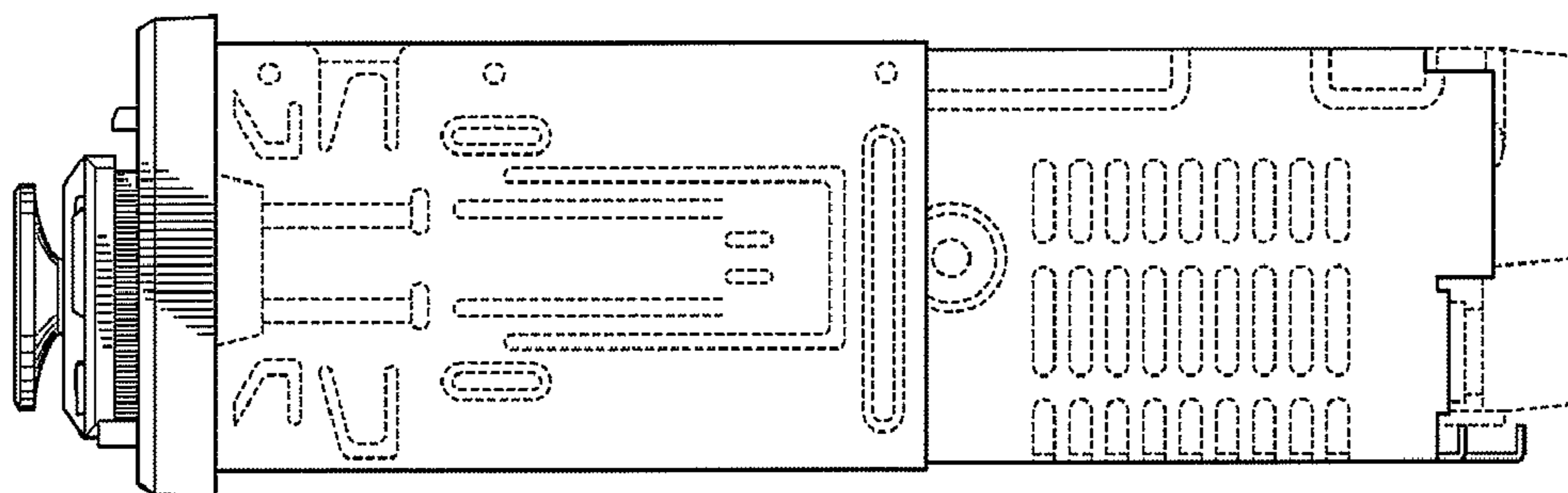


FIG. 6

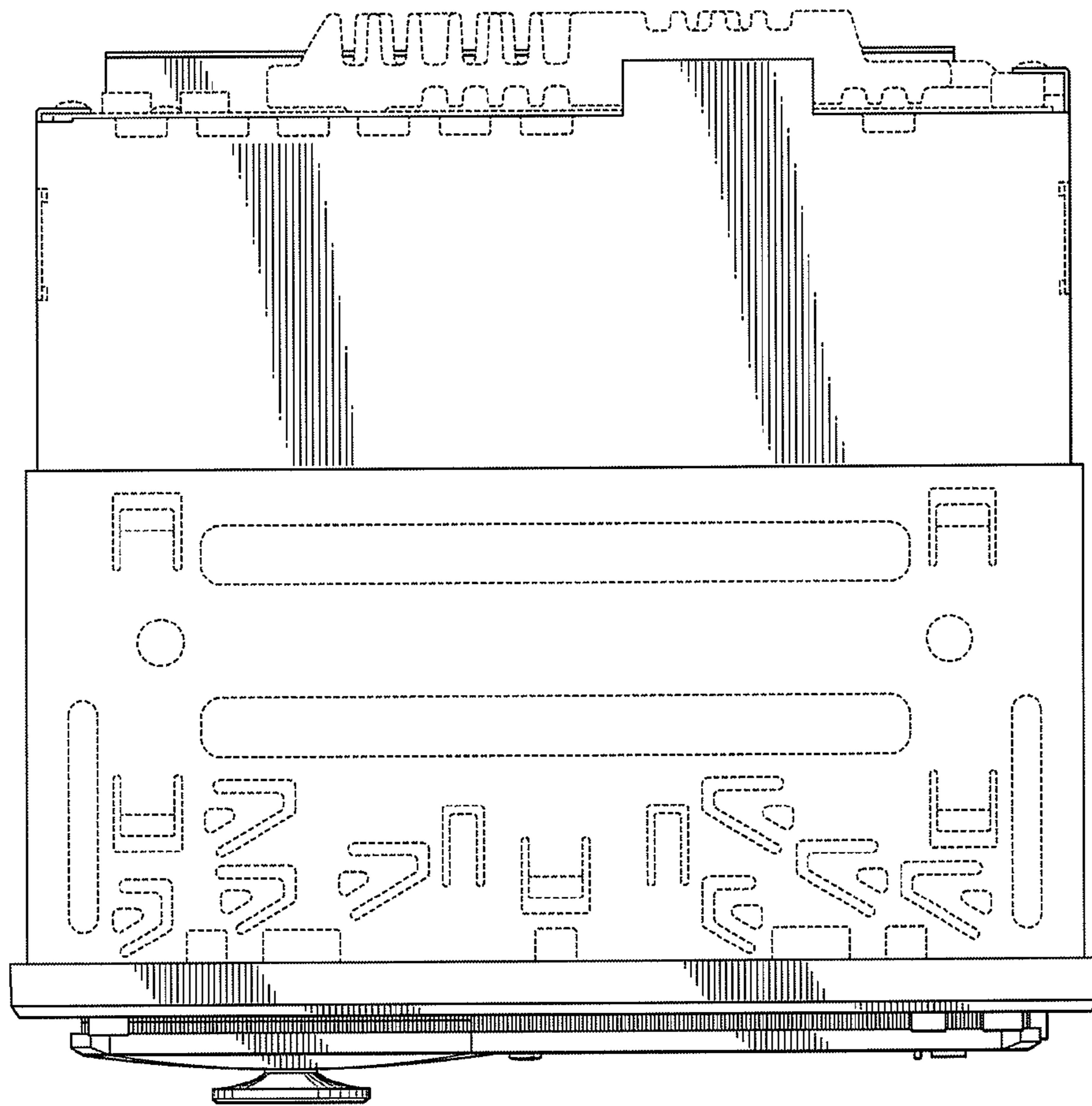


FIG. 7

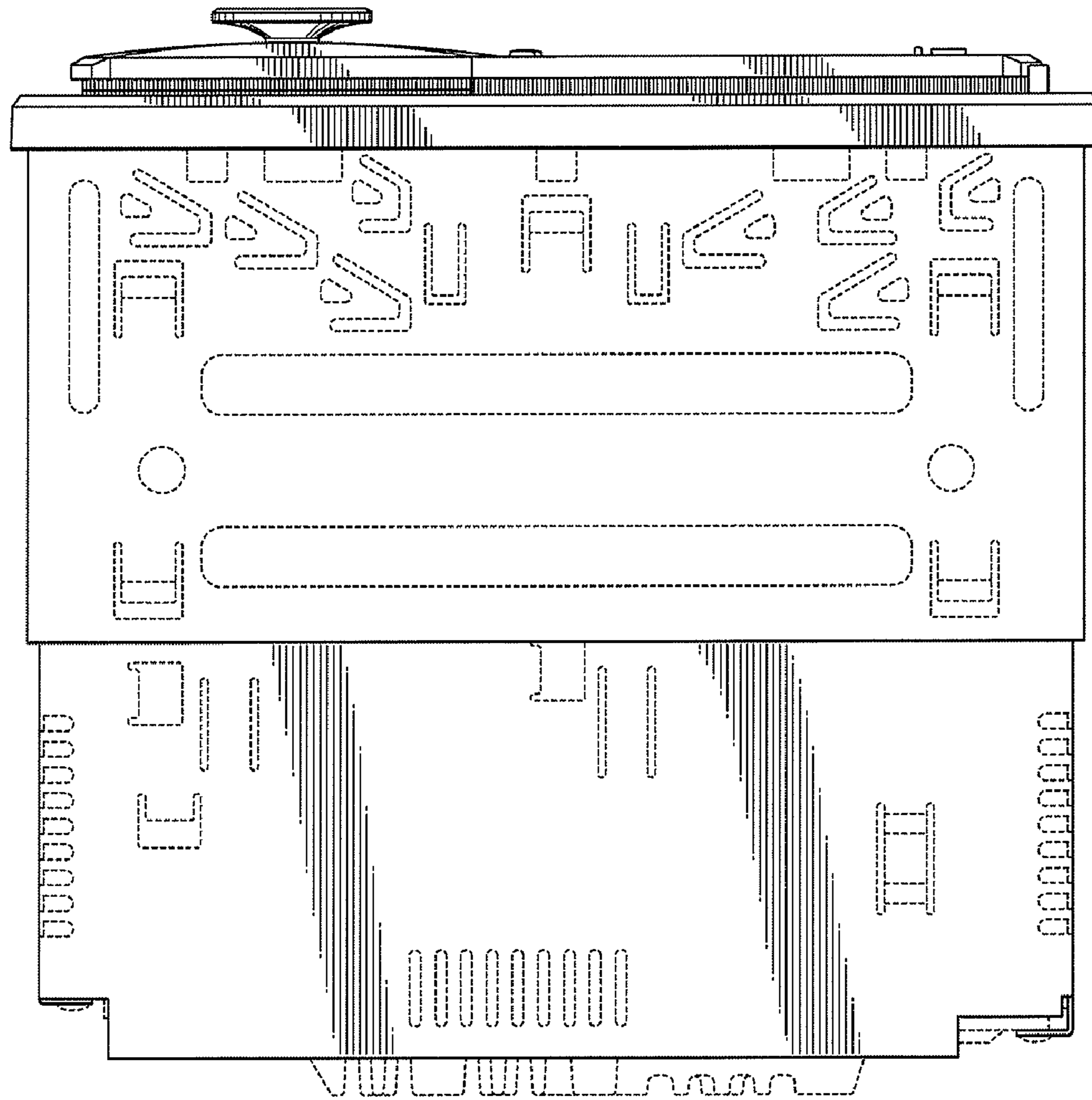


FIG. 8