



US00D633065S

(12) **United States Design Patent**
Kim et al.

(10) **Patent No.:** **US D633,065 S**

(45) **Date of Patent:** **** Feb. 22, 2011**

(54) **MOBILE PHONE**

(75) Inventors: **Joon-Suh Kim**, Anyang-si (KR); **Mark Sterzick**, Ranchos Dominguez, CA (US); **Alex Chon**, Ranchos Dominguez, CA (US)

(73) Assignee: **Samsung Electronics Co., Ltd.**, Suwon-Si (KR)

(**) Term: **14 Years**

(21) Appl. No.: **29/360,497**

(22) Filed: **Apr. 27, 2010**

(30) **Foreign Application Priority Data**

Feb. 25, 2010 (KR) 30-2010-0008278

(51) **LOC (9) Cl.** **14-03**

(52) **U.S. Cl.** **D14/138 AD**

(58) **Field of Classification Search** D14/138 R, D14/138 AD, 138 AC, 138 C, 138 G, 191, D14/203.1–203.8, 496, 138 AA, 138 AB, D14/137, 147, 218, 341–347, 247–248; D10/65, D10/78, 104; D13/168; D18/7; 455/566, 455/575.1, 575.3

See application file for complete search history.

(56) **References Cited**

U.S. PATENT DOCUMENTS

- D488,468 S * 4/2004 Hu D14/341
- D506,753 S * 6/2005 Duarte et al. D14/346
- 7,187,364 B2 * 3/2007 Duarte et al. 345/168
- 7,200,224 B2 * 4/2007 Park et al. 379/433.13
- D543,528 S * 5/2007 Kim et al. D14/138 AB
- D548,713 S * 8/2007 Lee et al. D14/138 AD
- 7,292,882 B2 * 11/2007 Lee et al. 455/575.4
- D563,377 S * 3/2008 Price et al. D14/138 AD
- D564,491 S * 3/2008 Kim et al. D14/138 AD
- D571,800 S * 6/2008 Tamaki et al. D14/345
- D572,695 S * 7/2008 Tu D14/138 AD
- D580,430 S * 11/2008 Wei D14/341
- D581,385 S * 11/2008 Park et al. D14/138 AD

- D594,358 S * 6/2009 Lammers-Meis et al. D10/65
- D603,362 S * 11/2009 Kim et al. D14/138 G
- D609,210 S * 2/2010 Sohn et al. D14/138 AD
- D619,991 S * 7/2010 Huang D14/138 G
- D622,245 S * 8/2010 Okada et al. D14/138 G
- D624,519 S * 9/2010 Shen et al. D14/138 AD
- 2005/0068306 A1 * 3/2005 Duarte et al. 345/169

(Continued)

OTHER PUBLICATIONS

LG GM360 Viewty Snap, announced Jun. 2010, [online], [retrieved on Jun. 11, 2010]. Retrieved from Internet ,<URL: http://www.gsmarena.com>.*

(Continued)

Primary Examiner—Bridget L Eland

(74) *Attorney, Agent, or Firm*—Staas & Halsey LLP

(57)

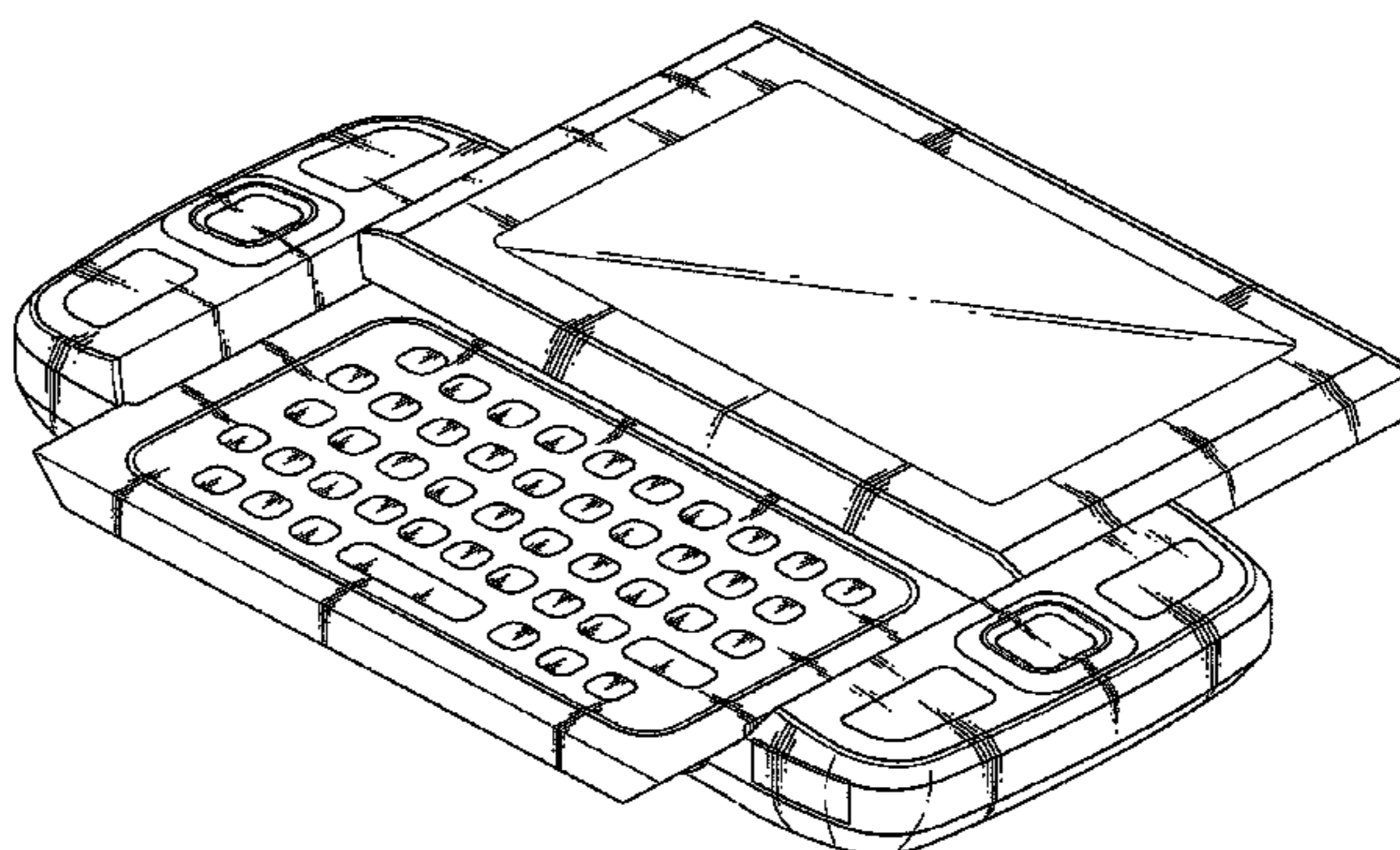
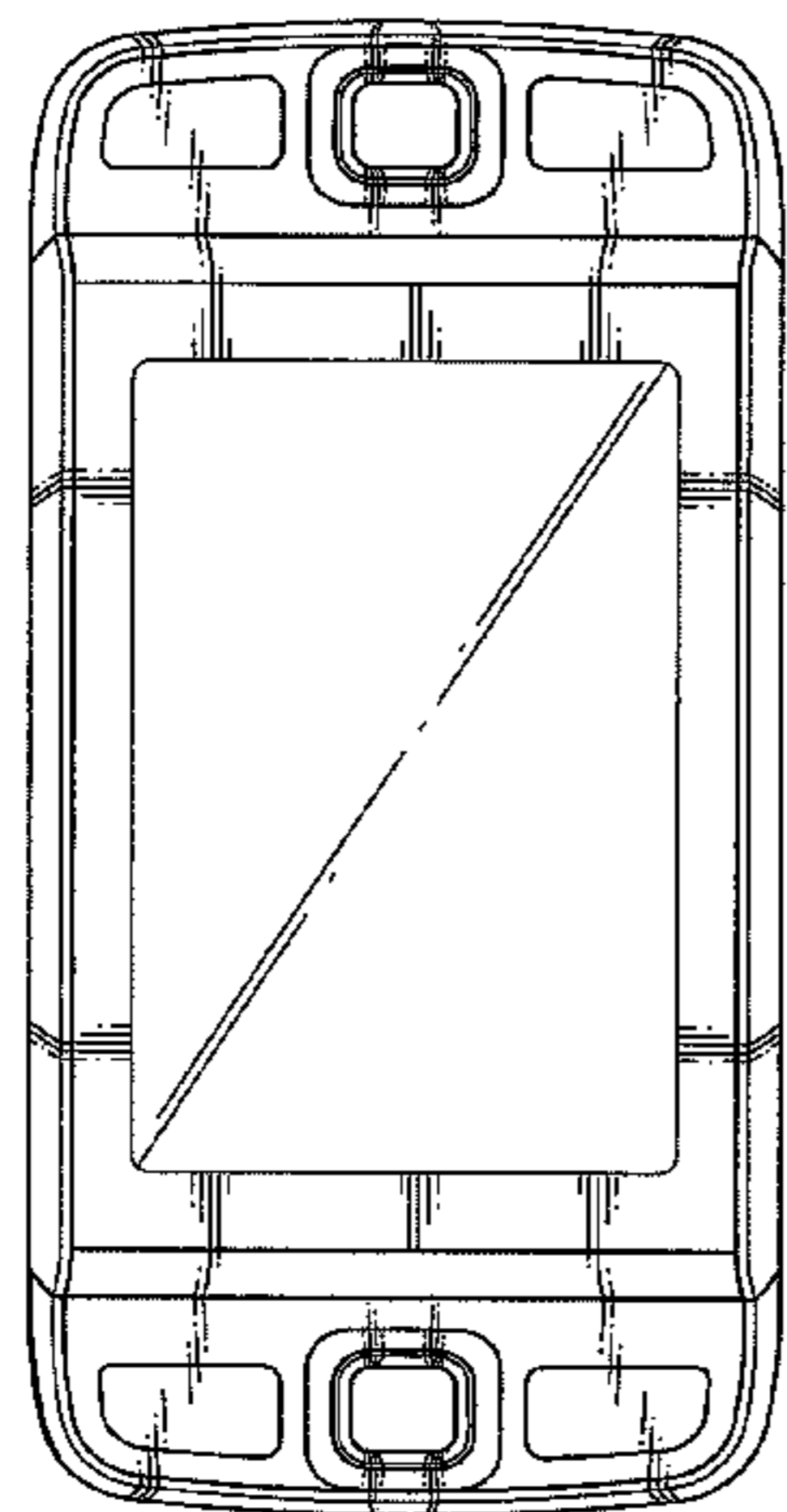
CLAIM

The ornamental design for a mobile phone, as shown and described.

DESCRIPTION

FIG. 1 is a front perspective view of a mobile phone;
 FIG. 2 is a front view of the mobile phone of FIG. 1;
 FIG. 3 is a rear view of the mobile phone of FIG. 1;
 FIG. 4 is a left-side view of the mobile phone of FIG. 1;
 FIG. 5 is a right-side view of the mobile phone of FIG. 1;
 FIG. 6 is a top plan view of the mobile phone of FIG. 1;
 FIG. 7 is a bottom plan view of the mobile phone of FIG. 1;
 and,
 FIG. 8 is an open front perspective view of the mobile phone of FIG. 1.

1 Claim, 5 Drawing Sheets



US D633,065 S

Page 2

U.S. PATENT DOCUMENTS

2006/0205450 A1* 9/2006 Amano et al. 455/575.4
2007/0161418 A1* 7/2007 Chen et al. 455/575.4
2009/0117953 A1* 5/2009 Oh 455/575.1
2010/0210311 A1* 8/2010 Ahn et al. 455/566

OTHER PUBLICATIONS

Motorola Sidekick Slide, announced Sep. 2007, [online], [retrieved on May 14, 2008]. Retrieved from Internet ,<URL: <http://www.gsmarena.com>>.*

Samsung S5230, announced Mar. 2009, [online], [retrieved on Mar. 20, 2009]. Retrieved from Internet ,<URL: <http://www.gsmarena.com>>.*

Samsung W960 AMOLED 3D, announced Apr. 2010, [online], [retrieved on Jun. 11, 2010]. Retrieved from Internet ,<URL: <http://www.gsmarena.com>>.*

* cited by examiner

FIG. 1

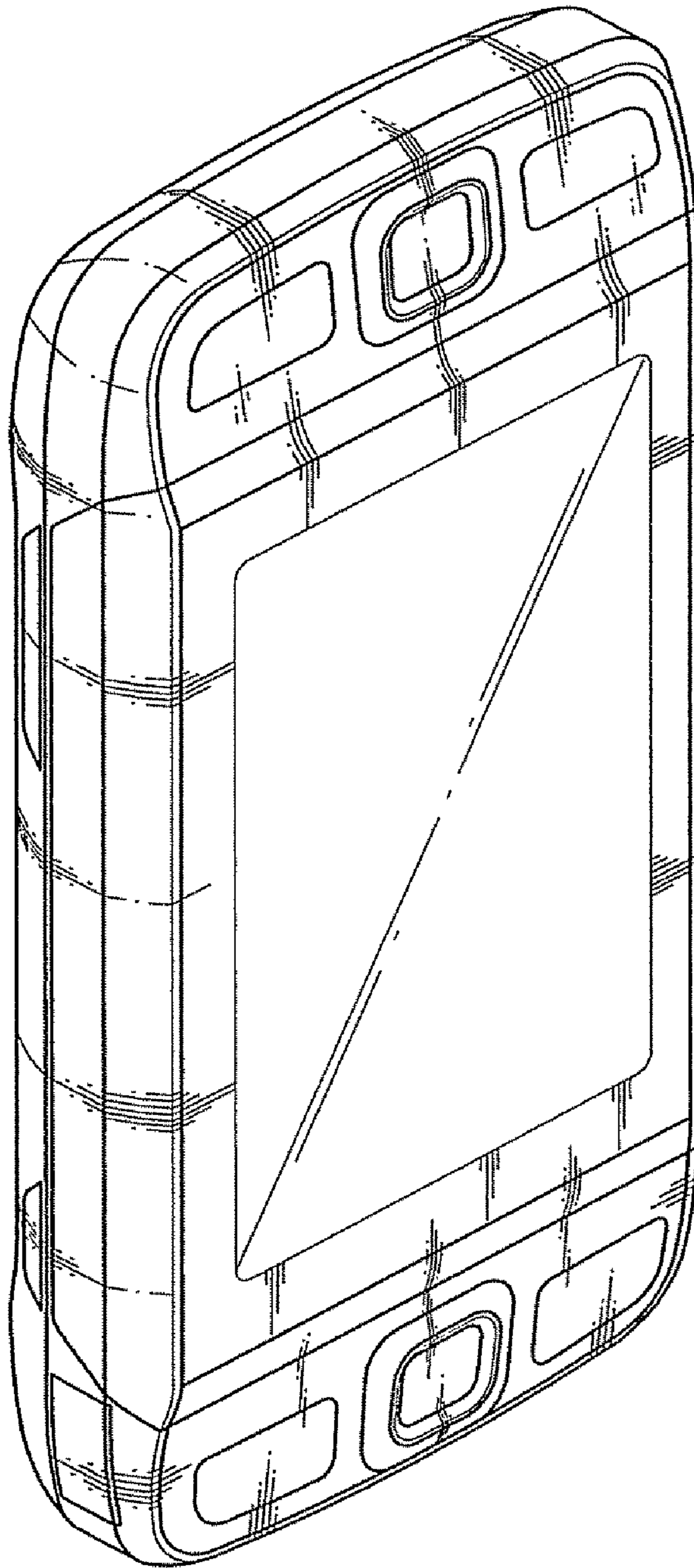


FIG.2

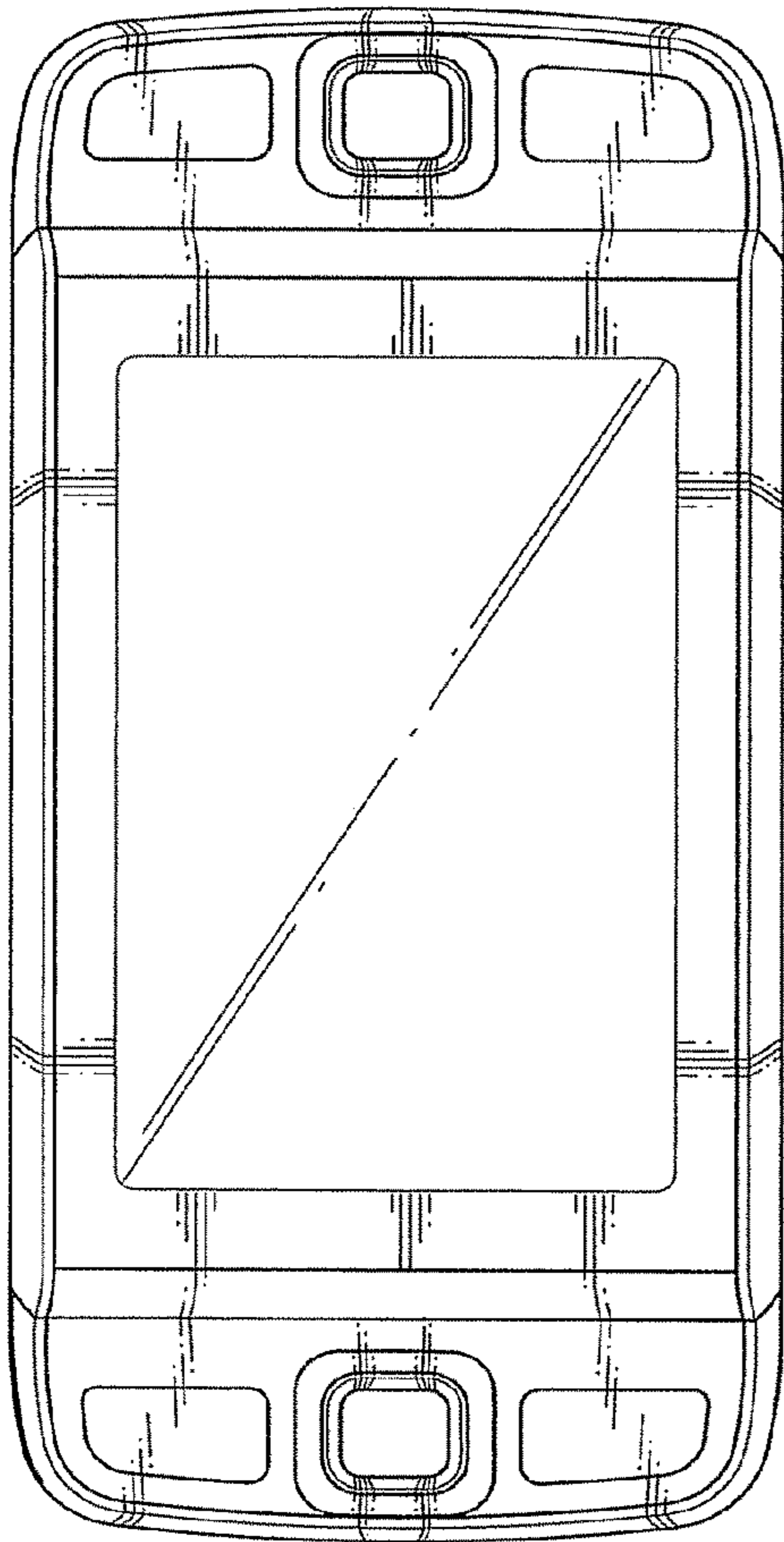


FIG.3

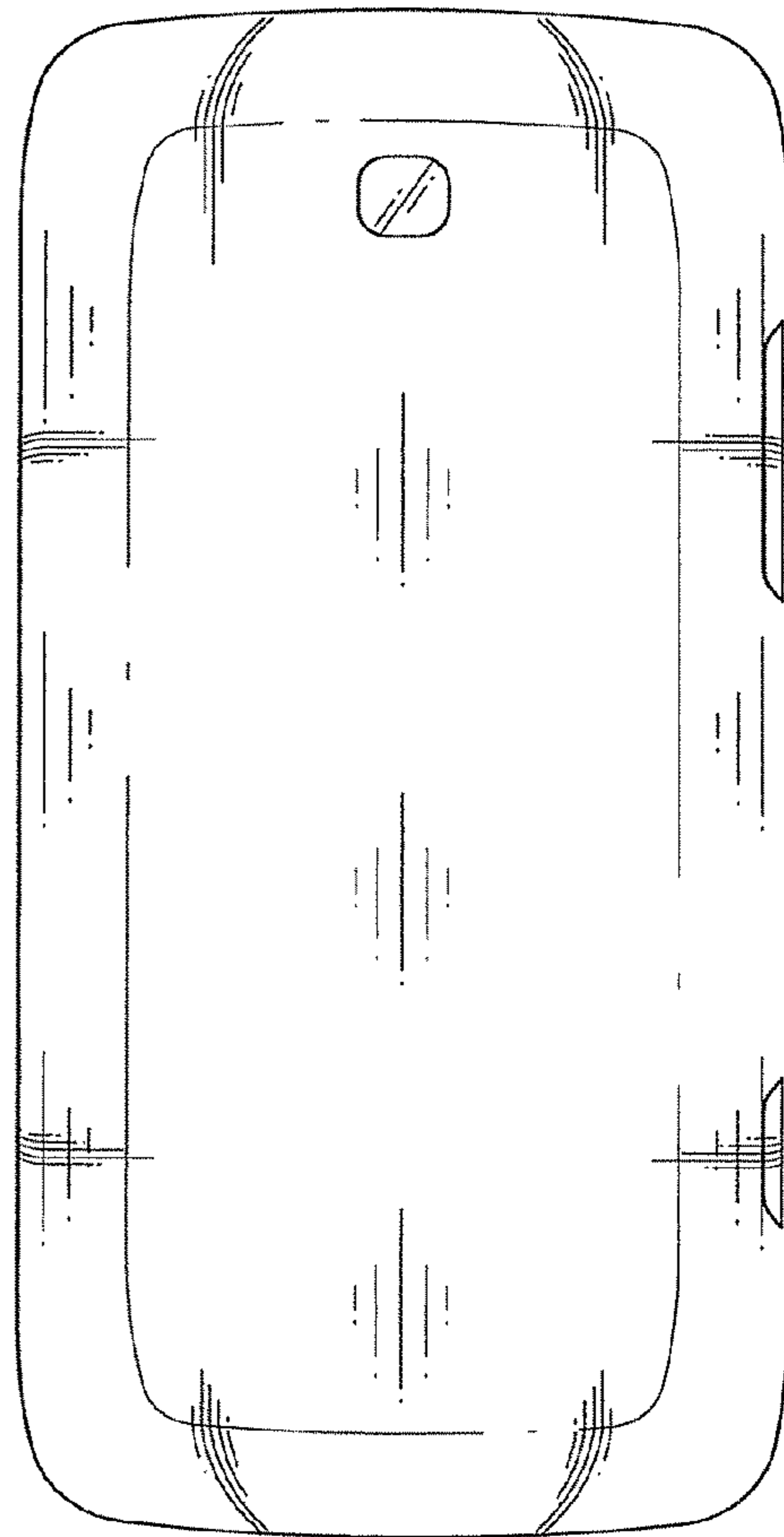


FIG.4

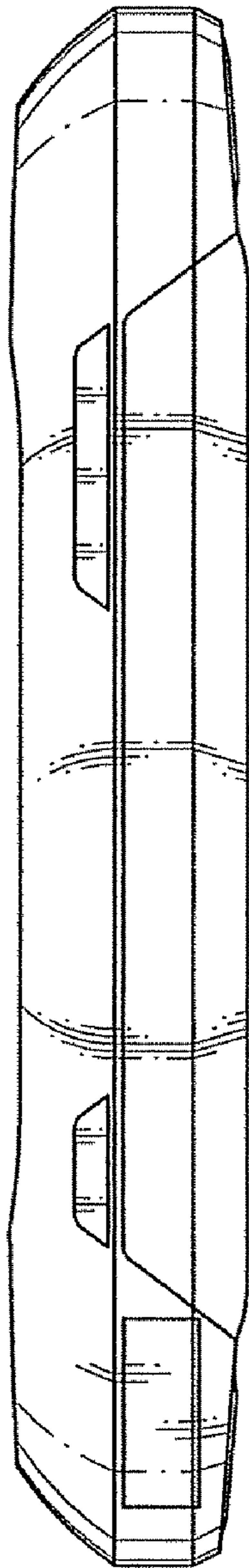


FIG.5

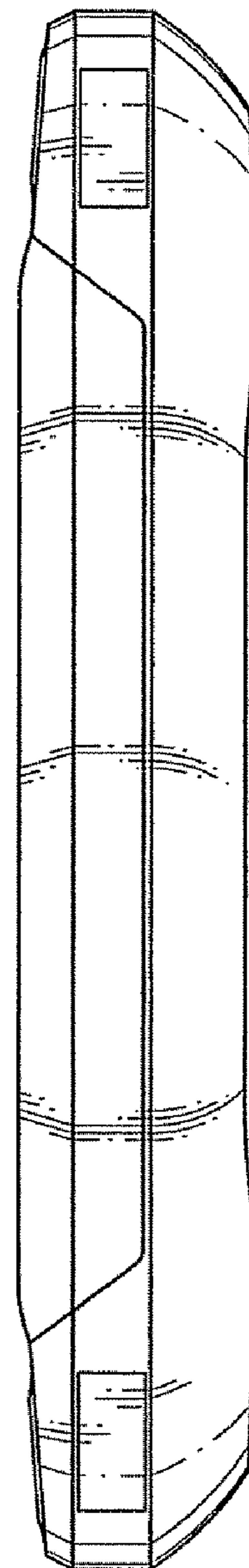


FIG. 6

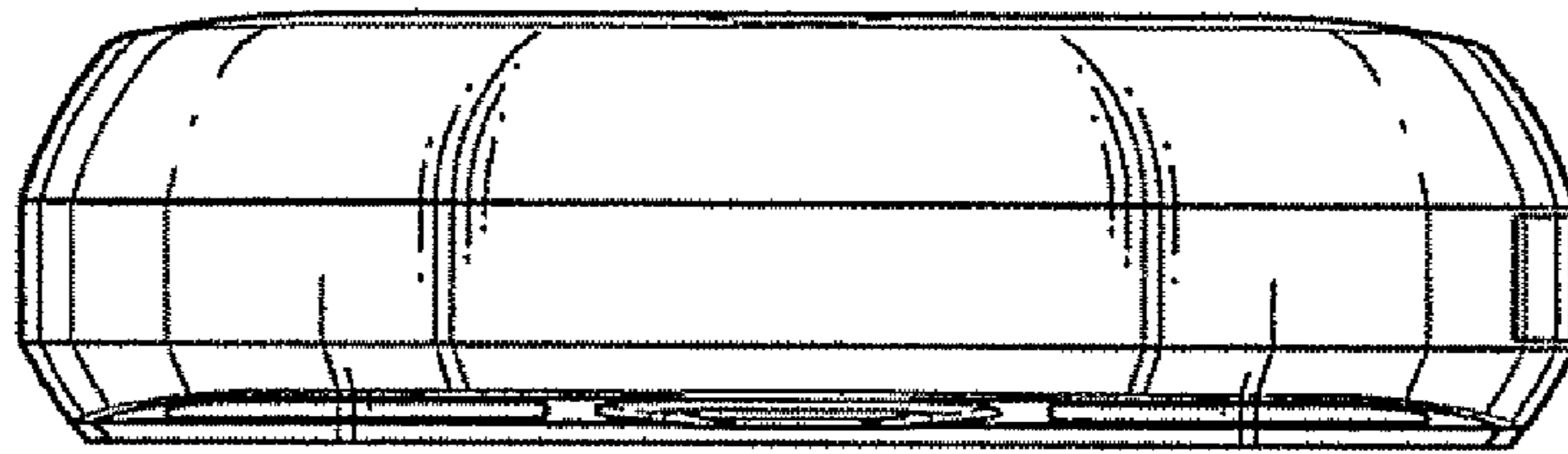


FIG. 7

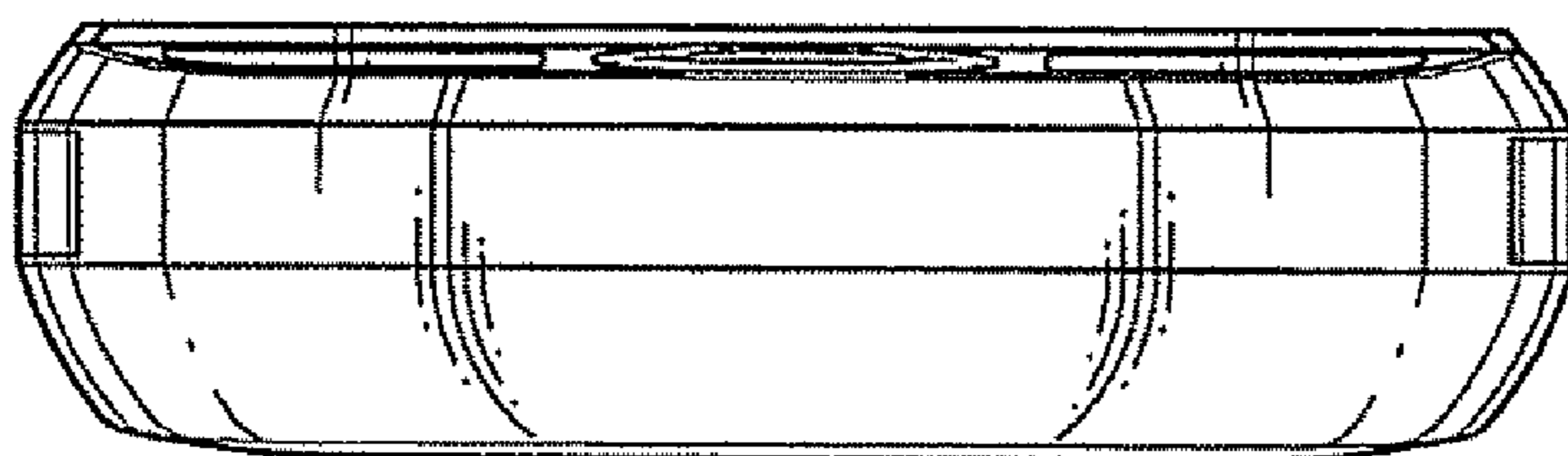


FIG.8

