



US00D633060S

(12) **United States Design Patent**
Tsuboi

(10) **Patent No.:** **US D633,060 S**

(45) **Date of Patent:** **** Feb. 22, 2011**

(54) **CONTROLLER FOR A LARGE-SIZED IMAGE DISPLAY APPARATUS**

D608,745 S * 1/2010 Cho et al. D14/125
D609,656 S * 2/2010 Cho et al. D14/125
2002/0093884 A1 * 7/2002 Hochendoner 369/30.05

(75) Inventor: **Hideki Tsuboi**, Koganei (JP)

FOREIGN PATENT DOCUMENTS

(73) Assignee: **Kabushiki Kaisha Toshiba**, Tokyo (JP)

JP	978164	3/1997
JP	980732	5/1997
JP	1364779	7/2009
JP	1366614	8/2009
JP	1373175	11/2009

(**) Term: **14 Years**

(21) Appl. No.: **29/367,913**

(22) Filed: **Aug. 16, 2010**

* cited by examiner

(30) **Foreign Application Priority Data**

Primary Examiner—Raphael Barkai
Assistant Examiner—Randall Gholson
(74) *Attorney, Agent, or Firm*—Banner & Witcoff, Ltd.

Mar. 19, 2010 (JP) 2010-006804

(51) **LOC (9) Cl.** **14-01**

(57) **CLAIM**

(52) **U.S. Cl.** **D14/125**

The ornamental design for a controller for a large-sized image display apparatus, as shown and described.

(58) **Field of Classification Search** D14/125–130,
D14/168, 188, 197, 198, 371, 374–377, 496–510;
312/7.1, 7.2; 348/836, 838, 180, 184, 325,
348/739; 341/12; 349/58; 720/600, 619,
720/646, 647, 655; 455/347–351; 369/75.11,
369/75.21

DESCRIPTION

See application file for complete search history.

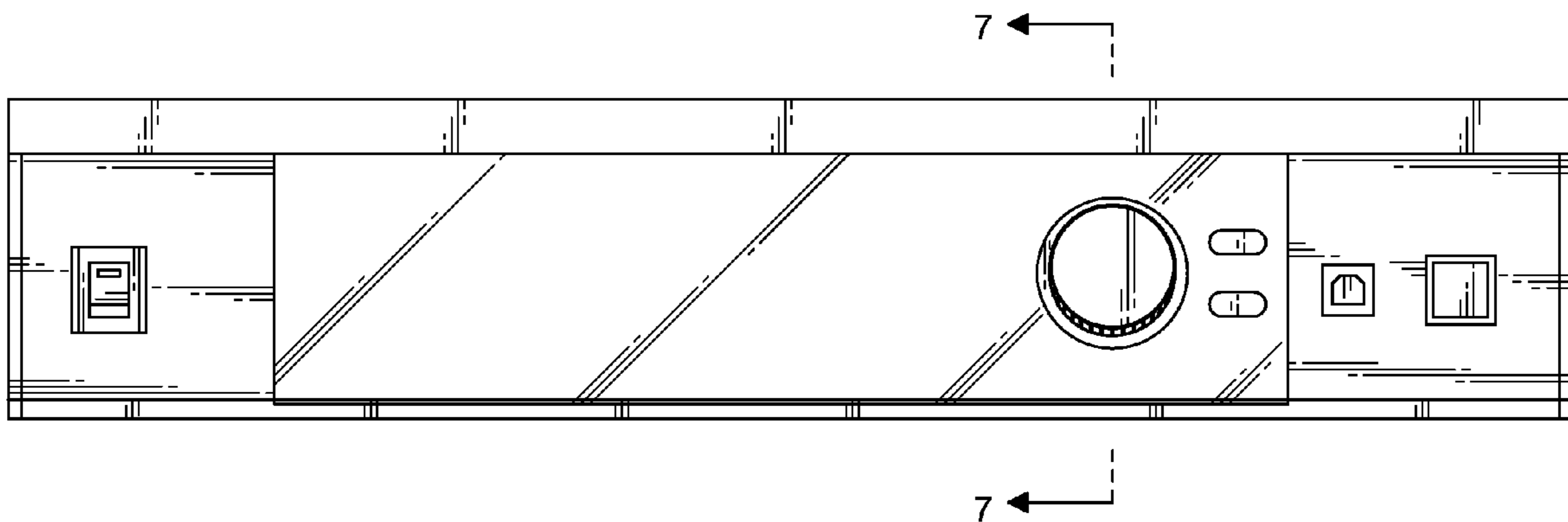
FIG. 1 is a front elevational view of a controller for a large-sized image display apparatus, showing my new design;
FIG. 2 is a rear elevational view thereof;
FIG. 3 is a top plan view thereof;
FIG. 4 is a bottom plan view thereof;
FIG. 5 is a right side elevational view thereof;
FIG. 6 is a left side elevational view thereof; and,
FIG. 7 is an end view thereof, taken along the line 7–7 in FIG. 1.

(56) **References Cited**

U.S. PATENT DOCUMENTS

D293,315 S *	12/1987	Suzuki et al.	D14/239
D328,897 S *	8/1992	Ito et al.	D14/198
D345,970 S *	4/1994	Kawamoto	D14/125
D393,637 S *	4/1998	Franek	D14/125
D537,435 S *	2/2007	Oikawa	D14/188
D582,362 S *	12/2008	Hanafusa et al.	D14/125
D608,744 S *	1/2010	Kim et al.	D14/125

1 Claim, 6 Drawing Sheets



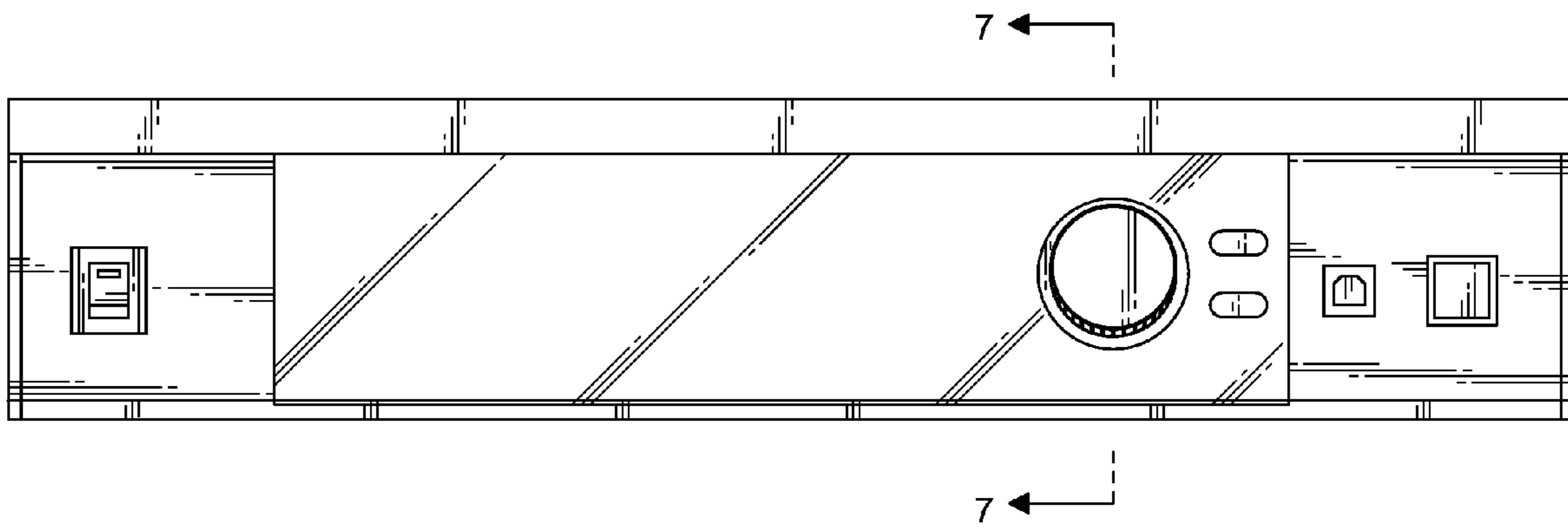


FIG.1

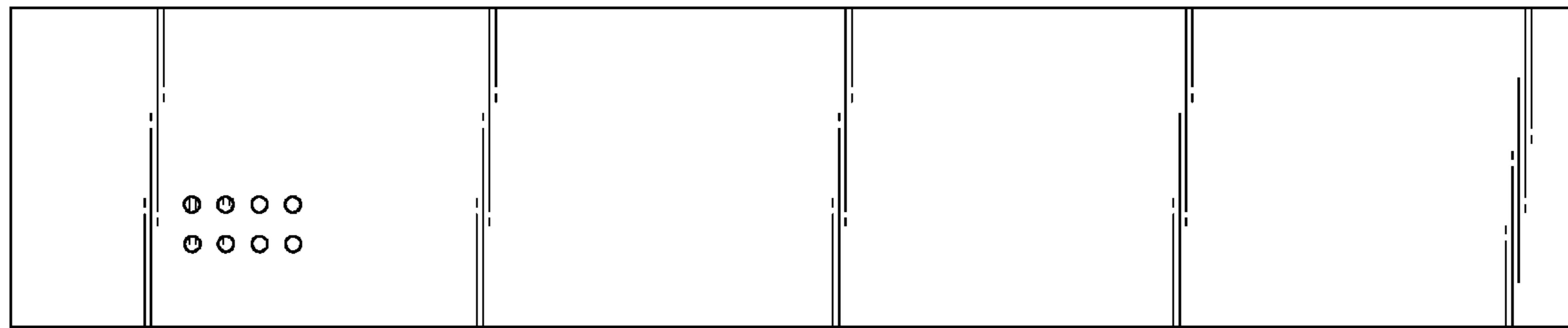


FIG.2

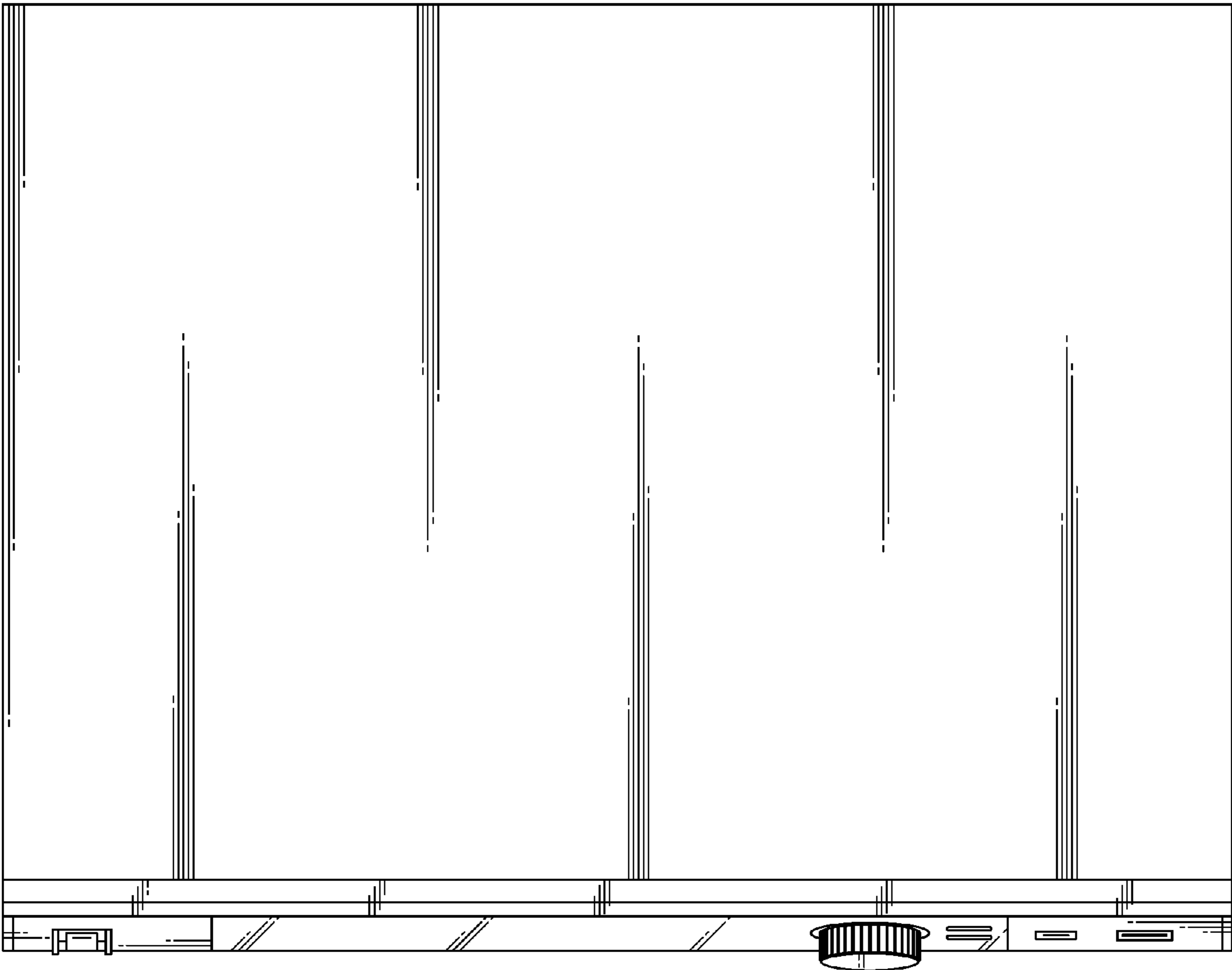


FIG.3

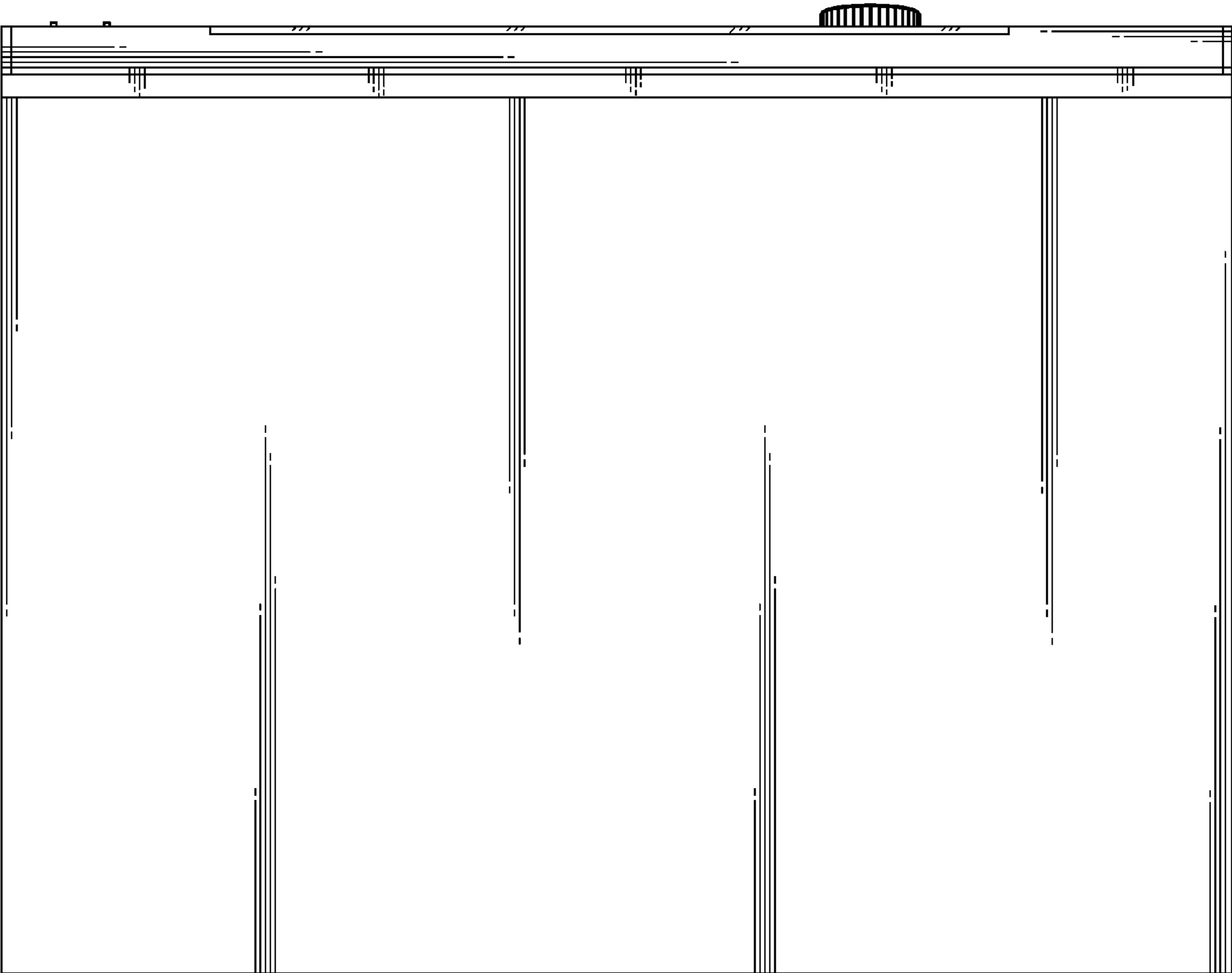


FIG.4

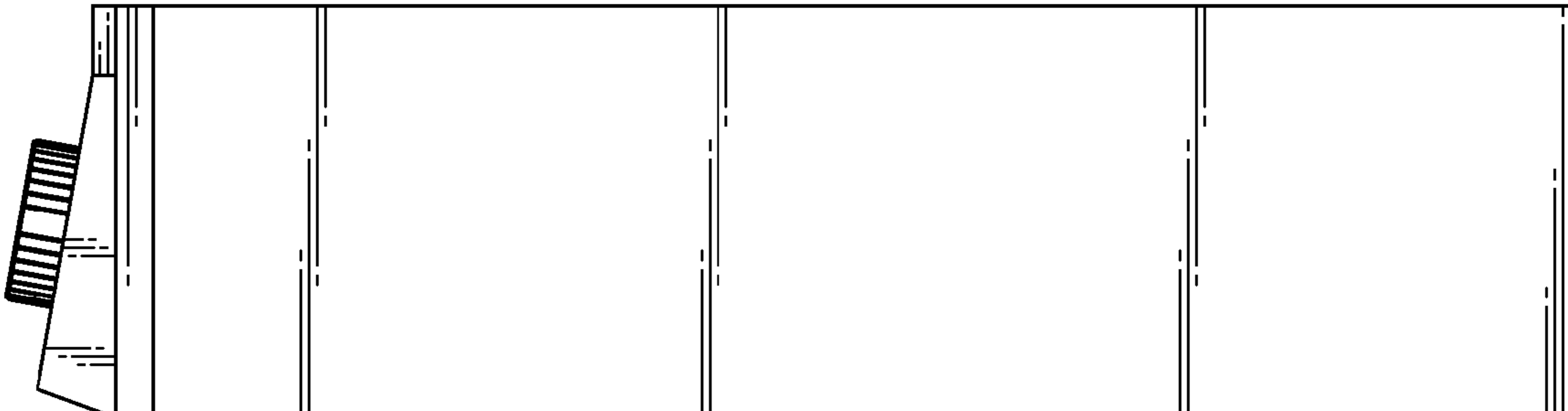


FIG.5

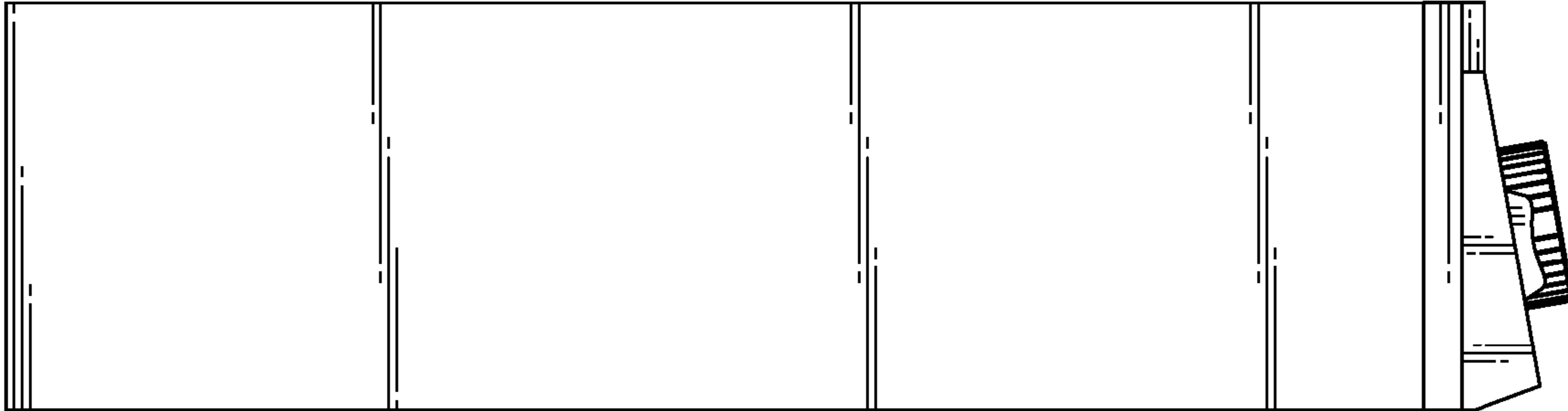


FIG.6

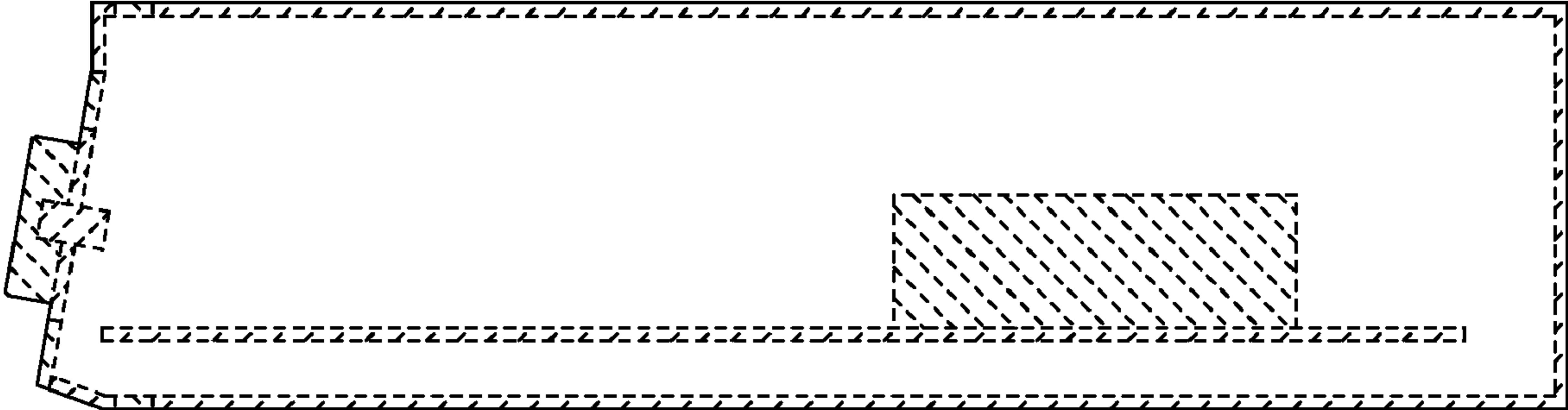


FIG.7