

US00D633058S

(12) **United States Design Patent**
Lin

(10) **Patent No.:** **US D633,058 S**
(45) **Date of Patent:** **** Feb. 22, 2011**

(54) **LIGHT EMITTING DIODE**

(75) Inventor: **Jung-Chiuan Lin**, Tucheng (TW)

(73) Assignee: **Everlight Electronics Co., Ltd.**,
Tucheng, Taipei County (TW)

(**) Term: **14 Years**

(21) Appl. No.: **29/363,332**

(22) Filed: **Jun. 8, 2010**

(30) **Foreign Application Priority Data**

Dec. 11, 2009 (TW) 98305963

(51) **LOC (9) Cl.** **13-03**

(52) **U.S. Cl.** **D13/180**

(58) **Field of Classification Search** D13/180;
D26/2; 257/79, 80, 81, 88, 89, 95, 98, 99,
257/100, E33.058; 313/483, 498, 500; 362/555,
362/800

See application file for complete search history.

(56) **References Cited**

U.S. PATENT DOCUMENTS

D490,062 S *	5/2004	Ishida	D13/180
D490,386 S *	5/2004	Ishida	D13/180
D493,429 S *	7/2004	Ishida	D13/180
D504,873 S *	5/2005	Ishida	D13/180
D509,487 S *	9/2005	Ishida	D13/180
D510,326 S *	10/2005	Ishida	D13/180
D511,148 S *	11/2005	Ishida	D13/180
D533,517 S	12/2006	Kim et al.		
D537,798 S *	3/2007	Shin et al.	D13/180
D595,677 S *	7/2009	Lee et al.	D13/180
D599,305 S *	9/2009	Kim et al.		
D599,306 S *	9/2009	Kong	D13/180

D601,518 S *	10/2009	Lee et al.		
D609,654 S *	2/2010	Hsieh	D13/180
2007/0001187 A1 *	1/2007	Kim	257/98
2010/0019267 A1 *	1/2010	Park et al.	257/98

FOREIGN PATENT DOCUMENTS

KR	3004082920000	2/2006
KR	3004108320000	3/2006
TW	D104955	6/2005
TW	D130666	9/2009

OTHER PUBLICATIONS

Taiwan Notice of Allowance mailed Sep. 14, 2010.

* cited by examiner

Primary Examiner—Selina Sikder

(74) *Attorney, Agent, or Firm*—Thomas, Kayden,
Horstemeyer & Risley, LLP

(57) **CLAIM**

The ornamental design for a lighting emitting diode, as shown and described.

DESCRIPTION

FIG. 1 is a perspective view of a light emitting diode showing the claimed design;

FIG. 2 is another perspective view thereof;

FIG. 3 is a front elevational view thereof;

FIG. 4 is a rear elevational view thereof;

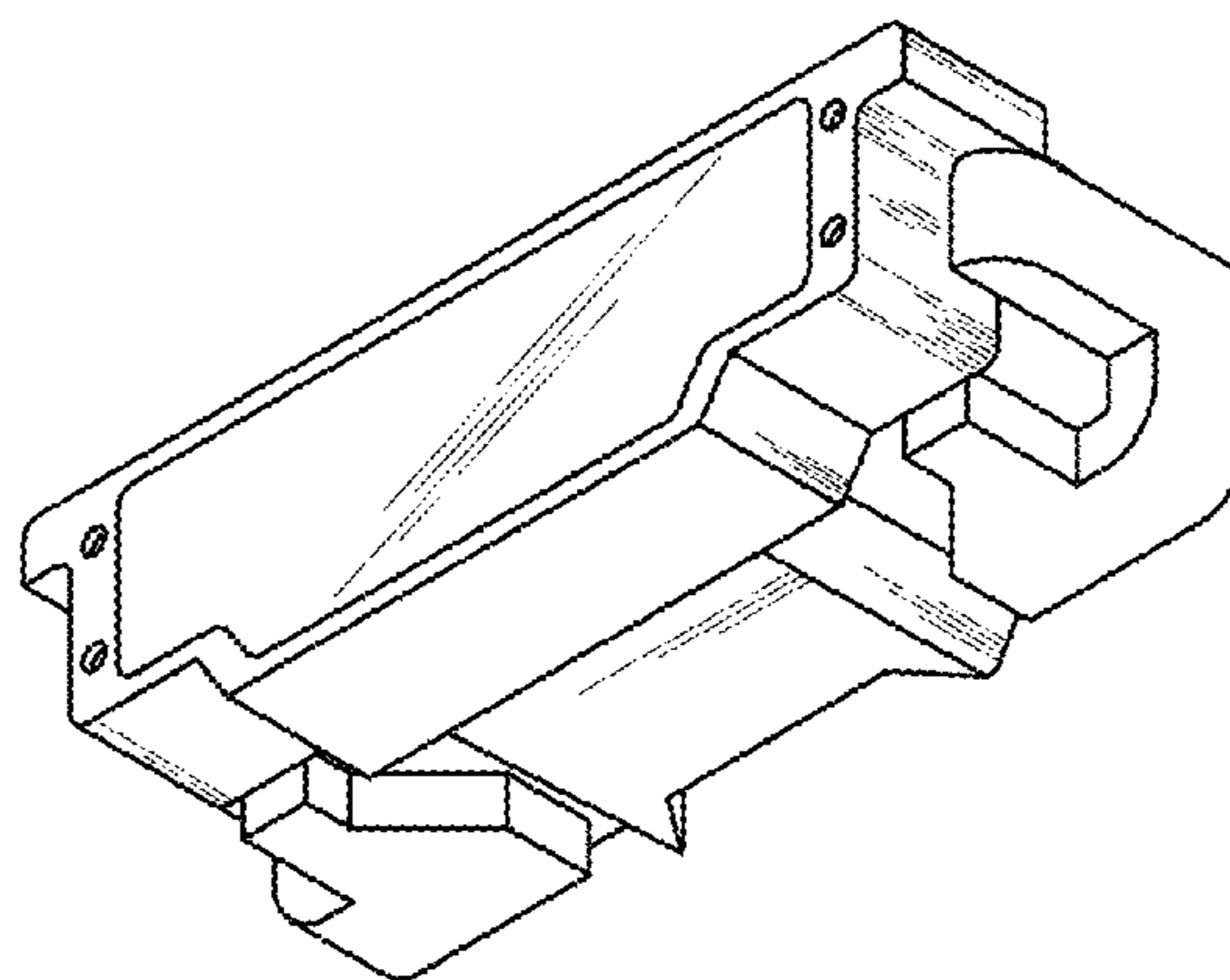
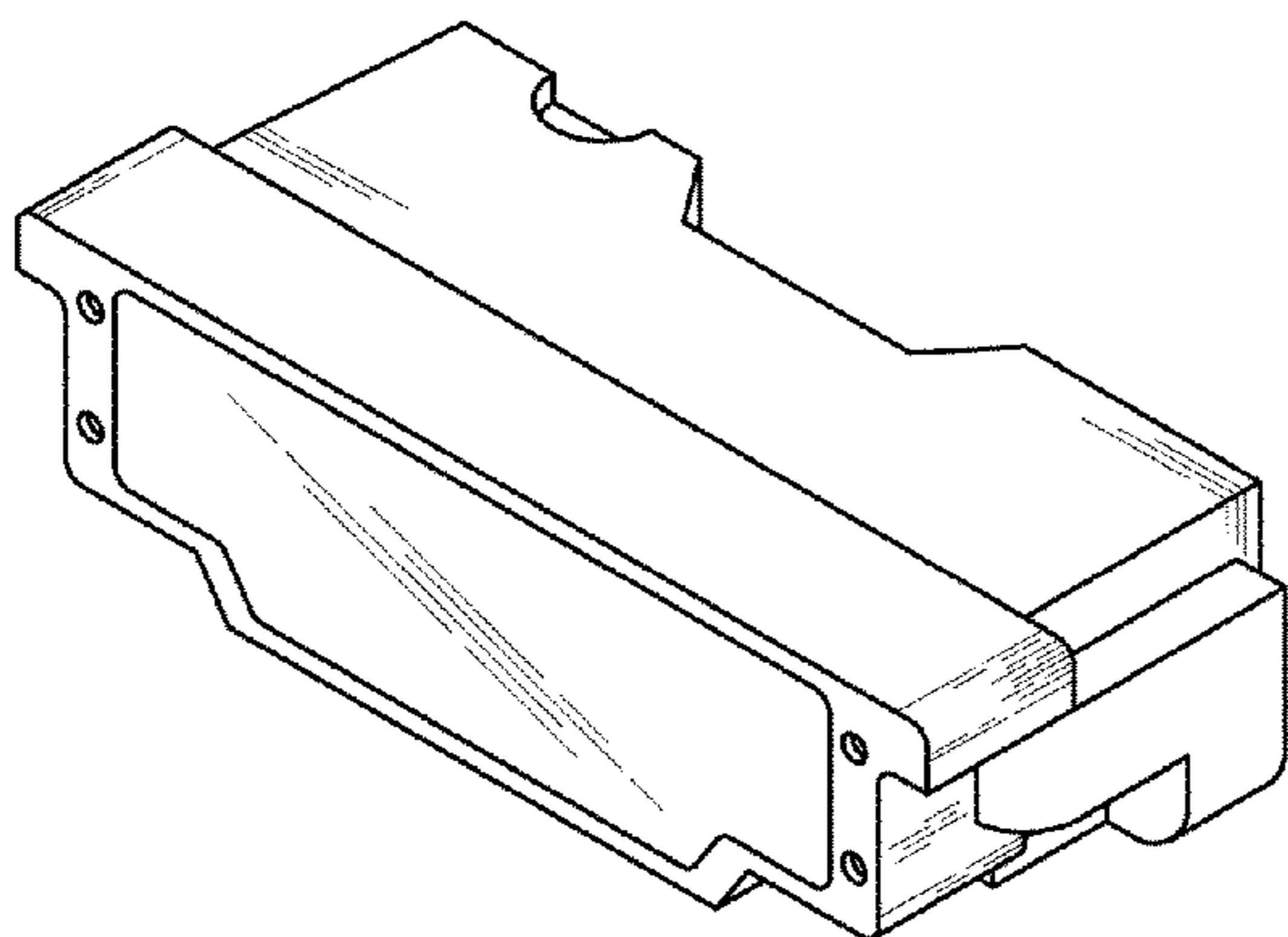
FIG. 5 is a left side elevational view thereof;

FIG. 6 is a right side elevational view thereof;

FIG. 7 is a top plan view thereof; and,

FIG. 8 is a bottom plan view thereof.

1 Claim, 5 Drawing Sheets



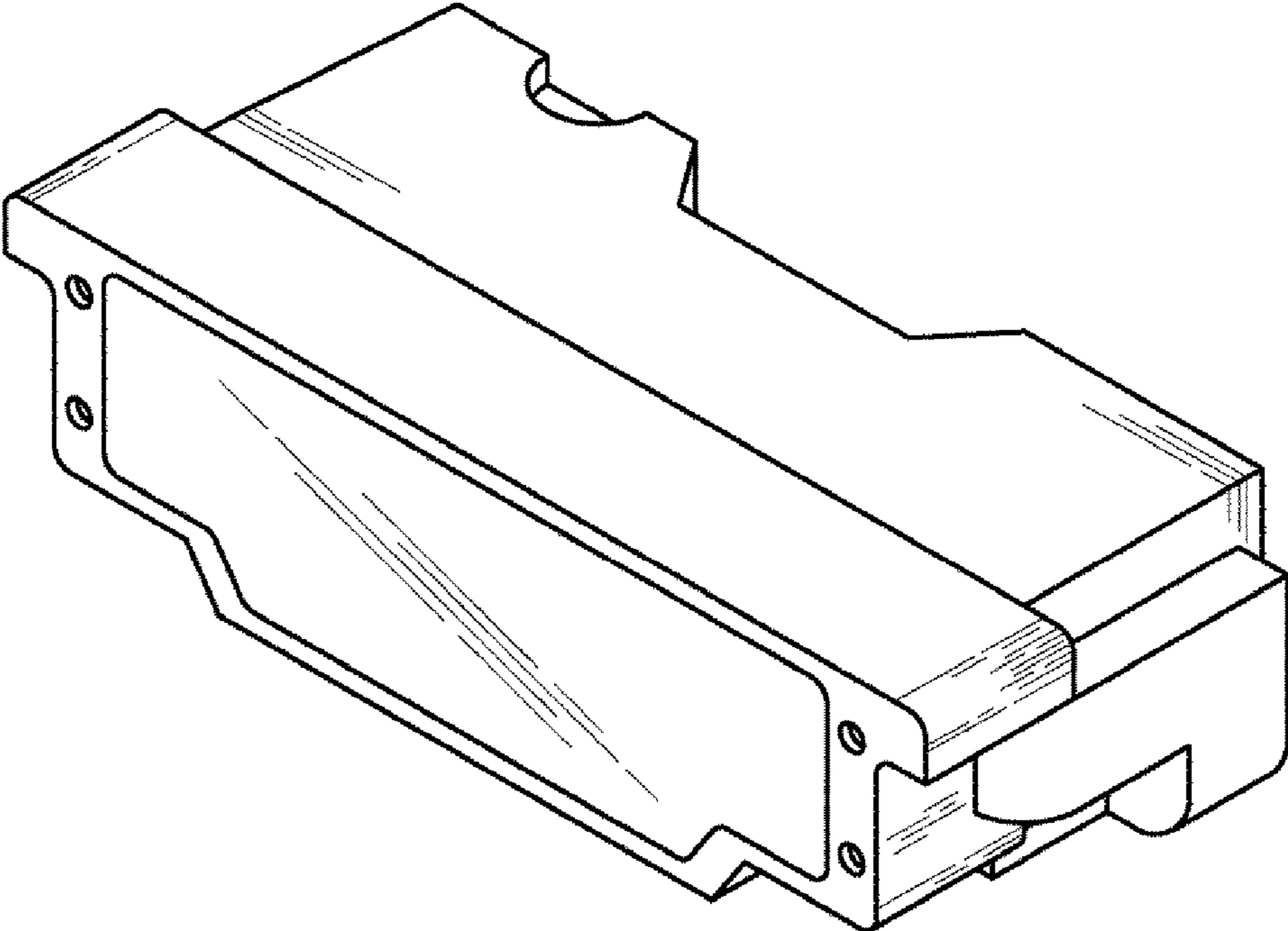


FIG. 1

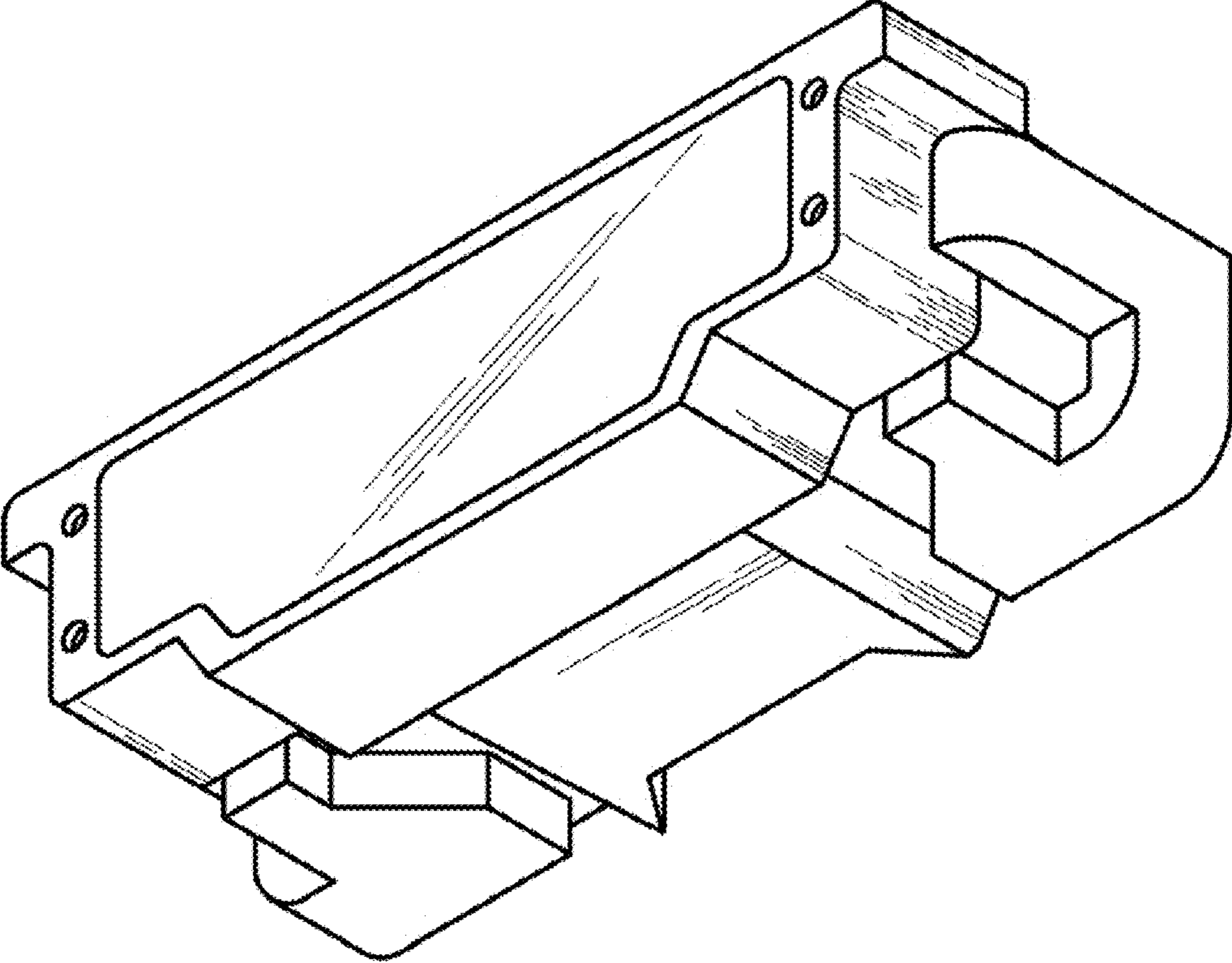


FIG.2

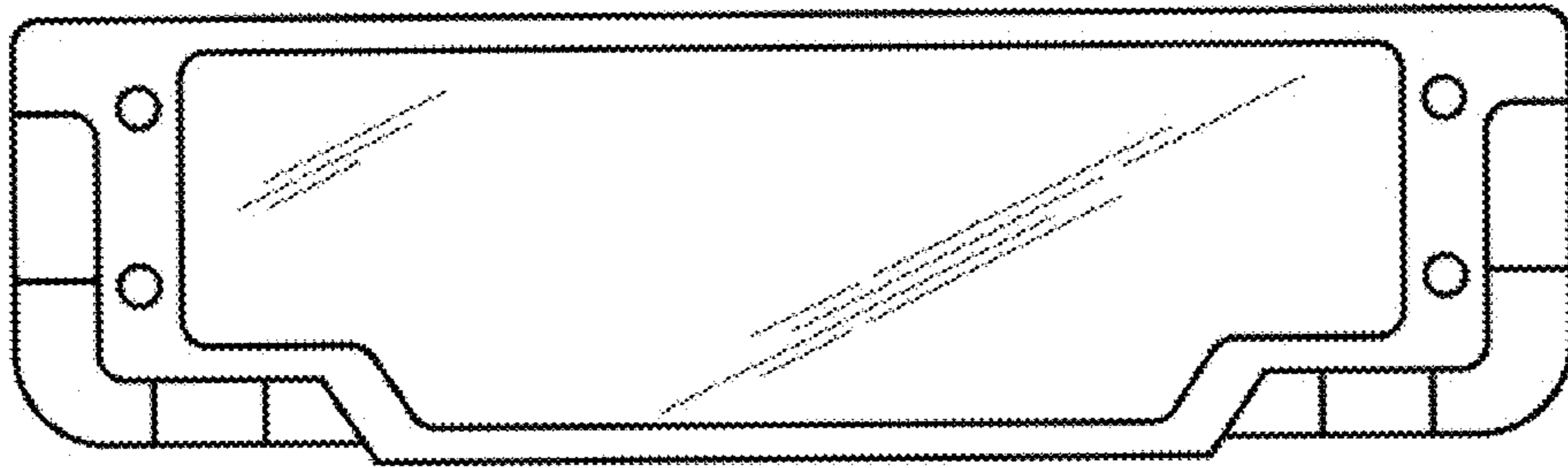


FIG. 3

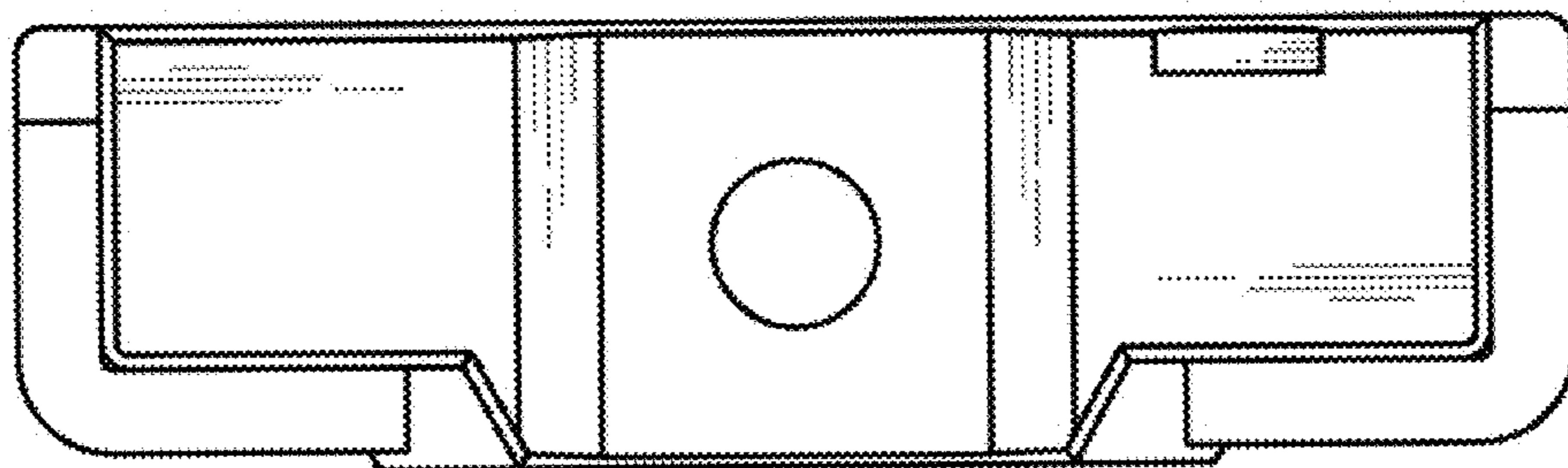


FIG. 4



FIG. 5

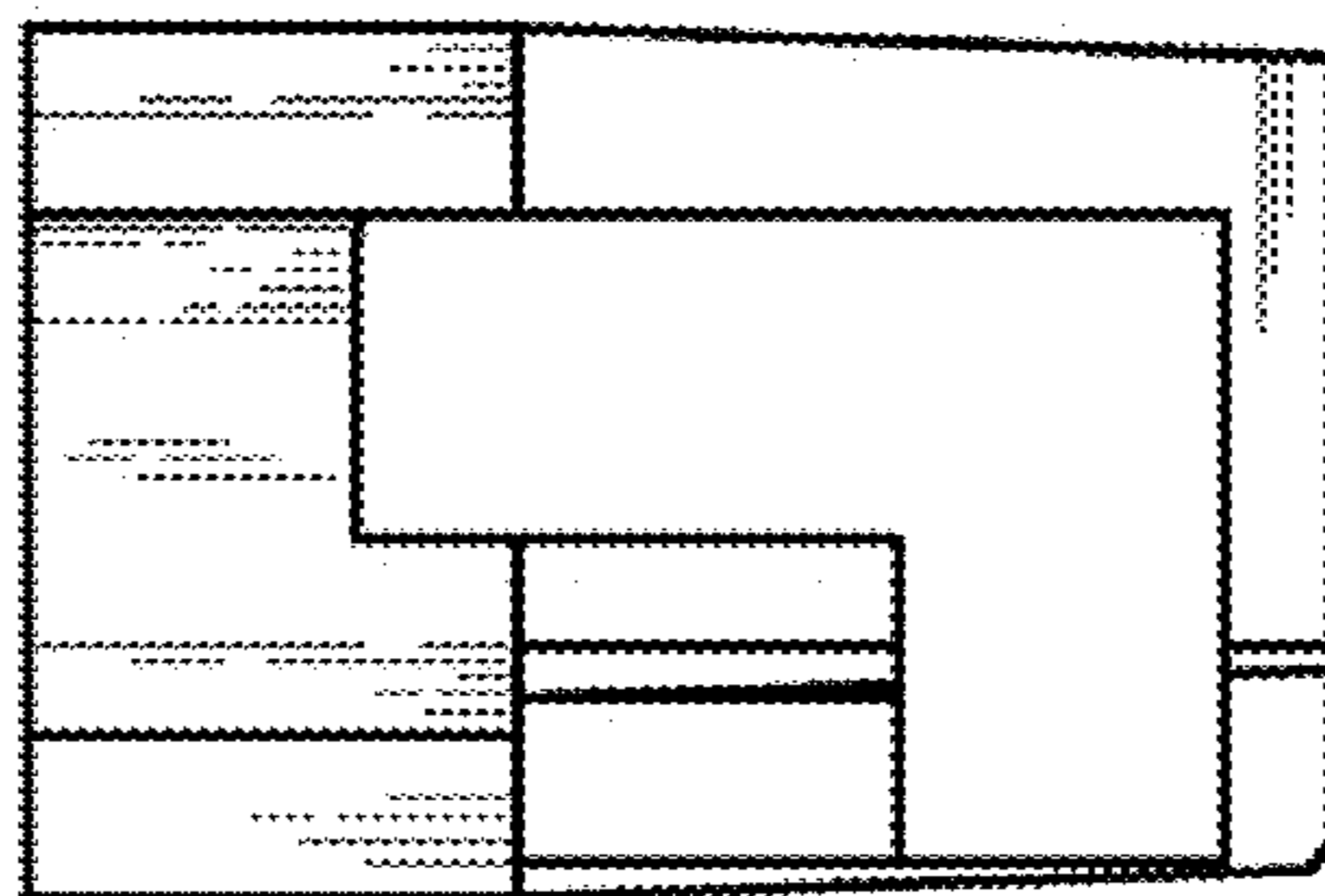


FIG. 6

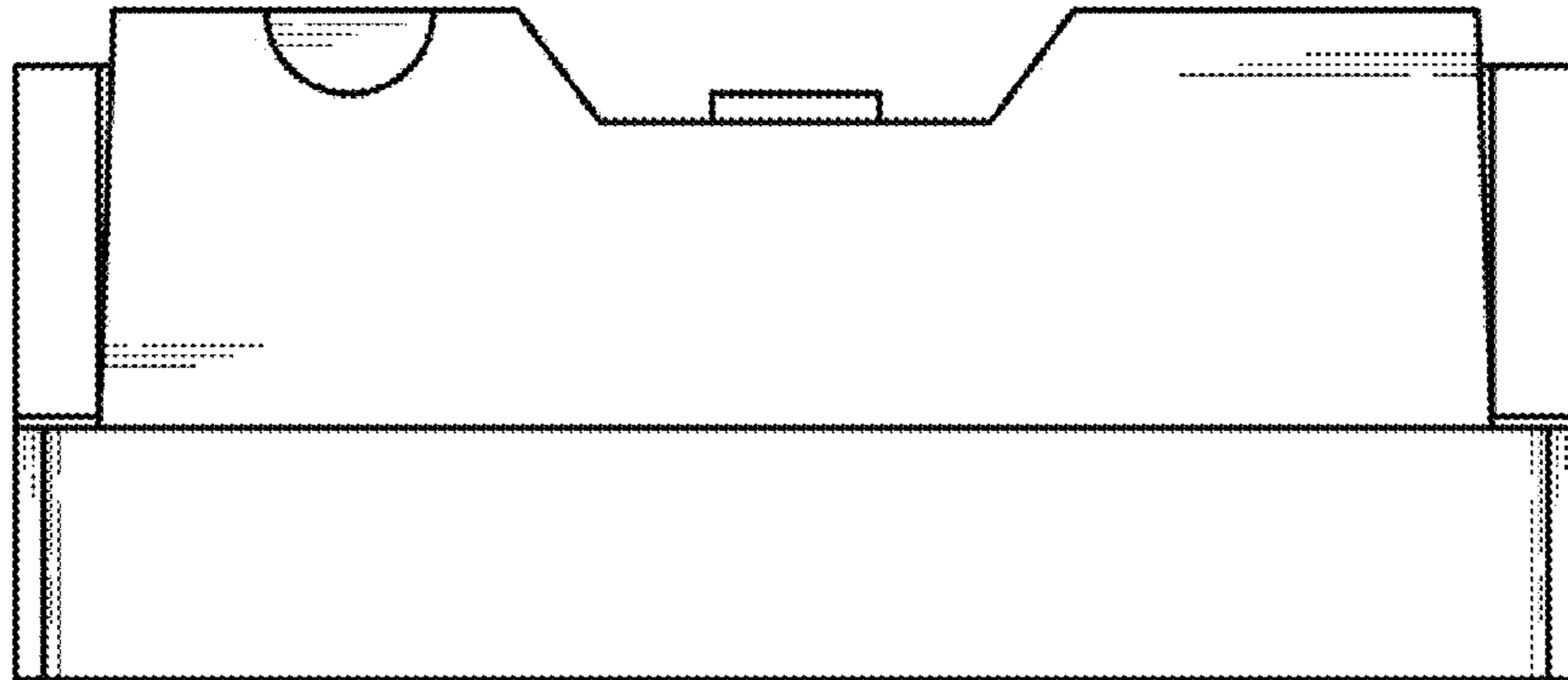


FIG. 7

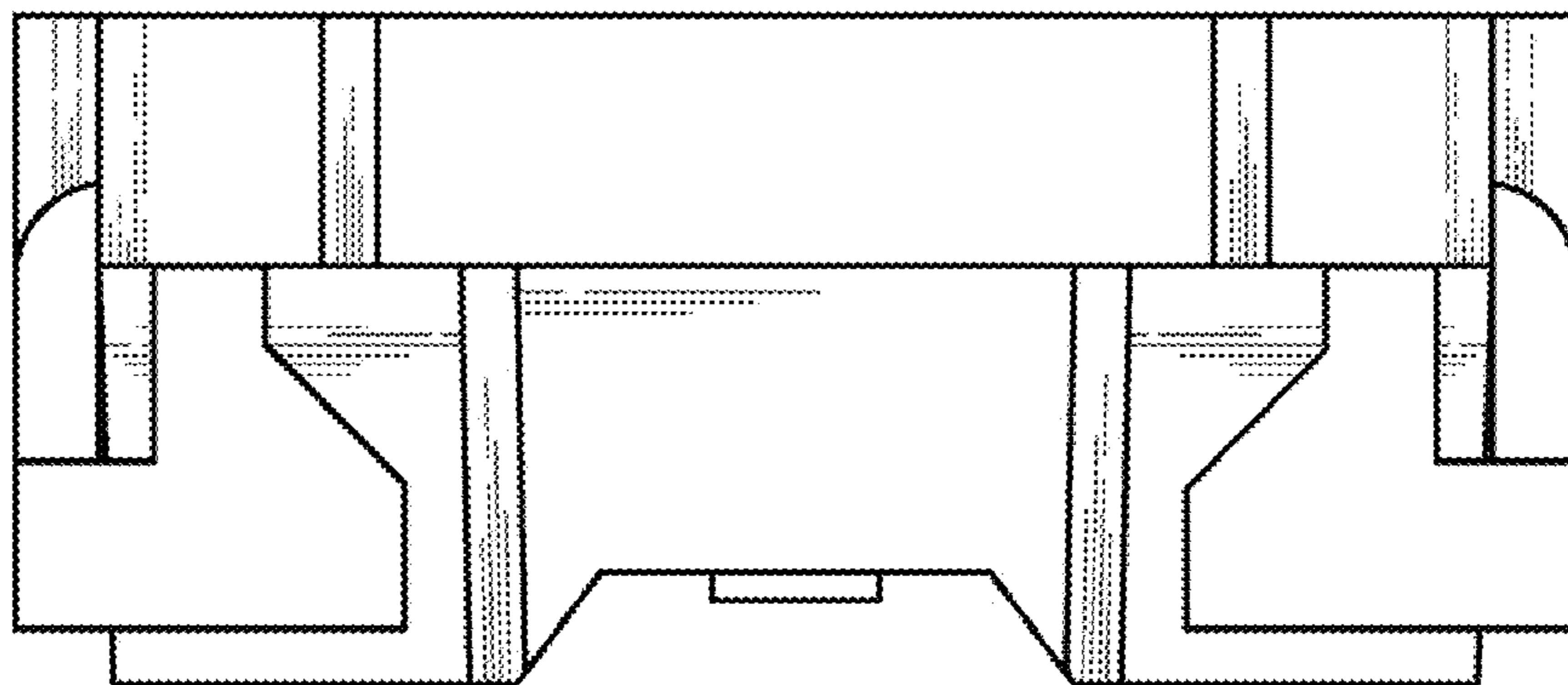


FIG. 8