



US00D633056S

(12) **United States Design Patent**
Fujihara et al.

(10) **Patent No.:** **US D633,056 S**
(45) **Date of Patent:** **** Feb. 22, 2011**

(54) **ELECTRO LUMINESCENCE MODULE**
(75) Inventors: **Koki Fujihara**, Amagasaki (JP); **Takao Miyai**, Hirakata (JP); **Taisuke Nishimori**, Osaka (JP); **Shingo Houzumi**, Himeji (JP); **Yoshikazu Kuzuoka**, Moriguchi (JP)
(73) Assignee: **Panasonic Electric Works Co., Ltd.**, Kadoma-shi (JP)

7,452,258 B1 * 11/2008 Marzen et al. 445/25
7,521,861 B2 * 4/2009 Kawauchi et al. 313/506
7,586,254 B2 * 9/2009 Kwak et al. 313/504
7,652,424 B2 * 1/2010 Park et al. 313/512
7,677,944 B2 * 3/2010 Kawauchi 445/25
2004/0051449 A1 * 3/2004 Klausmann et al. 313/512
2005/0077818 A1 * 4/2005 Hieda et al. 313/504
2008/0303408 A1 * 12/2008 Yamazaki et al. 313/498
2010/0062574 A1 * 3/2010 Kim et al. 438/158
2010/0136722 A1 * 6/2010 Kim et al. 438/23

* cited by examiner

(**) Term: **14 Years**
(21) Appl. No.: **29/358,266**

Primary Examiner—Selina Sikder
(74) *Attorney, Agent, or Firm*—Marvin A. Motsenbocker; MOTS Law, PLLC

(22) Filed: **Mar. 24, 2010**

(57) **CLAIM**

(30) **Foreign Application Priority Data**
Sep. 25, 2009 (JP) 2009-022214

The ornamental design for an electro luminescence module, as shown and described.

(51) **LOC (9) Cl.** **13-03**
(52) **U.S. Cl.** **D13/180; D13/182**
(58) **Field of Classification Search** D13/180, D13/182; D14/436, 437, 479; D20/27; 174/250, 174/253, 254; 257/40, 66, 72, 79; 313/483, 313/494, 504, 506, 512; 315/169.3; 345/76, 345/82; 438/99, 460; 427/66; 445/25; 428/690
See application file for complete search history.

DESCRIPTION

FIG. 1 is a perspective view of an electro luminescence module;
FIG. 2 is a front view thereof;
FIG. 3 is a right side view thereof;
FIG. 4 is a plan view thereof;
FIG. 5 is a rear view thereof; and,
FIG. 6 is an enlarged partial view between 6a—6a and 6b—6b thereof.

(56) **References Cited**
U.S. PATENT DOCUMENTS
2,063,271 A * 12/1936 Scott 40/662
D357,909 S * 5/1995 Gloton D14/437
5,936,344 A * 8/1999 Nagayama 313/506
6,081,071 A * 6/2000 Rogers 313/512
6,124,672 A * 9/2000 Burke 313/506
6,565,231 B1 * 5/2003 Cok 362/653
6,771,021 B2 * 8/2004 Cok 313/512
6,787,994 B2 * 9/2004 Cok 313/512
6,850,006 B2 * 2/2005 Kim et al. 313/512
D521,565 S * 5/2006 Stewart et al. D20/27
7,196,466 B2 * 3/2007 Hieda et al. 313/505

A left side view of the electro luminescence module is a mirror image of the right side view, and therefore omitted. A bottom plan view of the electro luminescence module is a mirror image of the plan view, and therefore omitted. The long dash short dash line forms the boundary of the claimed design and forms no part of the claimed design. The broken lines showing portions of the electroluminescence module are for illustrative purposes only and form no part of the claimed design.

1 Claim, 6 Drawing Sheets

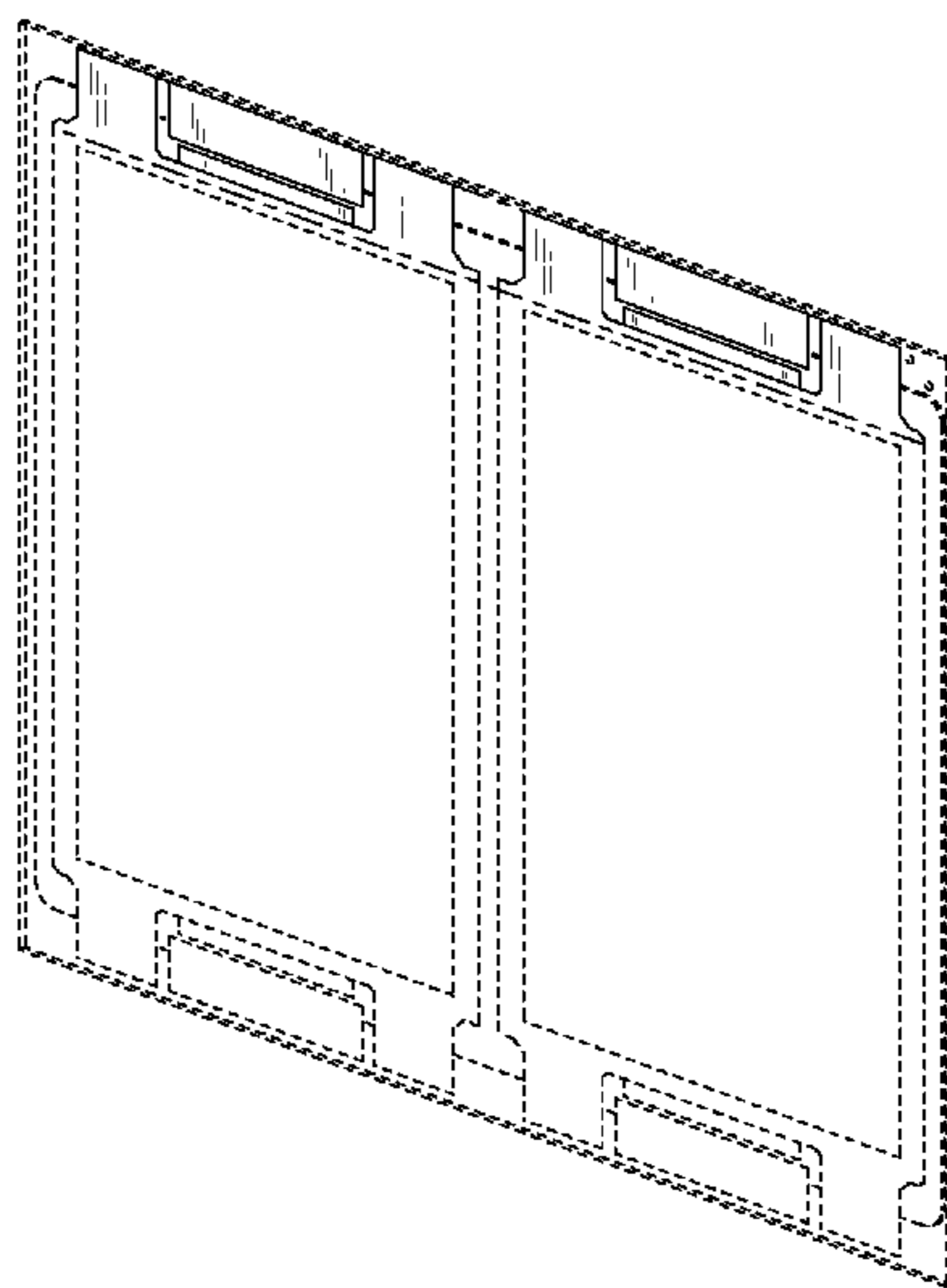


Fig. 1

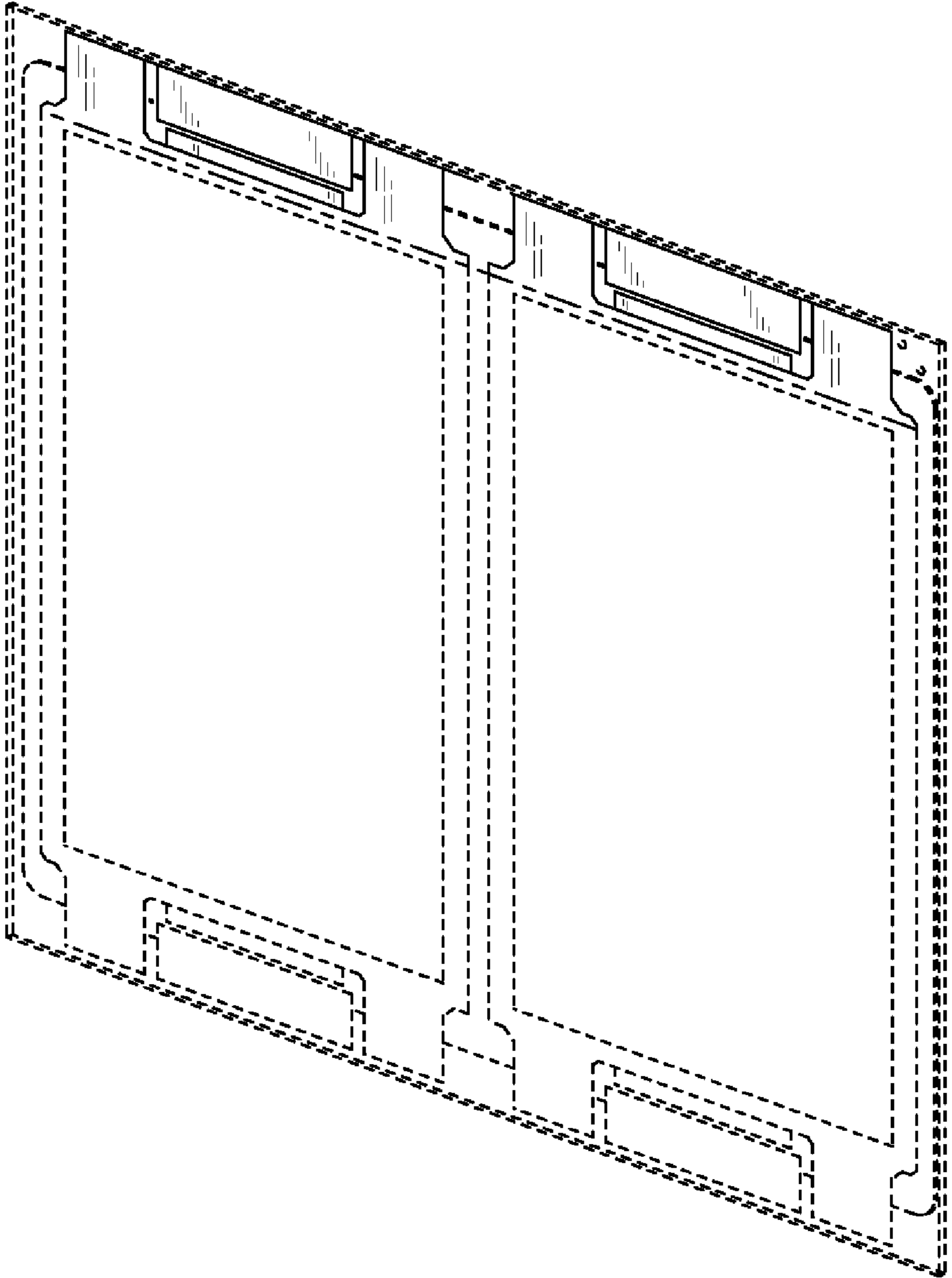


Fig.2

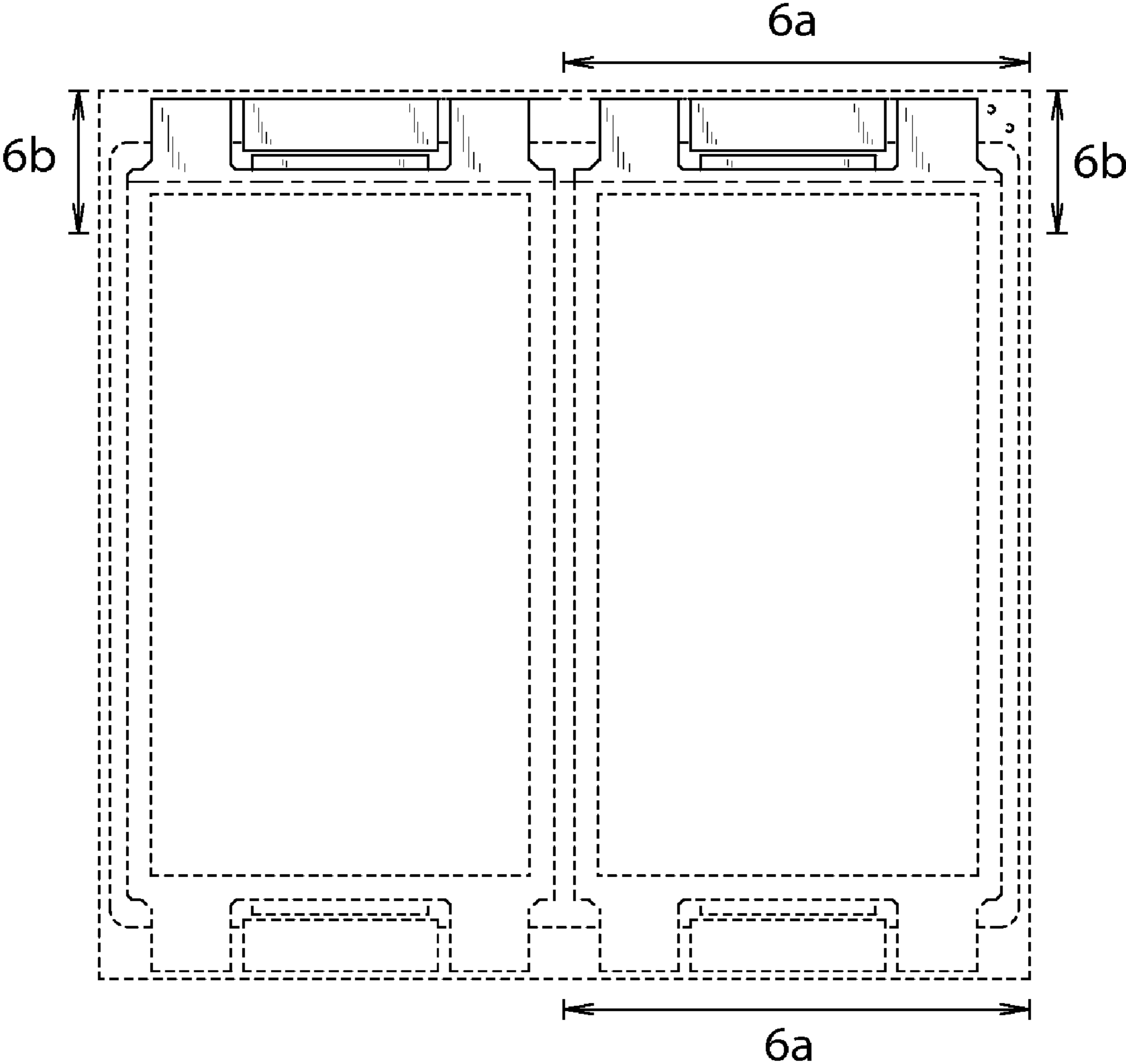


Fig. 3



Fig.4

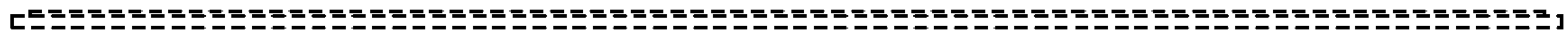


Fig.5

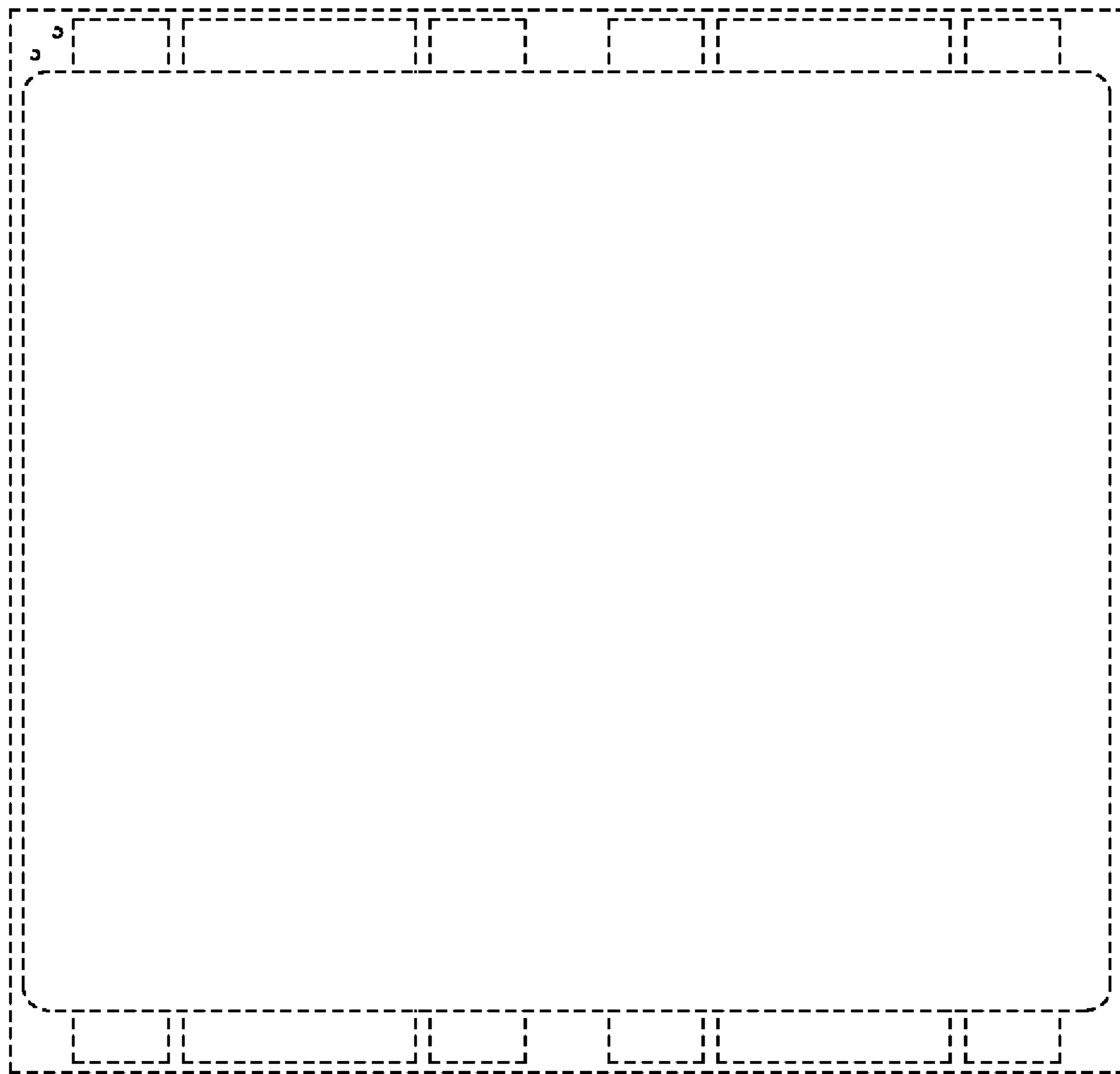


Fig.6

