



US00D633055S

(12) **United States Design Patent**
Fujihara et al.

(10) **Patent No.:** **US D633,055 S**

(45) **Date of Patent:** **** Feb. 22, 2011**

(54) **ELECTRO LUMINESCENCE MODULE**

(75) Inventors: **Koki Fujihara**, Amagasaki (JP); **Takao Miyai**, Hirakata (JP); **Taisuke Nishimori**, Osaka (JP); **Shingo Houzumi**, Himeji (JP); **Yoshikazu Kuzuoka**, Moriguchi (JP)

(73) Assignee: **Panasonic Electric Works Co., Ltd.**, Kadoma-shi (JP)

(**) Term: **14 Years**

(21) Appl. No.: **29/358,260**

(22) Filed: **Mar. 24, 2010**

(30) **Foreign Application Priority Data**

Sep. 25, 2009 (JP) 2009-022215

(51) **LOC (9) Cl.** **13-03**

(52) **U.S. Cl.** **D13/180; D13/182**

(58) **Field of Classification Search** D13/180, D13/182; D14/436, 437, 479; D20/27; 174/250, 174/253, 254; 257/40, 66, 72, 79; 313/483, 313/494, 504, 506, 512; 315/169.3; 345/76, 345/82; 438/99, 460; 427/66; 445/25; 428/690
See application file for complete search history.

(56) **References Cited**

U.S. PATENT DOCUMENTS

2,063,271	A *	12/1936	Scott	40/662
D357,909	S *	5/1995	Gloton	D14/437
5,936,344	A *	8/1999	Nagayama	313/506
6,081,071	A *	6/2000	Rogers	313/512
6,124,672	A *	9/2000	Burke	313/506
6,565,231	B1 *	5/2003	Cok	362/653
6,771,021	B2 *	8/2004	Cok	313/512
6,787,994	B2 *	9/2004	Cok	313/512
6,850,006	B2 *	2/2005	Kim et al.	313/512
D521,565	S *	5/2006	Stewart et al.	D20/27
7,196,466	B2 *	3/2007	Hieda et al.	313/505

7,452,258	B1 *	11/2008	Marzen et al.	445/25
7,521,861	B2 *	4/2009	Kawauchi et al.	313/506
7,586,254	B2 *	9/2009	Kwak et al.	313/504
7,652,424	B2 *	1/2010	Park et al.	313/512
7,677,944	B2 *	3/2010	Kawauchi	445/25
2004/0051449	A1 *	3/2004	Klausmann et al.	313/512
2005/0077818	A1 *	4/2005	Hieda et al.	313/504
2008/0303408	A1 *	12/2008	Yamazaki et al.	313/498
2010/0062574	A1 *	3/2010	Kim et al.	438/158
2010/0136722	A1 *	6/2010	Kim et al.	438/23

* cited by examiner

Primary Examiner—Selina Sikder

(74) *Attorney, Agent, or Firm*—Marvin A. Motsenbocker; Mots Law, PLLC

(57) **CLAIM**

The ornamental design for an electro luminescence module, as shown and described.

DESCRIPTION

FIG. 1 is a perspective view of an electro luminescence module;

FIG. 2 is a front view thereof;

FIG. 3 is a right side view thereof;

FIG. 4 is a plan view thereof;

FIG. 5 is a rear view thereof; and,

FIG. 6 is an enlarged partial view between 6a—6a and 6b—6b thereof.

A left side view of the electro luminescence module is a mirror image of the right side view, and therefore omitted. A bottom plan view of the electro luminescence module is a mirror image of the plan view, and therefore omitted. The long dash short dash line forms the boundary of the claimed design and forms no part of the claimed design. The broken lines showing portions of the electroluminescence module are for illustrative purposes only and form no part of the claimed design.

1 Claim, 6 Drawing Sheets

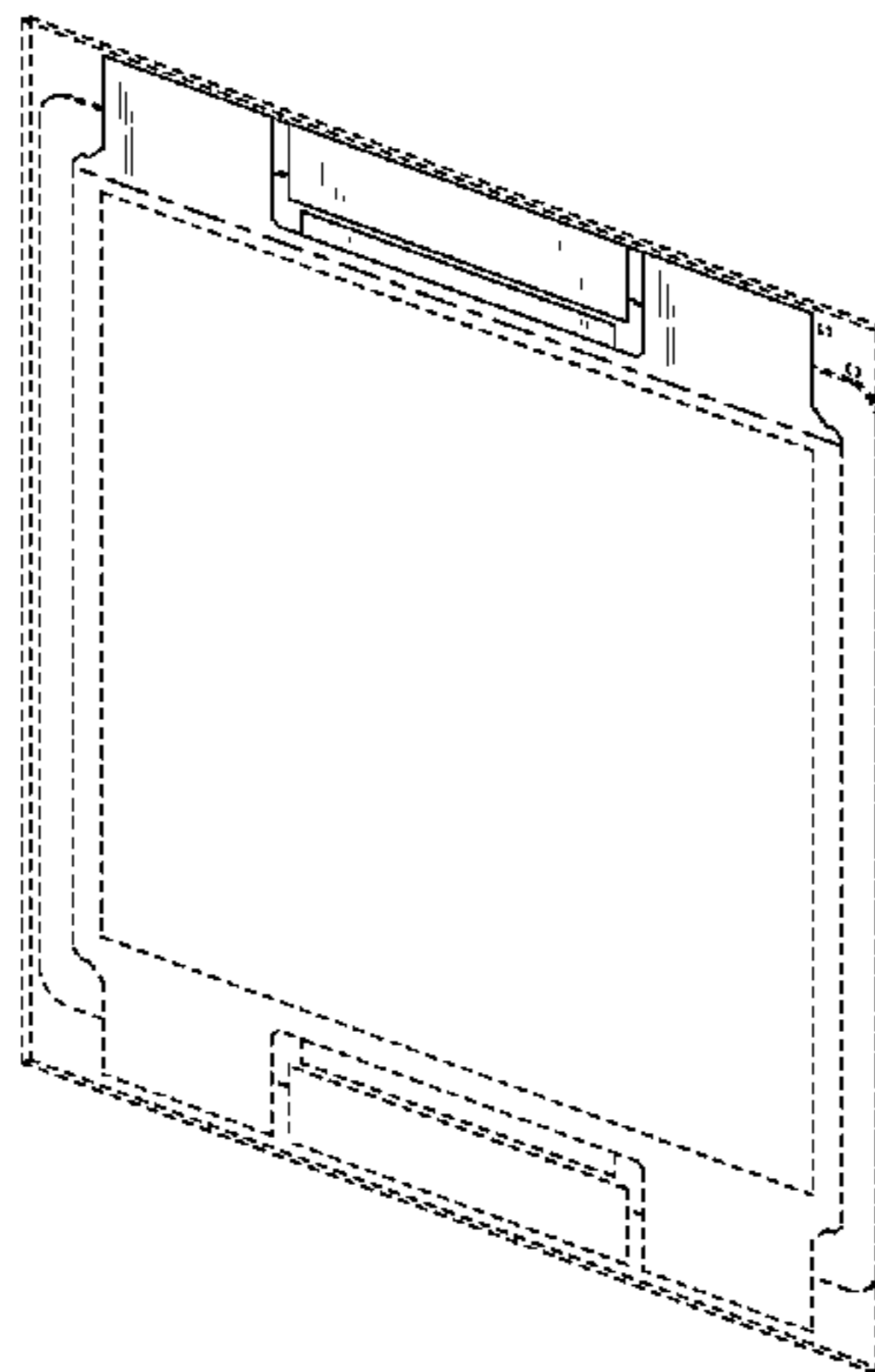


Fig. 1

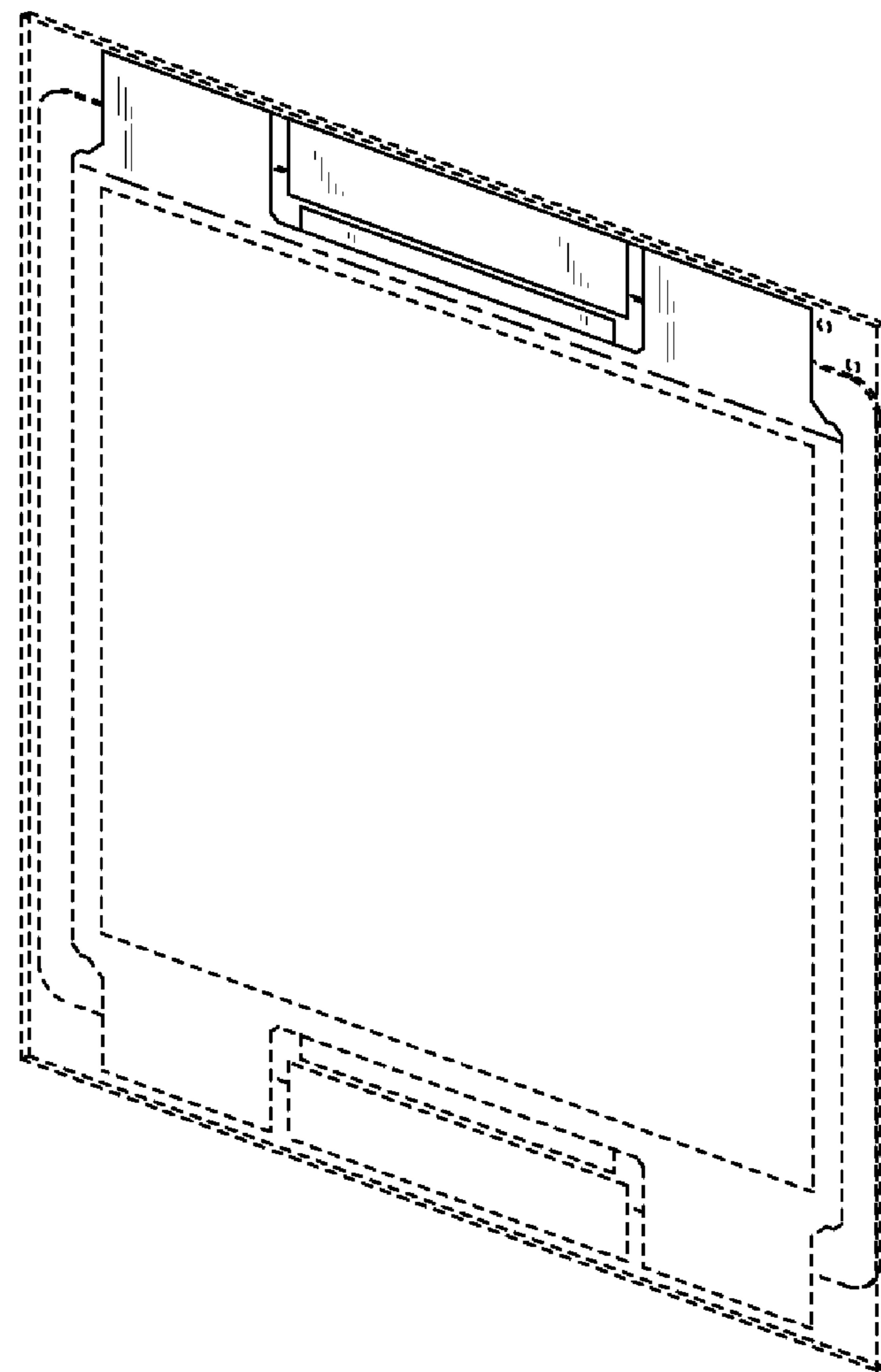


Fig.2

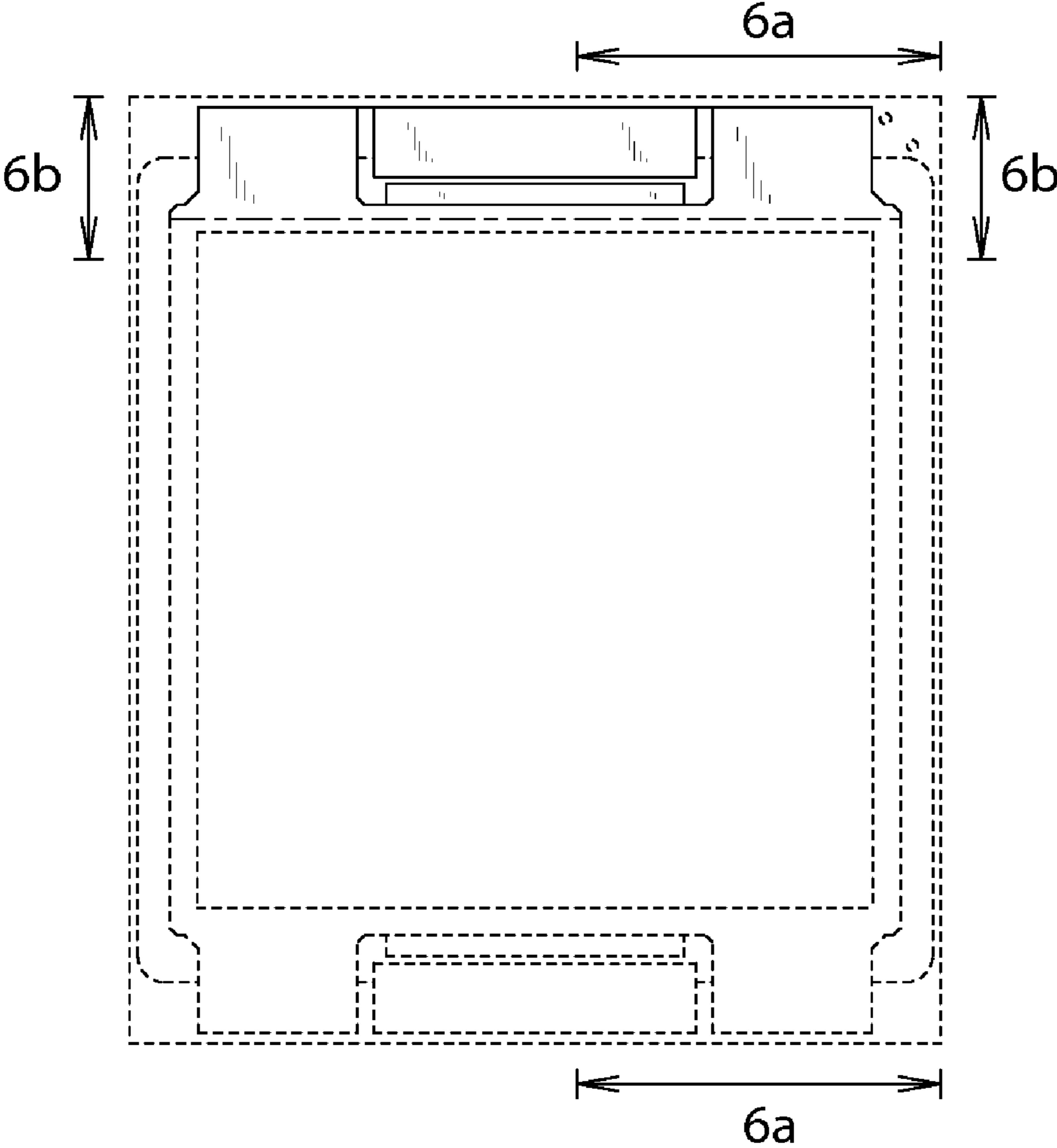


Fig. 3



Fig.4

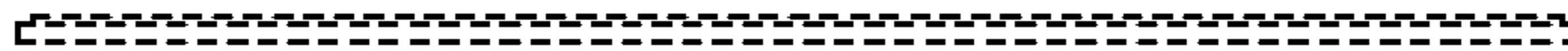


Fig. 5

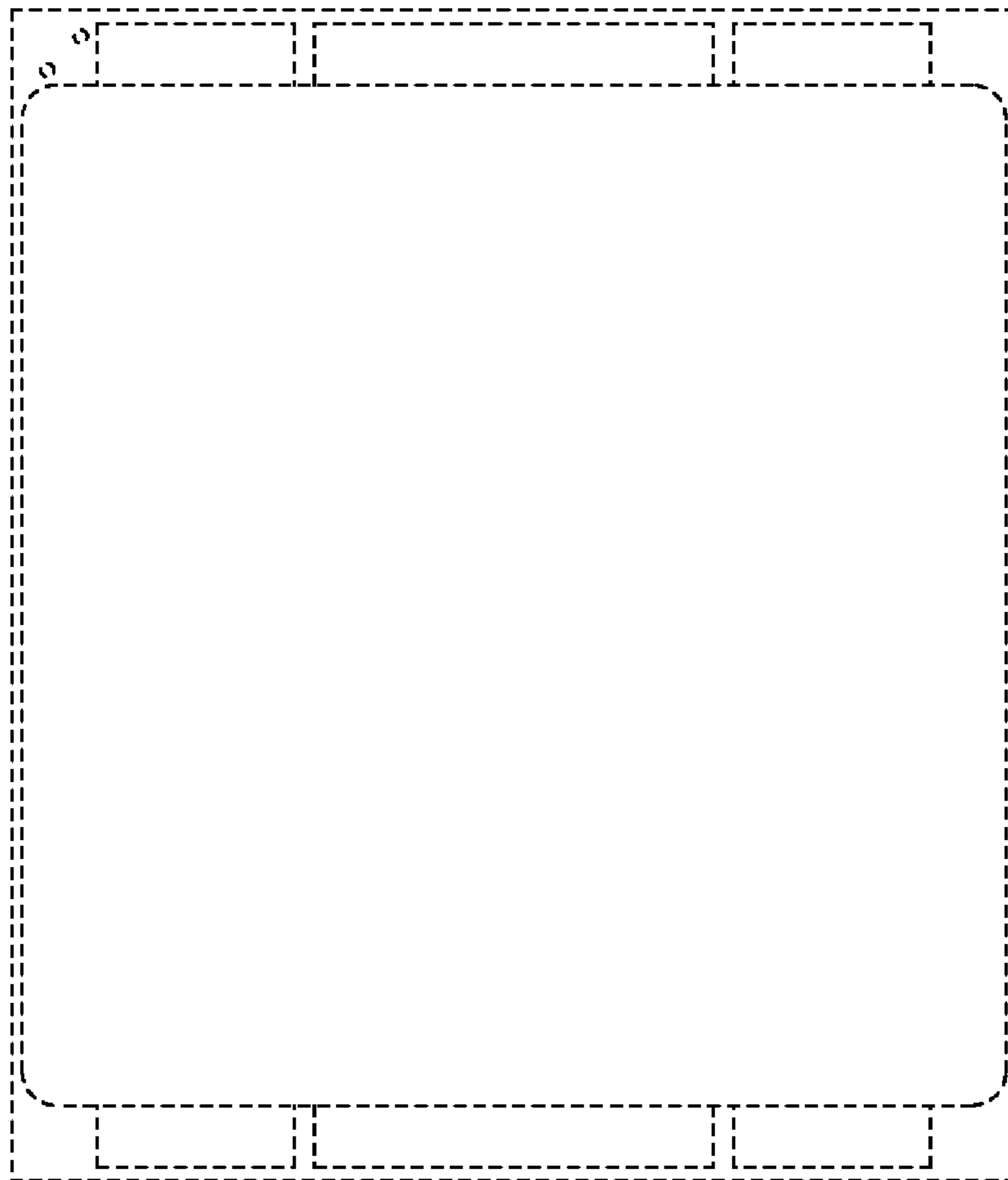


Fig.6

