



US00D633051S

(12) **United States Design Patent**
Nurmi et al.

(10) **Patent No.:** **US D633,051 S**

(45) **Date of Patent:** **** Feb. 22, 2011**

(54) **CABLE GLAND MODULE**

(75) Inventors: **Aapo Nurmi**, Kiikka (FI); **Mika Hautamäki**, Helsinki (FI)

(73) Assignee: **Trelleborg Industrial Products Finland Oy** (FI)

(**) Term: **14 Years**

(21) Appl. No.: **29/376,848**

(22) Filed: **Oct. 13, 2010**

Related U.S. Application Data

(62) Division of application No. 29/346,331, filed on Oct. 30, 2009.

(30) **Foreign Application Priority Data**

Apr. 30, 2009 (EM) 001135701

(51) **LOC (9) Cl.** **13-03**

(52) **U.S. Cl.** **D13/155**

(58) **Field of Classification Search** D13/133,
D13/147, 153, 154, 155, 184, 199; D8/354,
D8/355, 356, 357, 358, 359, 360.1; 174/48,
174/68.3, 72 A, 95, 99 R, 101; 248/56; 439/680,
439/607.01, 607.04, 607.05, 607.17, 607.25,
439/607.34, 607.41, 607.53

See application file for complete search history.

(56) **References Cited**

U.S. PATENT DOCUMENTS

D236,250 S 8/1975 Walton
D236,481 S 8/1975 Johnston
D304,325 S 10/1989 Pushelberg et al.
D481,684 S 11/2003 Bomar
D597,035 S 7/2009 Libby

OTHER PUBLICATIONS

<http://oami.europa.eu/RCDOnline/RequestManager>; Registration No. 001050736-0001; Registration Date Nov. 26, 2008; Publication Date: Dec. 15, 2008; Owner: Oy Mar-Con Polymers Ltd.

<http://oami.europa.eu/RCDOnline/RequestManager>; Registration No. 001050736-0002; Registration Date Nov. 26, 2008; Publication Date: Dec. 15, 2008; Owner: Oy Mar-Con Polymers Ltd.

<http://oami.europa.eu/RCDOnline/RequestManager>; Registration No. 001050736-0003; Registration Date Nov. 26, 2008; Publication Date: Dec. 15, 2008; Owner: Oy Mar-Con Polymers Ltd.

<http://oami.europa.eu/RCDOnline/RequestManager>; Registration No. 001050736-0004; Registration Date Nov. 26, 2008; Publication Date: Dec. 15, 2008; Owner: Oy Mar-Con Polymers Ltd.

<http://www.trelleborg.com/fi/Mar-con/TUOTTEET/Multilaippa/MC3>; published prior to Apr. 30, 2009; Model MC 3.

(Continued)

Primary Examiner—Daniel D Bui

(74) *Attorney, Agent, or Firm*—Banner & Witcoff, Ltd.

(57) **CLAIM**

The ornamental design for a cable gland module, as shown and described.

DESCRIPTION

FIG. 1 is a perspective front and top view of a cable gland module showing our new design;

FIG. 2 is a perspective rear and bottom view thereof;

FIG. 3 is a top plan view thereof;

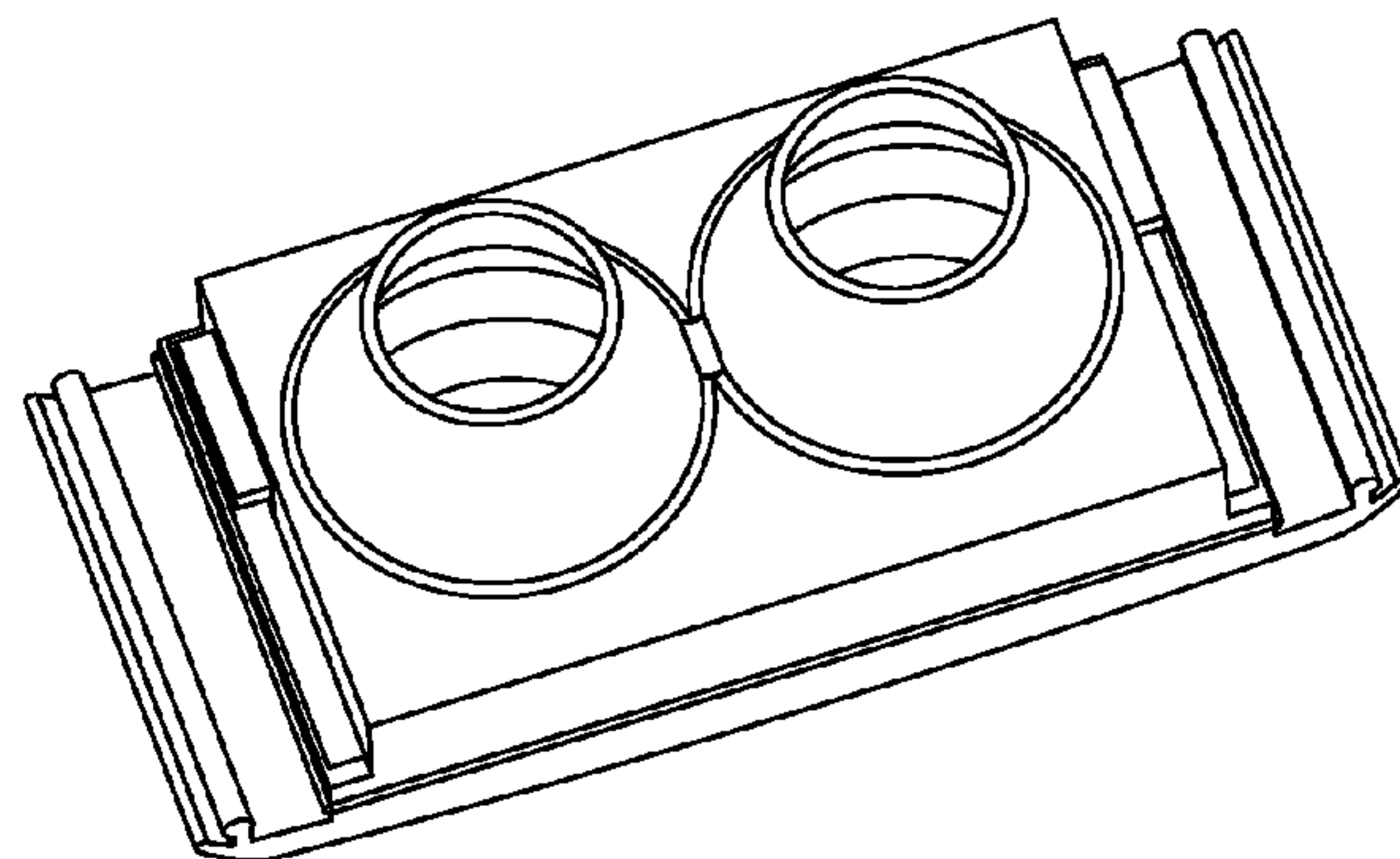
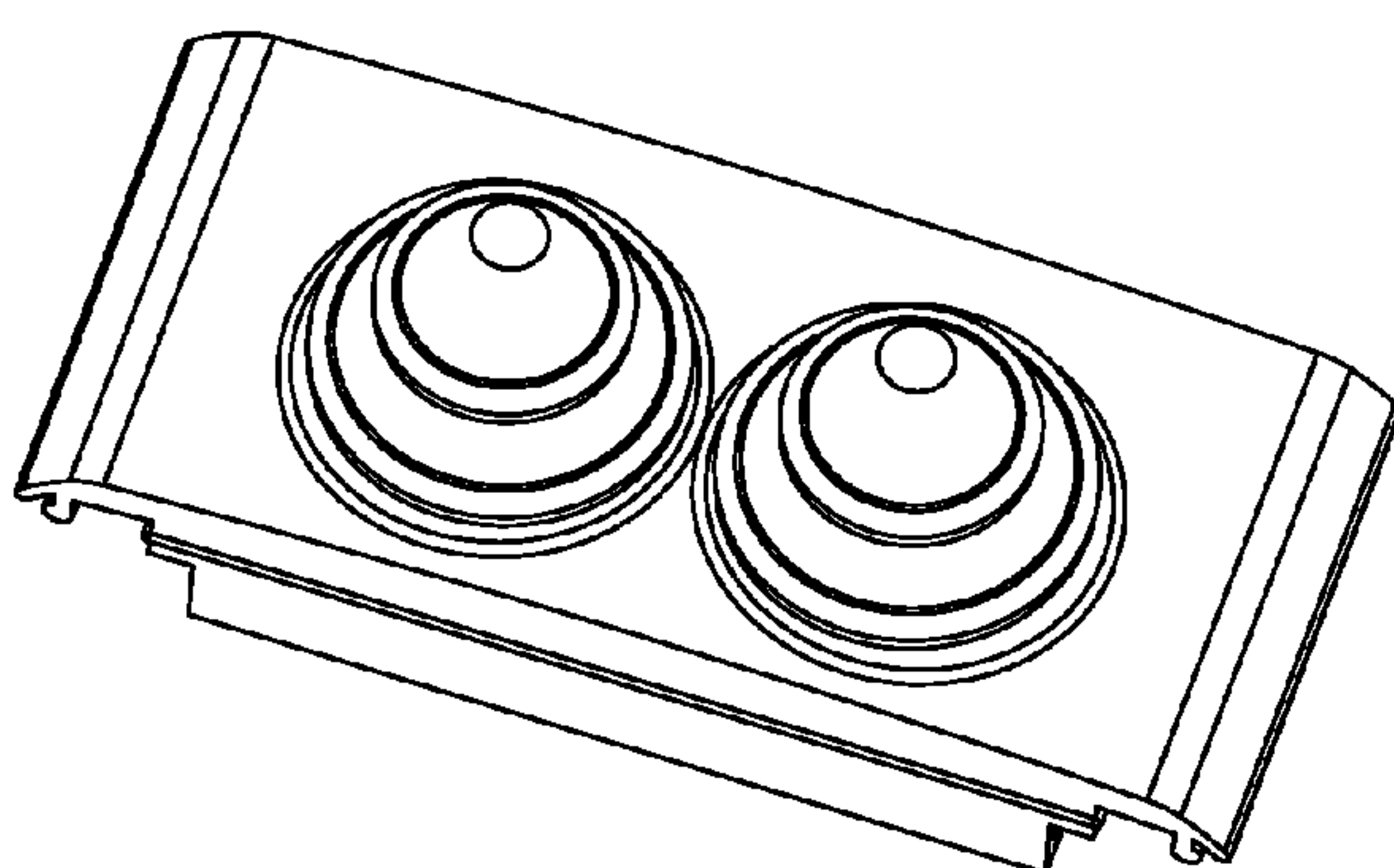
FIG. 4 is a bottom plan view thereof;

FIG. 5 is a rear elevation view thereof;

FIG. 6 is a front elevation view thereof; and,

FIG. 7 is a left side elevation view thereof.

1 Claim, 2 Drawing Sheets



OTHER PUBLICATIONS

[http://www.trelleborg.com/fi/Mar-con/TUOTTEET/Multilaippa/MC 25](http://www.trelleborg.com/fi/Mar-con/TUOTTEET/Multilaippa/MC%2025); published prior to Apr. 30, 2009; Model MC 25.

[http://www.trelleborg.com/fi/Mar-con/TUOTTEET/Multilaippa/MC 35](http://www.trelleborg.com/fi/Mar-con/TUOTTEET/Multilaippa/MC%2035); published prior to Apr. 30, 2009; Model MC 35.

[http://www.trelleborg.com/fi/Mar-con/TUOTTEET/Multilaippa/MC 16](http://www.trelleborg.com/fi/Mar-con/TUOTTEET/Multilaippa/MC%2016); published prior to Apr. 30, 2009; Model MC 16.

[http://www.trelleborg.com/fi/Mar-con/TUOTTEET/Multilaippa/MC 10-30](http://www.trelleborg.com/fi/Mar-con/TUOTTEET/Multilaippa/MC%2010-30); published prior to Apr. 30, 2009; Model MC 10-30.

[http://www.trelleborg.com/fi/Mar-con/TUOTTEET/Multilaippa/MB 10-25](http://www.trelleborg.com/fi/Mar-con/TUOTTEET/Multilaippa/MB%2010-25); published prior to Apr. 30, 2009; Model MB 10-25.

[http://www.trelleborg.com/fi/Mar-con/TUOTTEET/Multilaippa/MX 10-30](http://www.trelleborg.com/fi/Mar-con/TUOTTEET/Multilaippa/MX%2010-30); published prior to Apr. 30, 2009; Model MX 10-30.

[http://www.trelleborg.com/fi/Mar-con/TUOTTEET/Multilaippa/Rittal 52](http://www.trelleborg.com/fi/Mar-con/TUOTTEET/Multilaippa/Rittal%2052); published prior to Apr. 30, 2009; Model Rittal 52.

[http://www.trelleborg.com/fi/Mar-con/TUOTTEET/Multilaippa/Rittal 85](http://www.trelleborg.com/fi/Mar-con/TUOTTEET/Multilaippa/Rittal%2085); published prior to Apr. 30, 2009; Model Rittal 85.

[http://www.trelleborg.com/fi/Mar-con/TUOTTEET/Multilaippa/Rittal 88](http://www.trelleborg.com/fi/Mar-con/TUOTTEET/Multilaippa/Rittal%2088); published prior to Apr. 30, 2009; Model Rittal 88.

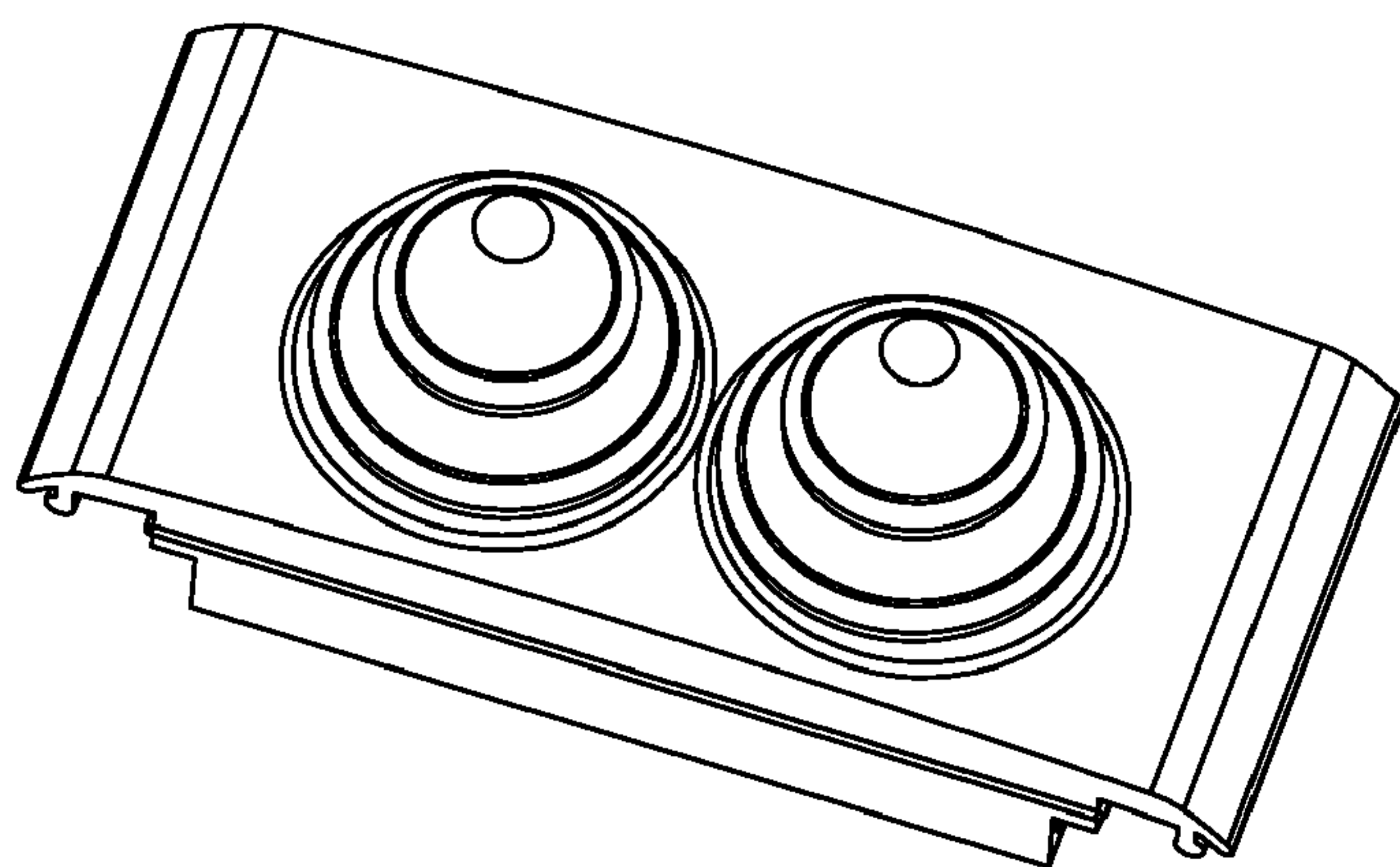


FIG. 1

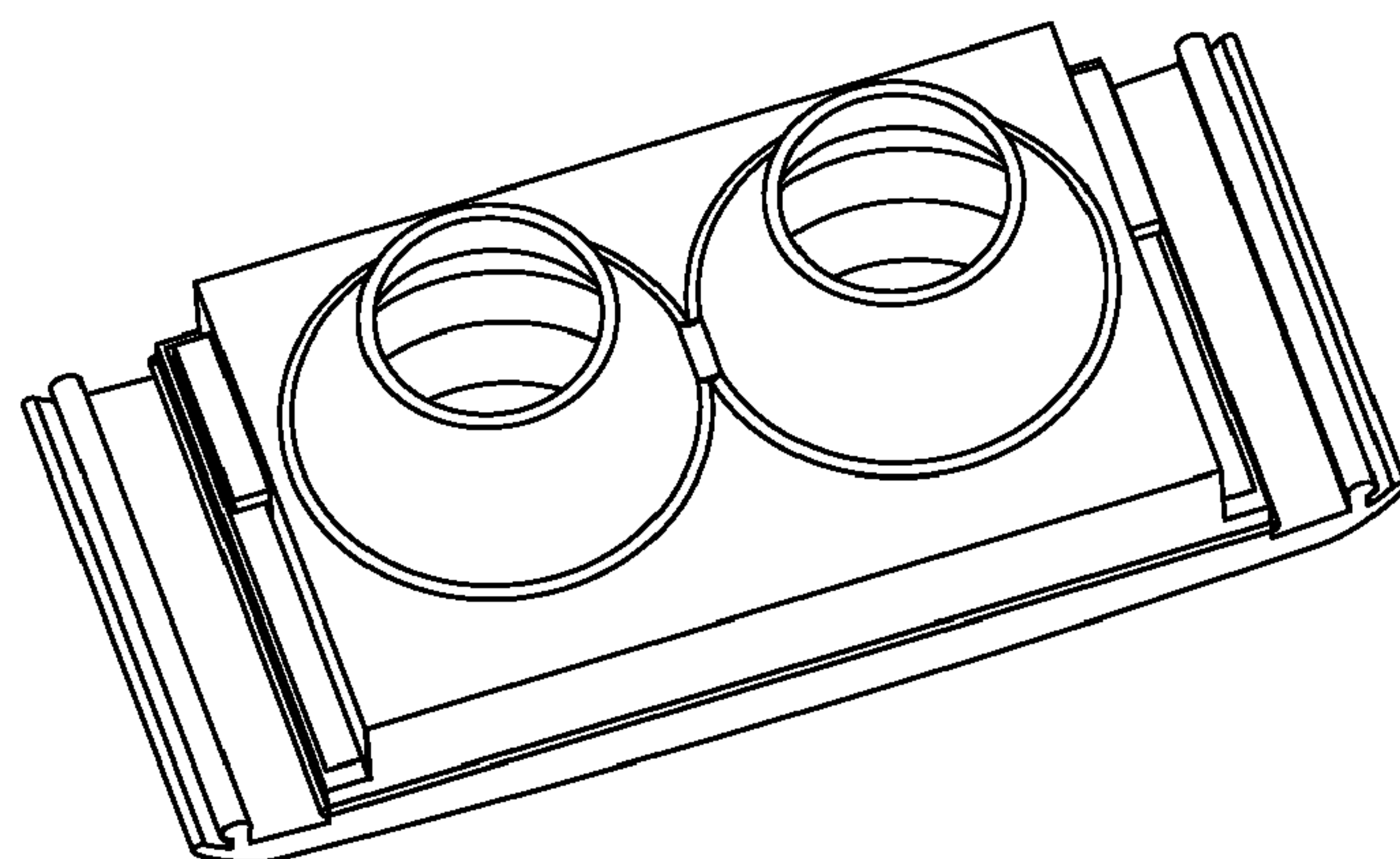


FIG. 2

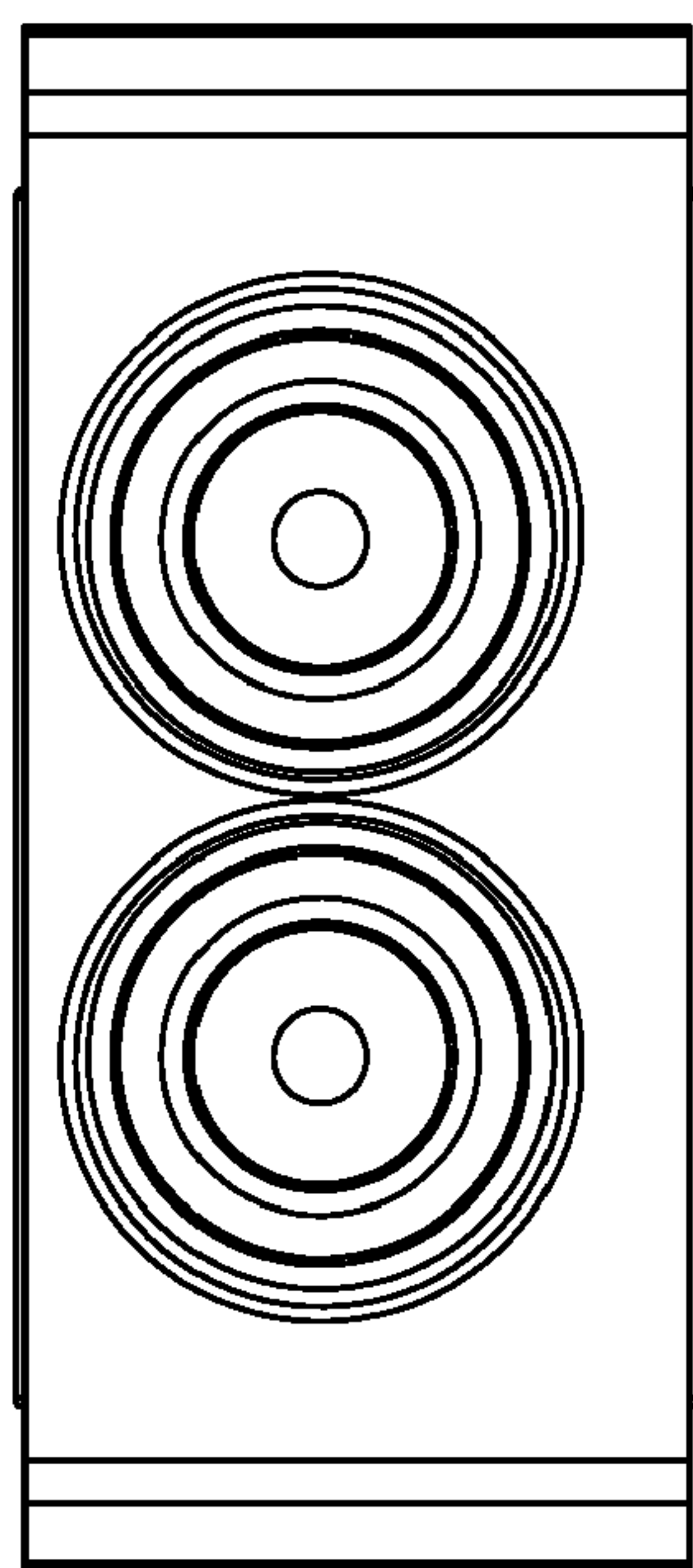


FIG. 3

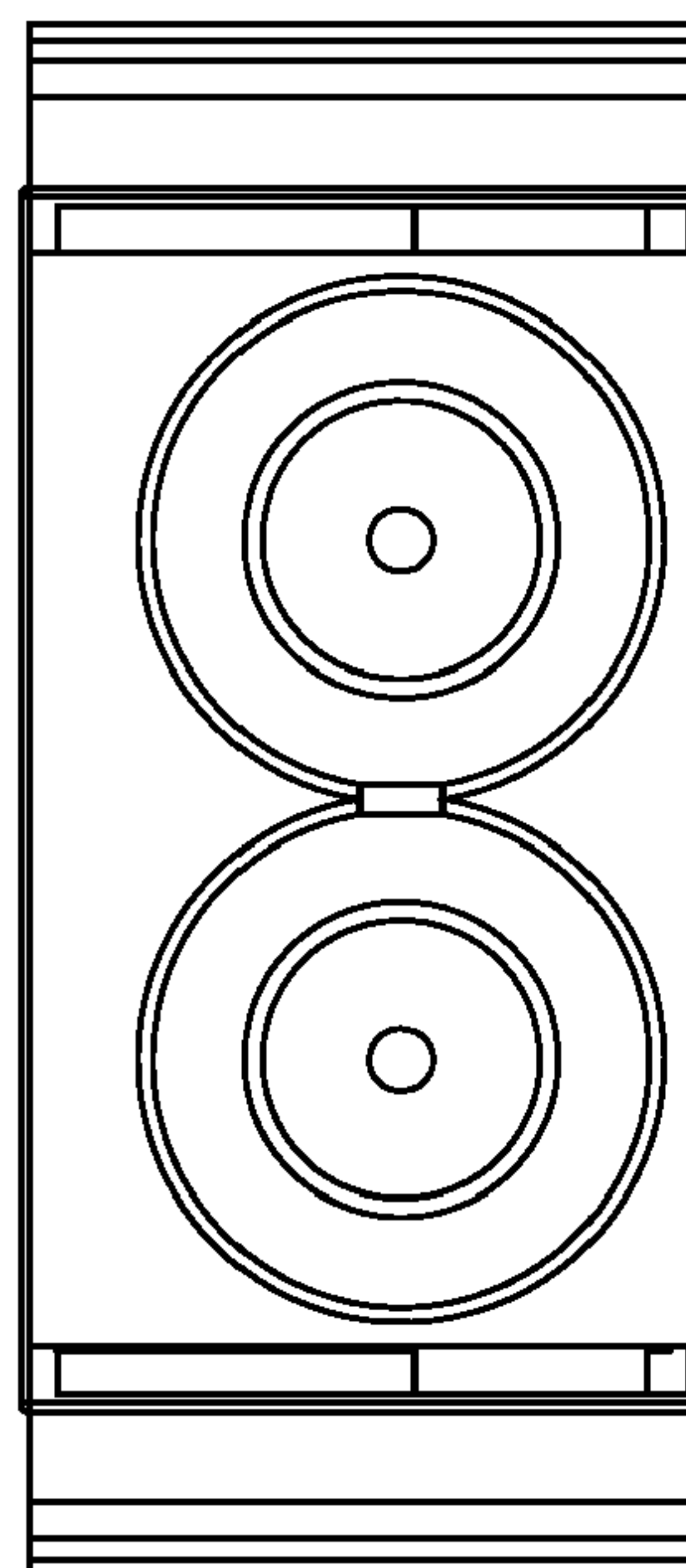


FIG. 4

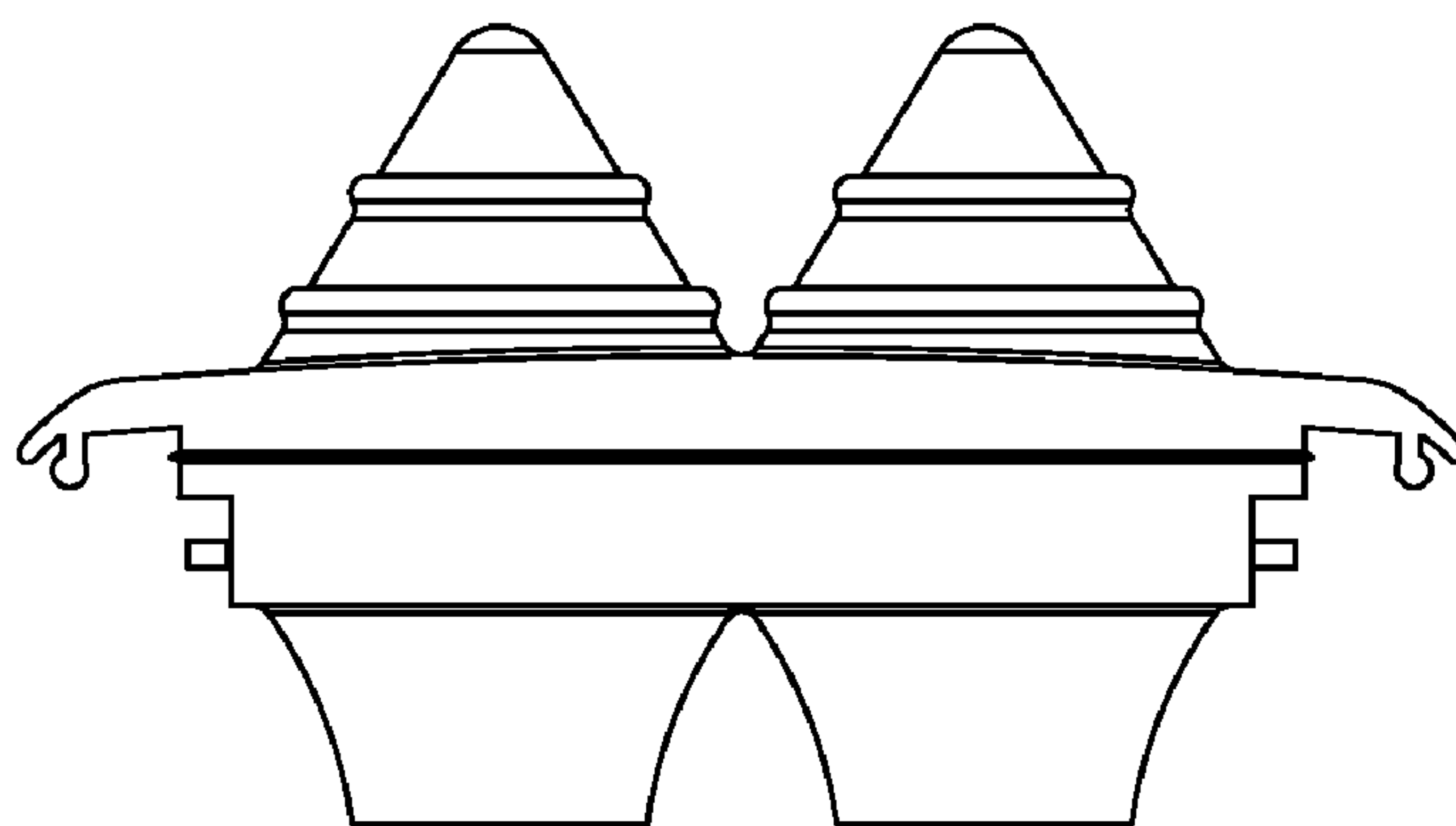


FIG. 5

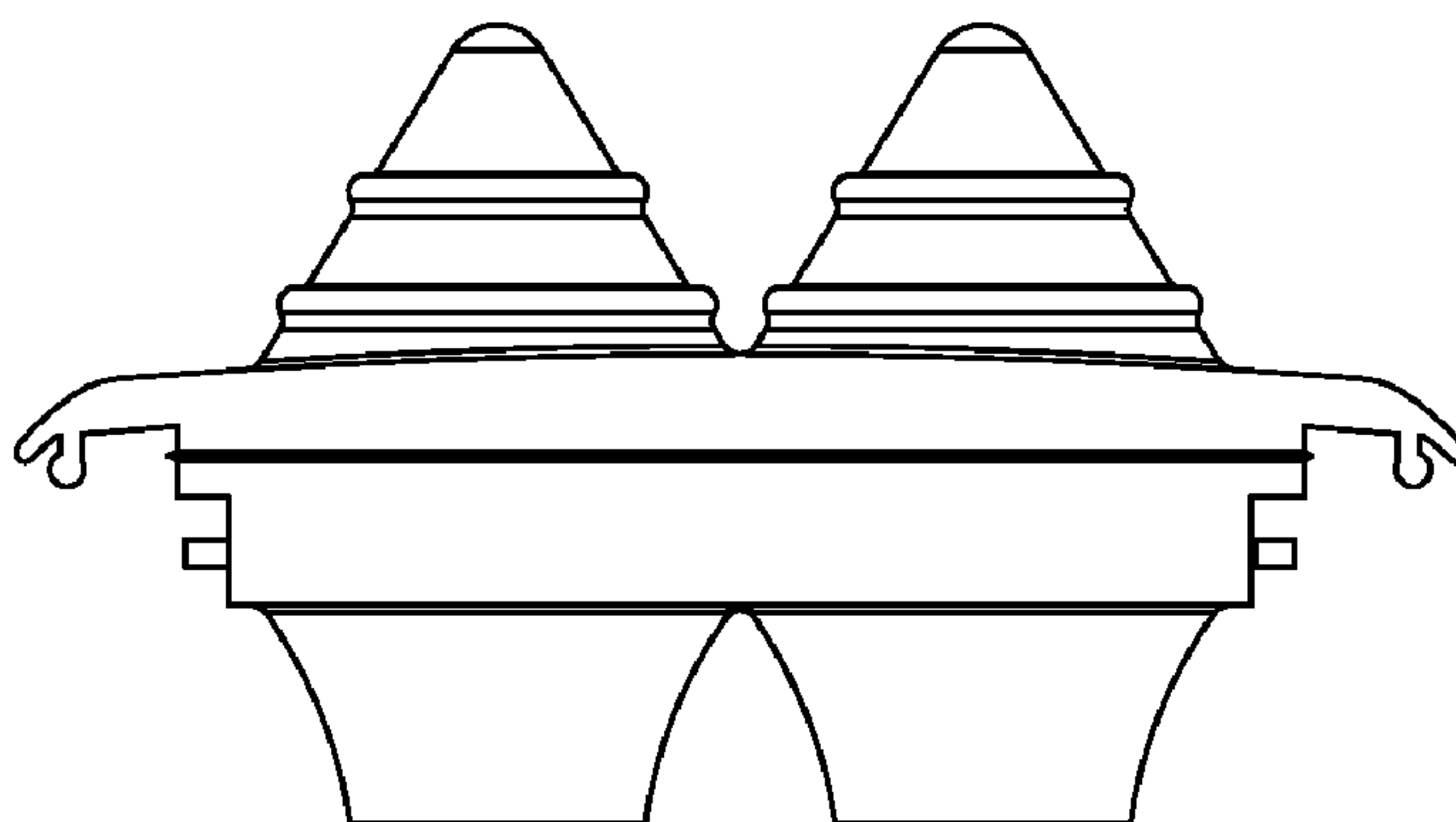


FIG. 6

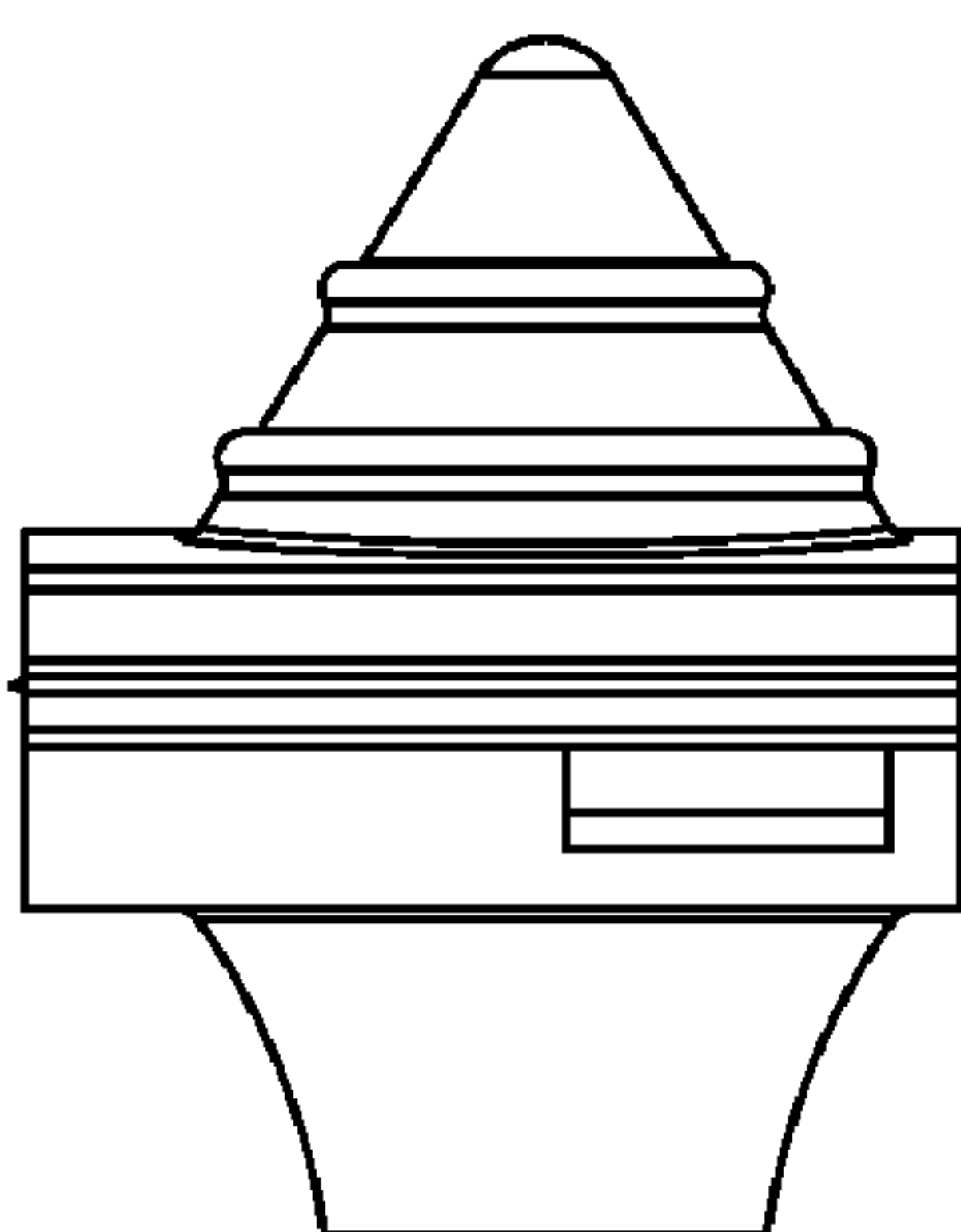


FIG. 7