



US00D633050S

(12) **United States Design Patent**  
**Truskett et al.**

(10) **Patent No.:** **US D633,050 S**  
(45) **Date of Patent:** **\*\* Feb. 22, 2011**

(54) **CRADLE FOR A TERMINATION MODULE**

(75) Inventors: **Kevin James Truskett**, Kincumber (AU); **Simon Ellis**, Killarney Vale (AU); **Wayne William Dennes**, Wyoming (AU); **Bryce Lindsay Nicholls**, Green Point (AU); **Brett Hoe Slater**, Hornsby (AU); **Malcolm Bruce Brear**, Empire Bay (AU)

(73) Assignee: **ADC GmbH**, Berlin (DE)

(\*\*) Term: **14 Years**

(21) Appl. No.: **29/336,904**

(22) Filed: **May 12, 2009**

(30) **Foreign Application Priority Data**

Nov. 12, 2008 (AU) ..... 15329/2008

(51) **LOC (9) Cl.** ..... **13-03**

(52) **U.S. Cl.** ..... **D13/154**

(58) **Field of Classification Search** ..... D13/133, D13/146, 147, 154, 184; 439/607.01, 607.04, 439/607.05, 607.17, 607.25, 607.34, 607.41, 439/607.53, 844, 851, 852, 865, 866, 867, 439/872, 877, 884

See application file for complete search history.

(56) **References Cited**

**U.S. PATENT DOCUMENTS**

3,931,946 A 1/1976 Soltysik

7,114,987 B2 \* 10/2006 Nad ..... 439/470  
7,147,492 B2 \* 12/2006 Mueller et al. .... 439/95  
D616,730 S \* 6/2010 Dennes ..... D8/356  
2007/0020990 A1 \* 1/2007 Nad ..... 439/470  
2009/0163046 A1 \* 6/2009 Stockel ..... 439/61  
2010/0221948 A1 \* 9/2010 Truskett et al. .... 439/491

**FOREIGN PATENT DOCUMENTS**

TW D119064 5/2006

\* cited by examiner

*Primary Examiner*—Daniel D Bui

(74) *Attorney, Agent, or Firm*—Merchant & Gould P.C.

(57) **CLAIM**

The ornamental design for a cradle for a termination module, as shown and described.

**DESCRIPTION**

FIG. 1 is a top view of a cradle for a termination module showing our new design;

FIG. 2 is a bottom view thereof;

FIG. 3 is a back side view;

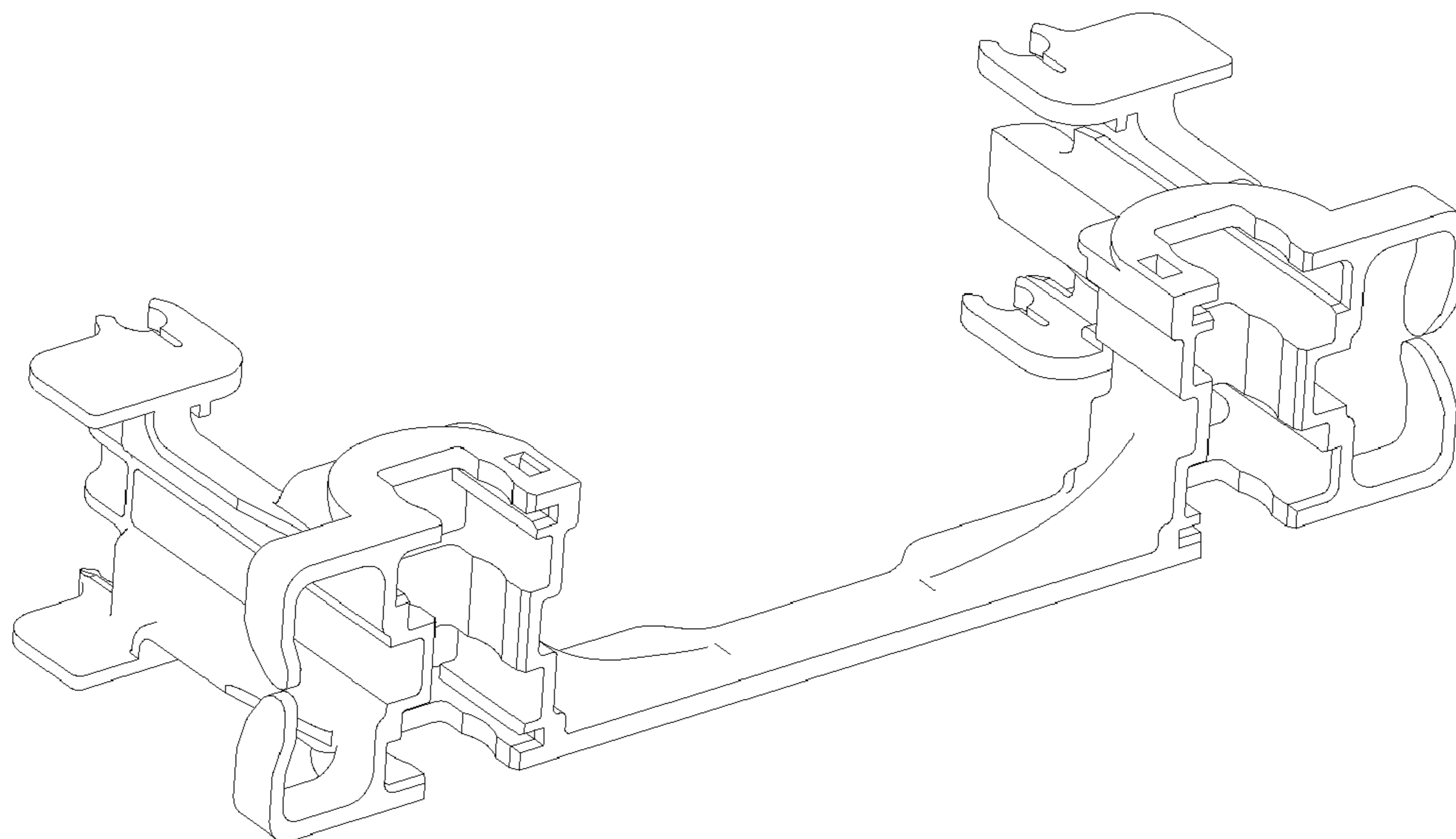
FIG. 4 is a front view;

FIG. 5 is a side view;

FIG. 6 is a another side view; and,

FIG. 7 is a perspective view thereof.

**1 Claim, 2 Drawing Sheets**



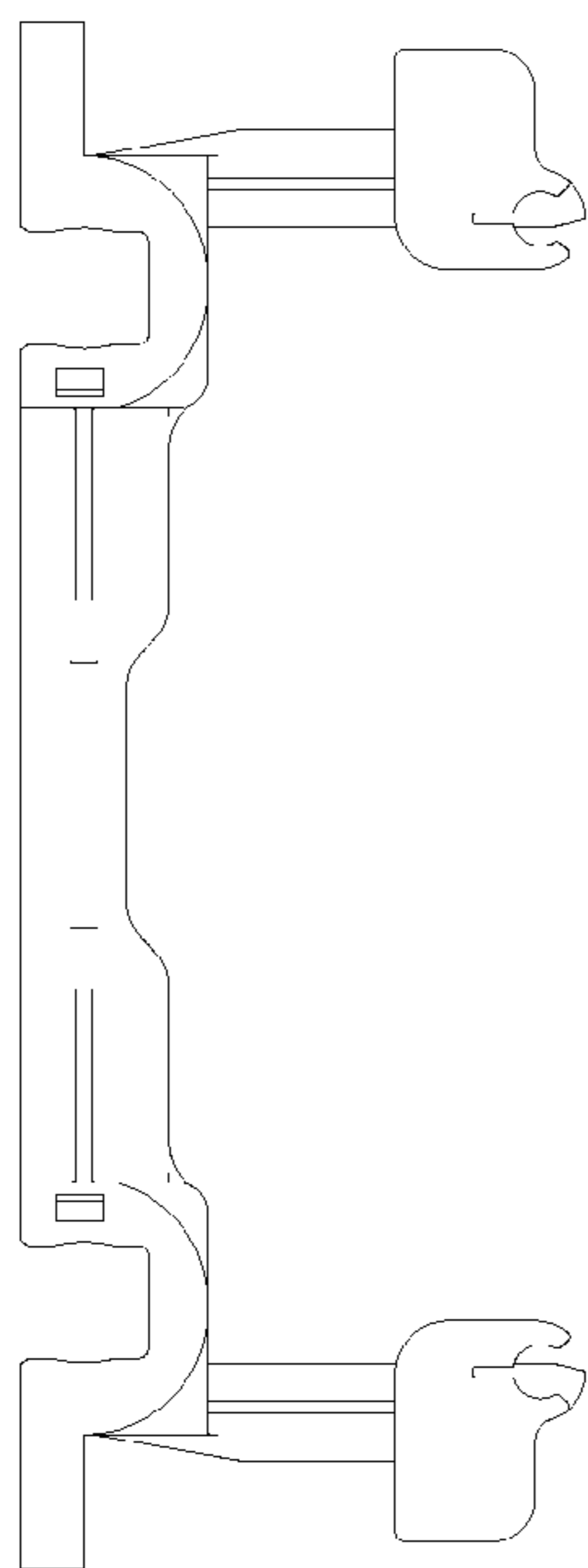


Figure 1

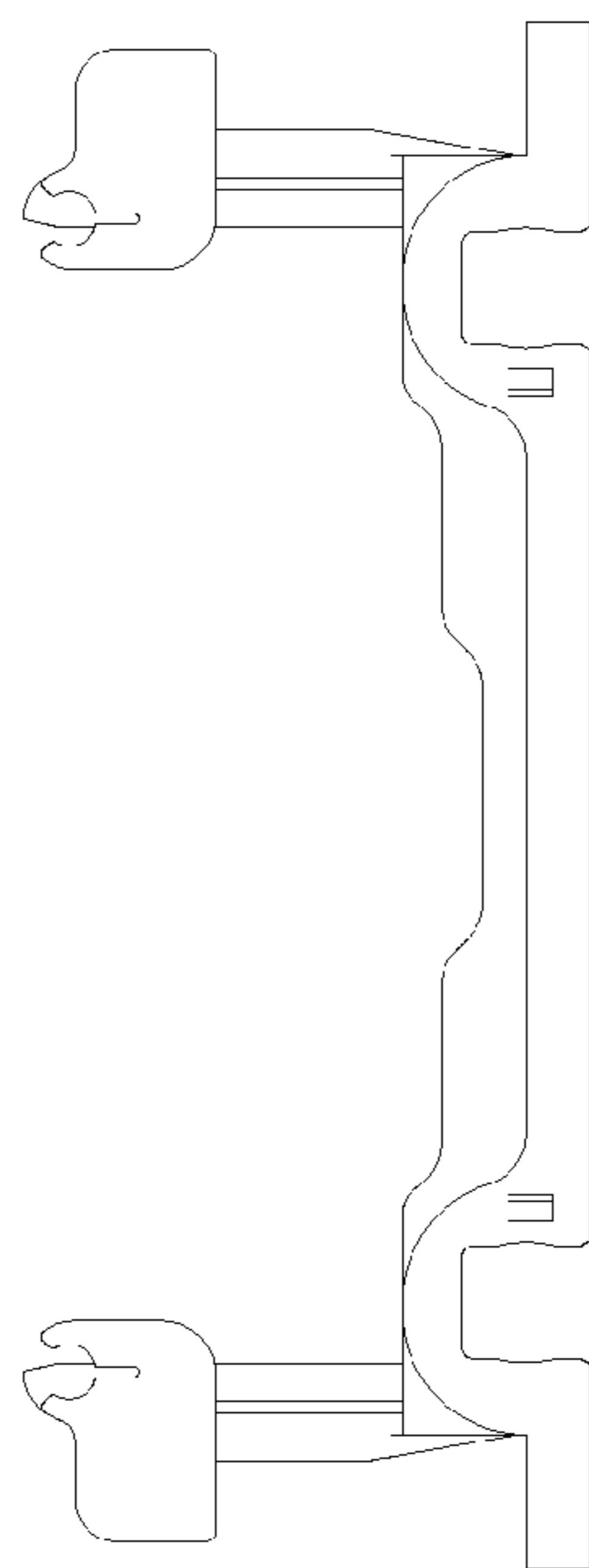


Figure 2

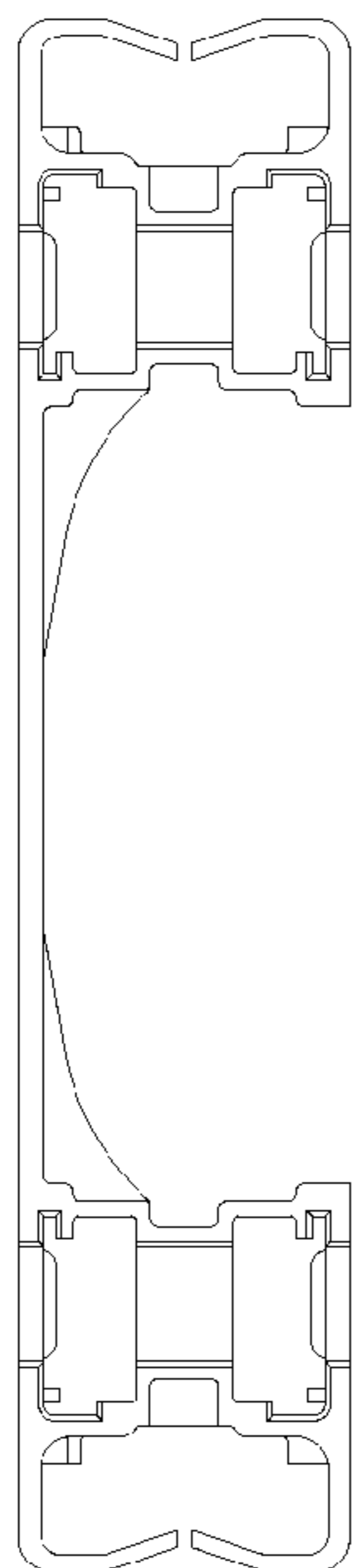


Figure 3

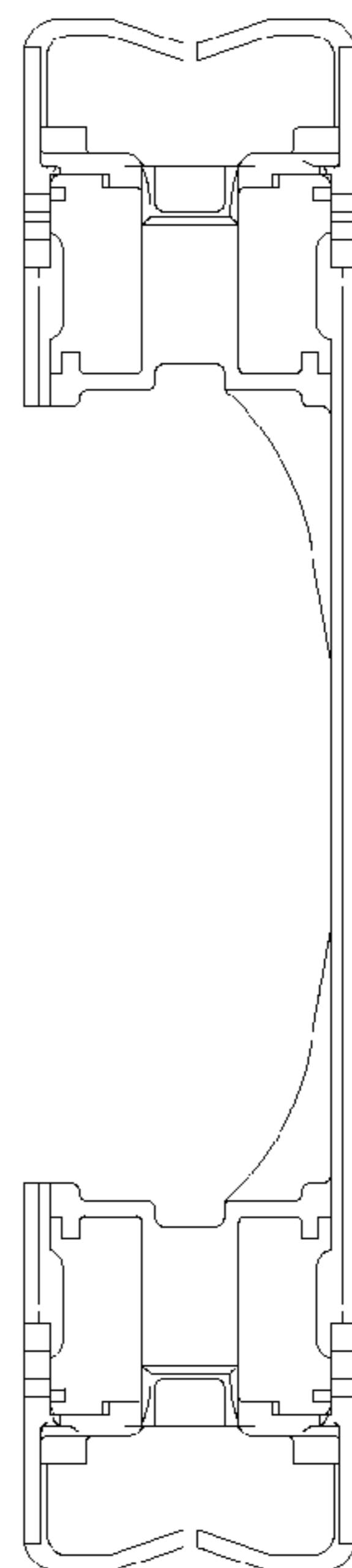


Figure 4

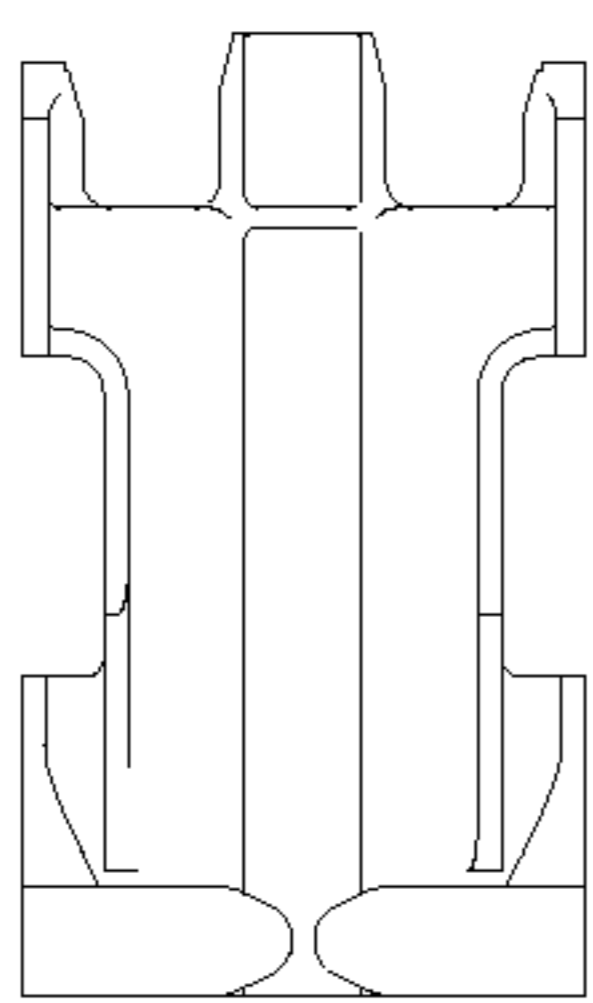


Figure 5

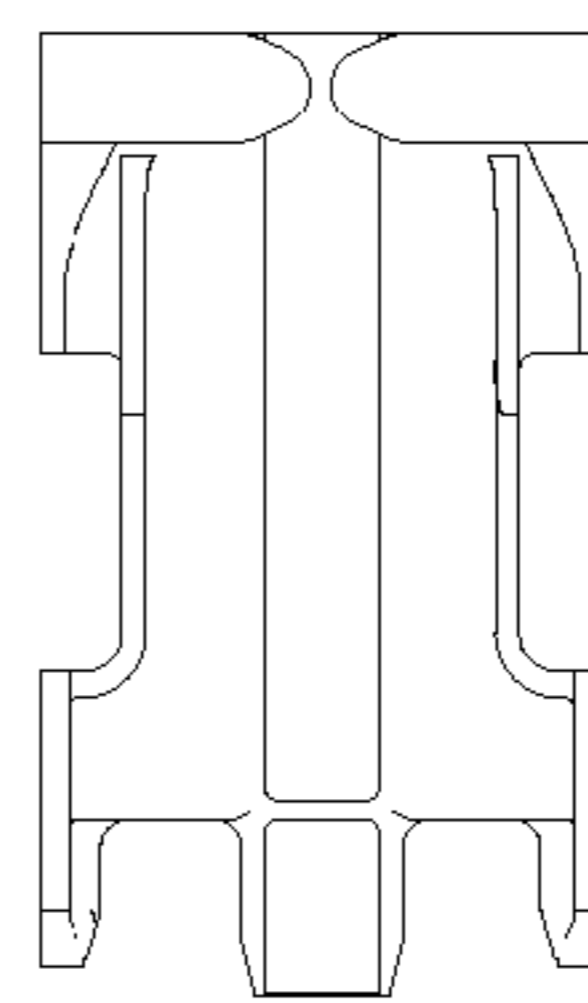


Figure 6

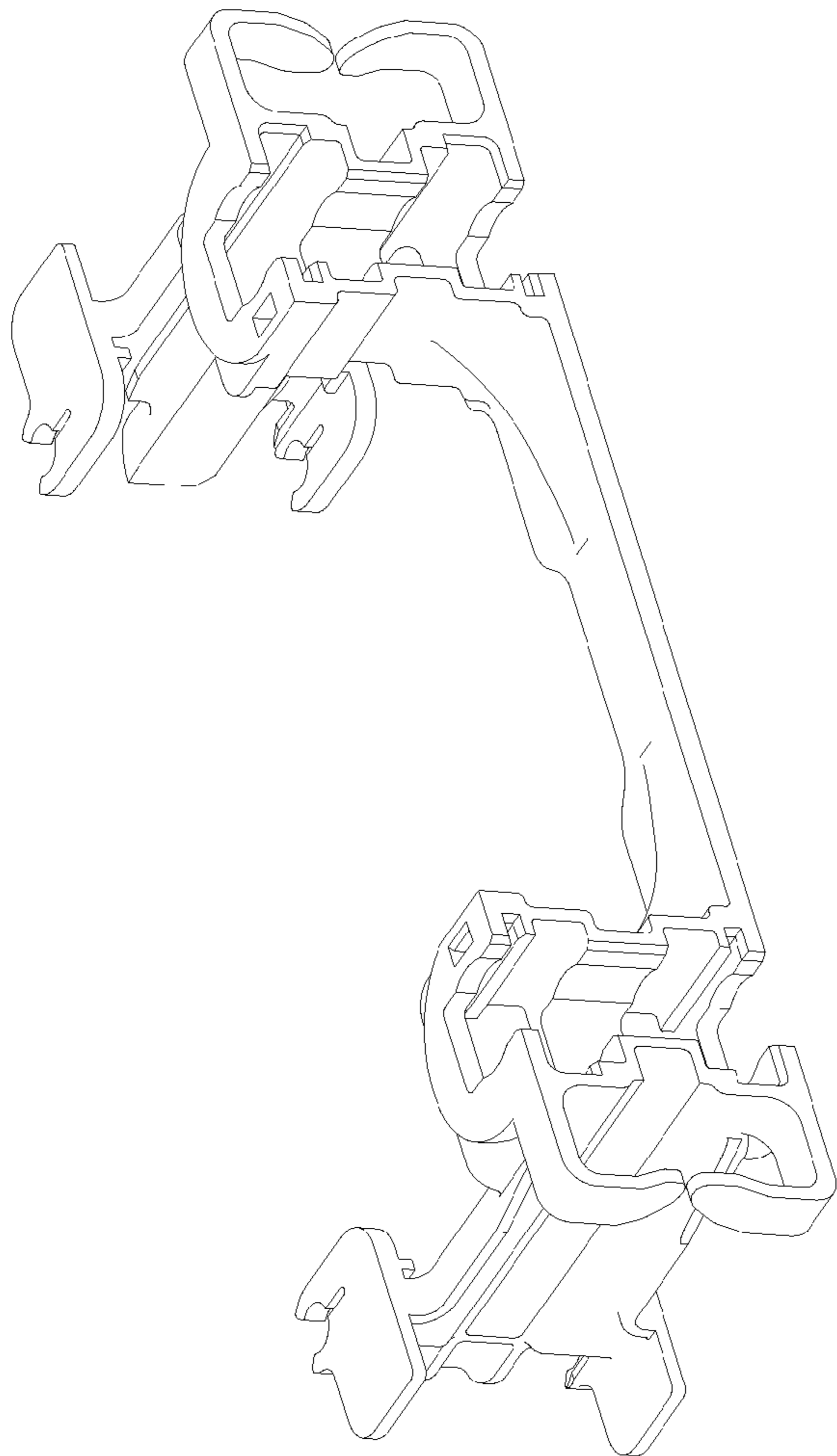


Figure 7