

US00D633048S

(12) **United States Design Patent**
Arai et al.

(10) **Patent No.:** **US D633,048 S**
(45) **Date of Patent:** **** Feb. 22, 2011**

(54) **ELECTRICAL CONNECTOR**

(75) Inventors: **Junichi Arai**, Isesaki (JP); **Takao Asano**, Isesaki (JP)

(73) Assignee: **Hosiden Corporation**, Yao-shi (JP)

(**) Term: **14 Years**

(21) Appl. No.: **29/369,718**

(22) Filed: **Sep. 13, 2010**

Related U.S. Application Data

(62) Division of application No. 29/354,224, filed on Jan. 21, 2010, now Pat. No. Des. 628,161, which is a division of application No. 29/335,077, filed on Apr. 8, 2009, now Pat. No. Des. 611,424.

(30) **Foreign Application Priority Data**

Oct. 14, 2008	(JP)	2008-026350
Oct. 14, 2008	(JP)	2008-026351
Oct. 14, 2008	(JP)	2008-026352
Oct. 14, 2008	(JP)	2008-026353

(51) **LOC (9) Cl.** **13-03**

(52) **U.S. Cl.** **D13/147**

(58) **Field of Classification Search** D13/147, D13/154, 184; 439/79, 108, 378, 607.1, 439/607.2, 607.4, 607.5, 607.17, 607.25, 439/607.34, 607.41, 607.53, 660, 680
See application file for complete search history.

(56) **References Cited**

U.S. PATENT DOCUMENTS

D452,847 S	1/2002	Shimojyo
D478,320 S	8/2003	Suzuki et al.
D482,002 S	11/2003	Suzuki et al.
D482,331 S	11/2003	Suzuki et al.
D490,234 S	5/2004	Masaki
D509,190 S	9/2005	Tsai
D509,475 S	9/2005	Tsai
D510,069 S	9/2005	Tsai

D510,909 S	10/2005	Tsai
D517,994 S	3/2006	Zhang et al.
D522,970 S	6/2006	Toyota et al.
D523,400 S	6/2006	Shang-Yen et al.
D526,619 S	8/2006	Tsai
D535,624 S	1/2007	Toyota et al.
D539,744 S	4/2007	Hu et al.
D548,191 S	8/2007	Arai et al.
D552,037 S	10/2007	Imai
D559,189 S	1/2008	Arai et al.
D559,190 S	1/2008	Arai et al.
D559,191 S	1/2008	Arai et al.

(Continued)

FOREIGN PATENT DOCUMENTS

JP D1356994 3/2009

Primary Examiner—Daniel D Bui

(74) *Attorney, Agent, or Firm*—Rankin, Hill & Clark LLP

(57) **CLAIM**

The ornamental design for an electrical connector, as shown and described.

DESCRIPTION

FIG. 1 is a front, left side, and top perspective view of an electrical connector in accordance with our new design;

FIG. 2 is a rear, right side, and bottom perspective view thereof;

FIG. 3 is a front, right side, and top perspective view thereof;

FIG. 4 is a front elevational view thereof;

FIG. 5 is a rear elevational view thereof;

FIG. 6 is a left side view thereof;

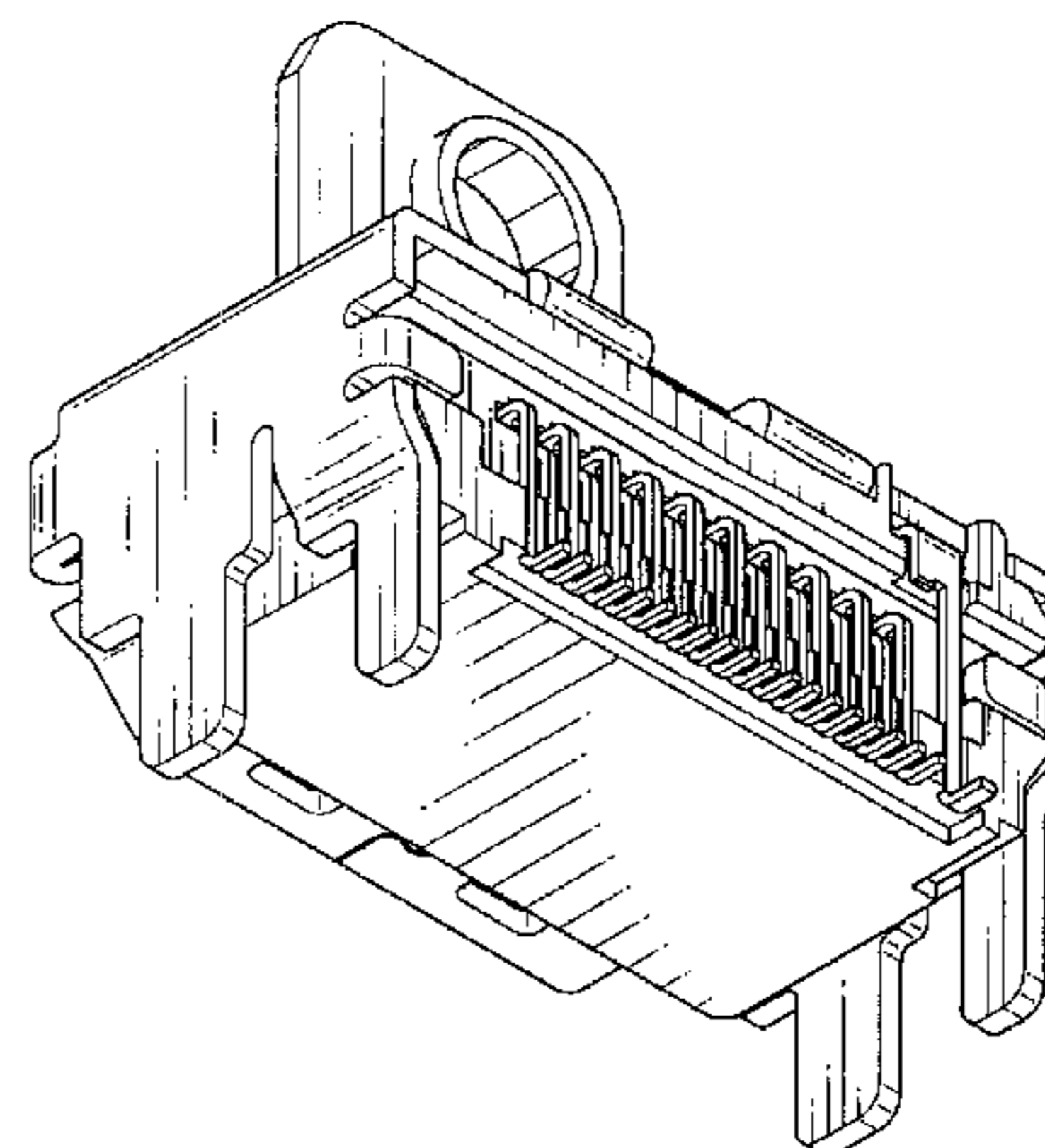
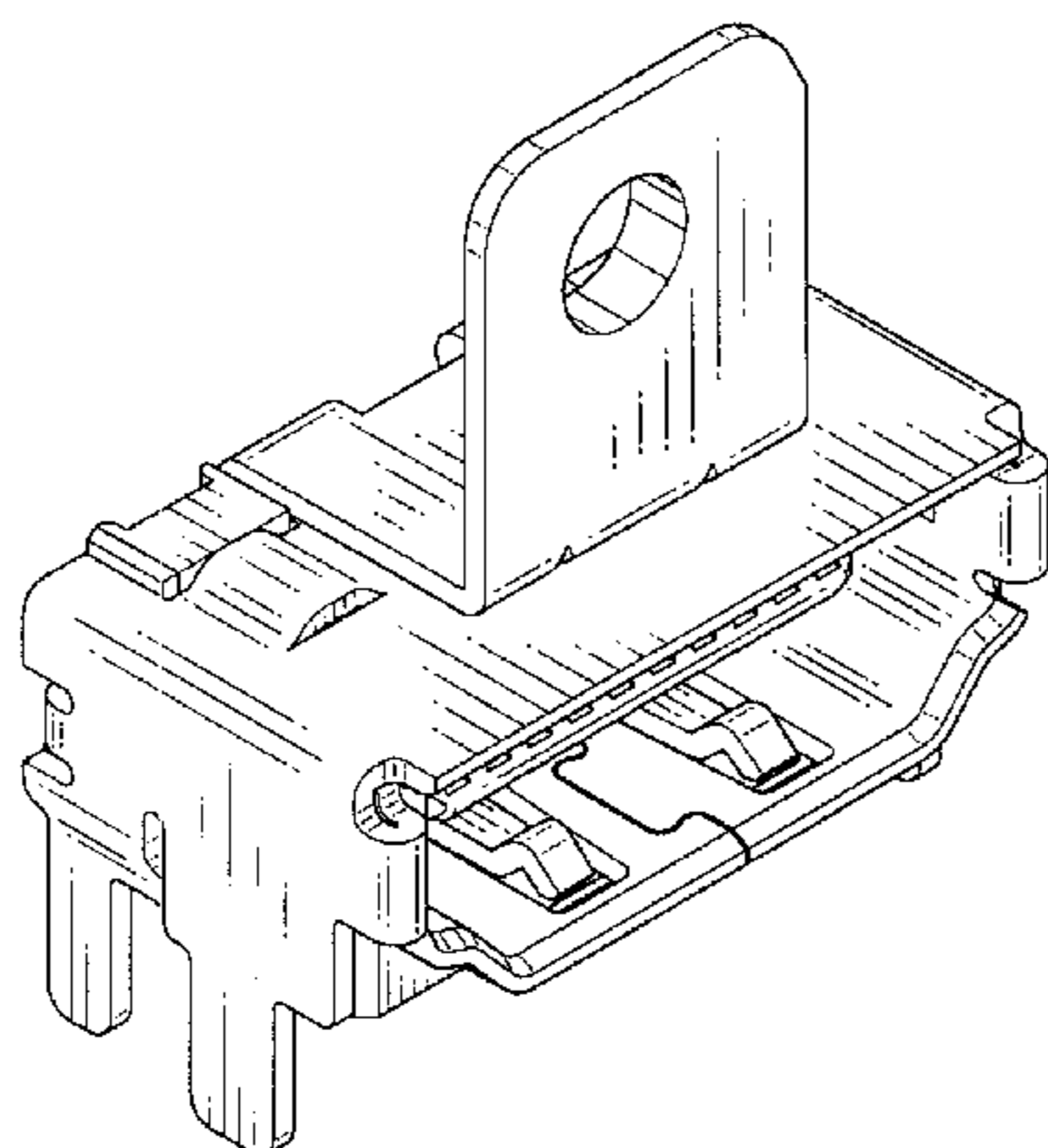
FIG. 7 is a right side view thereof;

FIG. 8 is a top plan view thereof;

FIG. 9 is a bottom plan view thereof; and,

FIG. 10 is a sectional view taken along line 10—10 of FIG. 4 thereof.

1 Claim, 4 Drawing Sheets



US D633,048 S

Page 2

U.S. PATENT DOCUMENTS

D559,192 S 1/2008 Arai et al.
D591,685 S 5/2009 Hung et al.
D602,872 S 10/2009 Arai et al.

D604,700 S 11/2009 Asano
D607,408 S 1/2010 Masumoto et al.
D611,424 S 3/2010 Arai et al.
2005/0227543 A1 10/2005 Masumoto et al.

FIG. 1

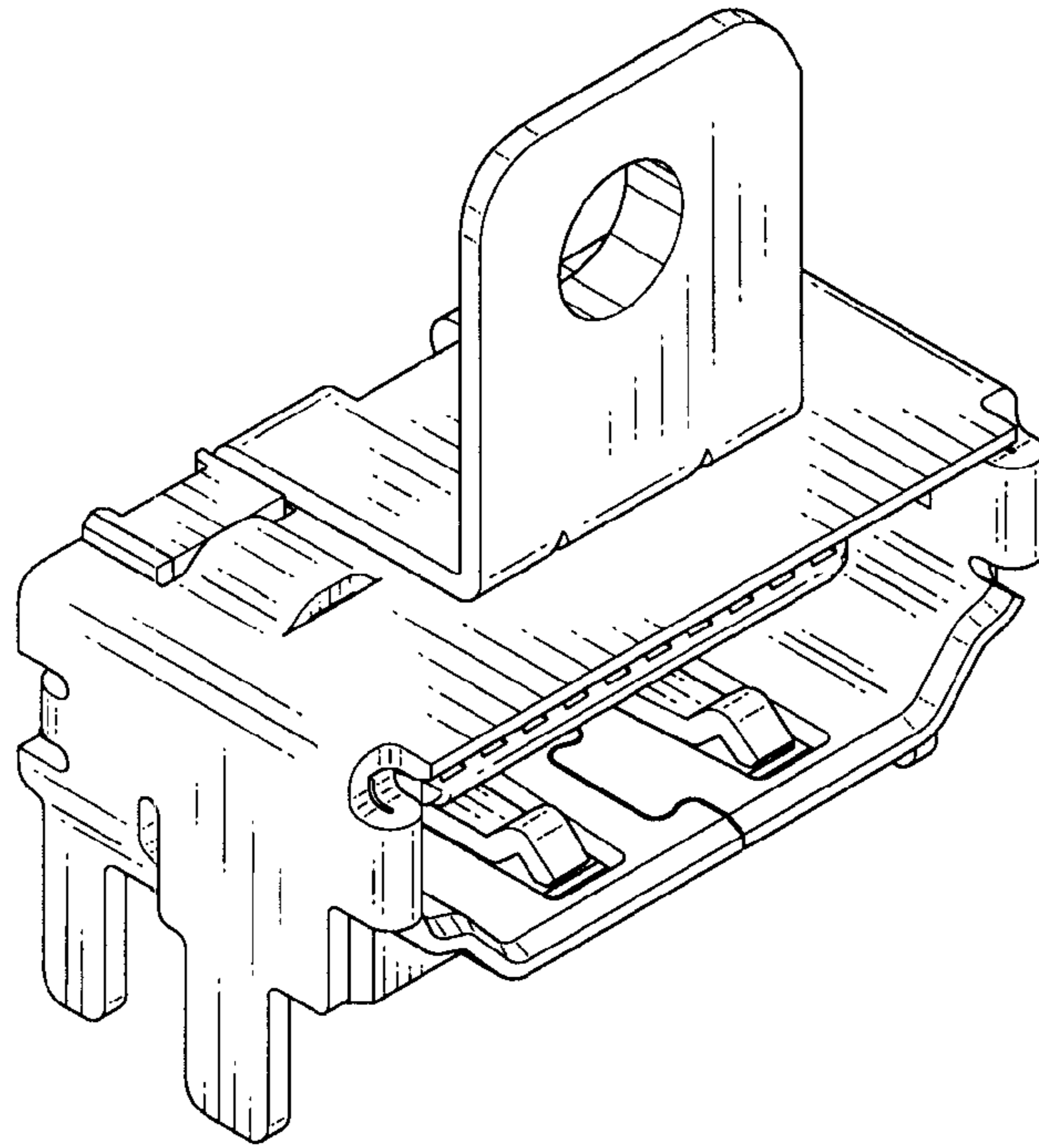


FIG. 2

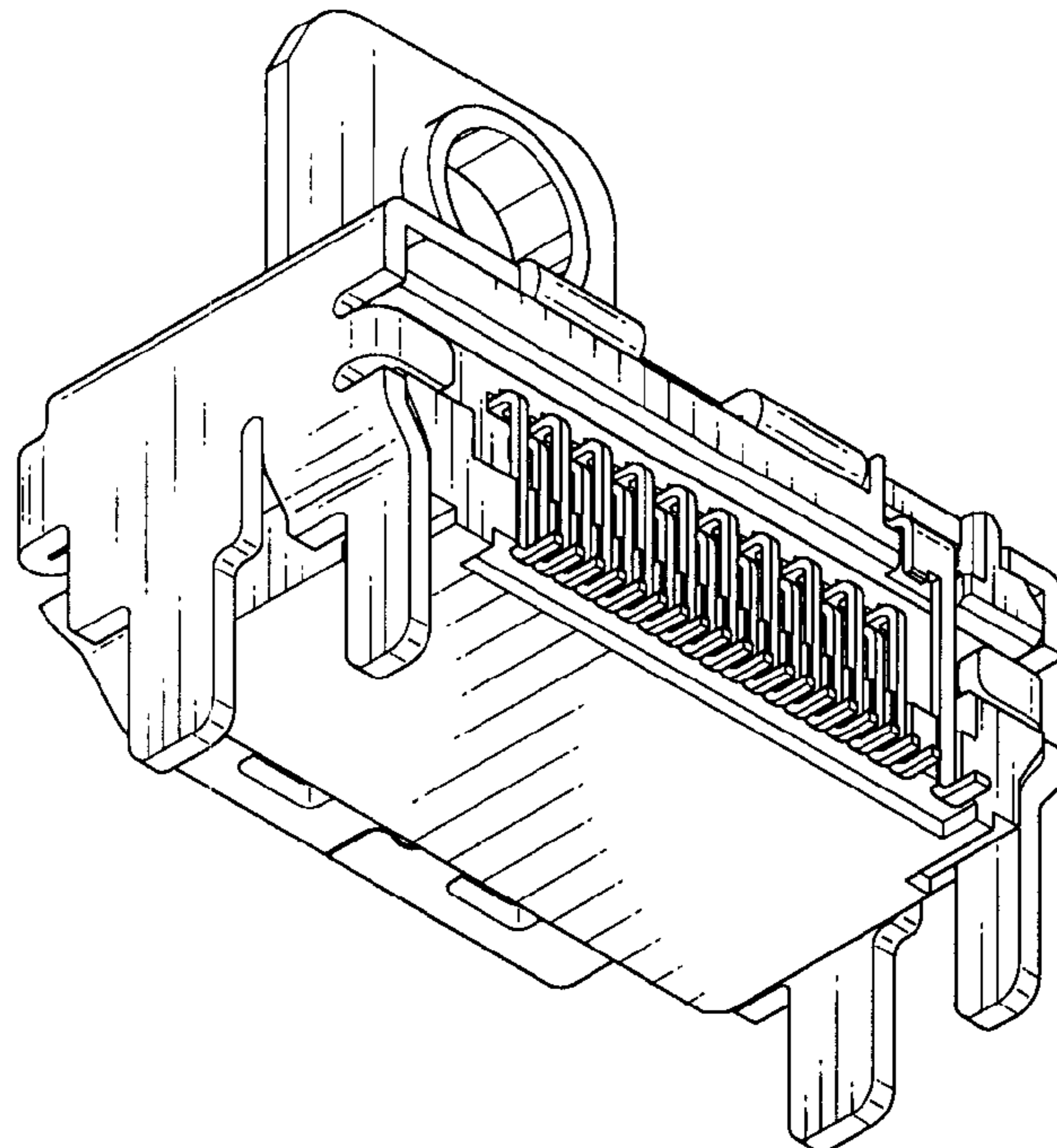


FIG. 3

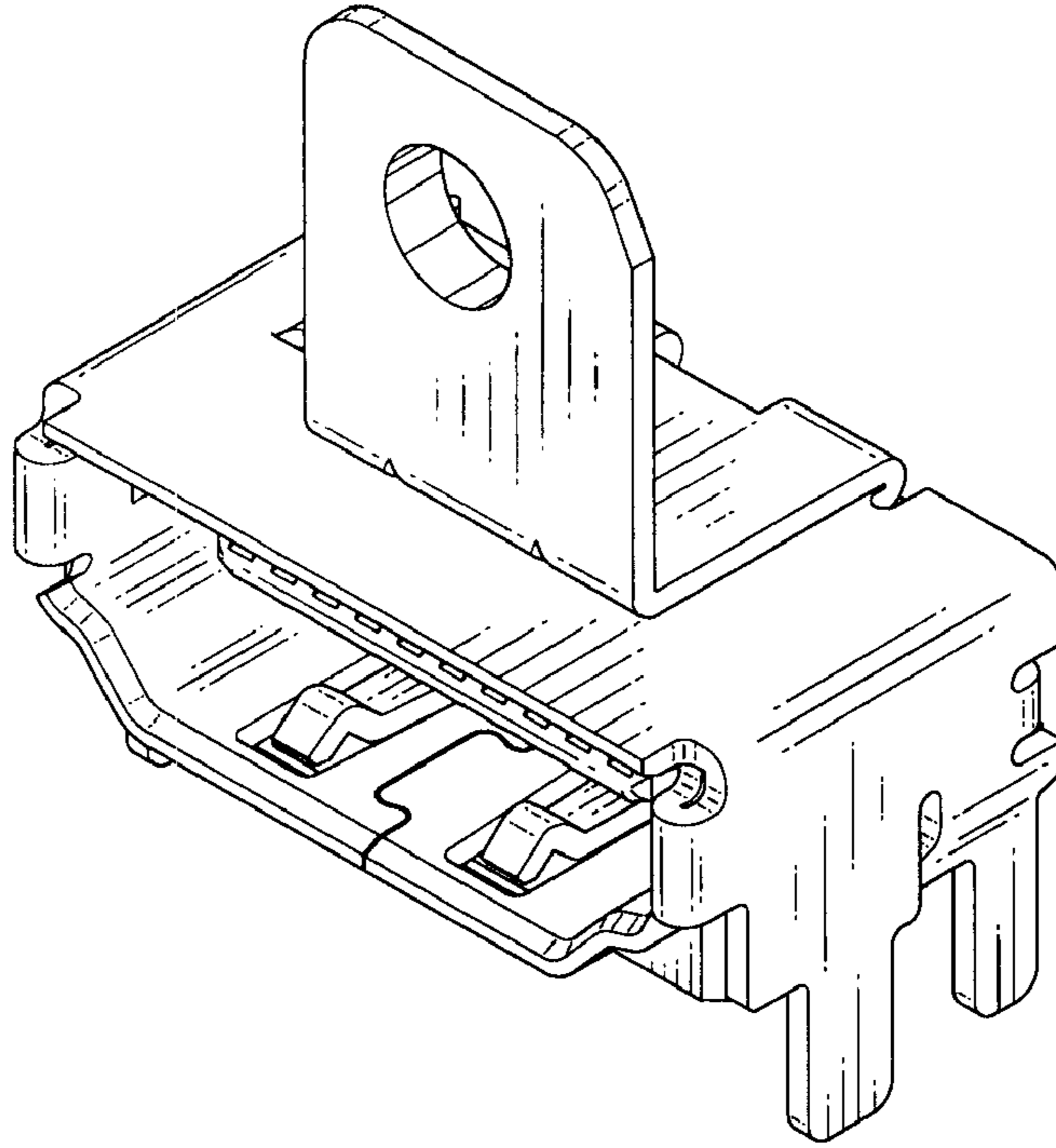


FIG. 4

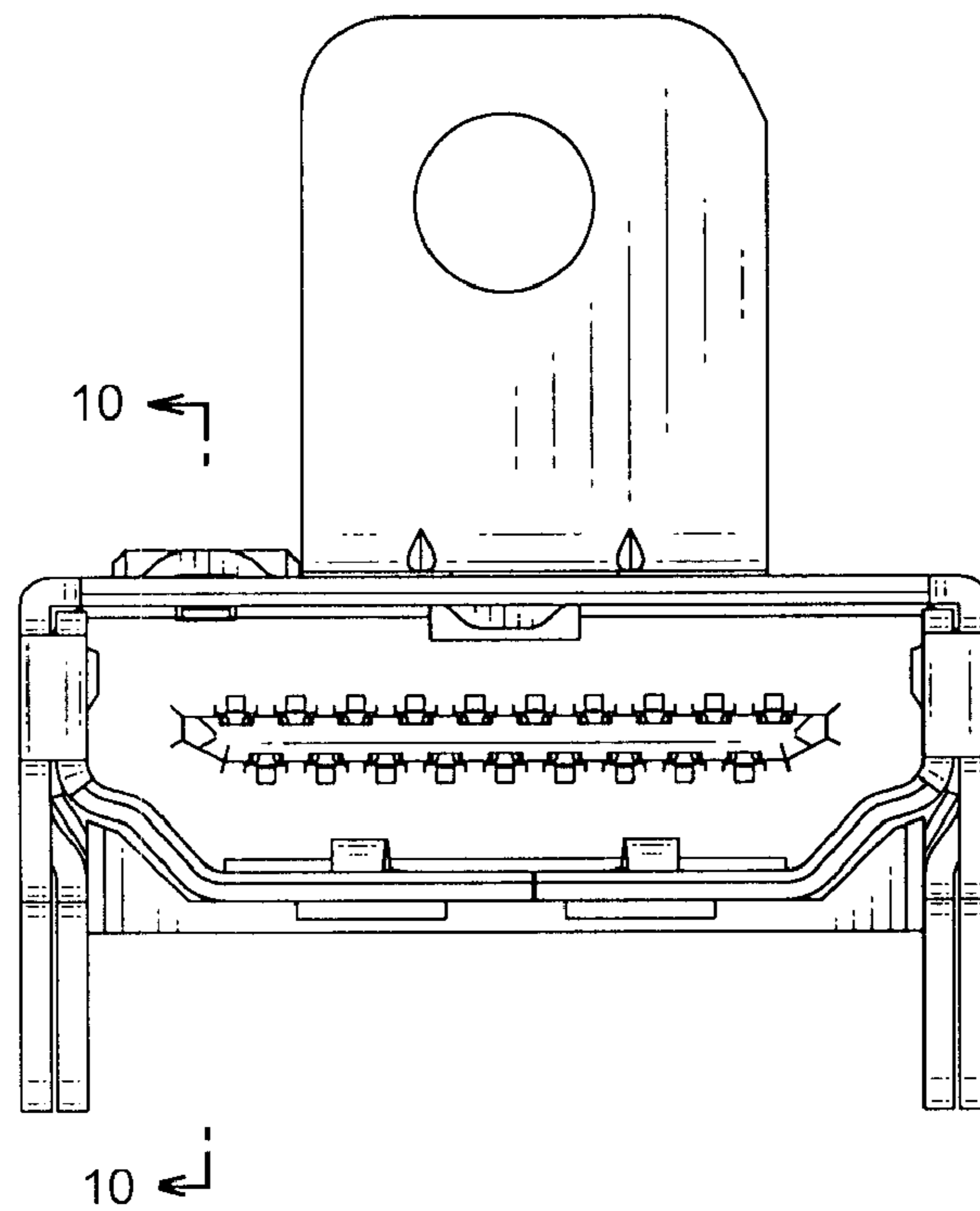


FIG. 5

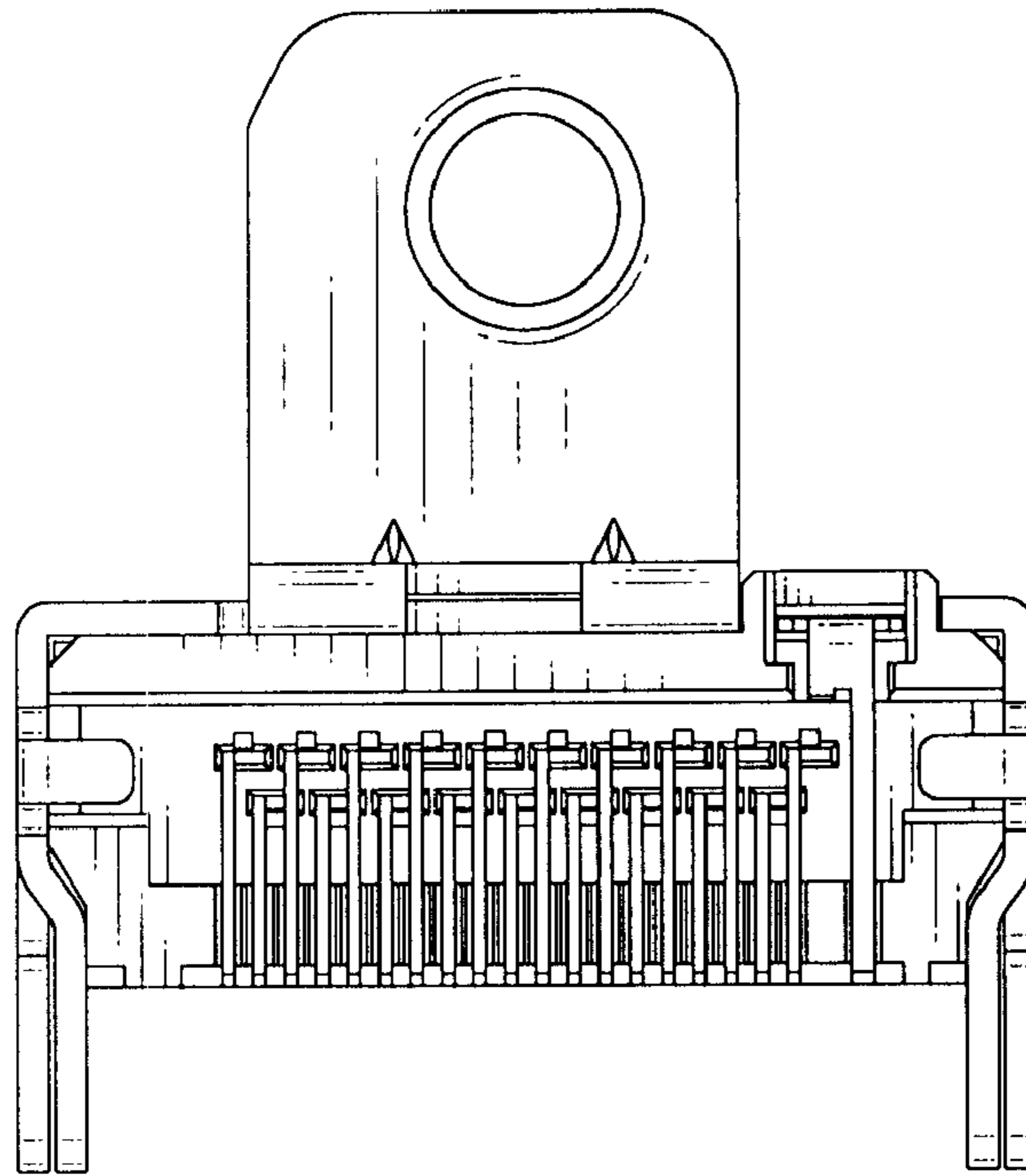


FIG. 6

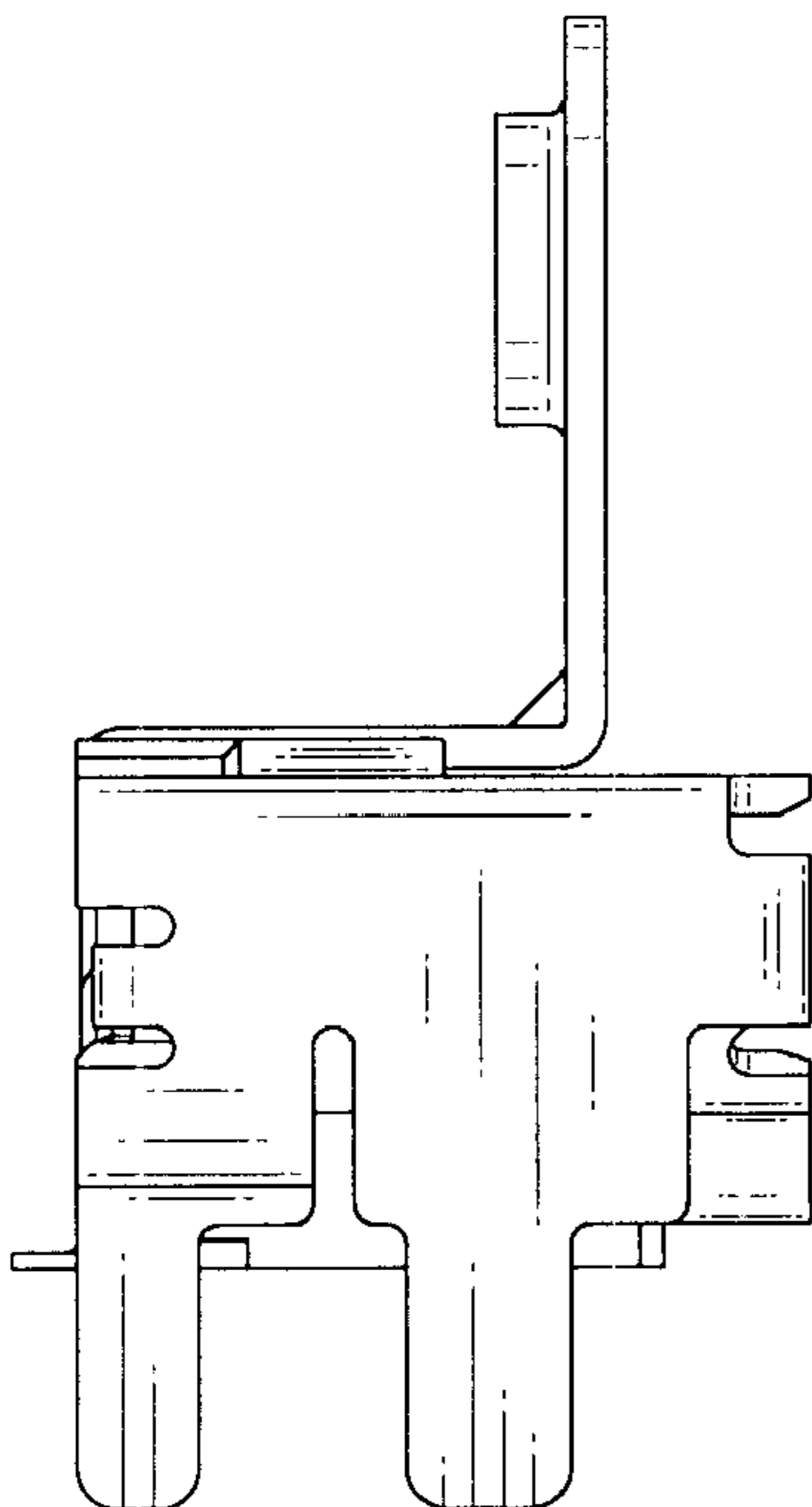


FIG. 7

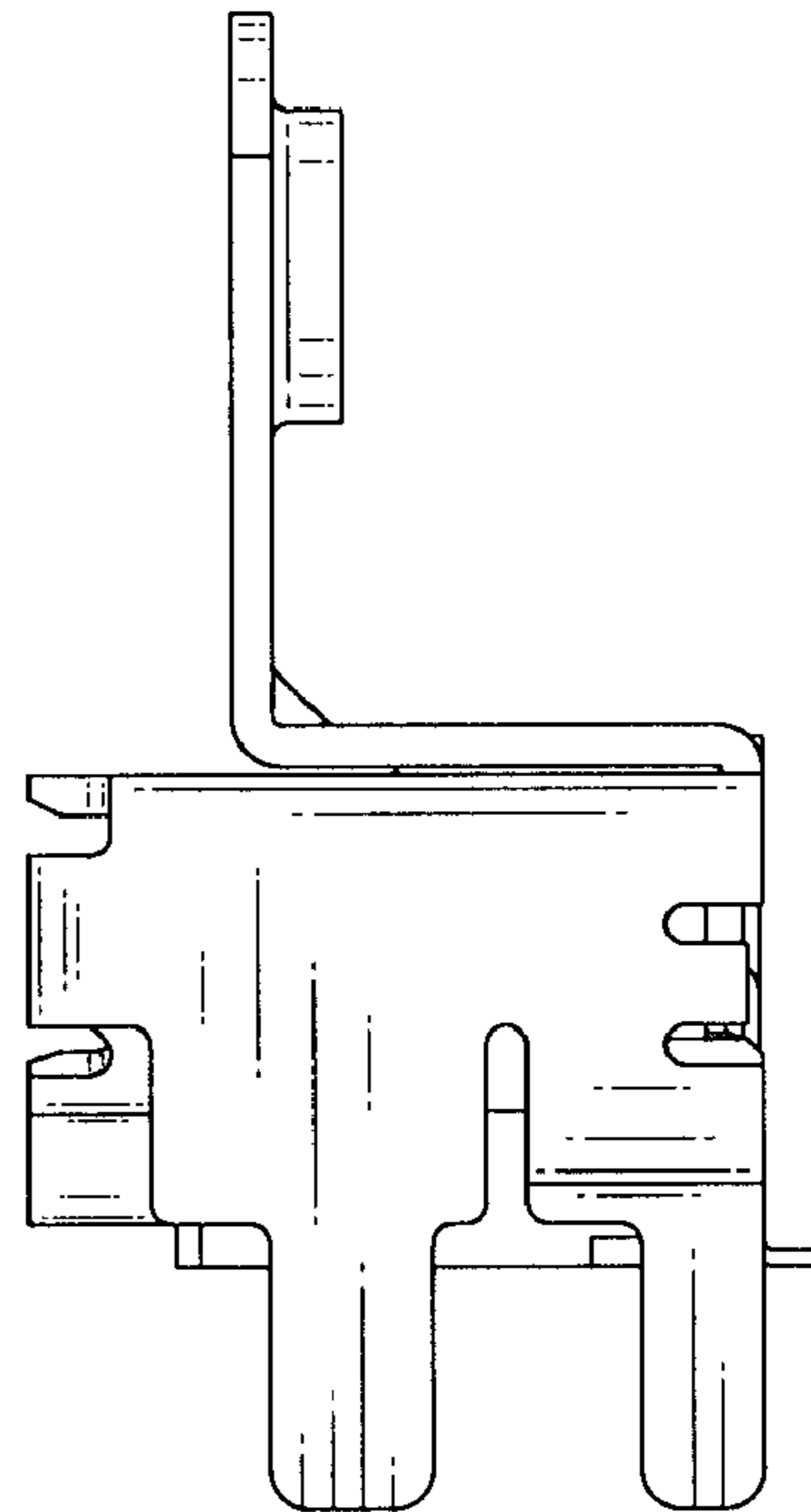


FIG. 8

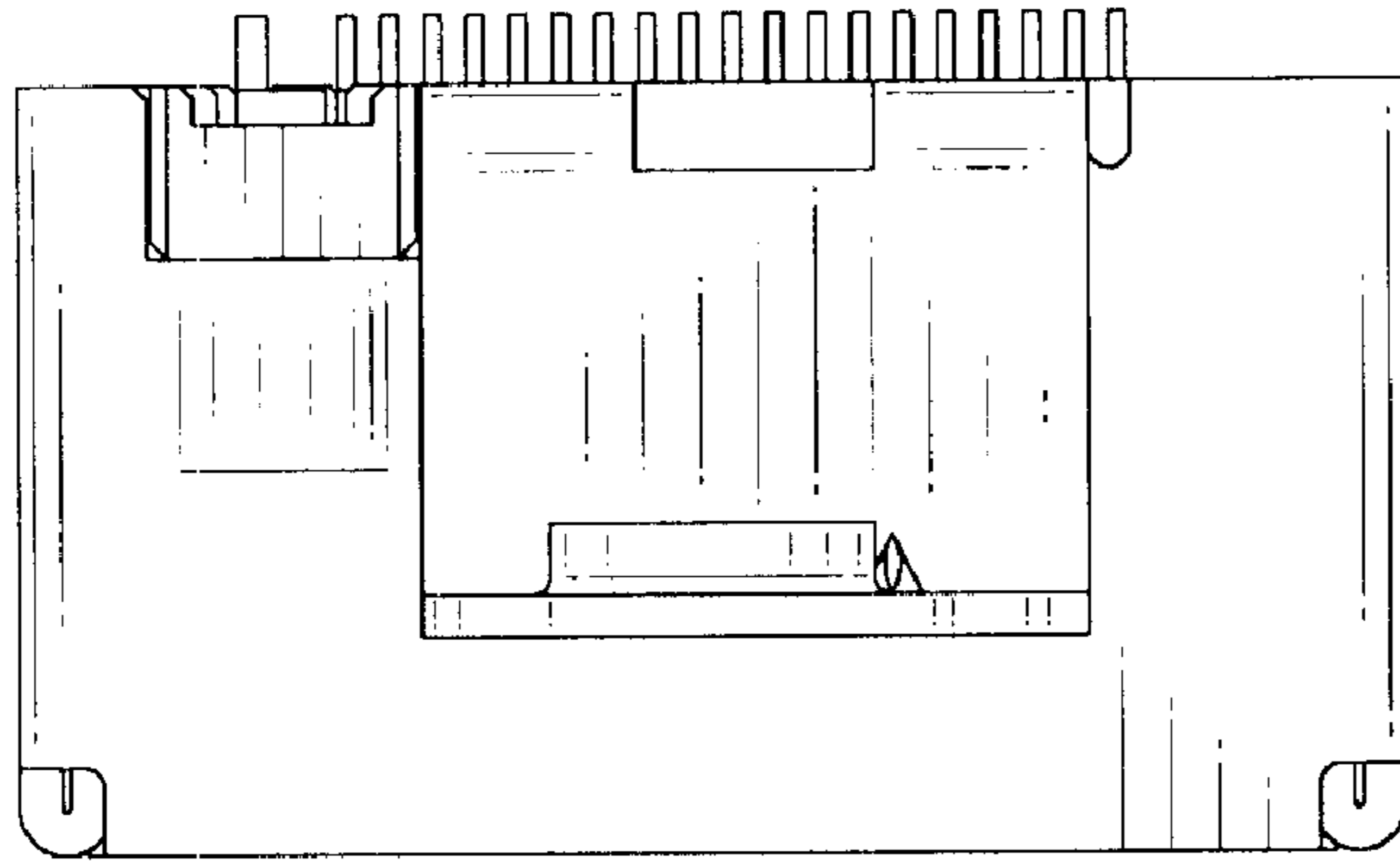


FIG. 9

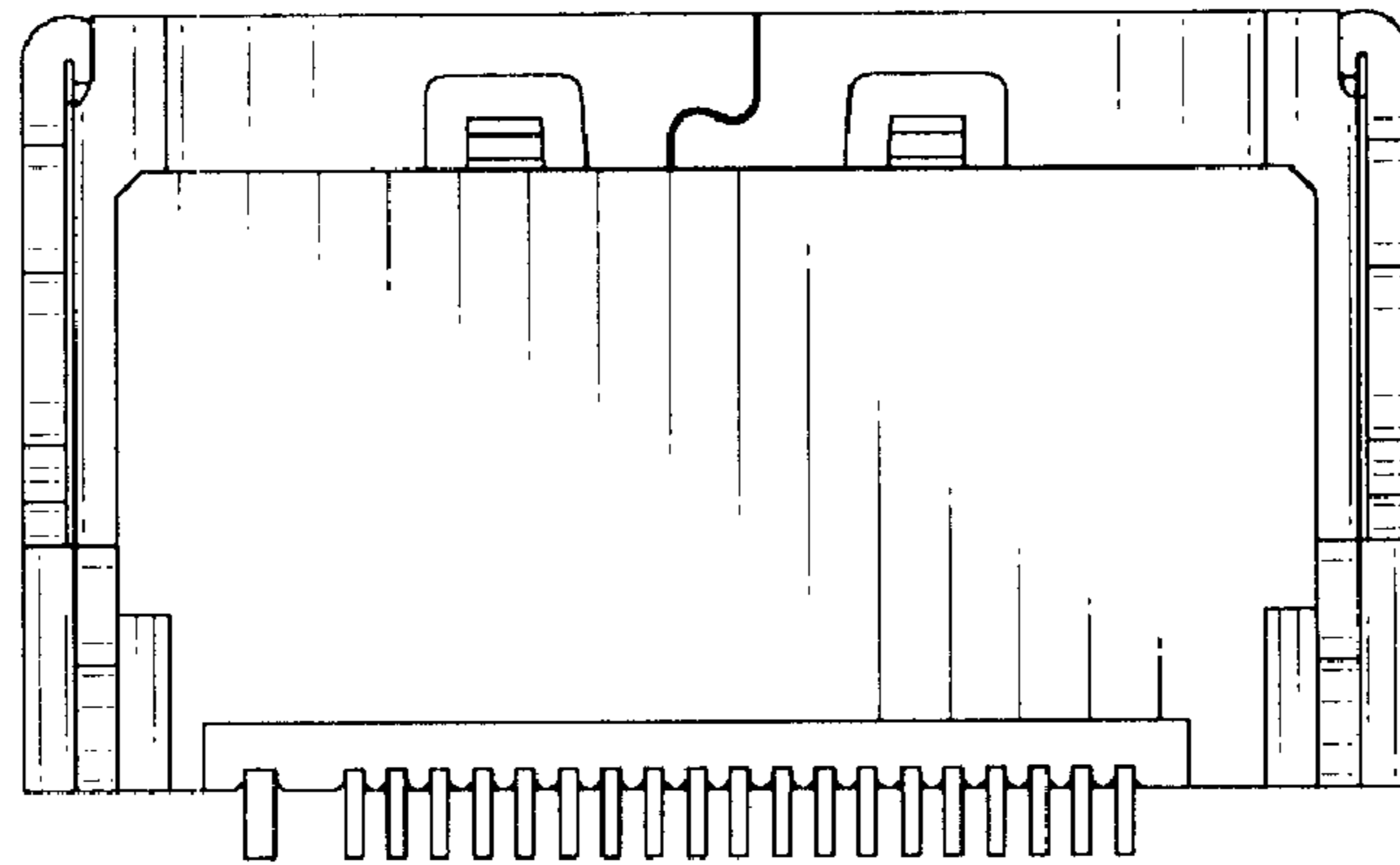


FIG. 10

