



US00D633047S

(12) **United States Design Patent**
Nagata

(10) **Patent No.:** **US D633,047 S**
(45) **Date of Patent:** **** Feb. 22, 2011**

(54) **ELECTRICAL CONNECTOR**

- (75) Inventor: **Takayuki Nagata, Yao (JP)**
- (73) Assignee: **Hosiden Corporation, Yao-shi (JP)**
- (**) Term: **14 Years**
- (21) Appl. No.: **29/369,402**
- (22) Filed: **Sep. 8, 2010**

Related U.S. Application Data

- (62) Division of application No. 29/362,216, filed on May 21, 2010, which is a division of application No. 29/341,087, filed on Jul. 30, 2009, now Pat. No. Des. 618,620.

Foreign Application Priority Data

- (30) Feb. 3, 2009 (JP) 2009-002136
- Feb. 3, 2009 (JP) 2009-002137
- Feb. 3, 2009 (JP) 2009-002138
- Feb. 16, 2009 (JP) 2009-002991

- (51) **LOC (9) Cl.** **13-03**
- (52) **U.S. Cl.** **D13/147**
- (58) **Field of Classification Search** D13/147,
D13/154, 184; 439/108, 476.1, 483, 527,
439/533, 607.01, 607.04, 607.05, 607.17,
439/607.25, 607.34, 607.41, 607.53, 892,
439/894

See application file for complete search history.

References Cited

- (56) **U.S. PATENT DOCUMENTS**
- D432,992 S 10/2000 Lok

(Continued)

Primary Examiner—Daniel D Bui
(74) *Attorney, Agent, or Firm*—Rankin, Hill & Clark LLP

(57) **CLAIM**

I claim the ornamental design for an electrical connector, as shown and described.

DESCRIPTION

FIG. 1 is a front, right side and top perspective view of an electrical connector in accordance with an embodiment of my new design;

FIG. 2 is a rear, left side and bottom perspective view of the electrical connector of FIG. 1;

FIG. 3 is a front elevation view of the electrical connector of FIG. 1;

FIG. 4 is a rear elevation view of the electrical connector of FIG. 1;

FIG. 5 is a left side view of the electrical connector of FIG. 1, a right side view being a mirror image thereof;

FIG. 6 is a top plan view of the electrical connector of FIG. 1;

FIG. 7 is a bottom plan view of the electrical connector of FIG. 1.

FIG. 8 is a front, right side and top perspective view of an electrical connector in accordance with another embodiment of my new design;

FIG. 9 is a rear, left side and bottom perspective view of the electrical connector of FIG. 8;

FIG. 10 is a front elevation view of the electrical connector of FIG. 8;

FIG. 11 is a rear elevation view of the electrical connector of FIG. 8;

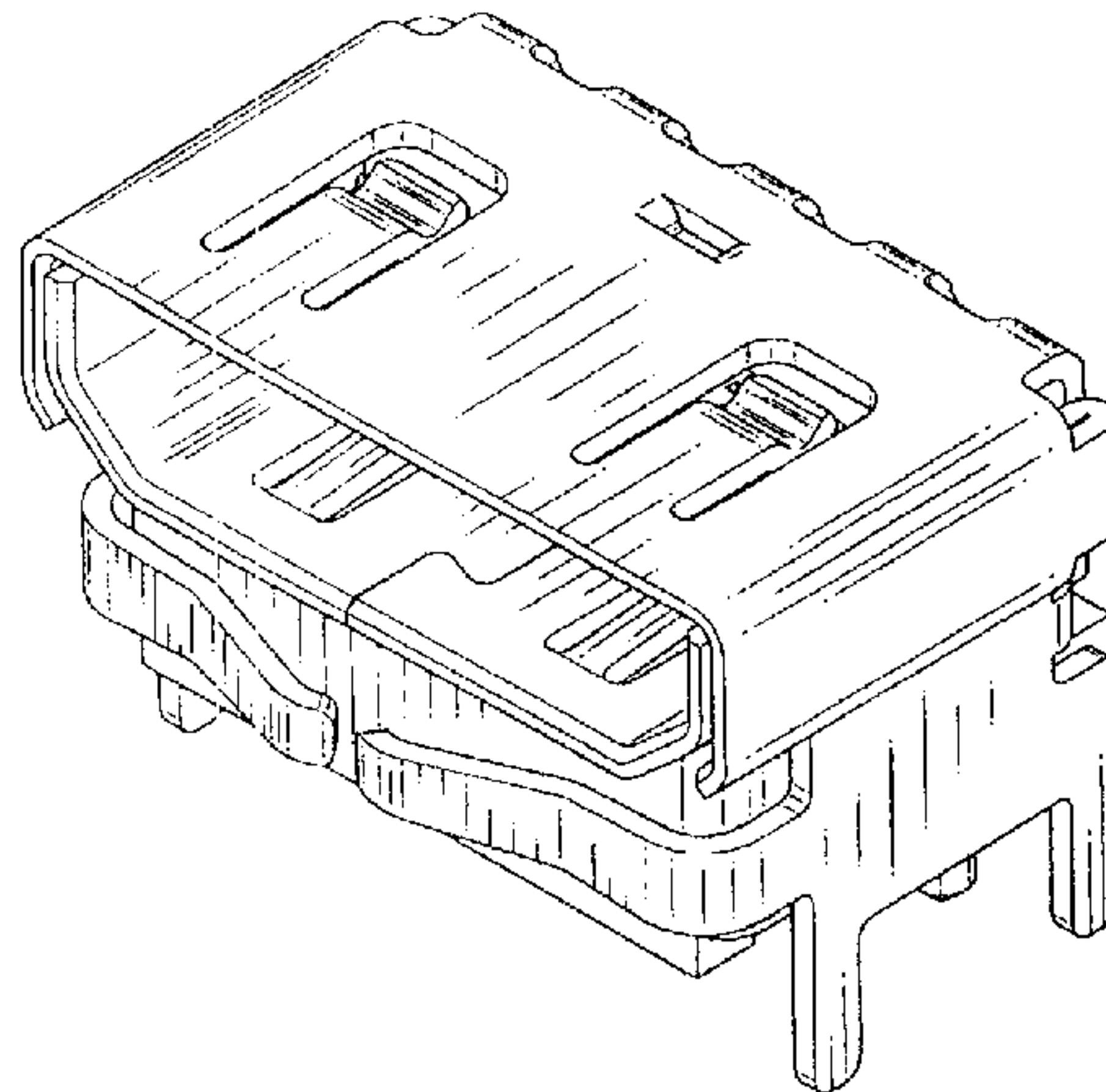
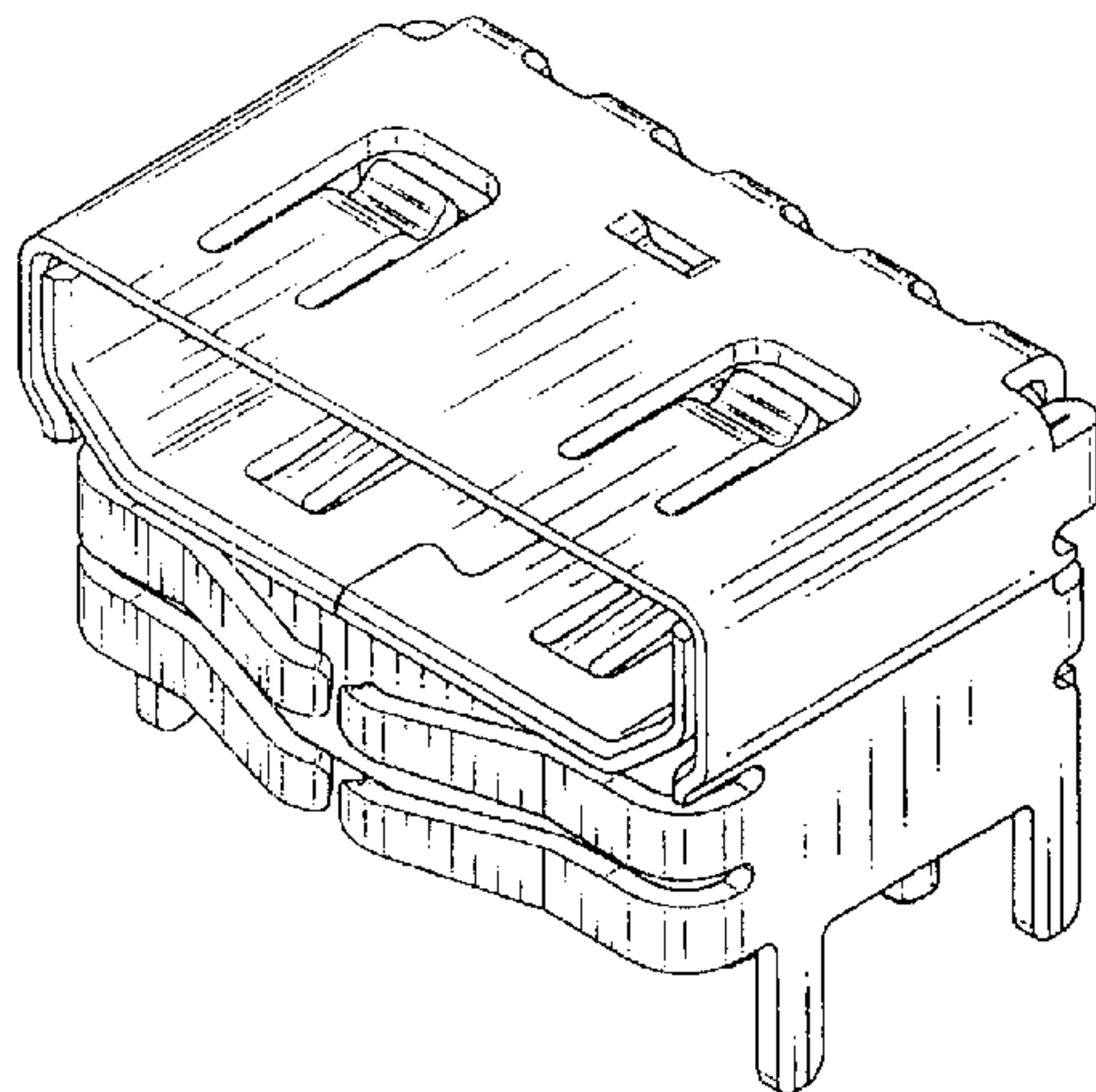
FIG. 12 is a left side view of the electrical connector of FIG. 8, a right side view being a mirror image thereof;

FIG. 13 is a top plan view of the electrical connector of FIG. 8; and,

FIG. 14 is a bottom plan view of the electrical connector of FIG. 8.

The broken line portion of the figure drawings is included to show unclaimed subject matter only and forms no part of the claimed design.

1 Claim, 8 Drawing Sheets



US D633,047 S

Page 2

U.S. PATENT DOCUMENTS

D538,232 S	3/2007	Wan et al.	D586,754 S	2/2009	Yuan et al.
D548,191 S	8/2007	Arai et al.	D593,495 S	6/2009	Zhu et al.
			D593,496 S	6/2009	Zhu et al.
			D600,646 S	9/2009	Han et al.

FIG. 1

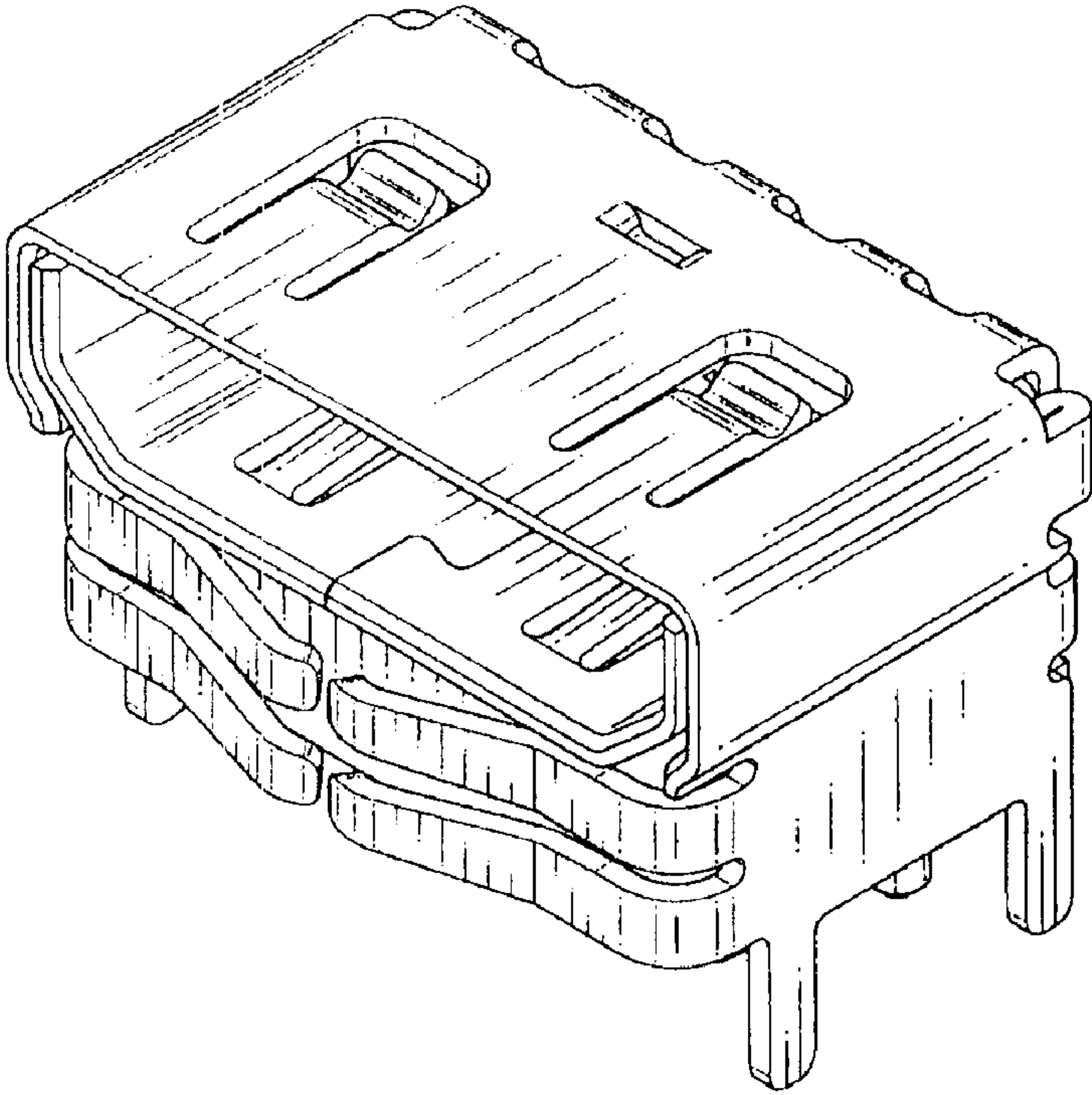


FIG. 2

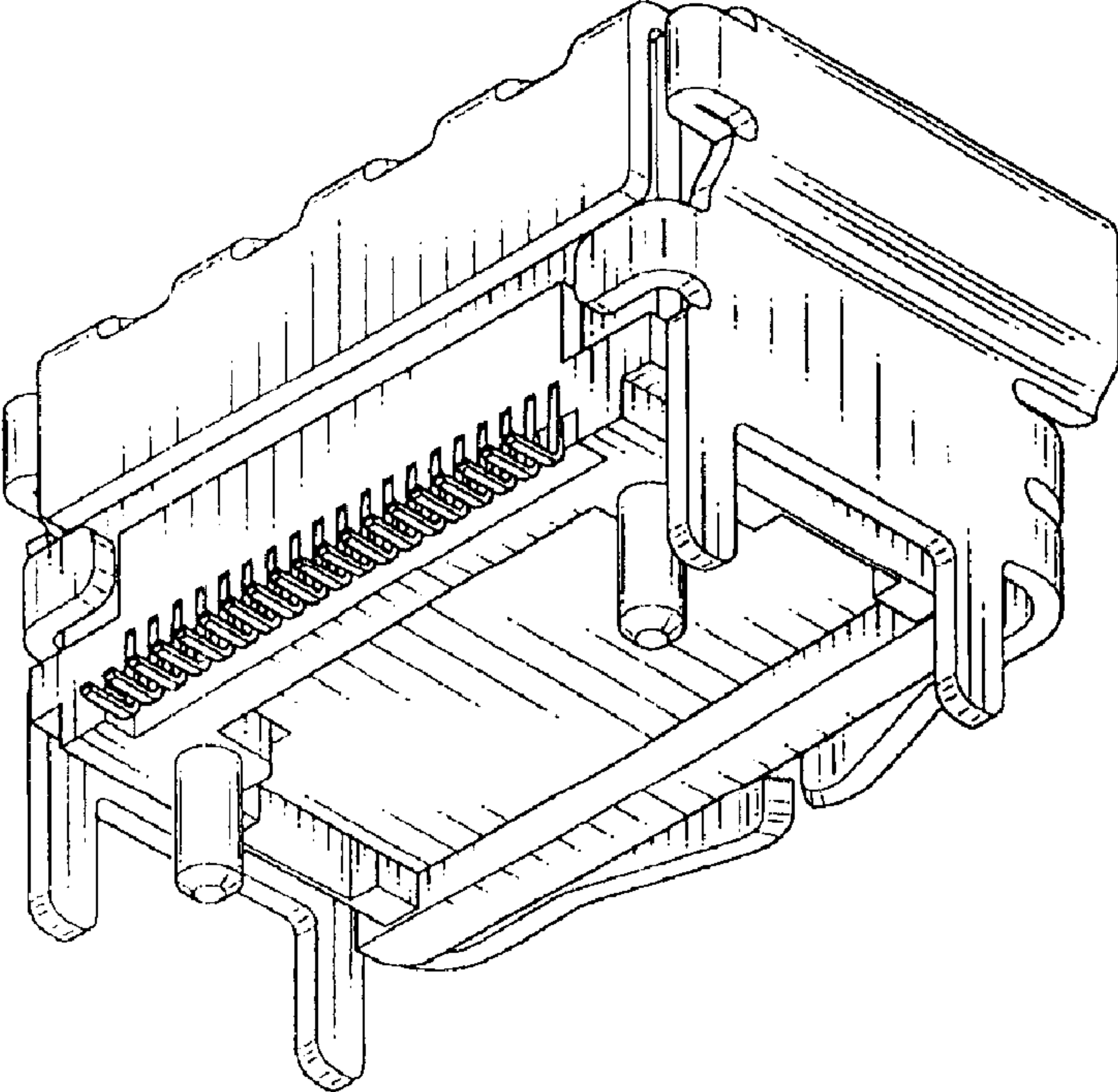


FIG. 3

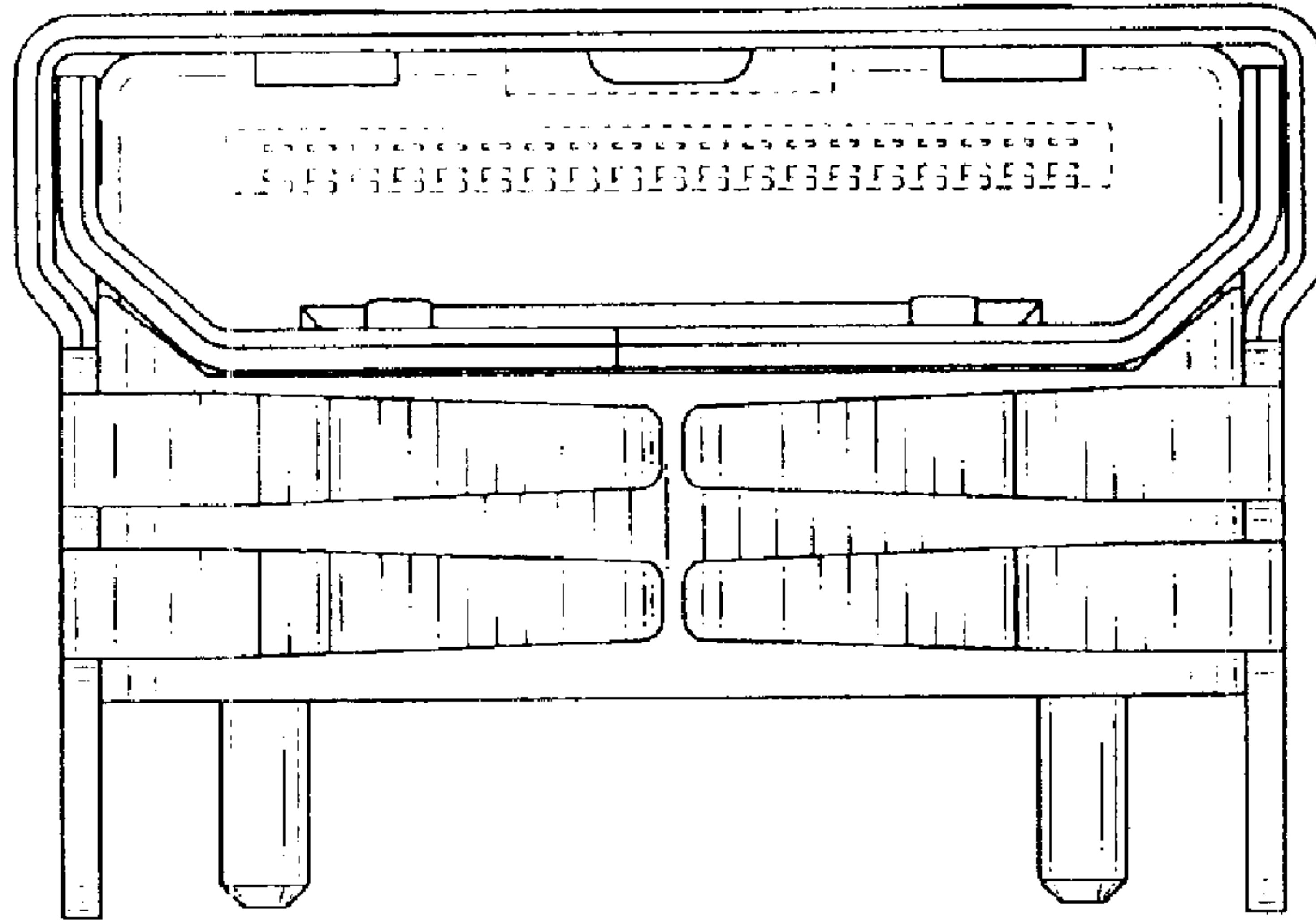


FIG. 4

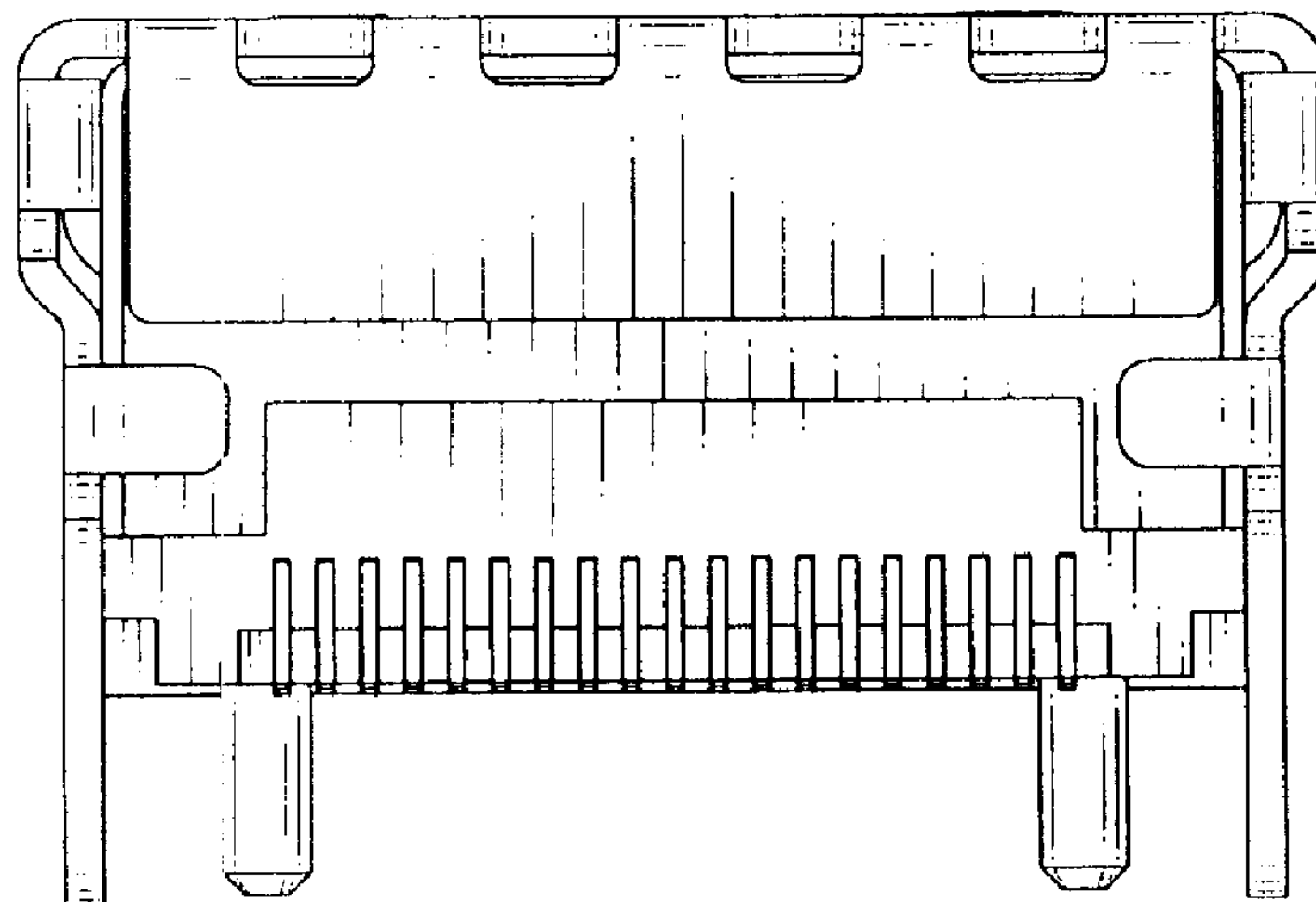


FIG. 5

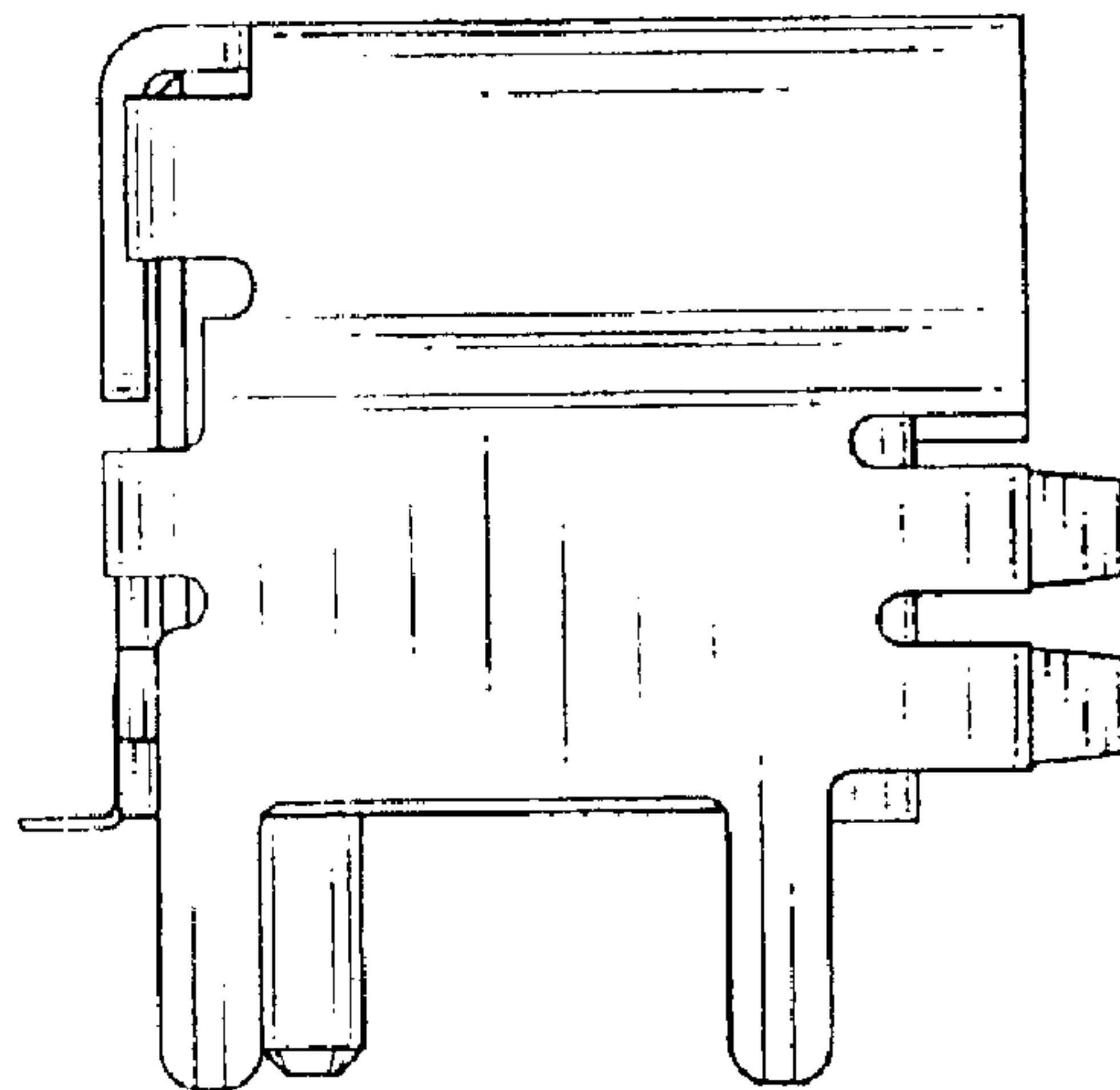


FIG. 6

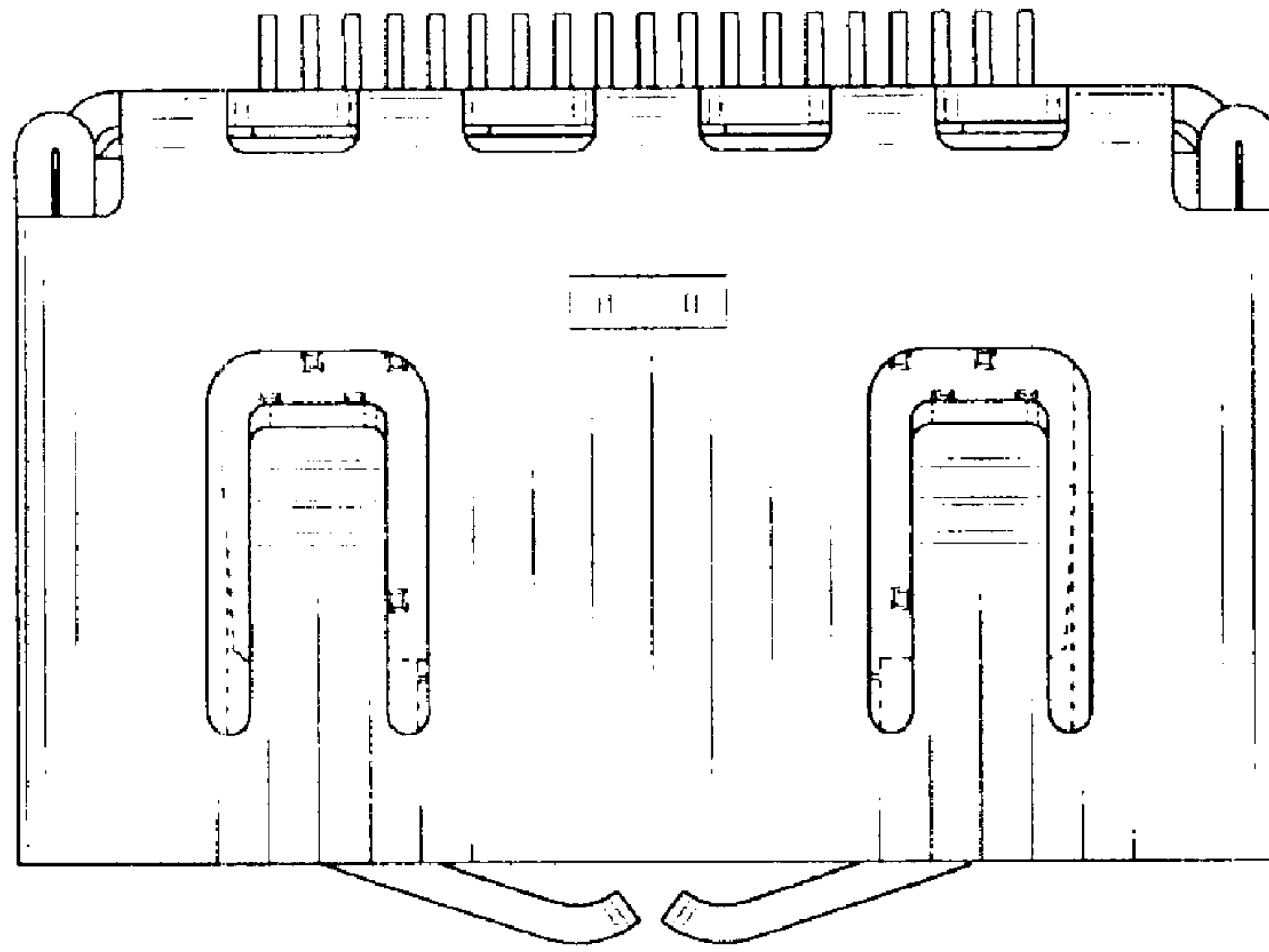


FIG. 7

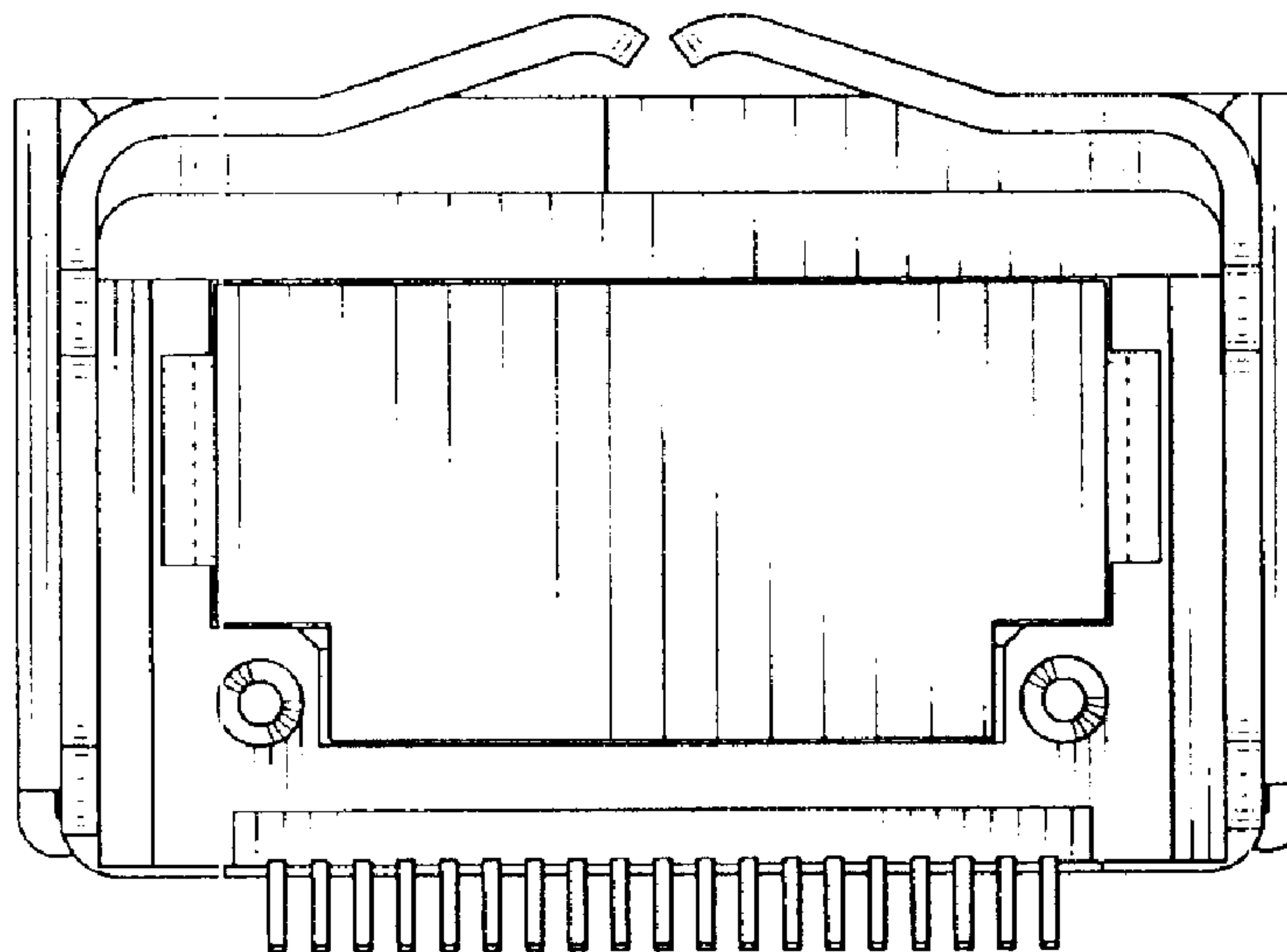


FIG. 8

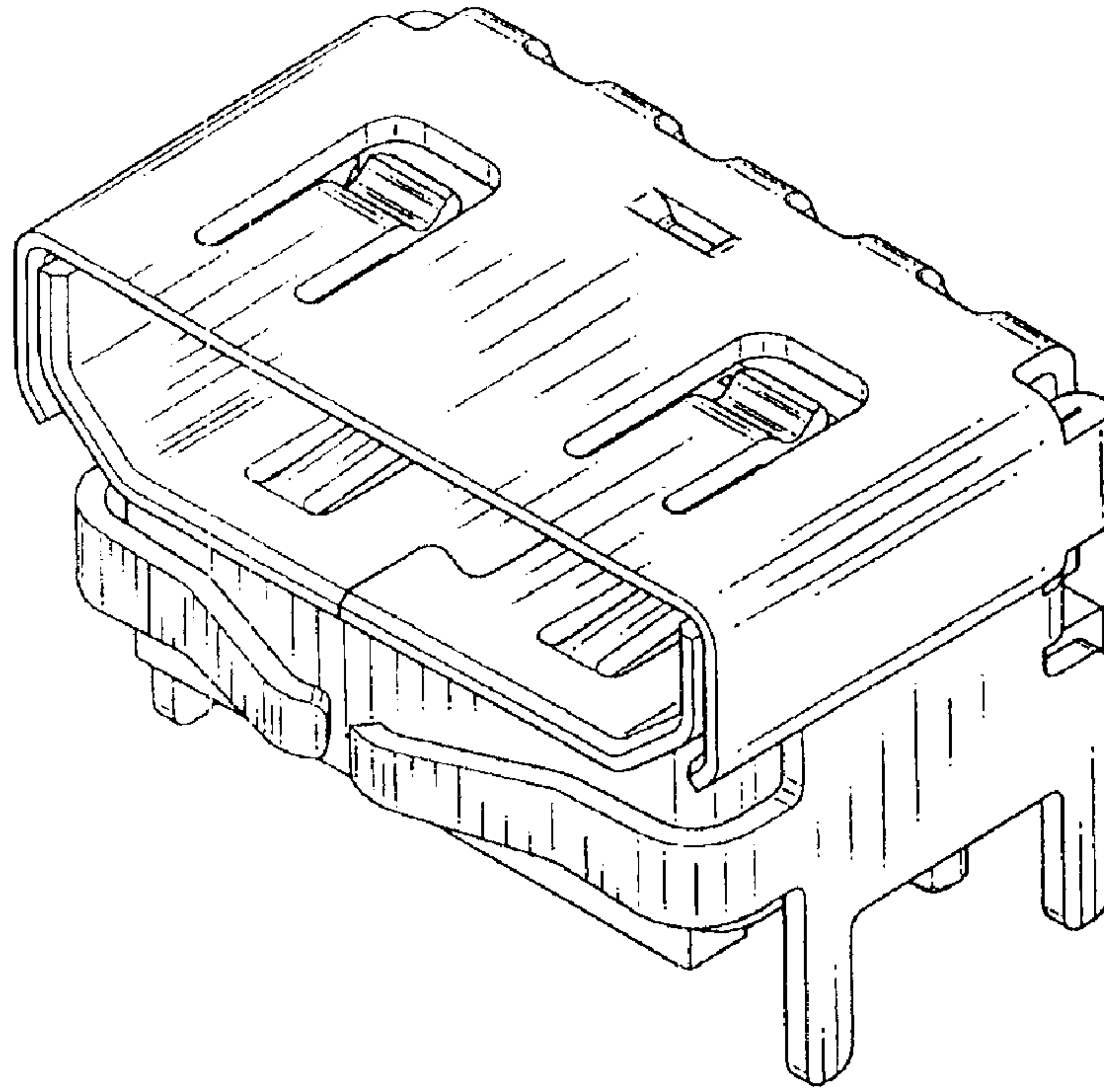


FIG. 9

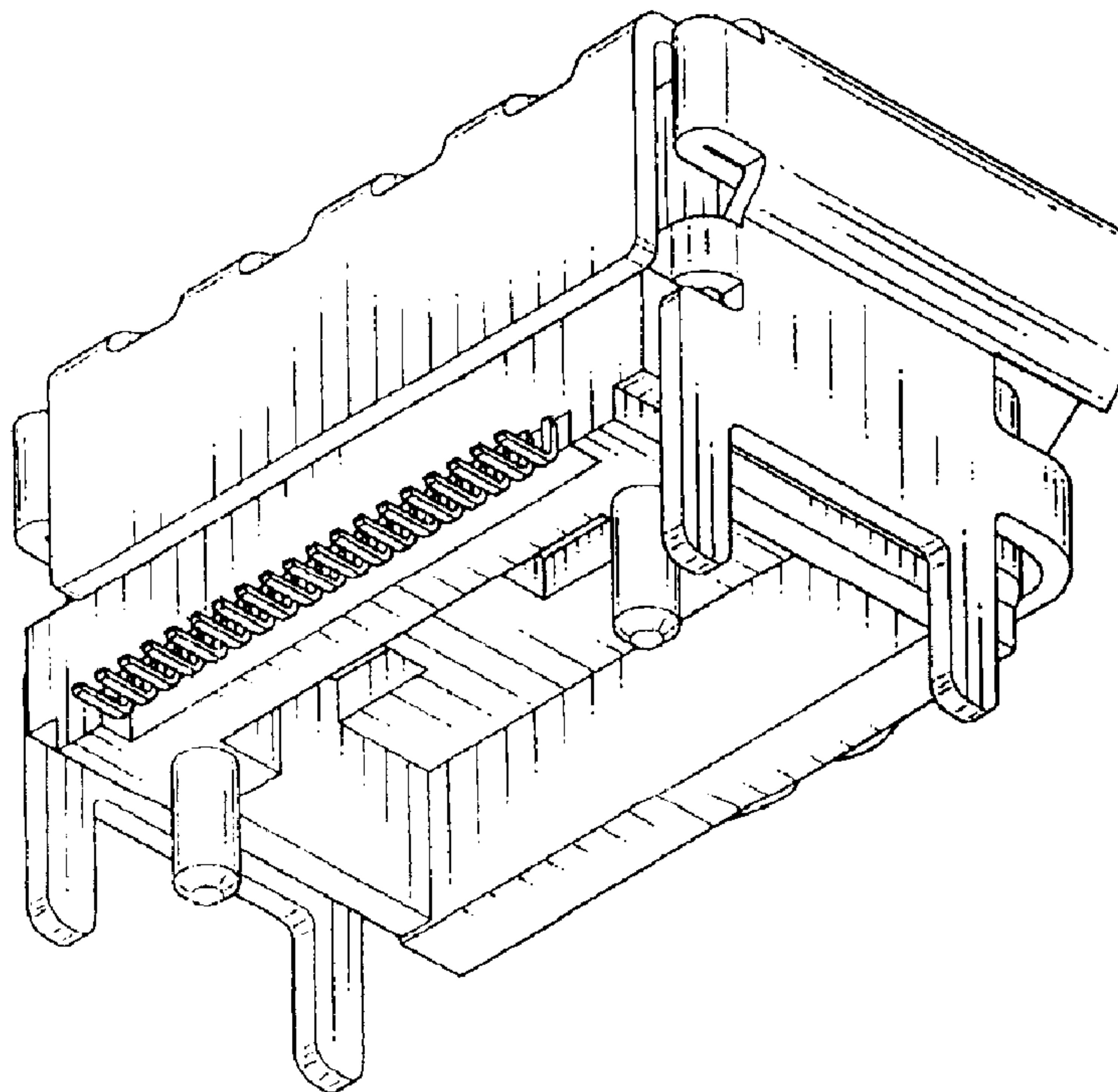


FIG. 10

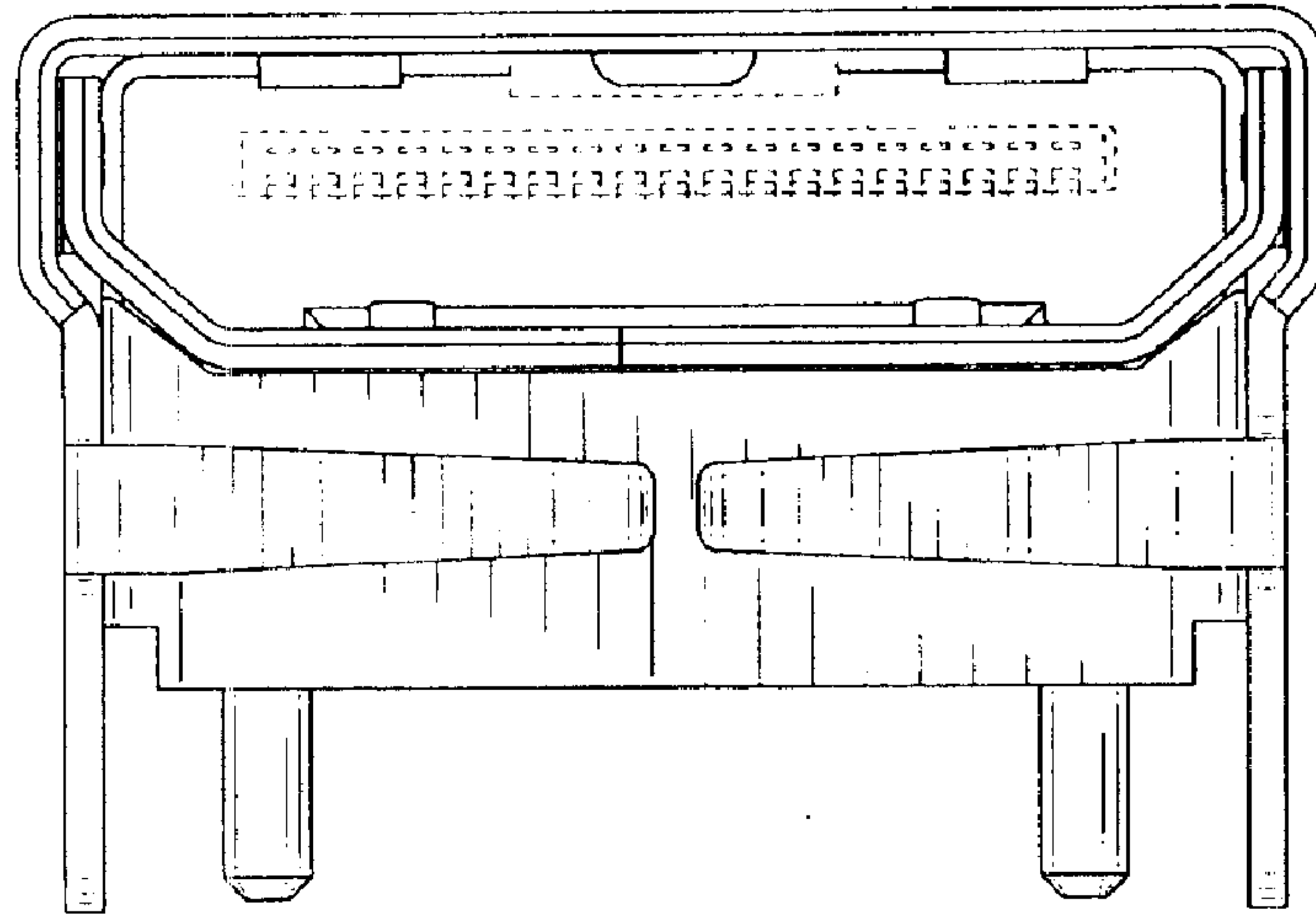


FIG. 11

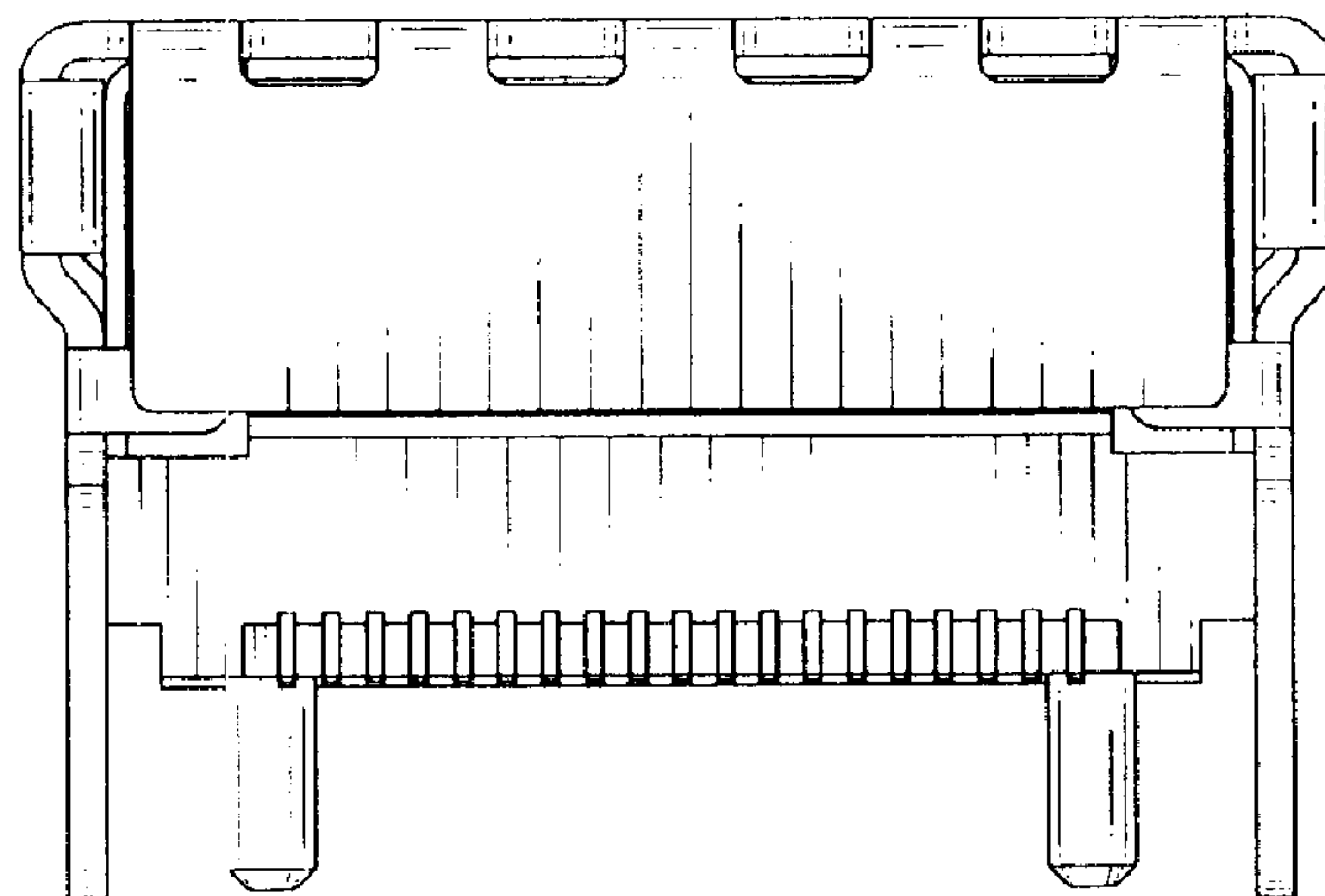


FIG. 12

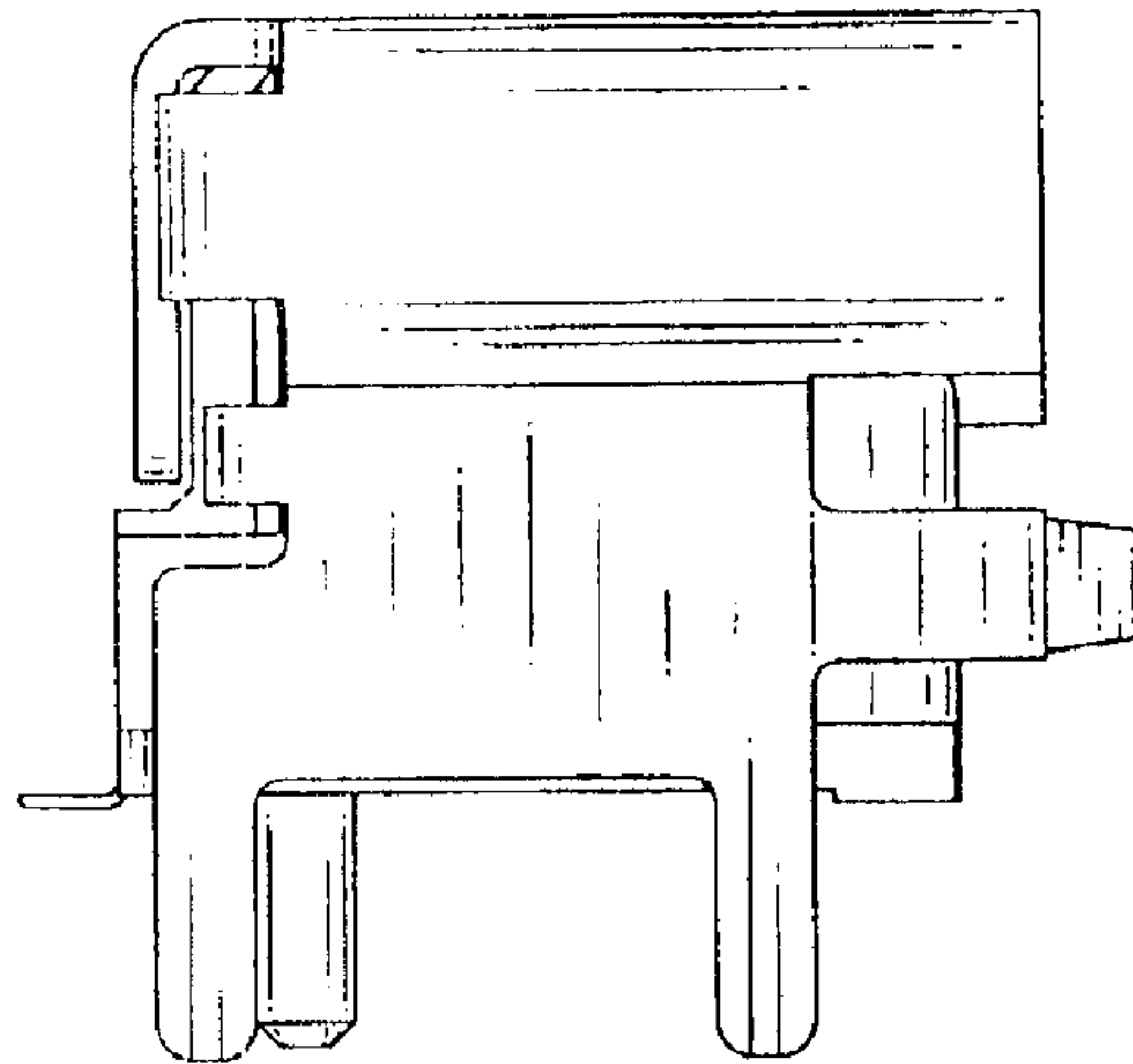


FIG. 13

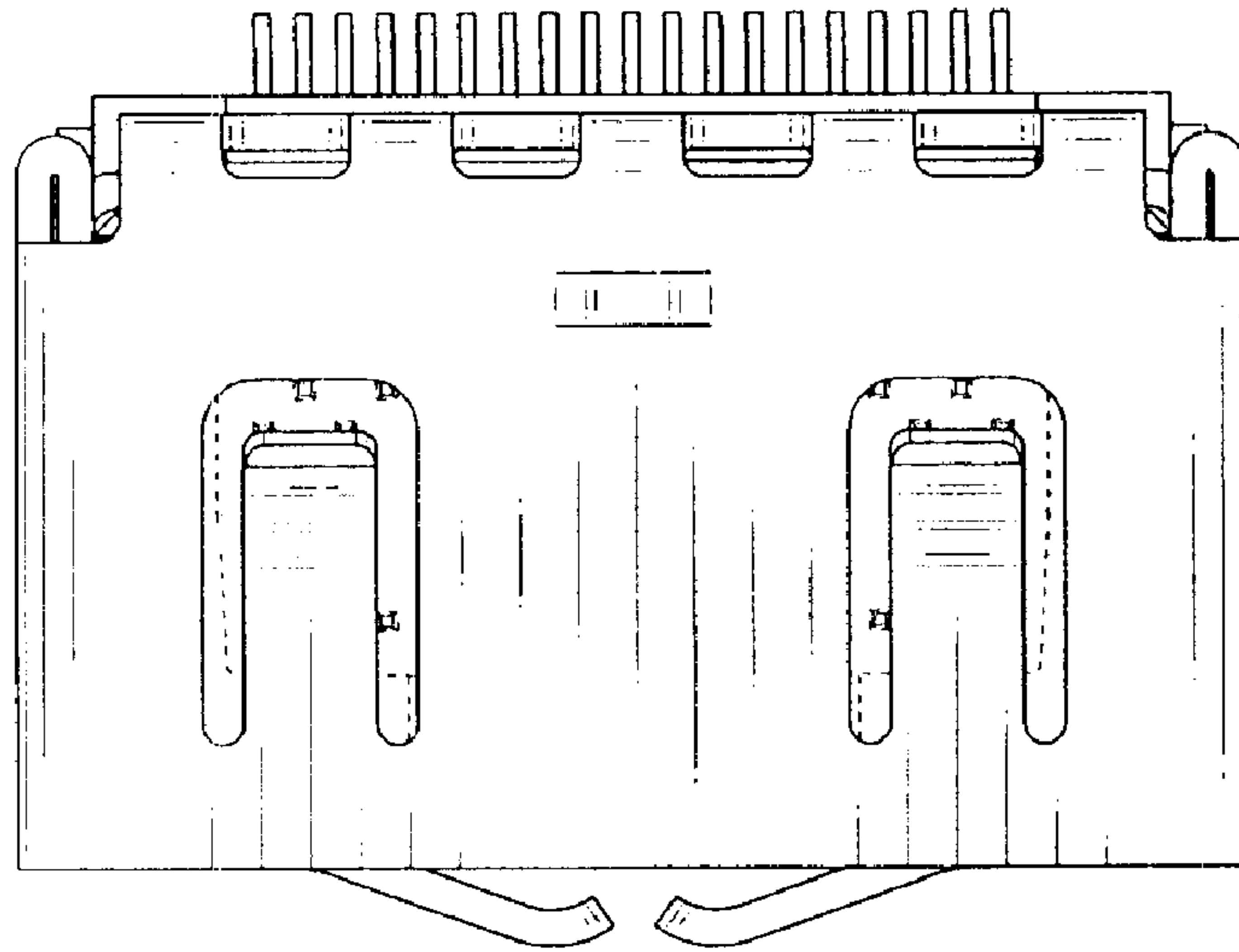


FIG. 14

