



US00D633046S

(12) **United States Design Patent**  
**Au**

(10) **Patent No.:** **US D633,046 S**

(45) **Date of Patent:** **\*\* Feb. 22, 2011**

(54) **DUAL USB VEHICLE POWER ADAPTER**

D625,690 S \* 10/2010 Chan ..... D13/144  
D626,072 S \* 10/2010 Tseng et al. .... D13/144

(75) Inventor: **Ka Hung Au**, Honk Kong (CN)

\* cited by examiner

(73) Assignee: **Ever Win International Corporation**,  
City of Industry, CA (US)

*Primary Examiner*—Daniel D Bui

(74) *Attorney, Agent, or Firm*—Joe Nieh

(\*\*) Term: **14 Years**

(57) **CLAIM**

(21) Appl. No.: **29/368,522**

The ornamental design for a dual USB vehicle power adapter,  
as shown and described.

(22) Filed: **Aug. 25, 2010**

(51) **LOC (9) Cl.** ..... **13-03**

(52) **U.S. Cl.** ..... **D13/144**

(58) **Field of Classification Search** ..... D13/107,  
D13/118, 119, 120, 133, 144, 154, 184; D14/155;  
320/65, 107, 108, 109; 363/13, 146; 439/300,  
439/620, 638, 668, 669, 675, 825  
See application file for complete search history.

**DESCRIPTION**

FIG. 1 is a perspective view of a dual USB vehicle power adapter showing my new design;

FIG. 2 is a front view thereof;

FIG. 3 is a right side view thereof;

FIG. 4 is a left side view thereof;

FIG. 5 is a top view thereof;

FIG. 6 is a bottom view thereof; and,

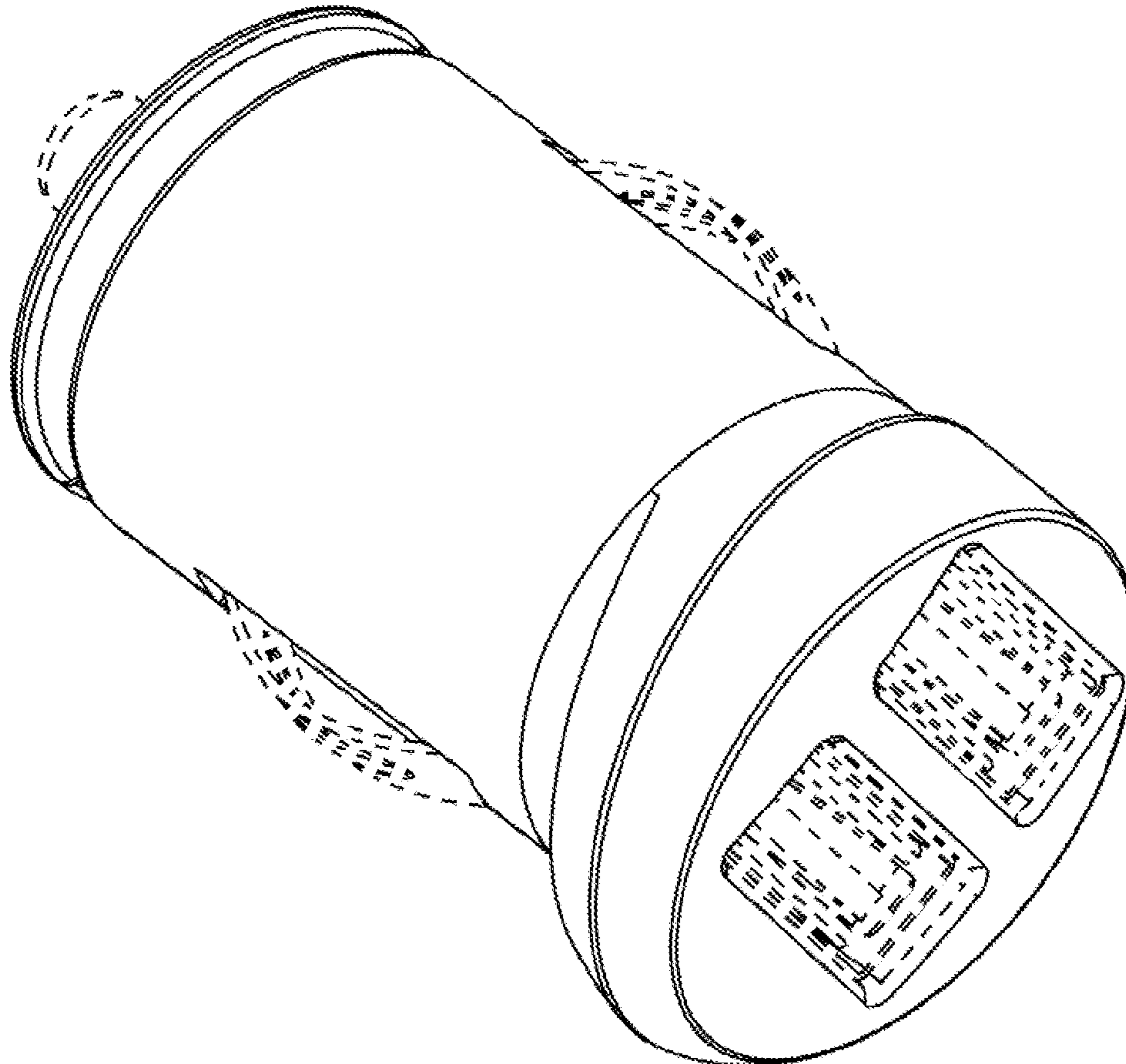
FIG. 7 is a rear view thereof.

(56) **References Cited**

**U.S. PATENT DOCUMENTS**

D624,499 S \* 9/2010 Chan ..... D13/144  
D625,267 S \* 10/2010 Tseng et al. .... D13/144  
D625,689 S \* 10/2010 Chan ..... D13/144

**1 Claim, 7 Drawing Sheets**



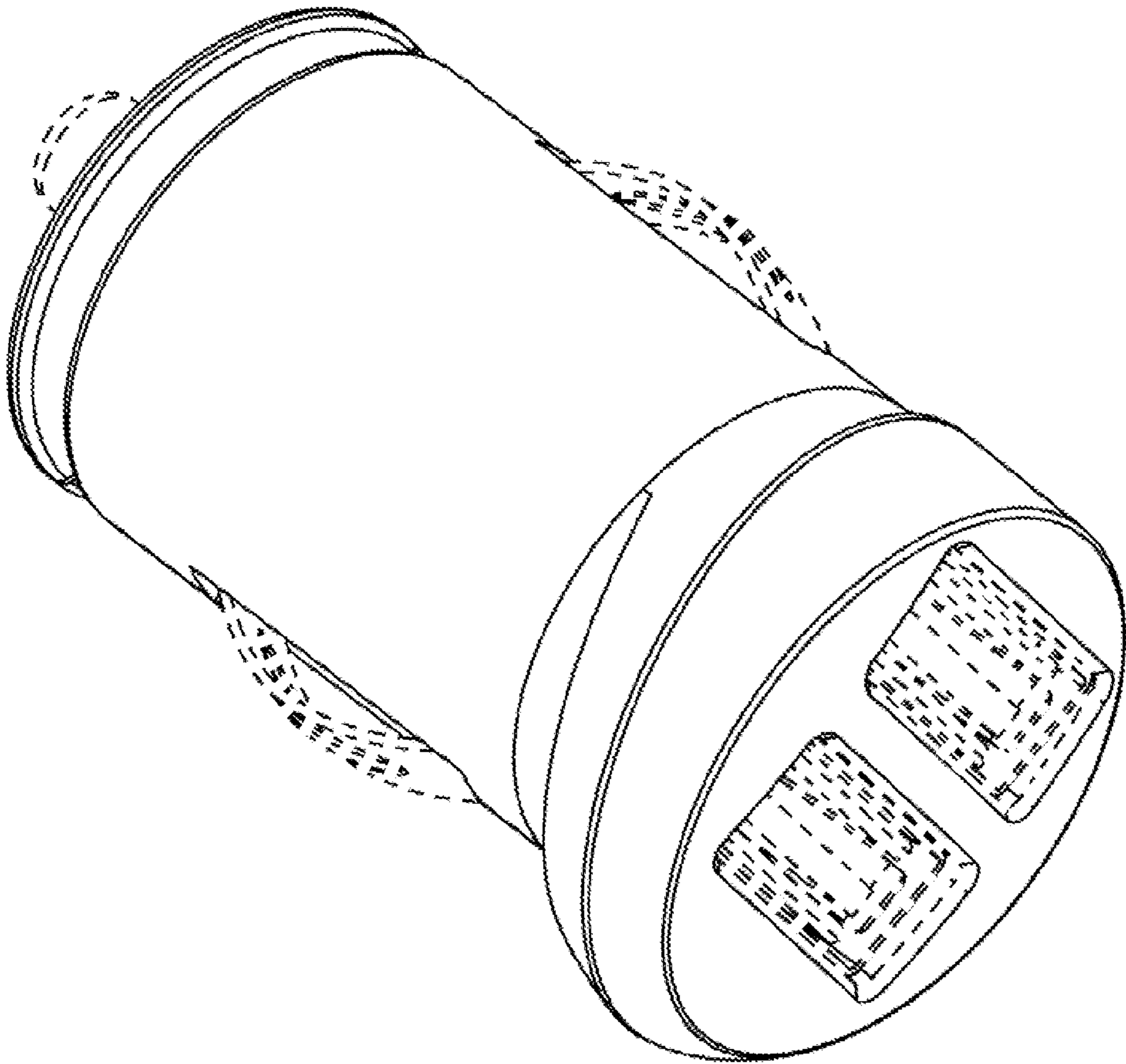


Fig. 1

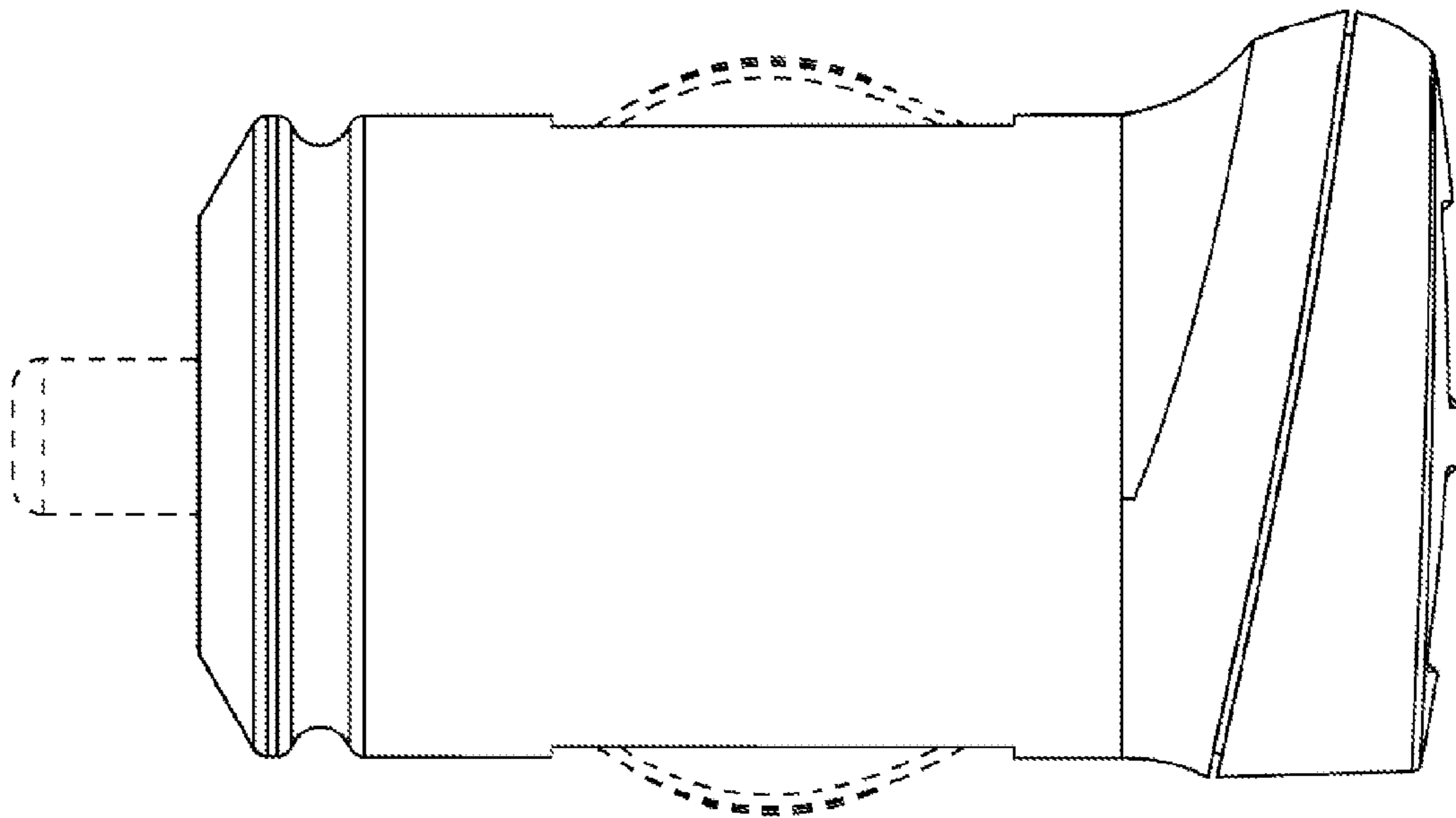


Fig. 2

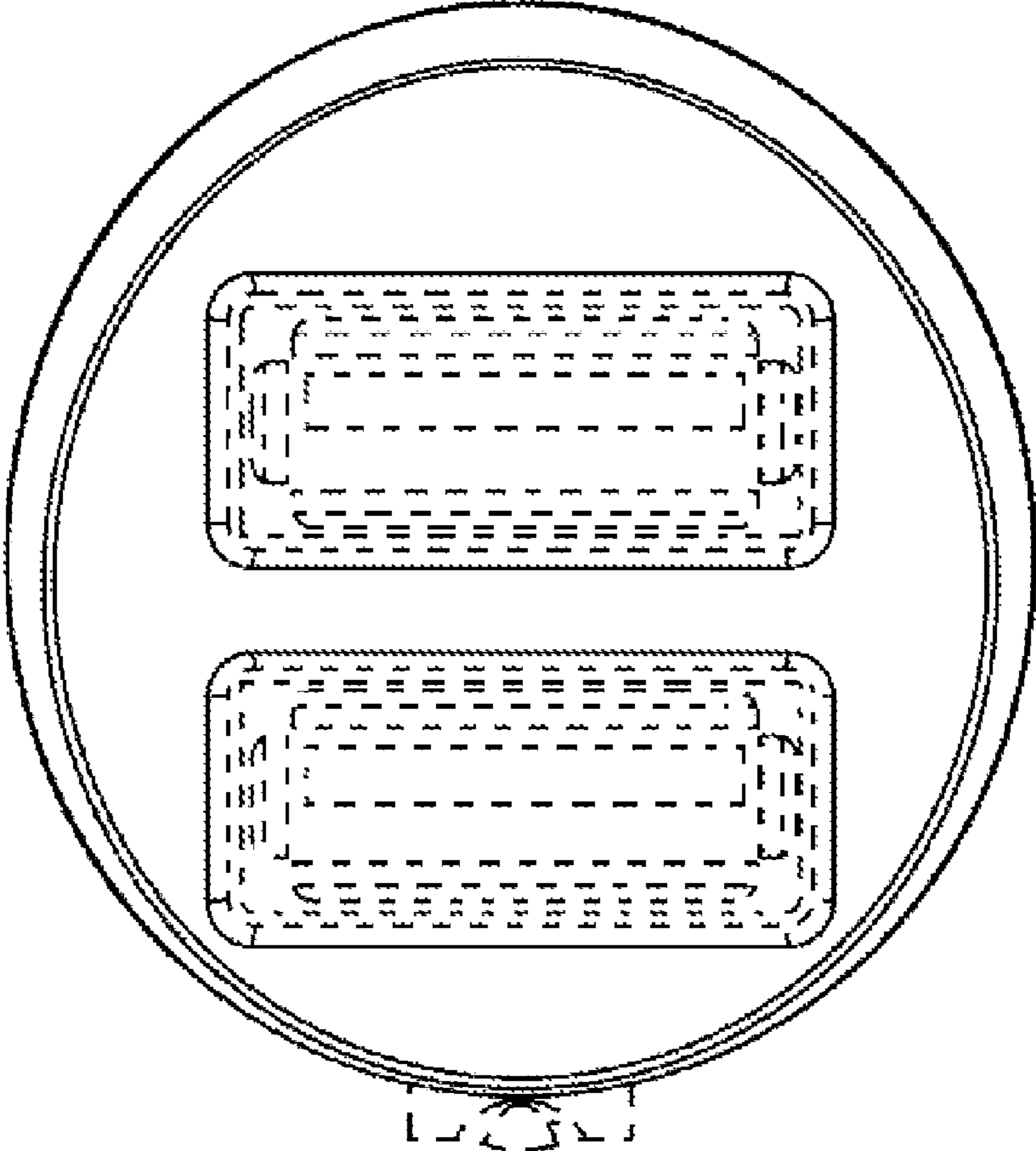


Fig. 3

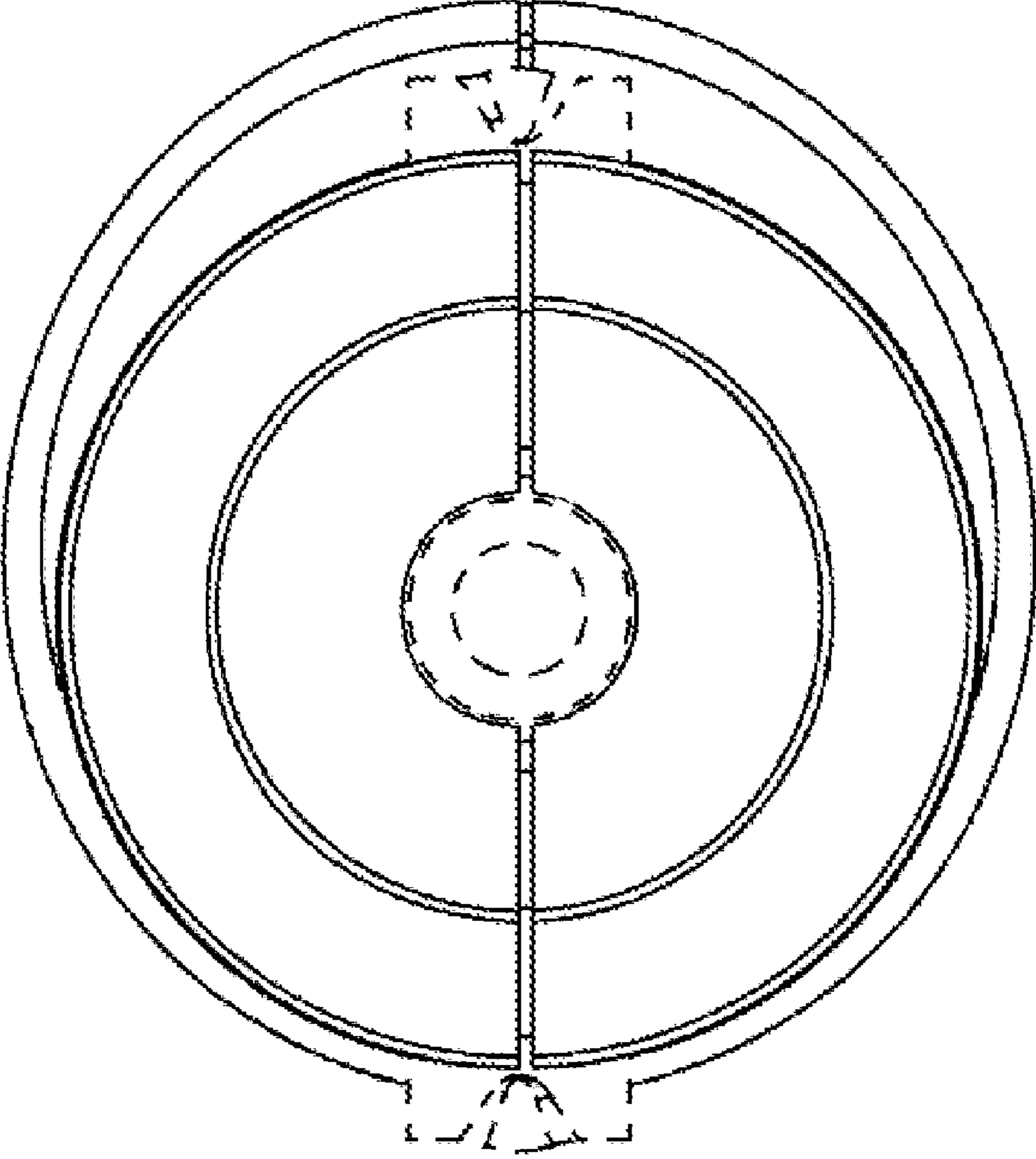


Fig. 4

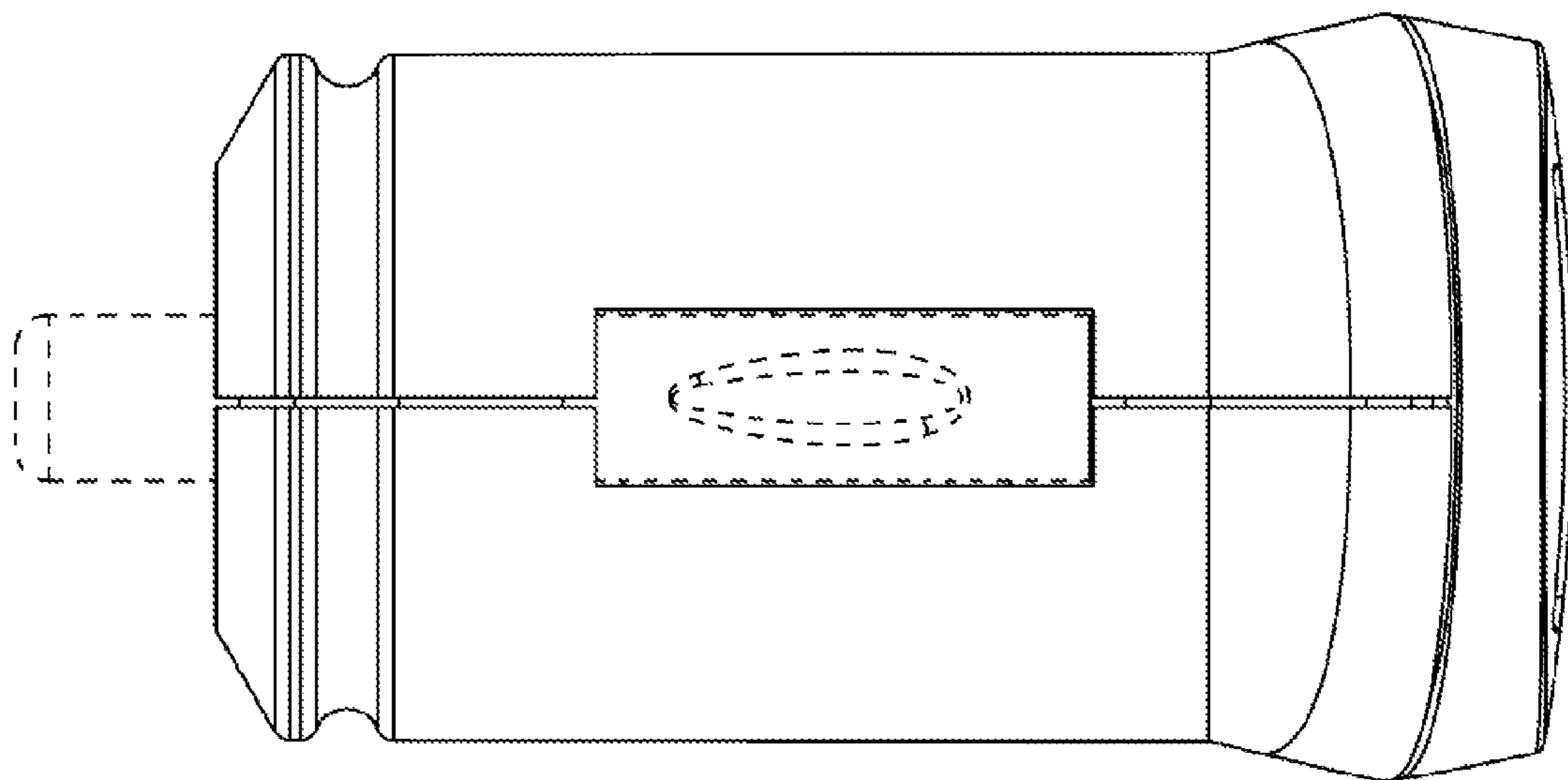


Fig. 5

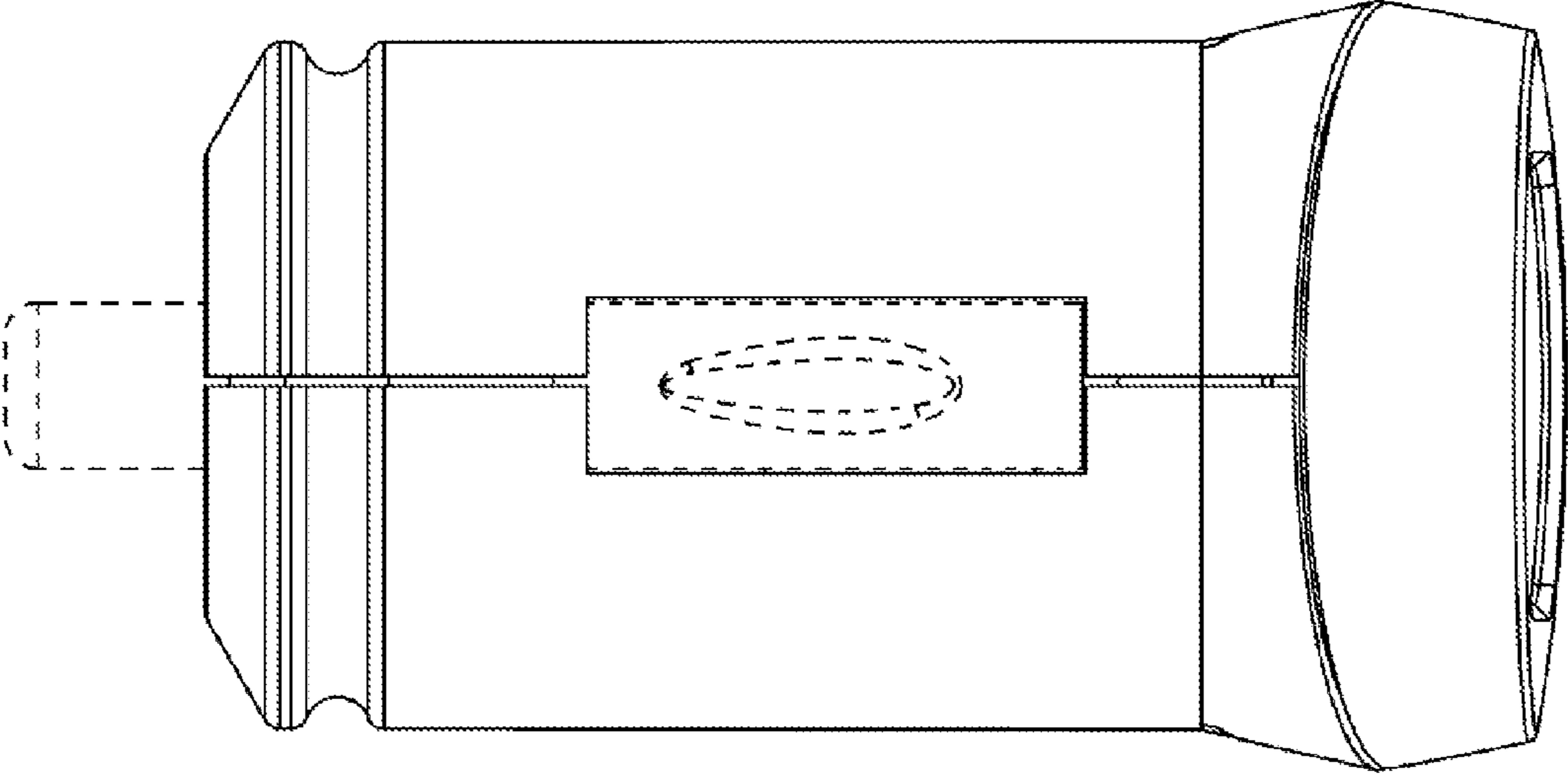


Fig. 6

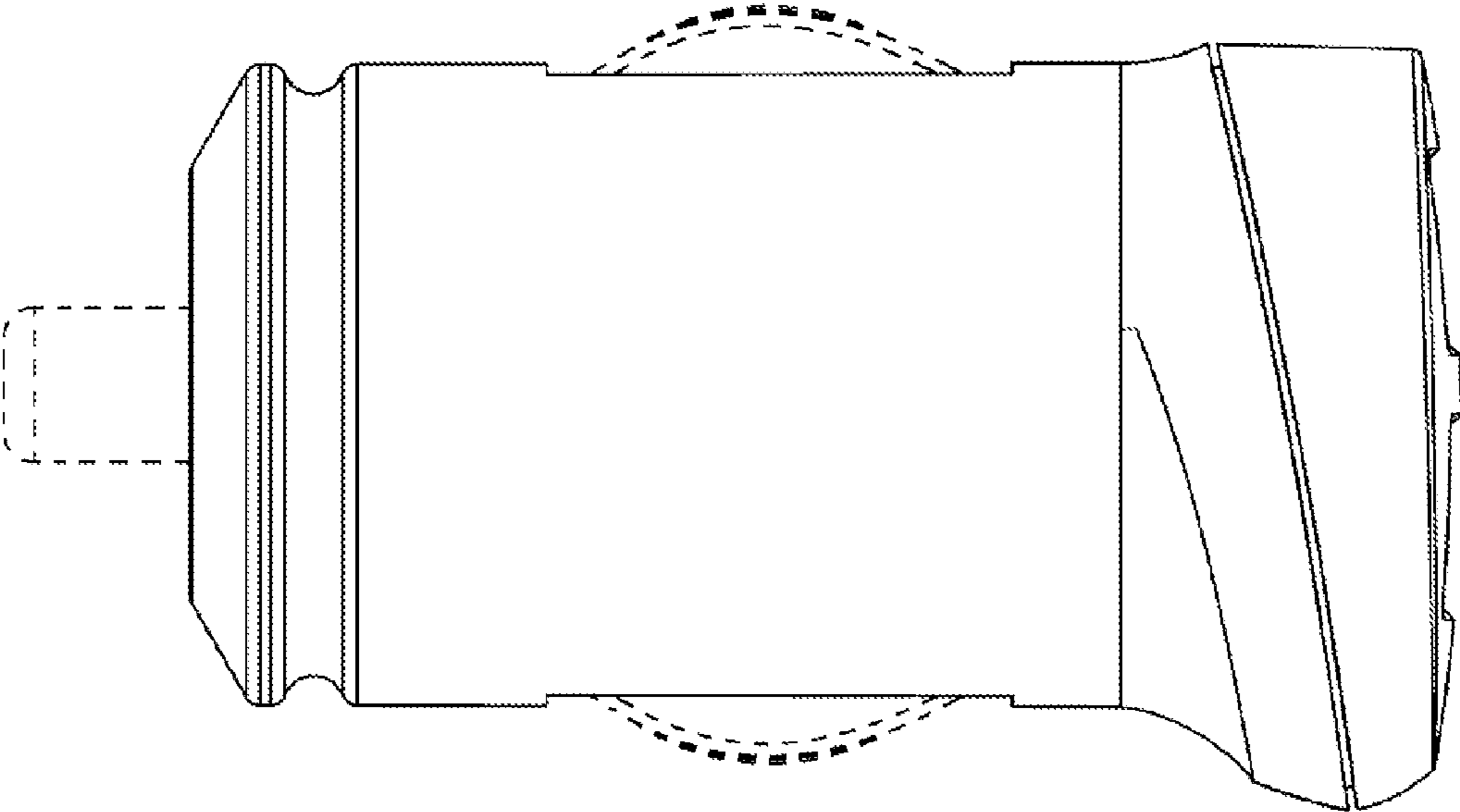


Fig. 7