



US00D633044S

(12) **United States Design Patent**
Bigler et al.

(10) **Patent No.:** **US D633,044 S**

(45) **Date of Patent:** **** Feb. 22, 2011**

(54) **VACUUM CAPACITOR**

(75) Inventors: **Walter Bigler**, Heitenried (CH); **Roger Tanner**, Niederwangen (CH)

(73) Assignee: **Comet AG**, Flamatt (CH)

(**) Term: **14 Years**

(21) Appl. No.: **29/353,740**

(22) Filed: **Jan. 13, 2010**

(30) **Foreign Application Priority Data**

Jul. 16, 2009 (CH) 136242

(51) **LOC (9) Cl.** **13-03**

(52) **U.S. Cl.** **D13/125**

(58) **Field of Classification Search** D13/123–125,
D13/133, 154, 184; 361/271, 277, 301.1–301.4,
361/328–330, 763; 438/171, 190, 238, 239,
438/381, 386, 393, 396

See application file for complete search history.

(56) **References Cited**

U.S. PATENT DOCUMENTS

3,509,427 A * 4/1970 Ruschetta 361/519
5,872,410 A * 2/1999 Sudoff 310/68 R
6,222,720 B1 * 4/2001 Aoki et al. 361/301.5
6,611,421 B2 * 8/2003 Meadows et al. 361/328
6,920,033 B2 * 7/2005 Jahreiss et al. 361/277

D508,236 S * 8/2005 Duke et al. D13/184
7,203,053 B2 * 4/2007 Stockman 361/301.5
D578,476 S * 10/2008 Takahashi D13/125

* cited by examiner

Primary Examiner—Thomas J Johannes
(74) *Attorney, Agent, or Firm*—Sheridan Ross P.C.

(57) **CLAIM**

The ornamental design for a vacuum capacitor, as shown and described.

DESCRIPTION

FIG. 1 is a front perspective view of a vacuum capacitor showing our new design;

FIG. 2 is a rear perspective view thereof;

FIG. 3 is a top plan view thereof;

FIG. 4 is a front elevation view thereof;

FIG. 5 is a rear elevation view thereof;

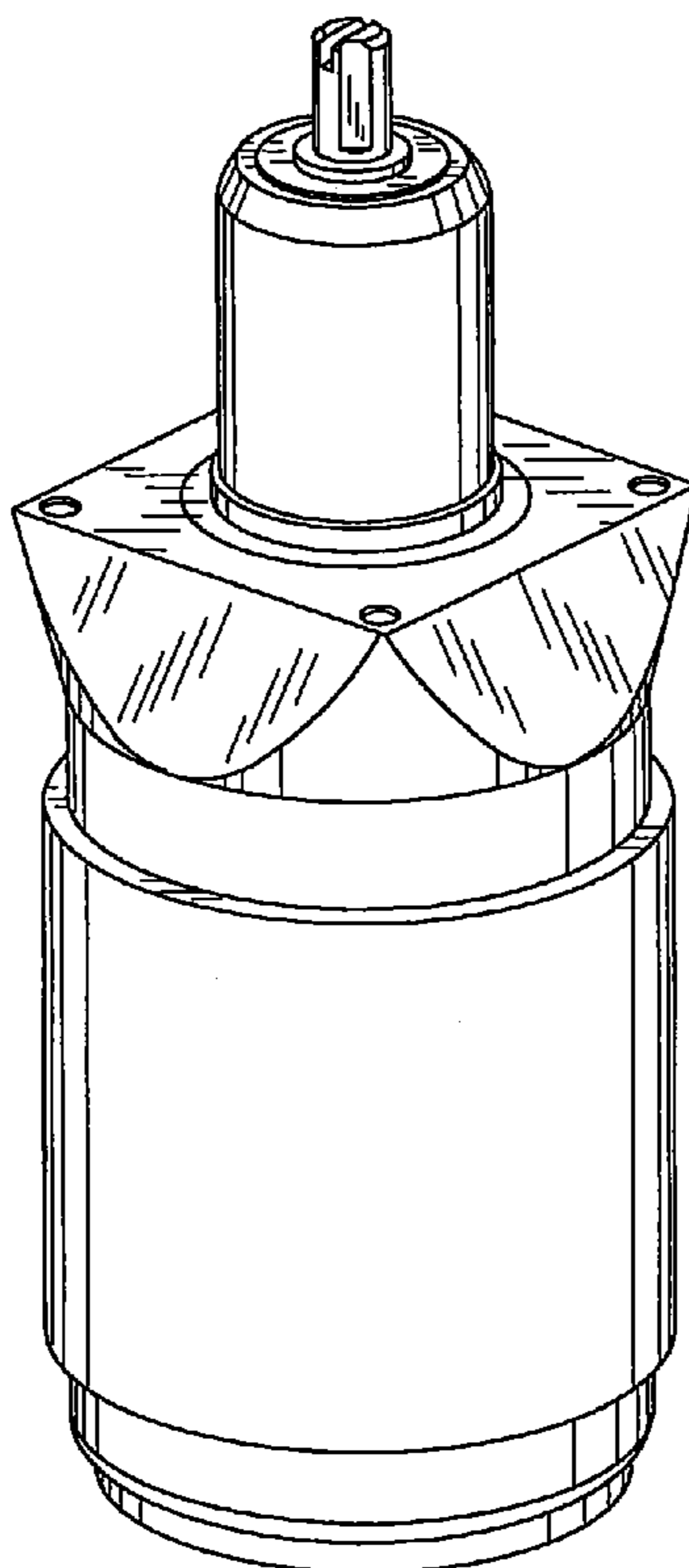
FIG. 6 is a bottom plan view thereof;

FIG. 7 is a left elevation view thereof; and,

FIG. 8 is a right elevation view thereof.

The broken line portion of the figure drawings is included to show unclaimed subject matter only and forms no part of the claimed design.

1 Claim, 4 Drawing Sheets



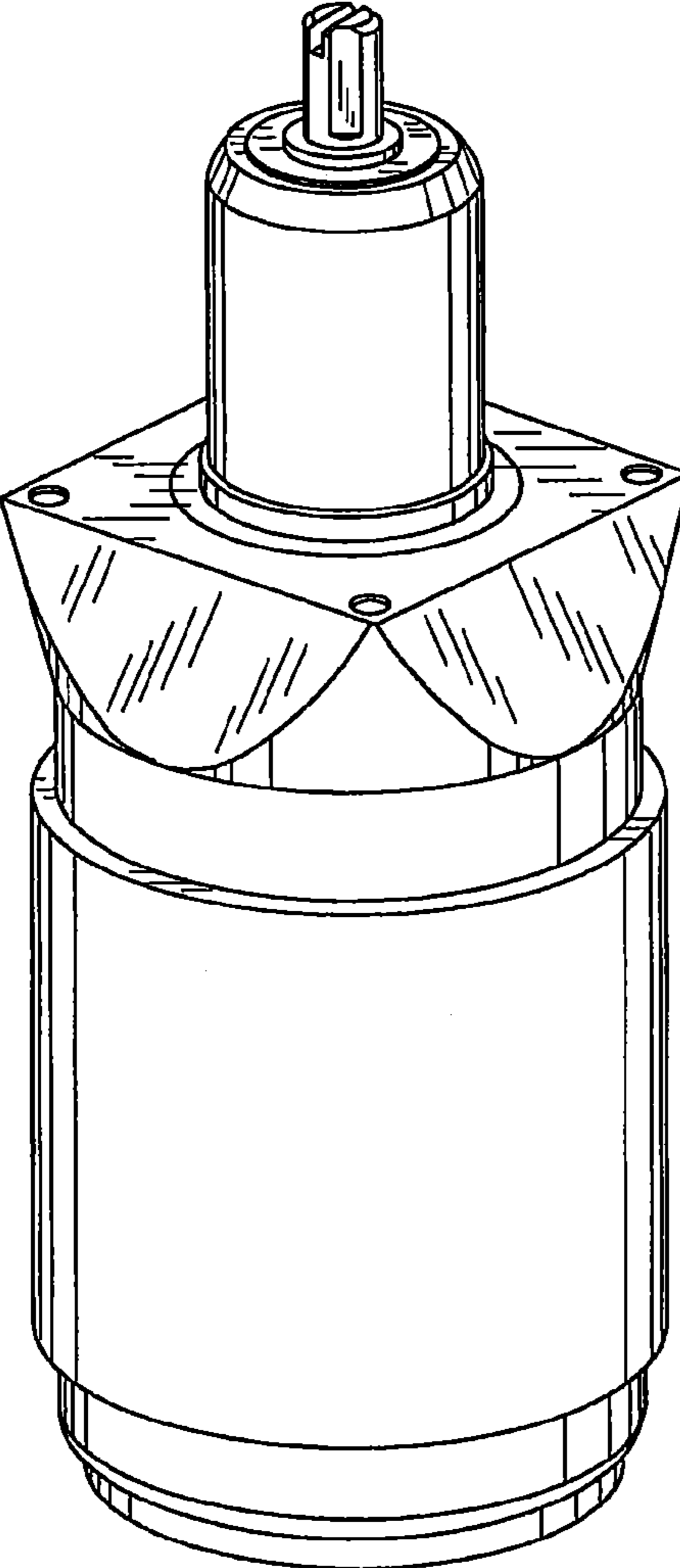


Fig. 1

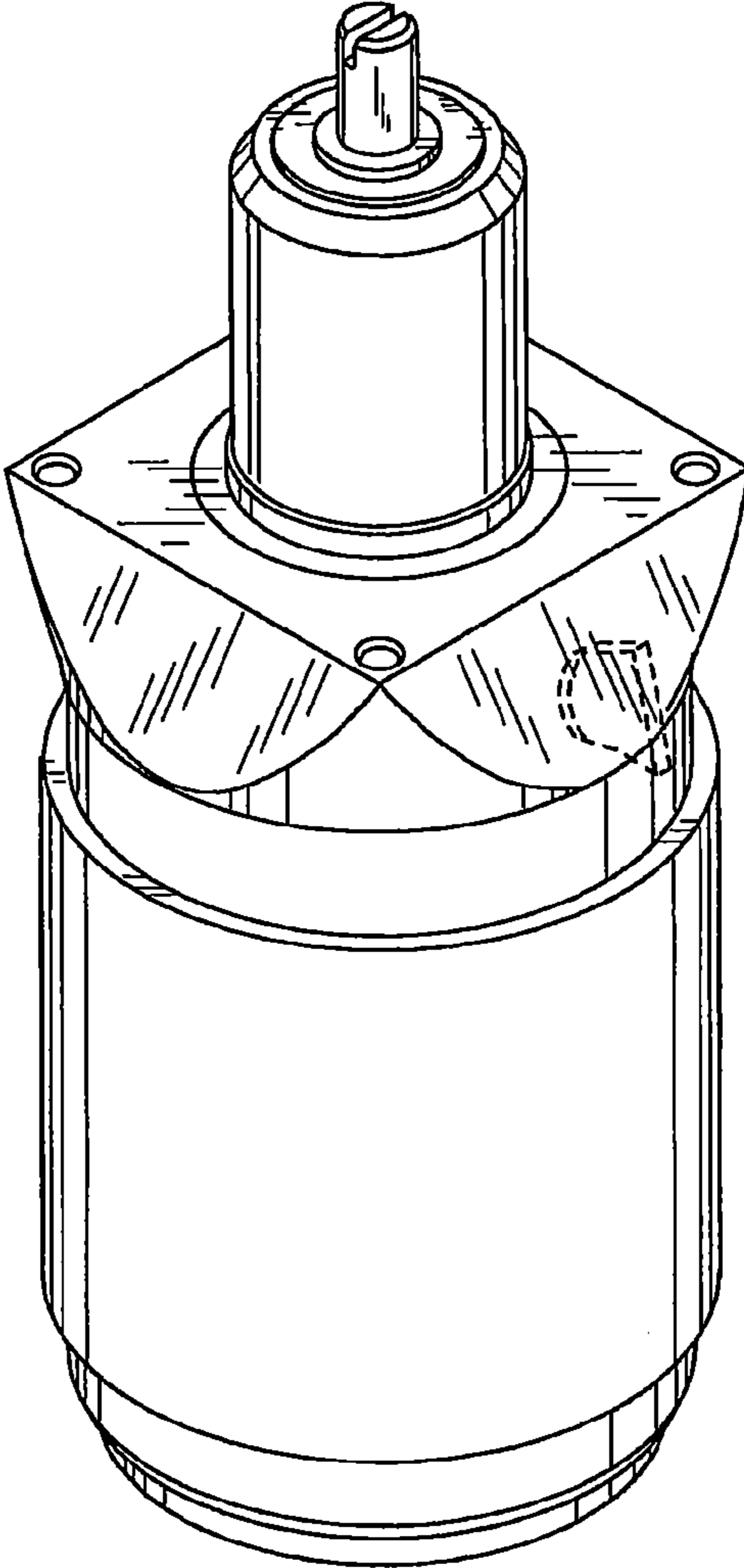


Fig. 2

Fig. 3

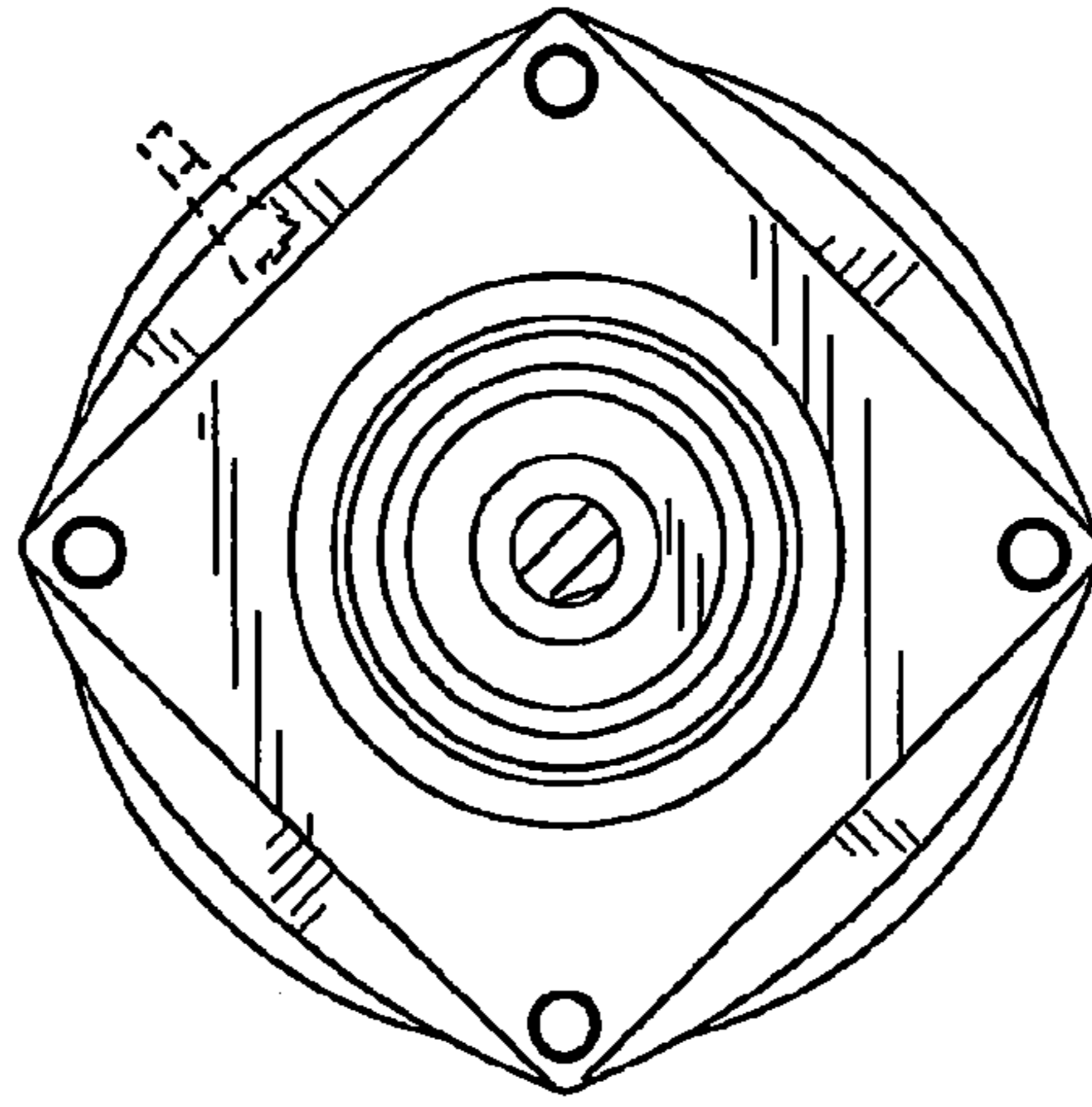


Fig. 4

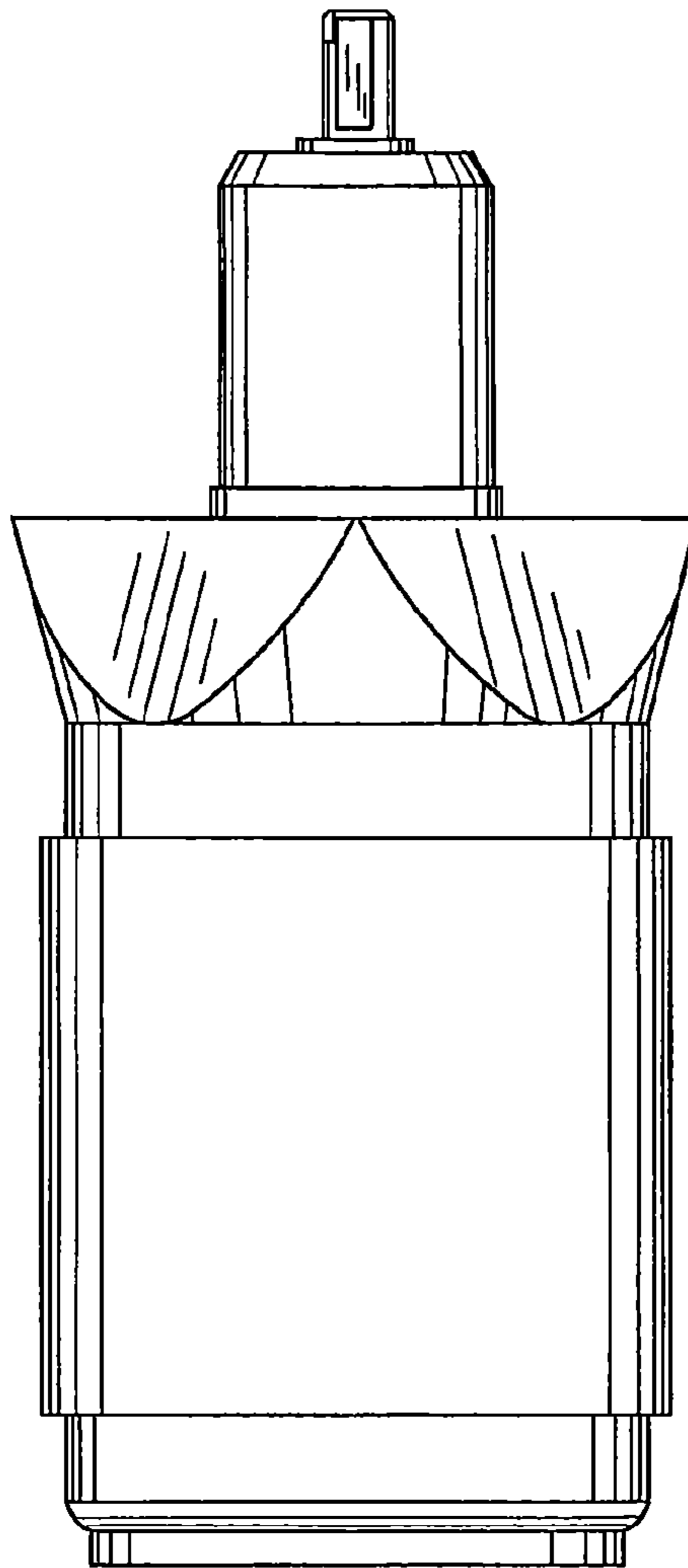


Fig. 5

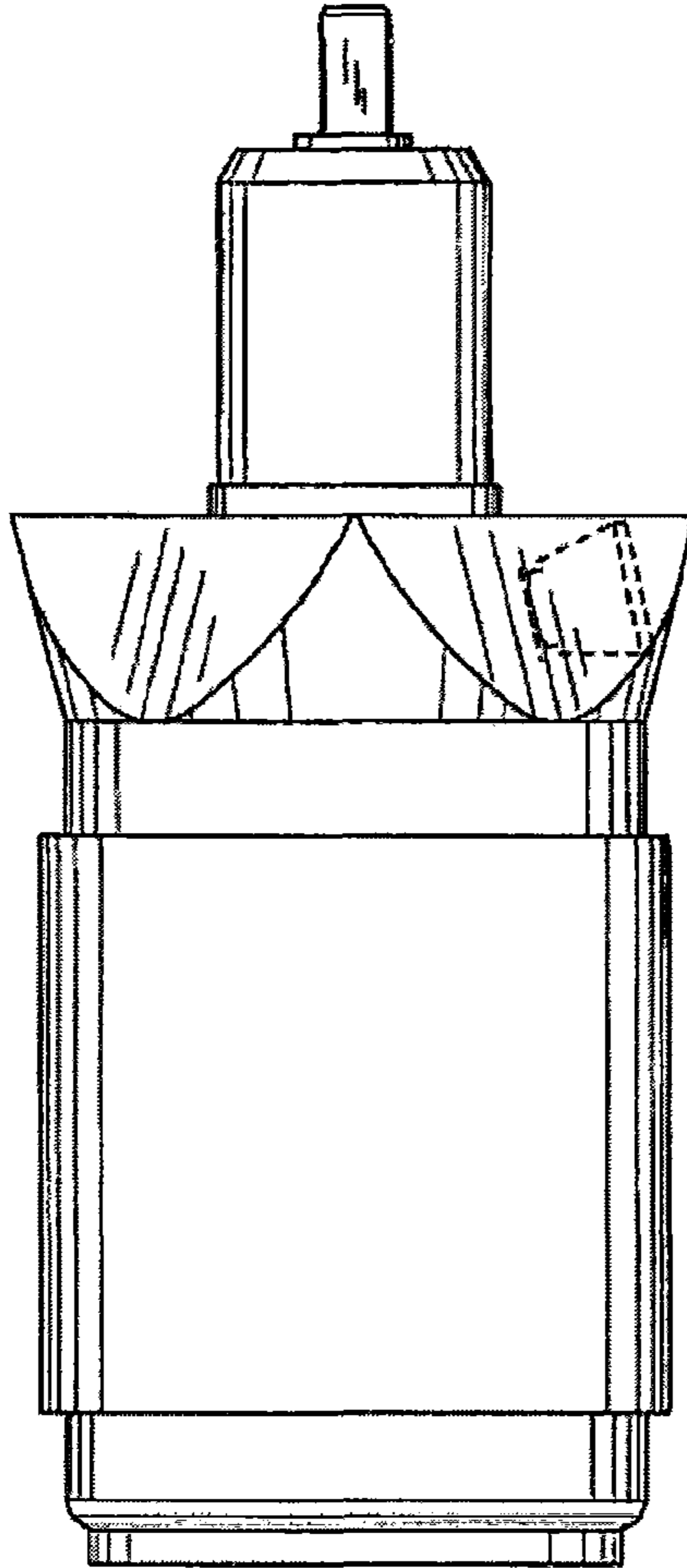
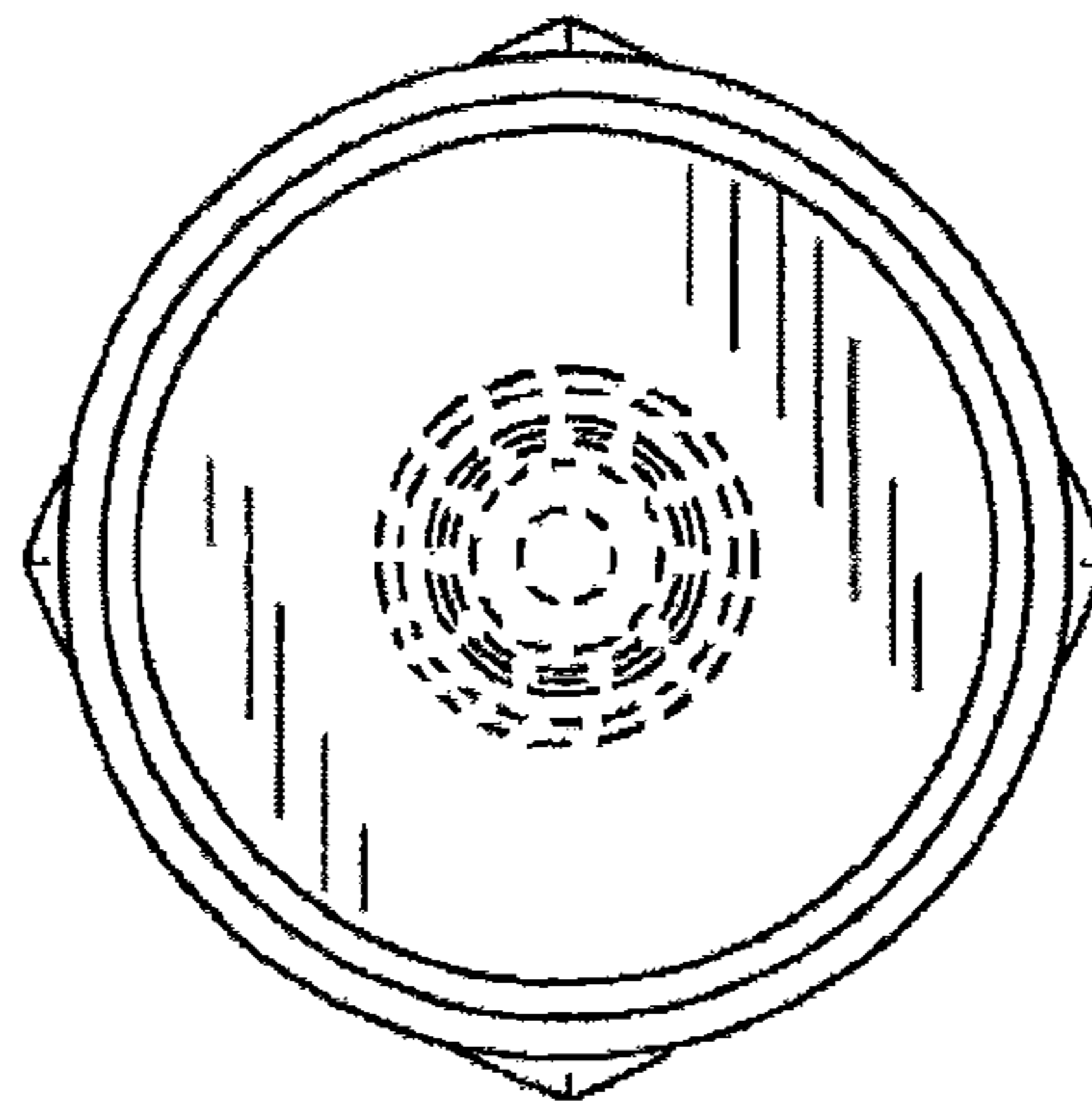


Fig. 6



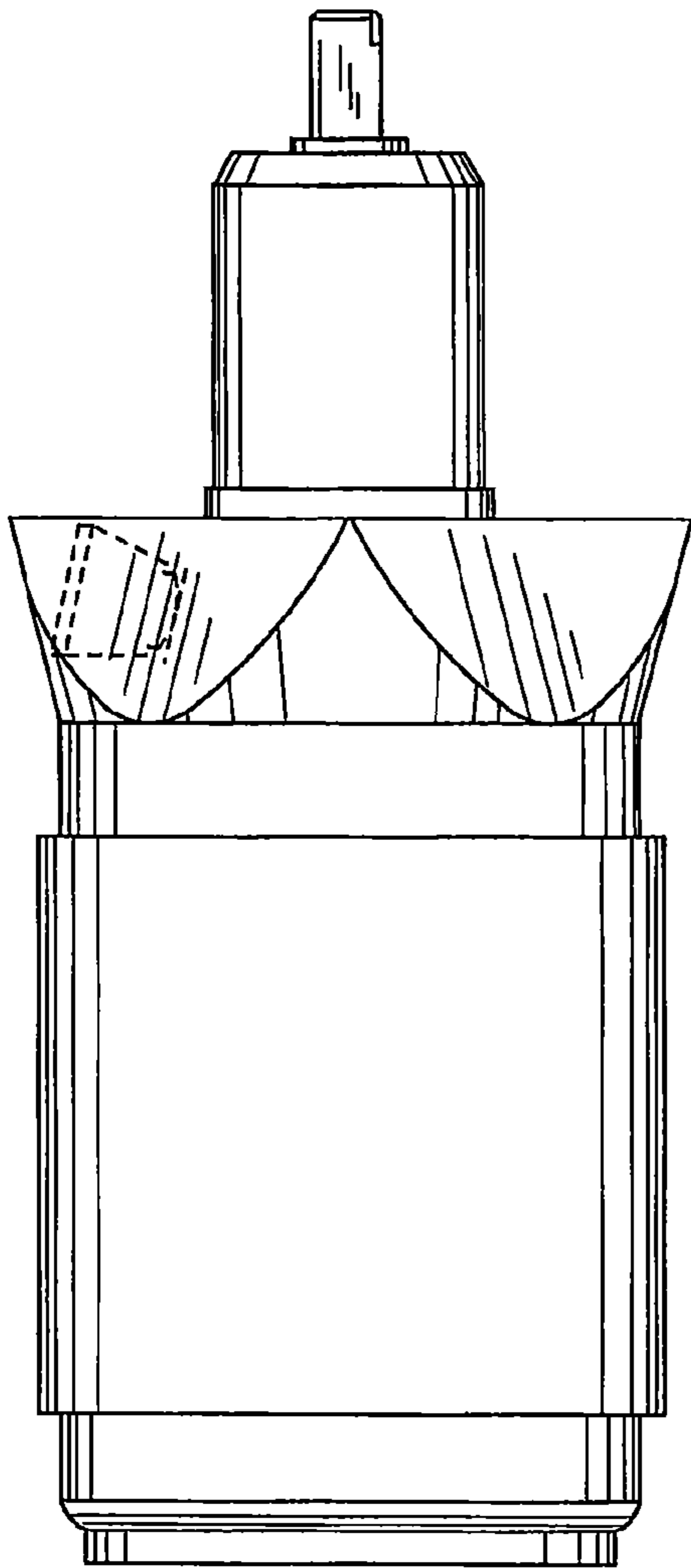


Fig. 7

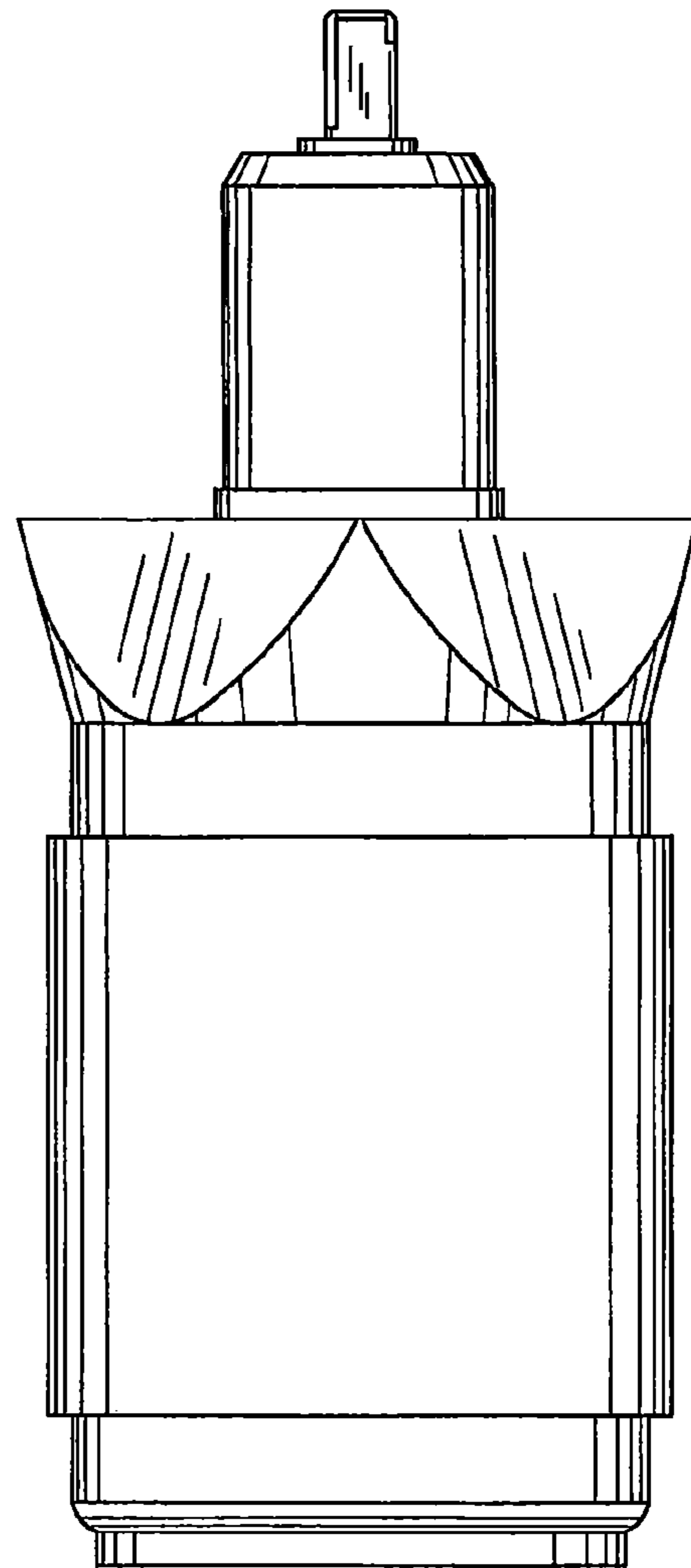


Fig. 8