



US00D633043S

(12) **United States Design Patent**
Wada

(10) **Patent No.:** **US D633,043 S**
(45) **Date of Patent:** **** Feb. 22, 2011**

(54) **SEALING ELEMENT**

(75) Inventor: **Seiji Wada**, Moriguchi (JP)

(73) Assignee: **Panasonic Corporation**, Osaka (JP)

(**) Term: **14 Years**

(21) Appl. No.: **29/306,934**

(22) Filed: **Apr. 18, 2008**

(51) **LOC (9) Cl.** **13-02**

(52) **U.S. Cl.** **D13/121**

(58) **Field of Classification Search** D13/103–106,
D13/118–121, 133, 156, 184, 199; D11/220;
D9/434, 435, 447, 454, 499; 429/178, 180,
429/181, 1; 222/206, 211, 525; 24/108,
24/662, 672, 677, 681; 439/500, 775, 799,
439/816–818, 834, 848, 856, 857, 859, 860
See application file for complete search history.

(56) **References Cited**

U.S. PATENT DOCUMENTS

D19,835 S *	5/1890	Hahn	D9/454
D27,538 S *	8/1897	Richardson	D11/220
D34,535 S *	5/1901	Pringle	D11/220
1,248,768 A *	12/1917	Willard	429/180
1,263,500 A *	4/1918	Willard	429/180
1,733,875 A *	10/1929	Guslusky	222/211
1,977,972 A *	10/1934	Reetz	429/65
2,013,219 A *	9/1935	Peterson	429/65
2,687,448 A *	8/1954	Gulick et al.	429/86
2,901,527 A *	8/1959	Mocas	429/180
D214,379 S *	6/1969	Wolf et al.	D13/119
D220,755 S *	5/1971	Zundel	D9/454
4,284,211 A *	8/1981	Meshberg	222/182
D279,650 S *	7/1985	Aldrich et al.	D9/529
D281,583 S *	12/1985	Cafiero et al.	D9/437
D329,200 S *	9/1992	Collins	D9/454

(Continued)

FOREIGN PATENT DOCUMENTS

JP D730544 4/1988

JP D755511 2/1989
JP D755511/1 6/1989

(Continued)

Primary Examiner—Rosemary K Tarcza

(74) *Attorney, Agent, or Firm*—Brinks Hofer Gilson & Lione

(57) **CLAIM**

I claim the ornamental design for a sealing element, as shown and described.

DESCRIPTION

FIG. 1 is a bottom perspective view of a first embodiment of a sealing element of the present invention;

FIG. 2 is a front view thereof;

FIG. 3 is a rear view thereof;

FIG. 4 is a right side view thereof, the left side view being a mirror image thereof;

FIG. 5 is a top view thereof;

FIG. 6 is a bottom view thereof;

FIG. 7 is a cross-section view taken along the line 7—7 of FIG. 2;

FIG. 8 is a bottom perspective view of a second embodiment of a sealing element of the present invention;

FIG. 9 is a front view thereof;

FIG. 10 is a rear view thereof;

FIG. 11 is a right side view thereof, the left side view being a mirror image thereof;

FIG. 12 is a top view thereof;

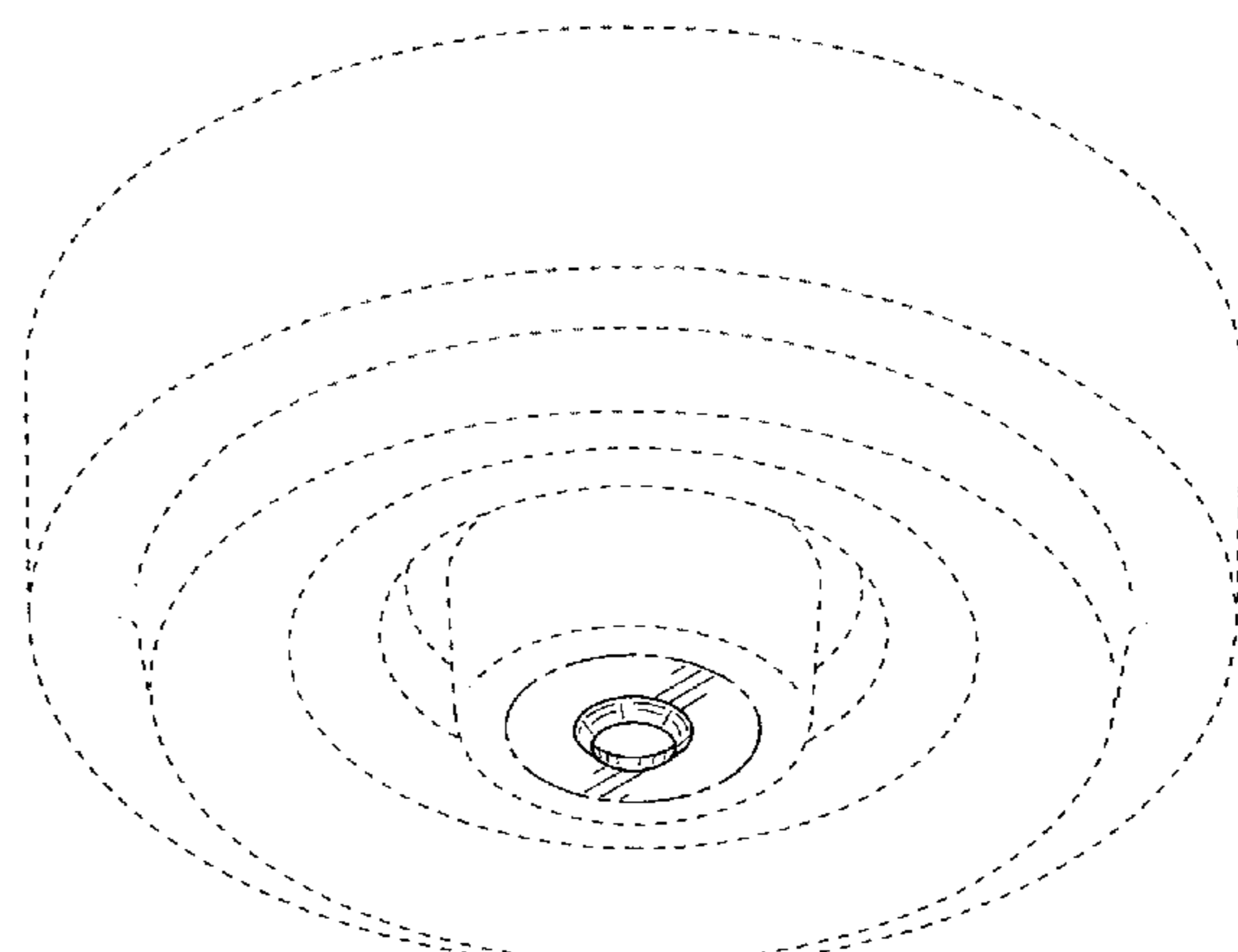
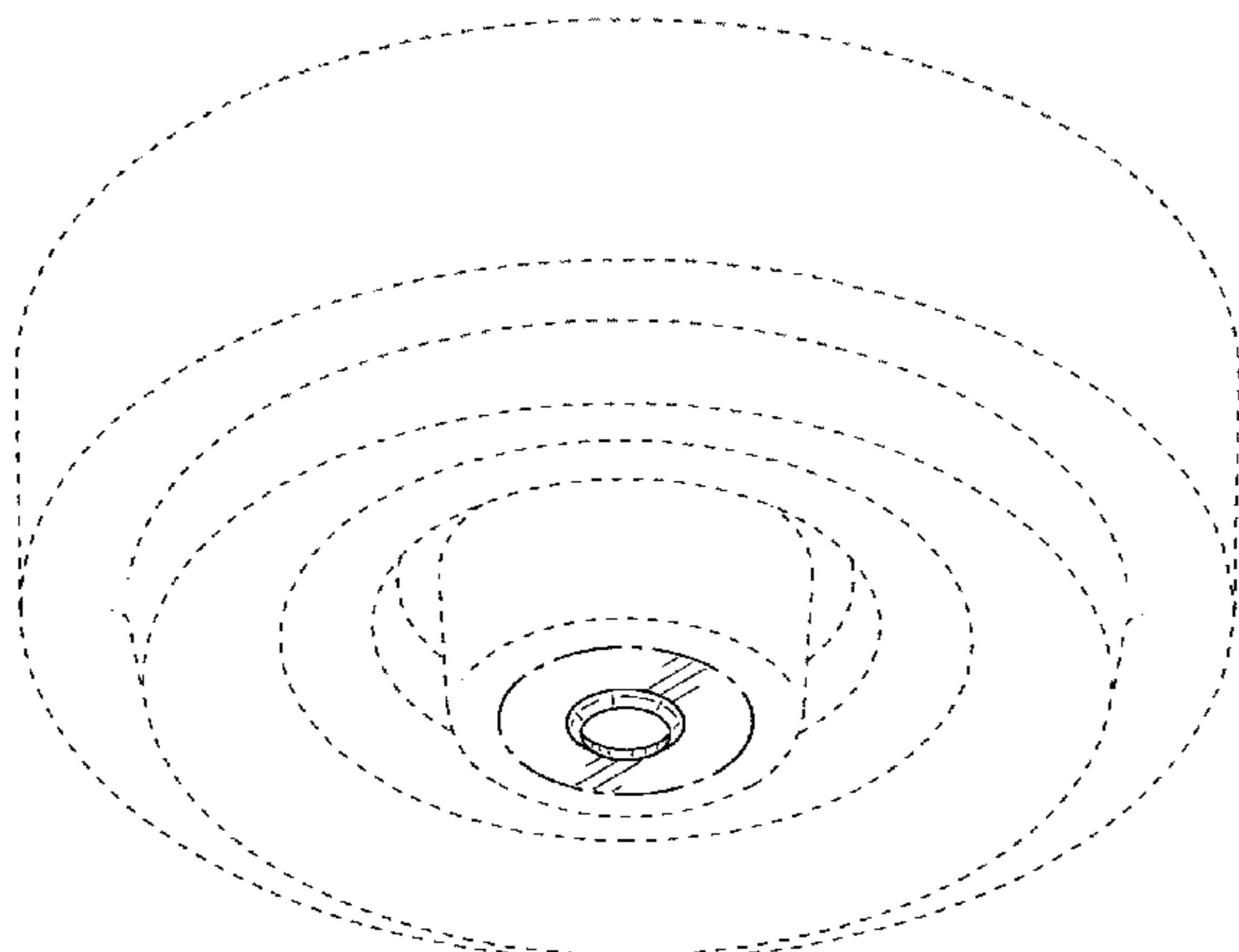
FIG. 13 is a bottom view thereof; and,

FIG. 14 is a cross-section view taken along the line 14—14 of FIG. 9.

The broken line showing of sealing element is included for the purpose of illustrating environment and forms no part of the claimed design.

Additionally, the unevenly broken lines in the drawings define the boundaries of the claimed design and form no part of the claimed design.

1 Claim, 14 Drawing Sheets



US D633,043 S

Page 2

U.S. PATENT DOCUMENTS

D357,458 S * 4/1995 Tisbo D13/118
D363,429 S * 10/1995 Lee D9/454
D401,901 S * 12/1998 Bunyea et al. D13/119
D413,858 S * 9/1999 Murakami et al. D13/103
D417,847 S * 12/1999 Rush et al. D9/454
D448,669 S * 10/2001 Carducci et al. D9/454
D472,209 S * 3/2003 Wada et al. D13/120
D472,210 S * 3/2003 Tada et al. D13/120
D476,232 S * 6/2003 Maus et al. D9/449
D476,293 S * 6/2003 Tada et al. D13/103
D476,294 S * 6/2003 Yamamoto et al. D13/103
D481,654 S * 11/2003 Matsui et al. D11/220
6,766,922 B2 * 7/2004 da Silva 222/211
6,790,076 B1 * 9/2004 Patterson 439/500
D509,738 S * 9/2005 Kovara et al. D9/454
D517,947 S * 3/2006 Hollingworth et al. D11/220
D524,242 S * 7/2006 Adams et al. D13/103
7,157,182 B2 * 1/2007 Wada et al. 429/178
D539,216 S * 3/2007 Hamaguchi D13/103
D540,677 S * 4/2007 Stull D9/449

D548,698 S * 8/2007 Eto et al. D13/120
D551,550 S * 9/2007 Noonan D9/454
D551,616 S * 9/2007 Shimizu D13/103
D552,992 S * 10/2007 Spencer D9/454
D598,749 S * 8/2009 Maxwell D9/447
D598,755 S * 8/2009 Bull D9/454
D619,004 S * 7/2010 Fallat et al. D9/454
D619,092 S * 7/2010 Eilertsen et al. D13/120
D619,093 S * 7/2010 Eilertsen et al. D13/120
D623,518 S * 9/2010 Camomile D9/454
2003/0022061 A1 * 1/2003 Duprey et al. 429/174

FOREIGN PATENT DOCUMENTS

JP D857601 1/1993
JP D944212 1/1996
JP D980538 5/1997
JP D989869 9/1997
JP D1056833 12/1999
JP D1218581 9/2004

* cited by examiner

FIG.1

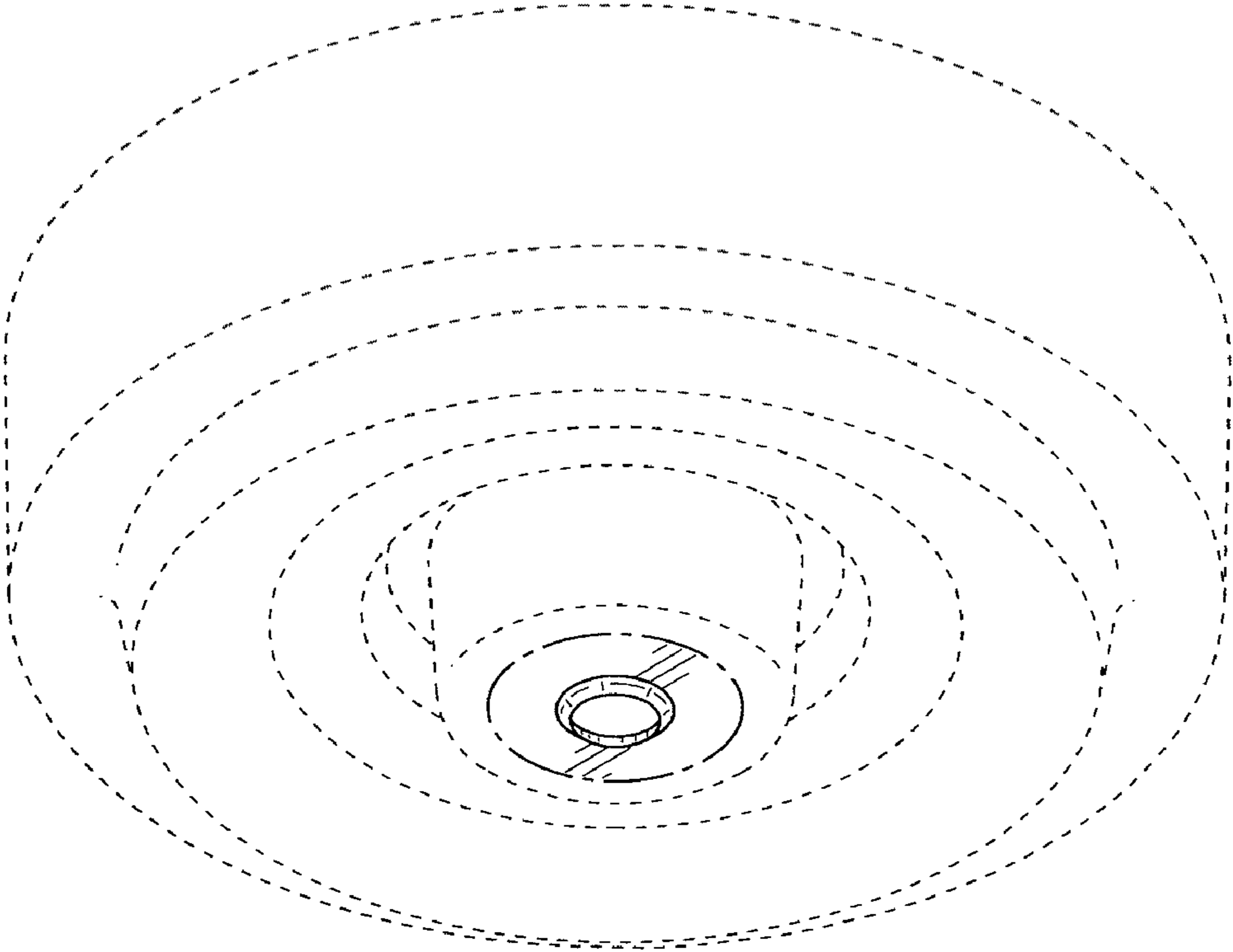
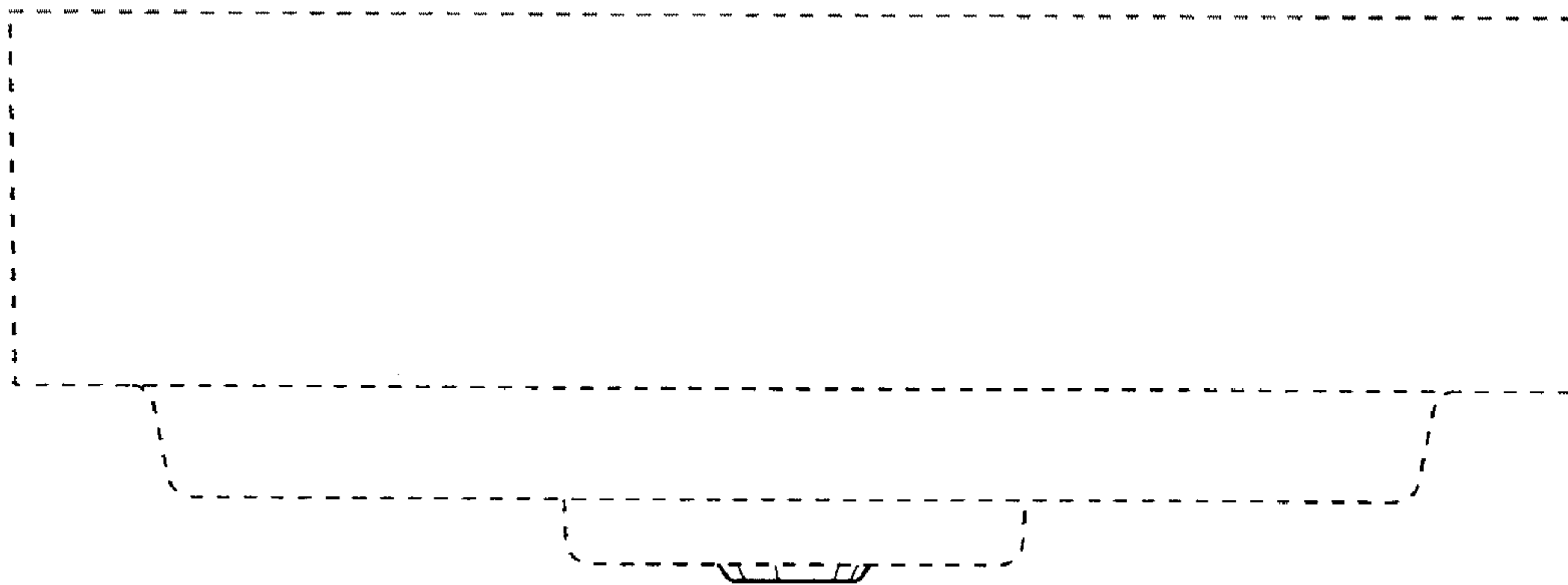


FIG.2

7 ←



7 ←

FIG.3

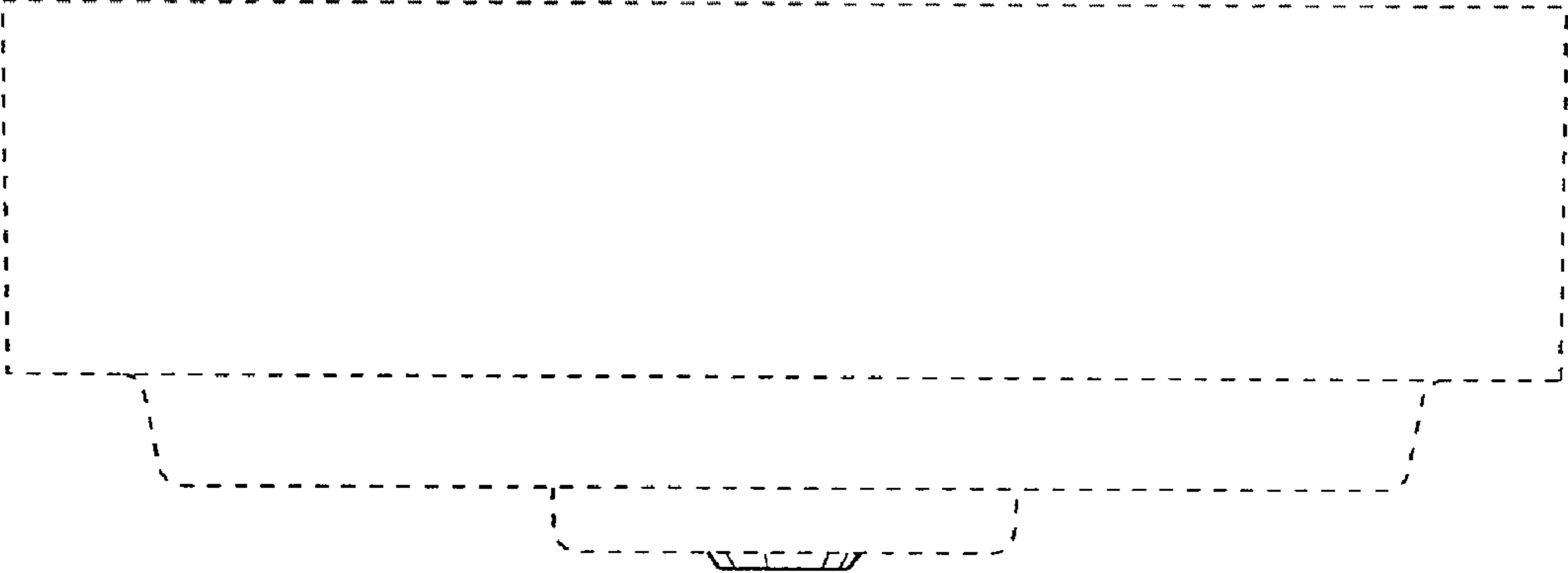


FIG.4

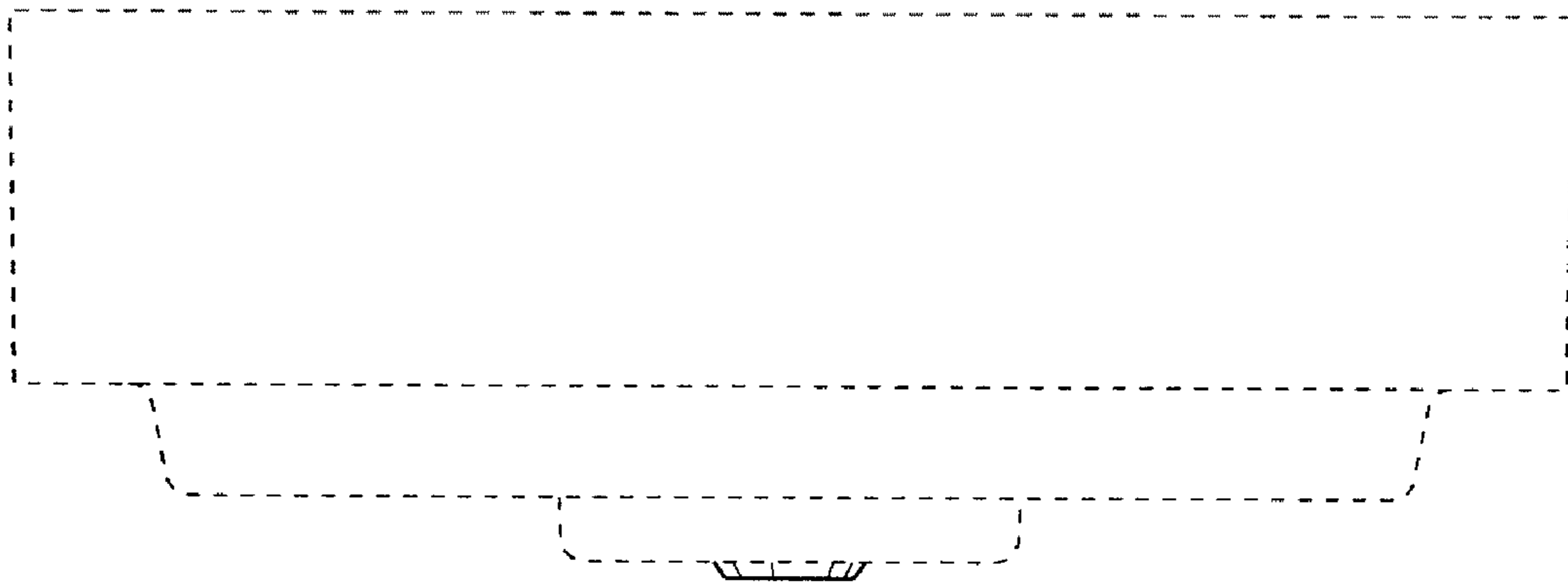


FIG.5

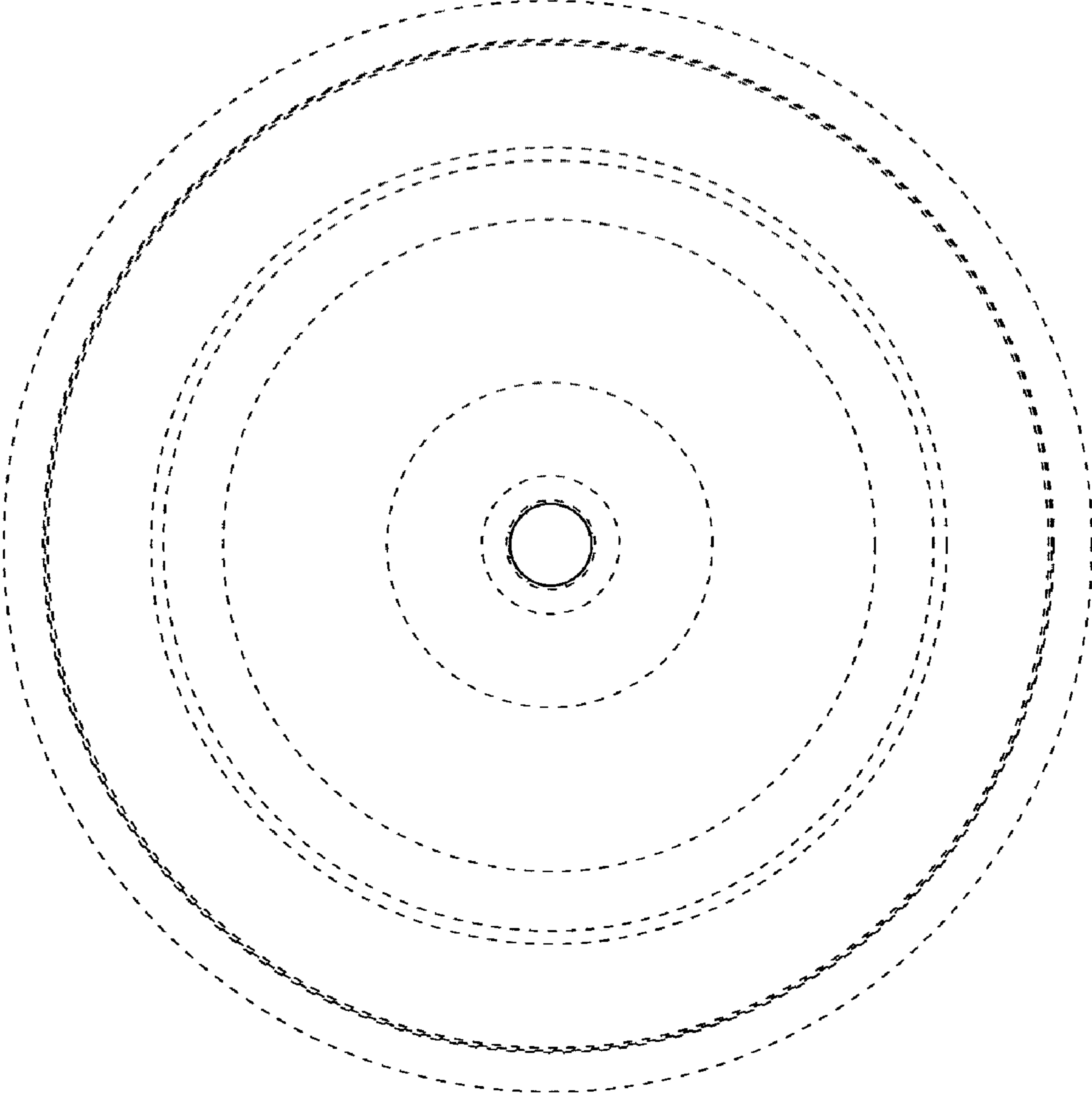


FIG.6

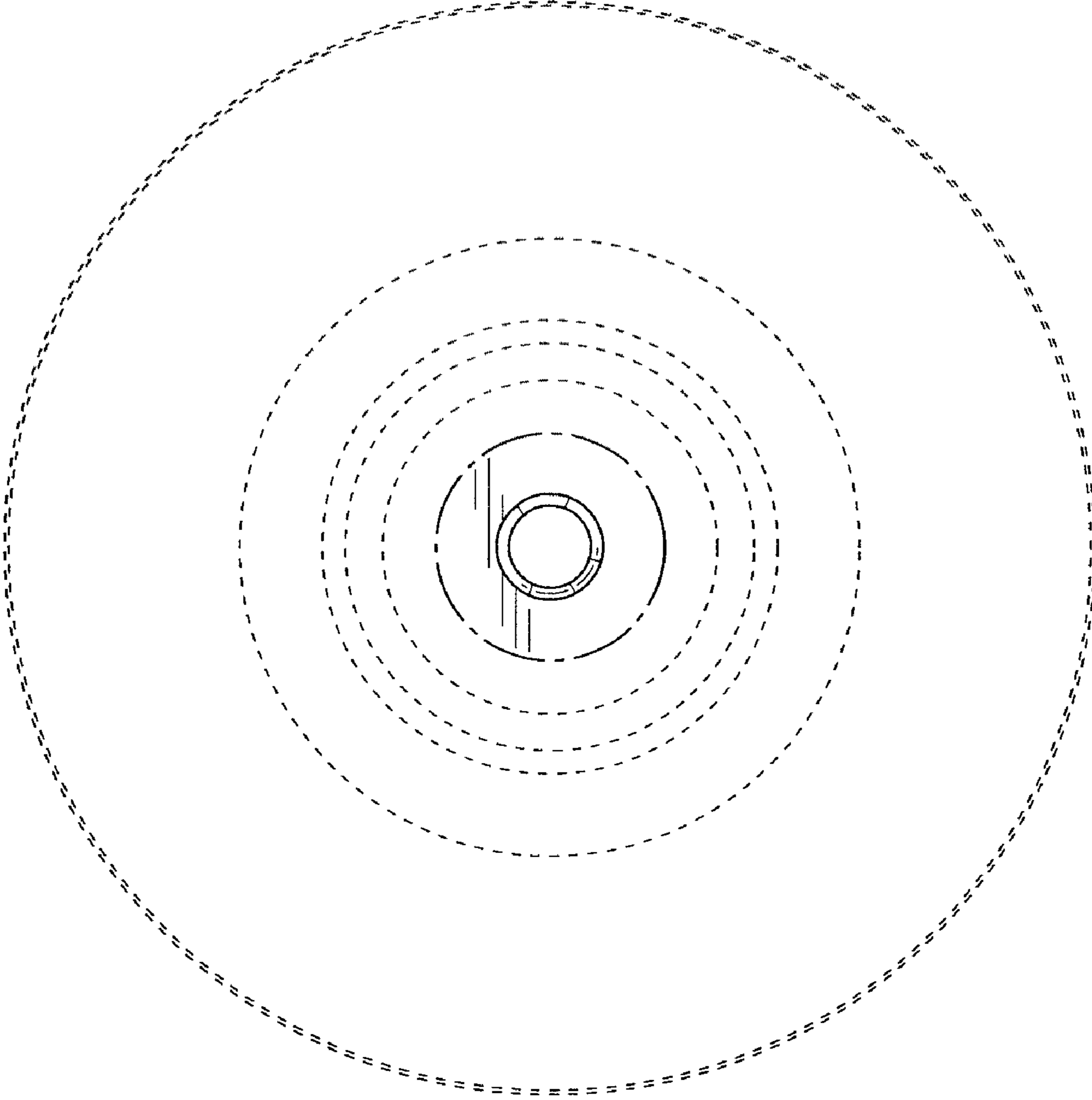


FIG.7

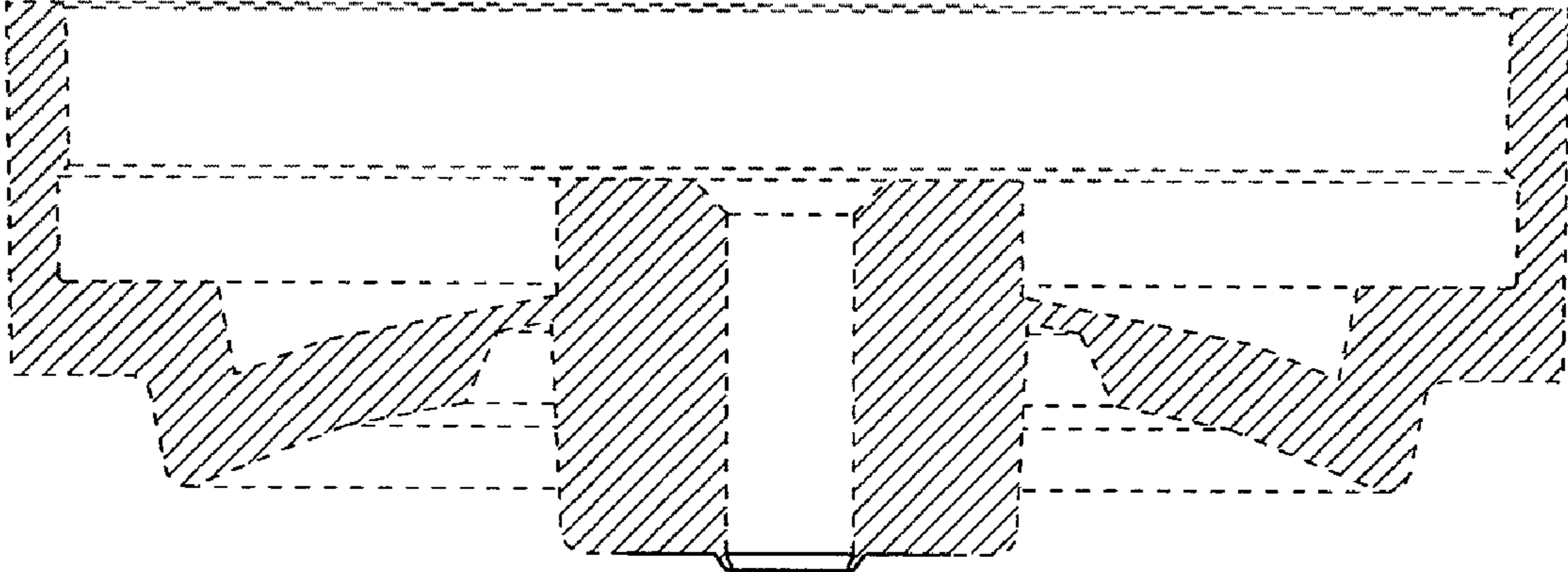


FIG.8

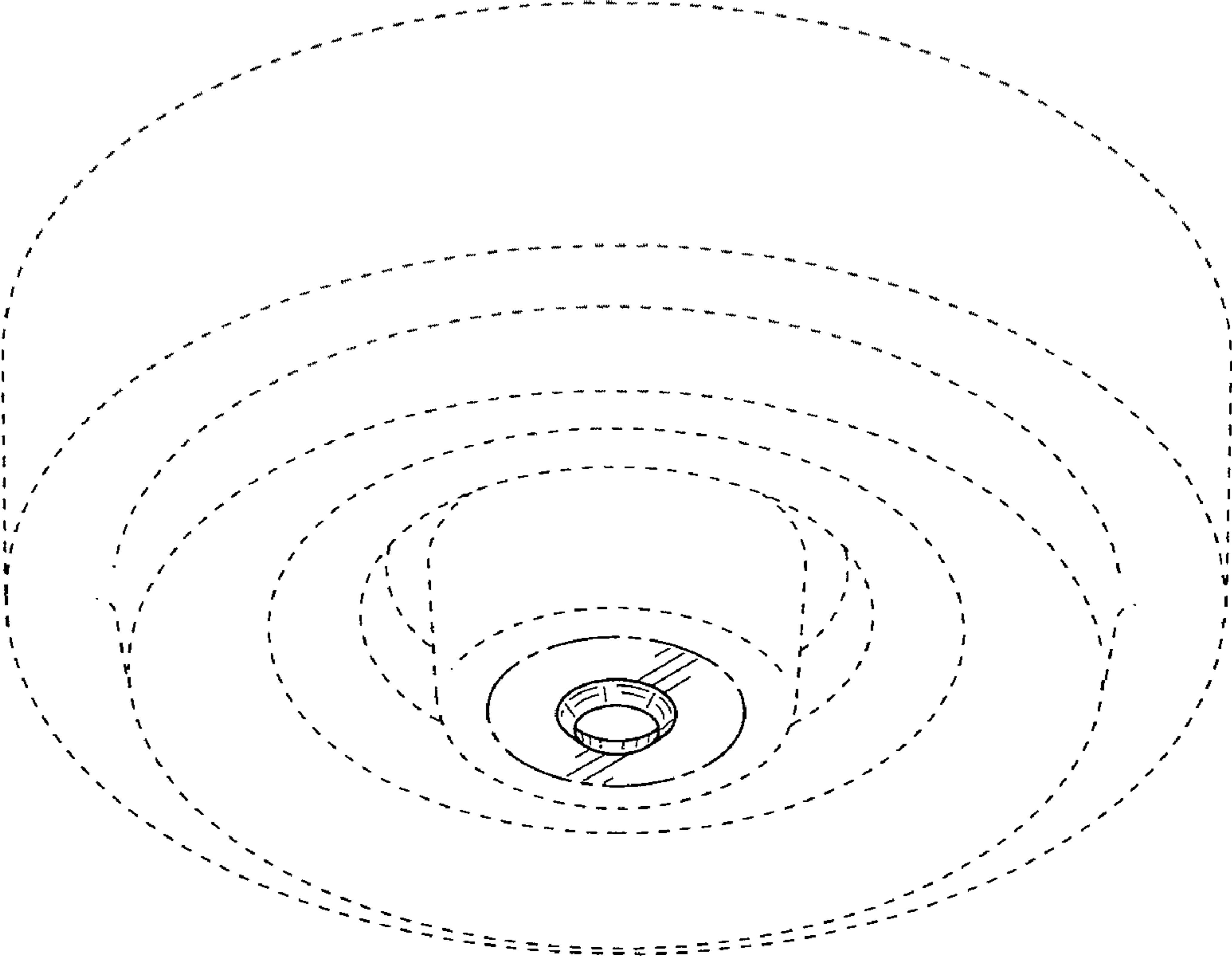


FIG.9

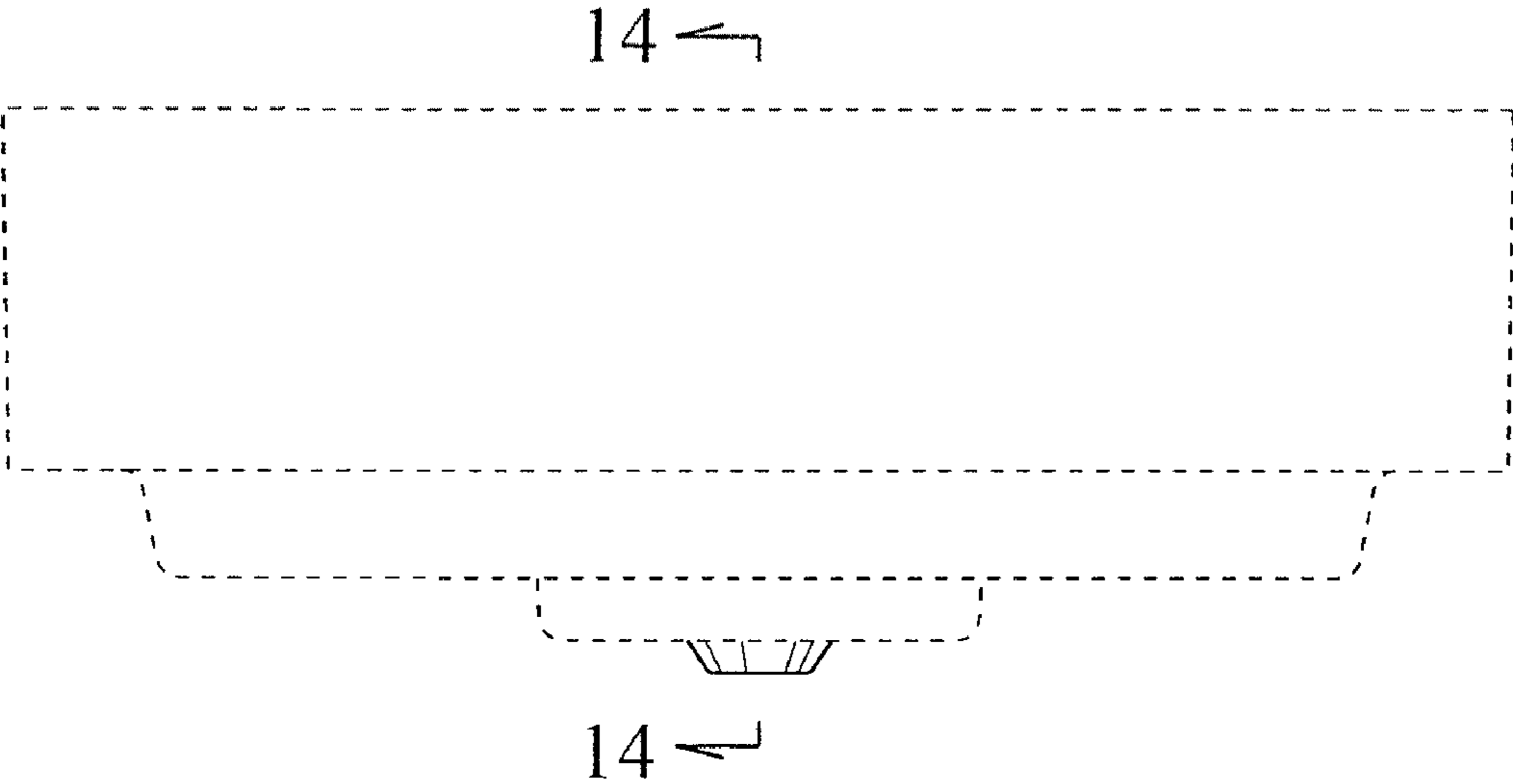


FIG. 10

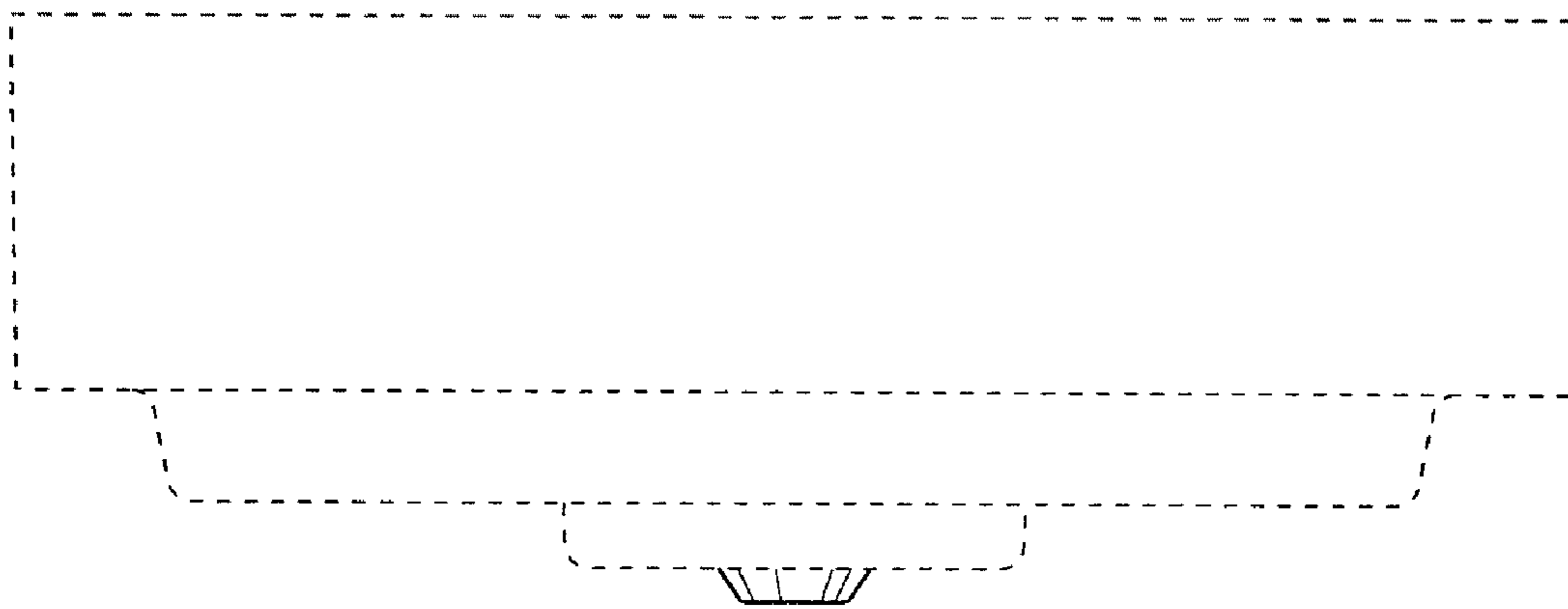


FIG.11

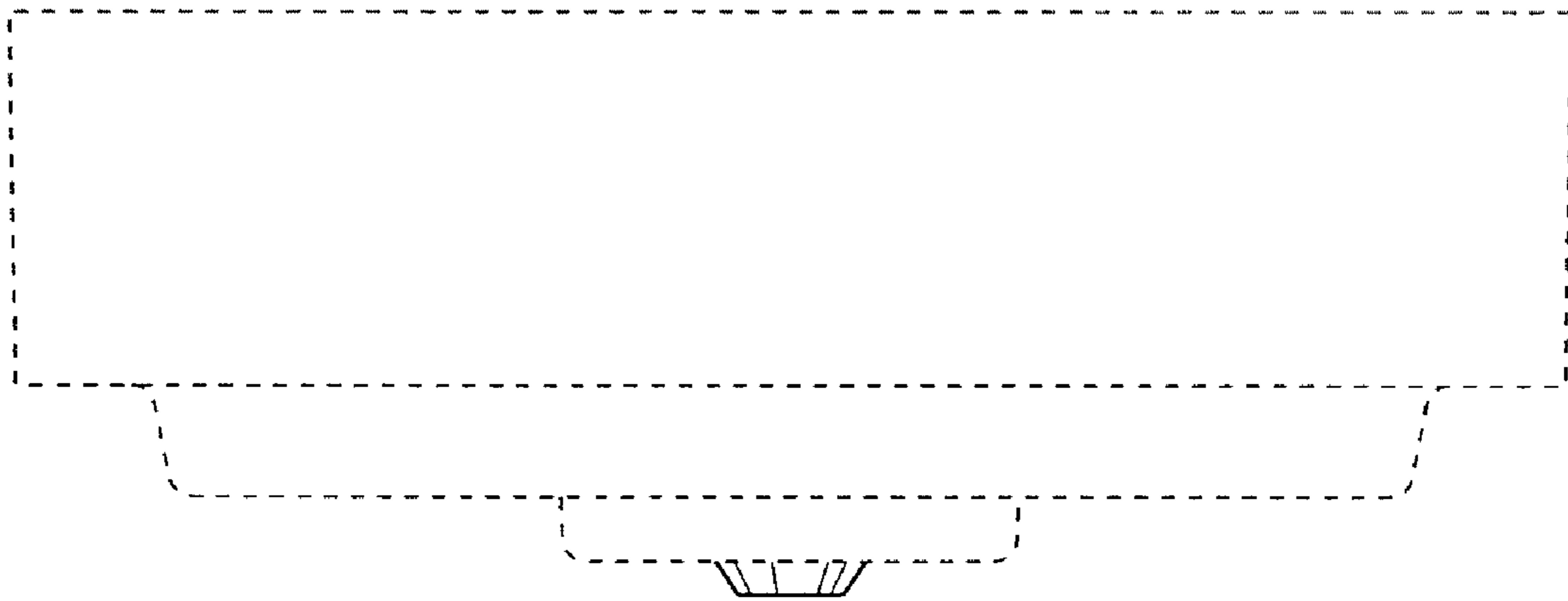


FIG.12

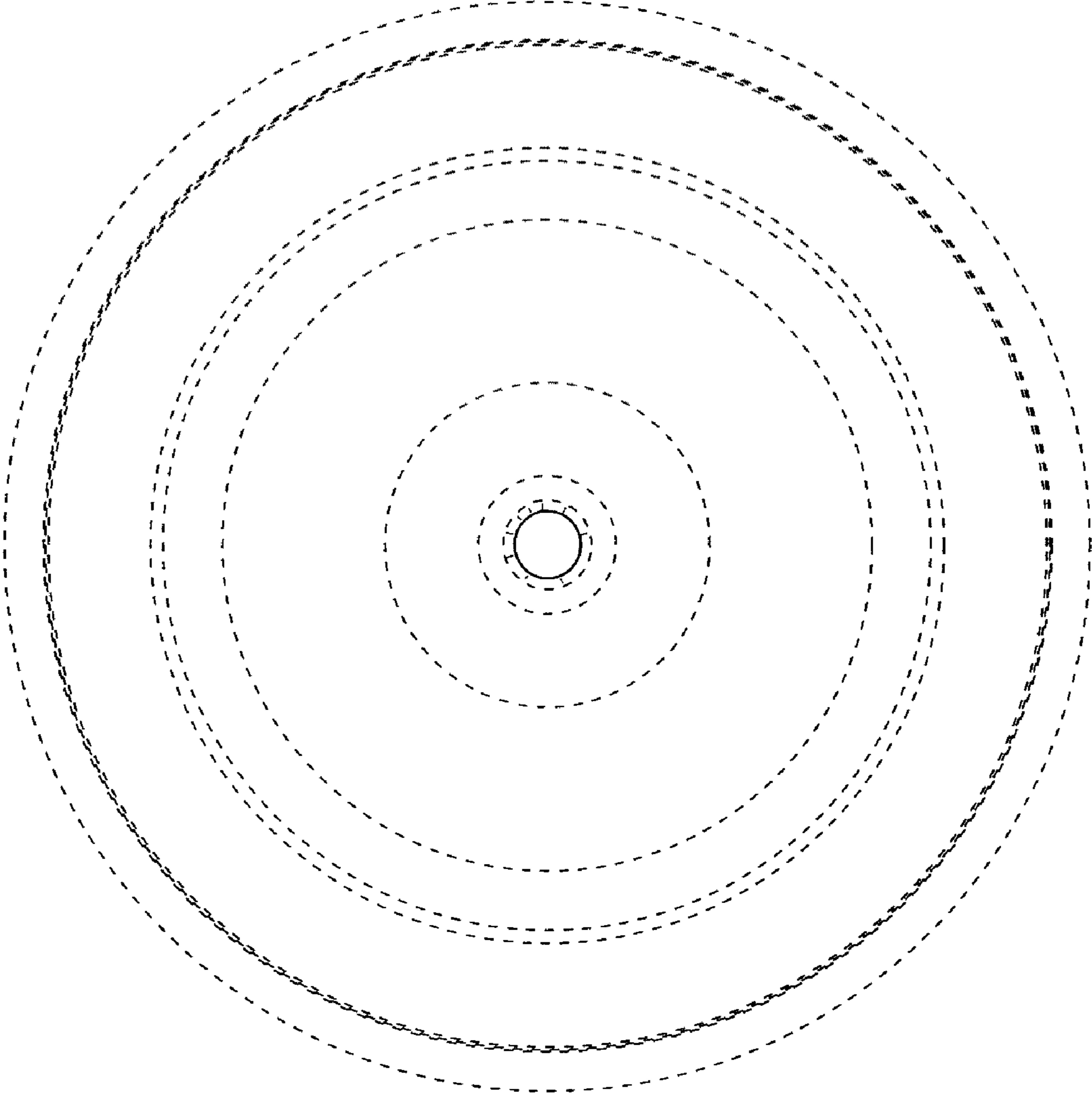


FIG.13

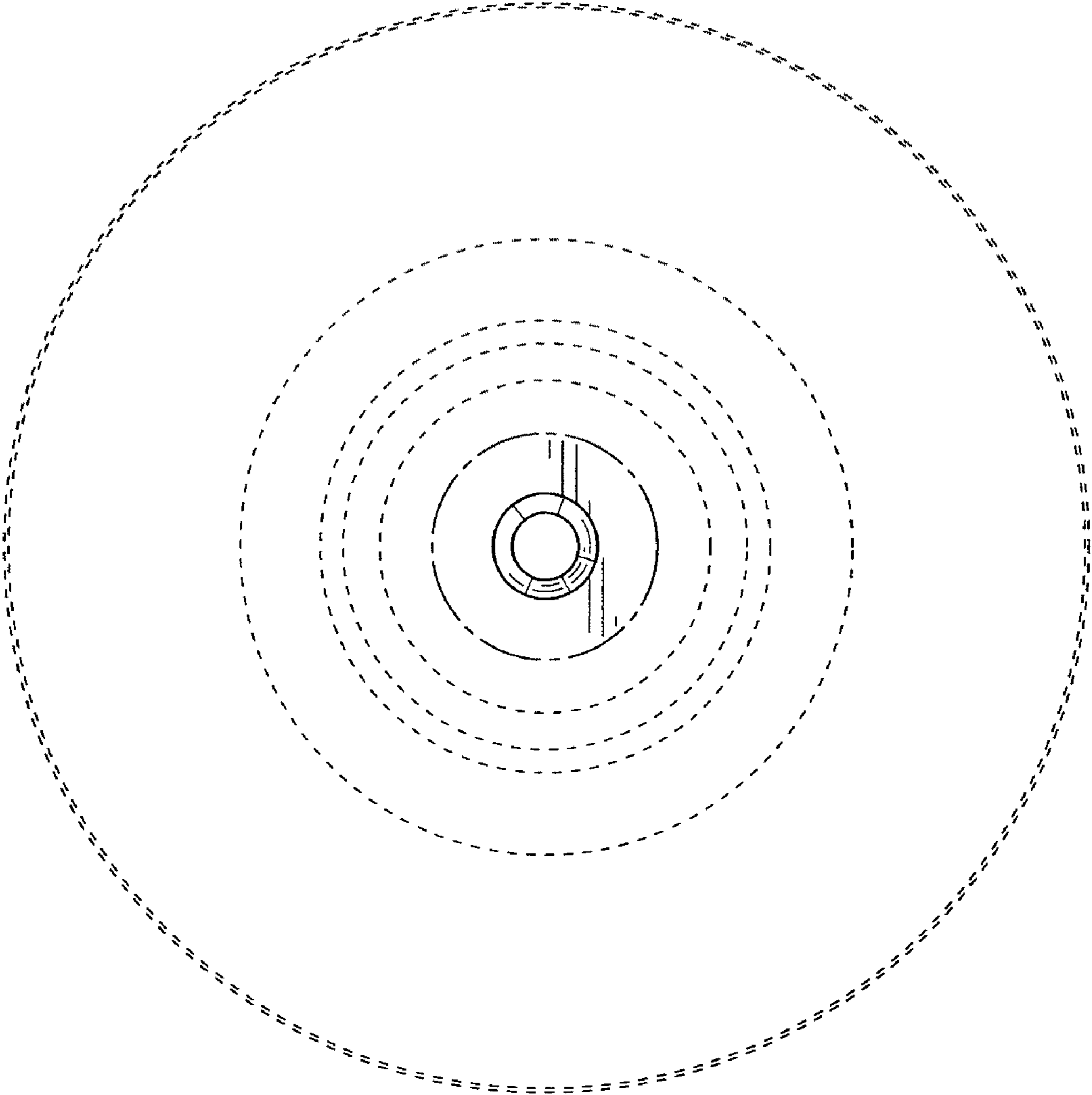


FIG.14

