



US00D633041S

(12) **United States Design Patent**
Au Yeung

(10) **Patent No.:** **US D633,041 S**

(45) **Date of Patent:** **** Feb. 22, 2011**

(54) **PORTABLE USB CHARGER**

(75) Inventor: **Kwok Keung Au Yeung**, New Territories (HK)

(73) Assignee: **Ariel Premium Supply, Inc.**, St. Louis, MO (US)

(**) Term: **14 Years**

(21) Appl. No.: **29/363,380**

(22) Filed: **Jun. 8, 2010**

(51) **LOC (9) Cl.** **13-02**

(52) **U.S. Cl.** **D13/108**

(58) **Field of Classification Search** D13/107-110,
D13/118-119, 184; D14/251, 253, 432,
D14/434, 435.1; 320/107-115

See application file for complete search history.

(56) **References Cited**

U.S. PATENT DOCUMENTS

| | | | | |
|--------------|---------|----------------|-------|---------|
| D482,653 S * | 11/2003 | Cho | | D13/110 |
| D482,654 S * | 11/2003 | Shor et al. | | D13/110 |
| D483,721 S * | 12/2003 | Kim et al. | | D13/110 |
| D543,934 S * | 6/2007 | Kang et al. | | D13/107 |
| D543,935 S * | 6/2007 | Ke | | D13/107 |
| D556,683 S * | 12/2007 | Bonanno | | D13/110 |
| D572,655 S * | 7/2008 | Osiecki et al. | | D13/107 |

* cited by examiner

Primary Examiner—Rosemary K Tarca

(74) *Attorney, Agent, or Firm*—Intellectual Property Law Group LLP; Juneko Jackson; Otto O. Lee

(57) **CLAIM**

The ornamental design for a portable USB charger, as shown and described.

DESCRIPTION

FIG. 1 is a front, top, right side perspective view of a portable USB charger embodying my new design;

FIG. 2 is a rear, bottom, left side perspective view thereof;

FIG. 3 is a front elevational view thereof;

FIG. 4 is a rear elevational view thereof;

FIG. 5 is a right side elevational view thereof;

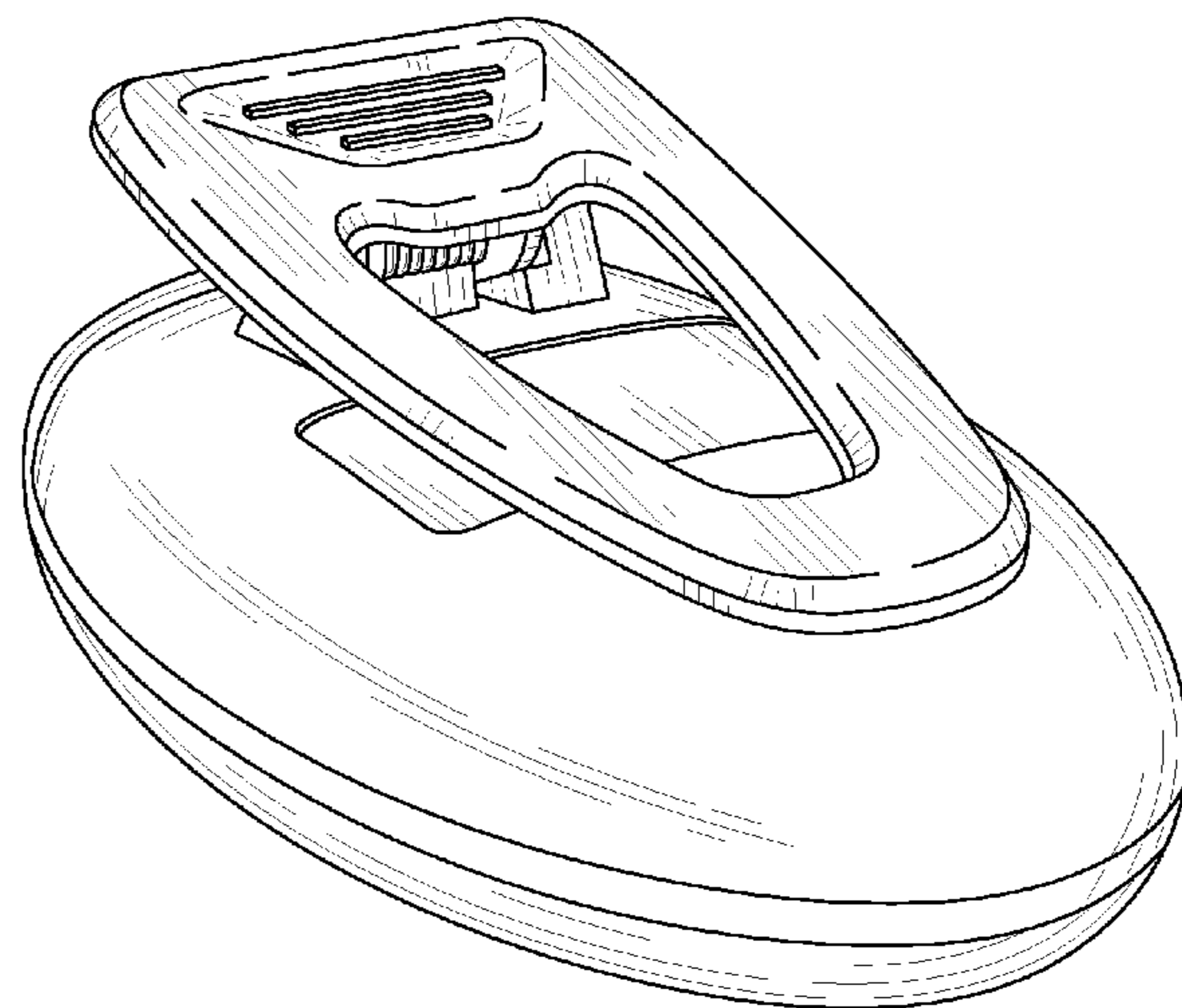
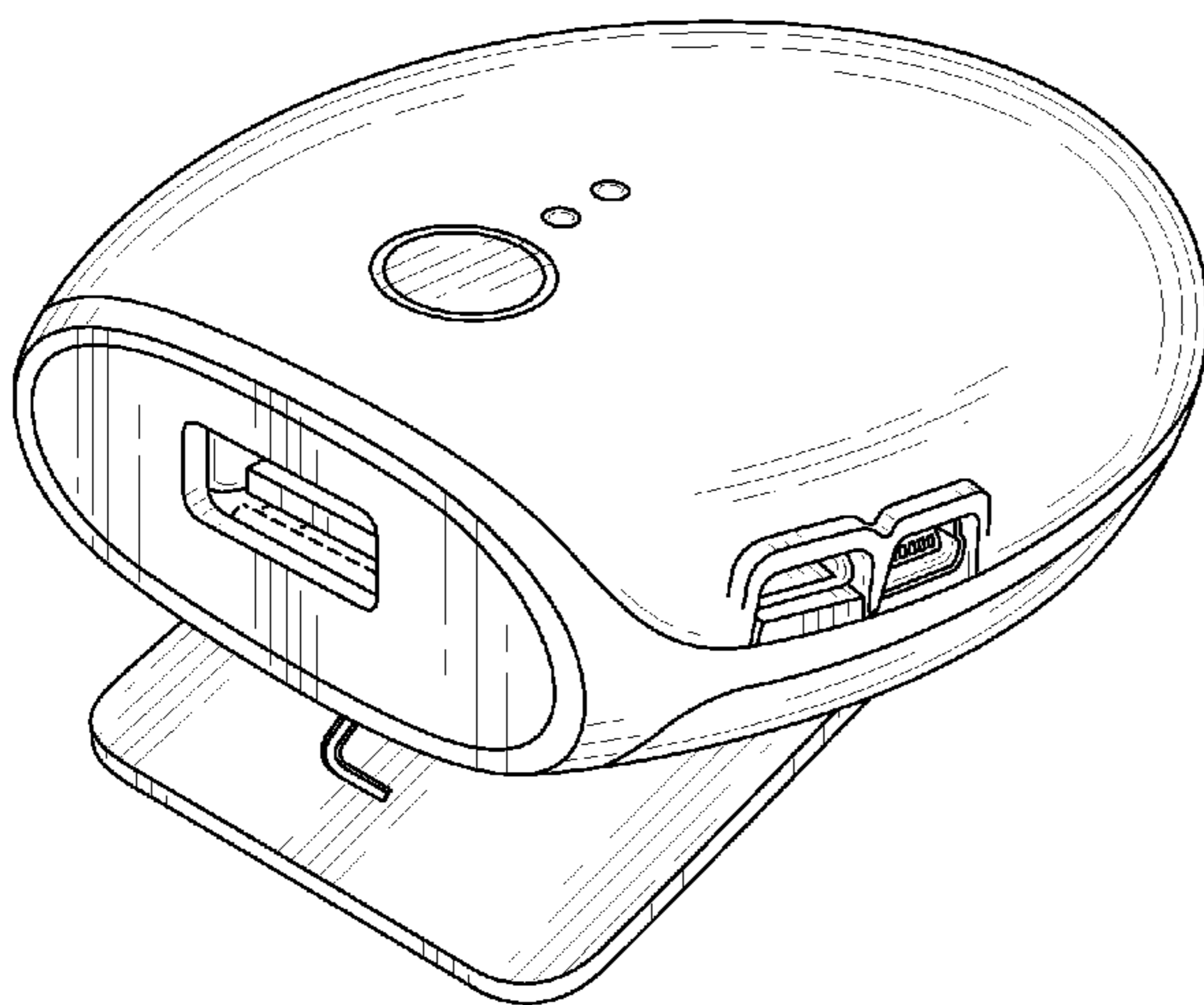
FIG. 6 is a left side elevational view thereof;

FIG. 7 is a top plan view thereof; and,

FIG. 8 is a bottom plan view thereof.

The broken lines shown in the drawings are included for the purpose of illustrating environmental structure and form no part of the claimed design.

1 Claim, 3 Drawing Sheets



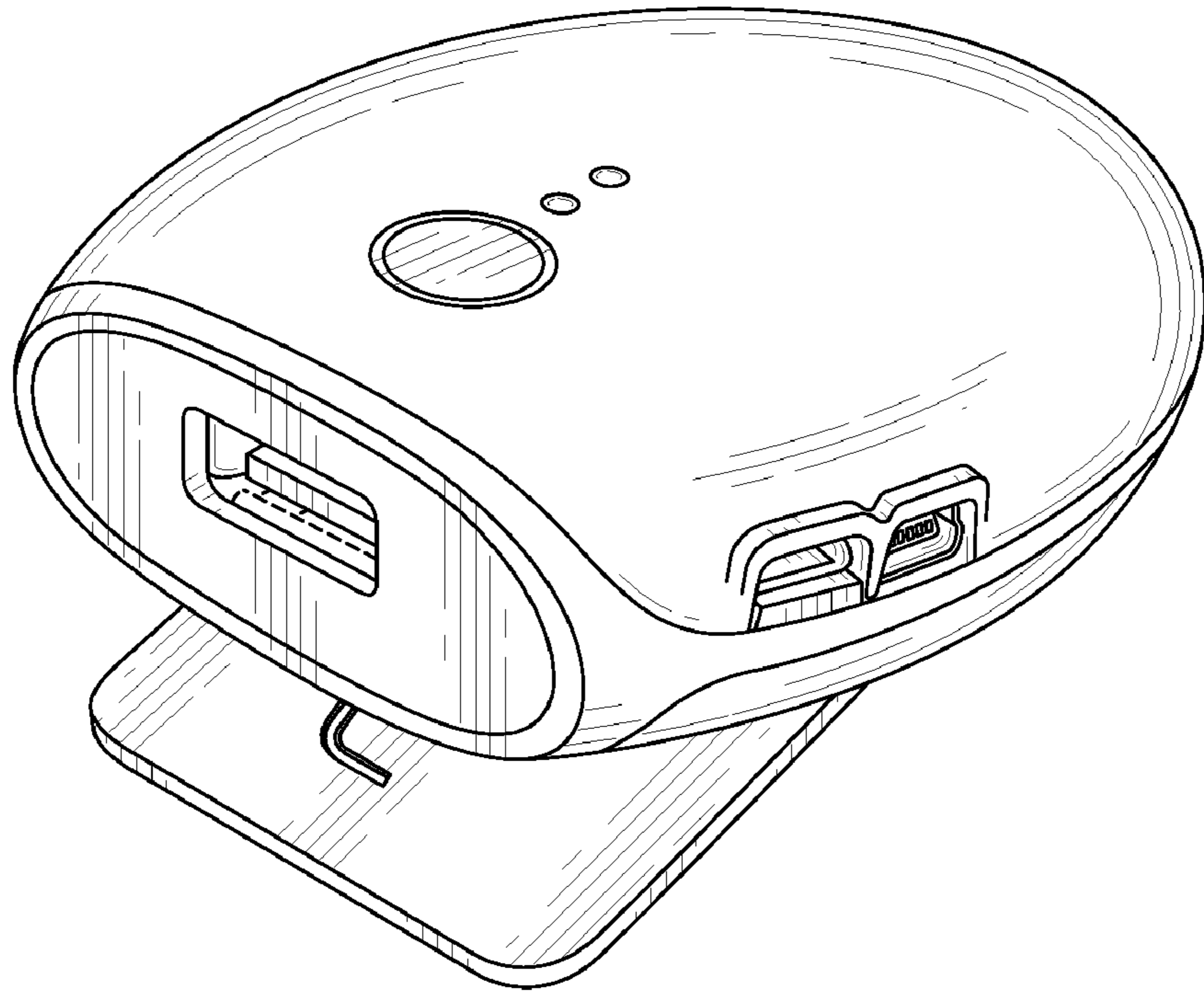


FIG. 1

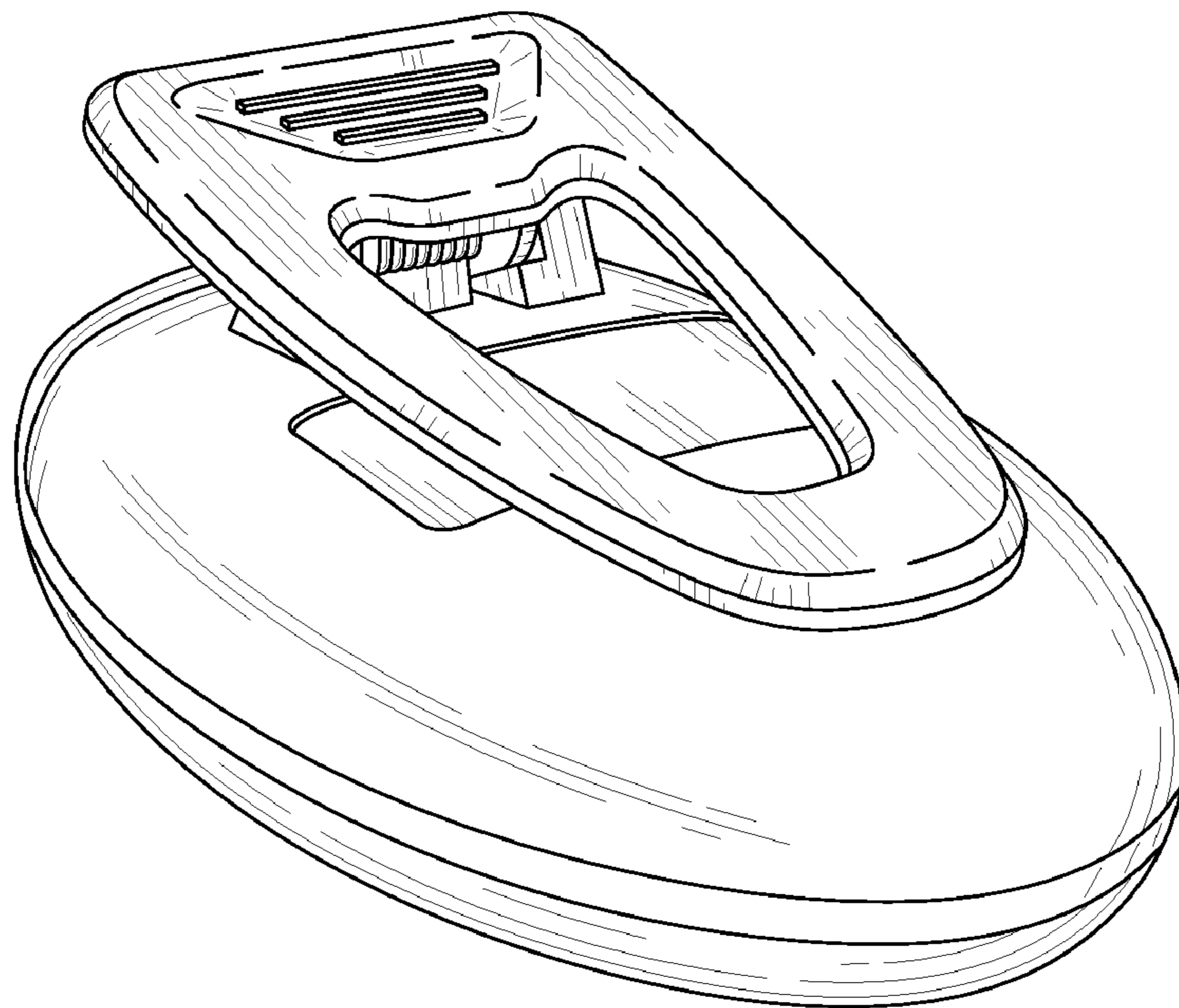


FIG. 2

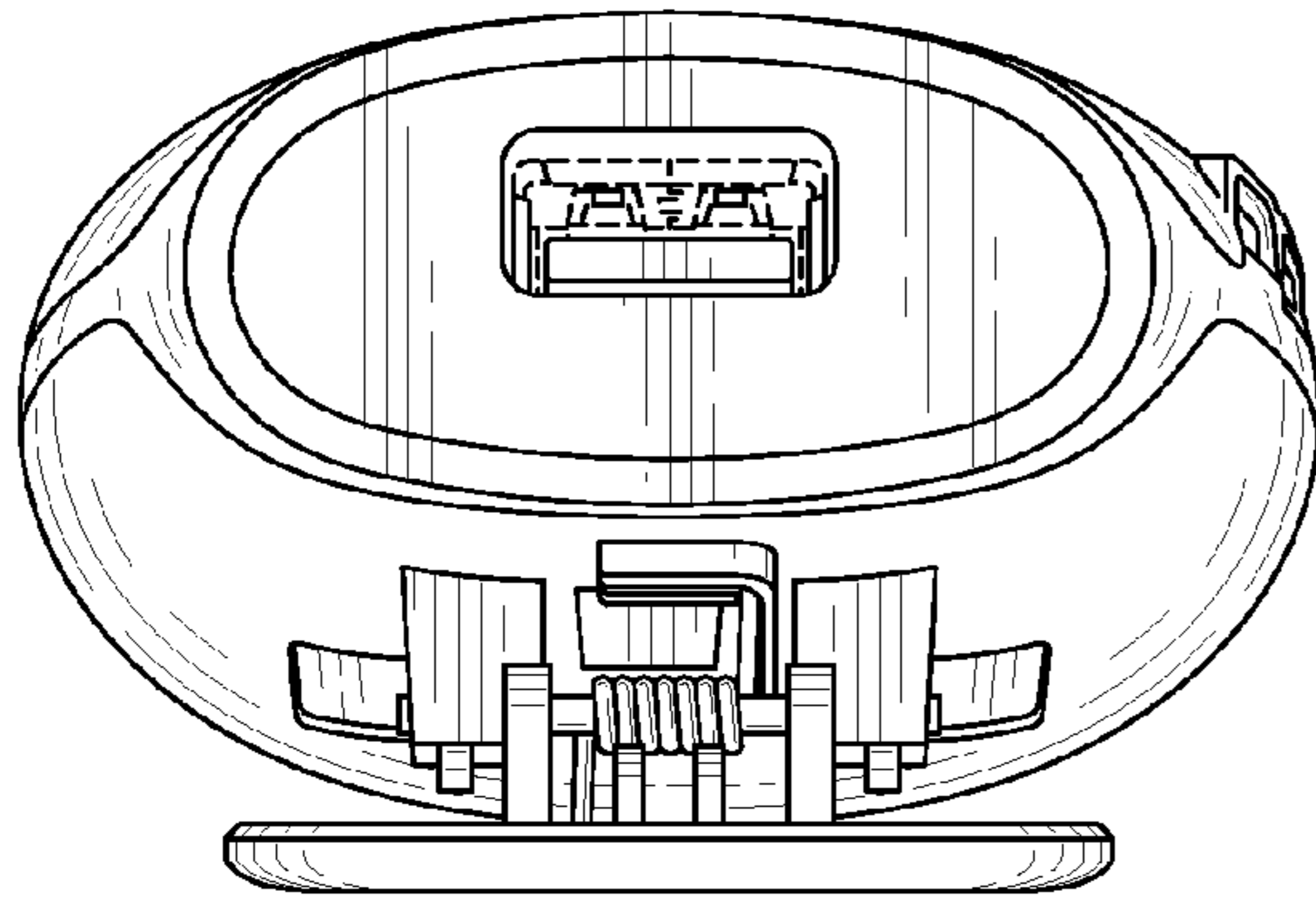


FIG. 3

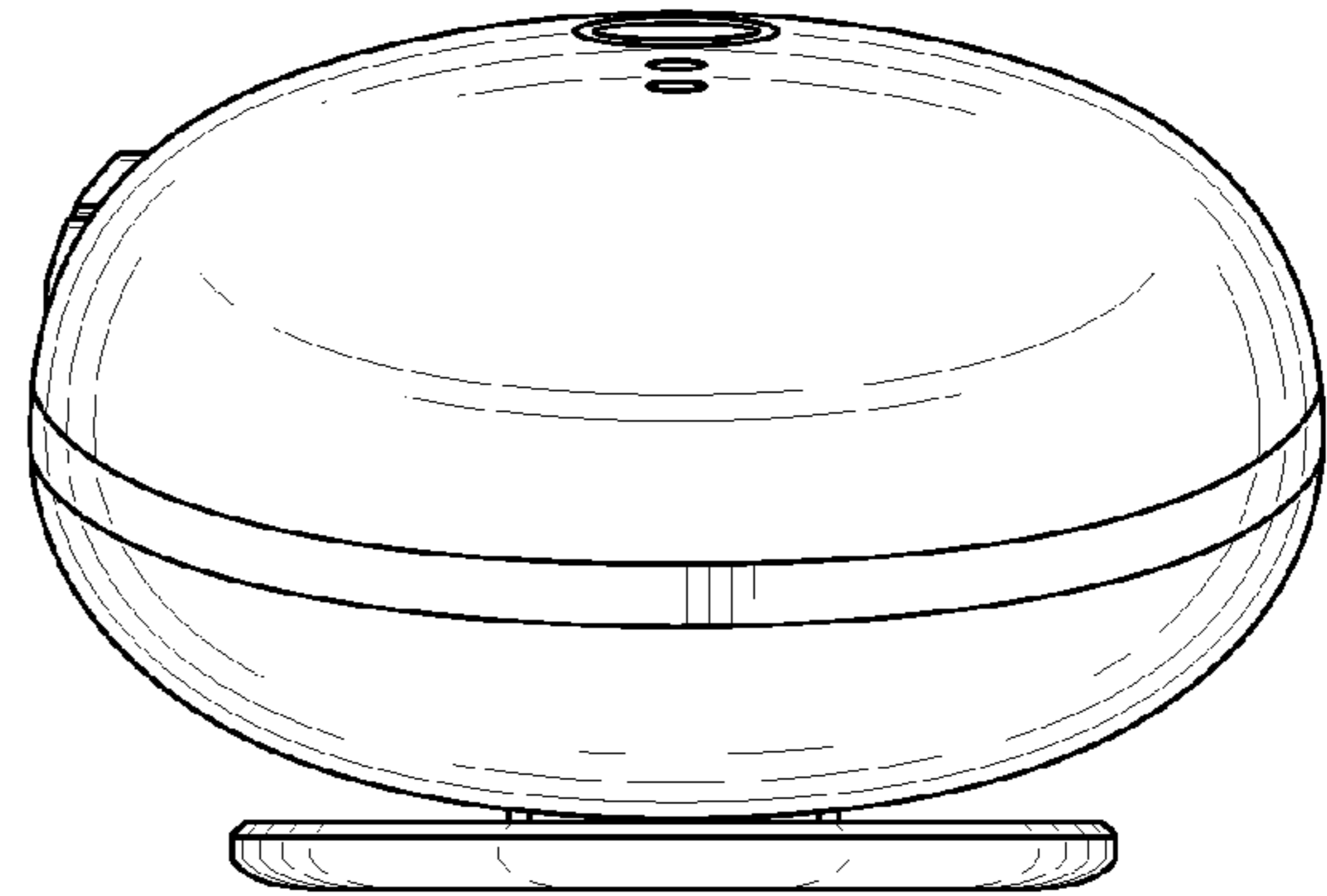


FIG. 4

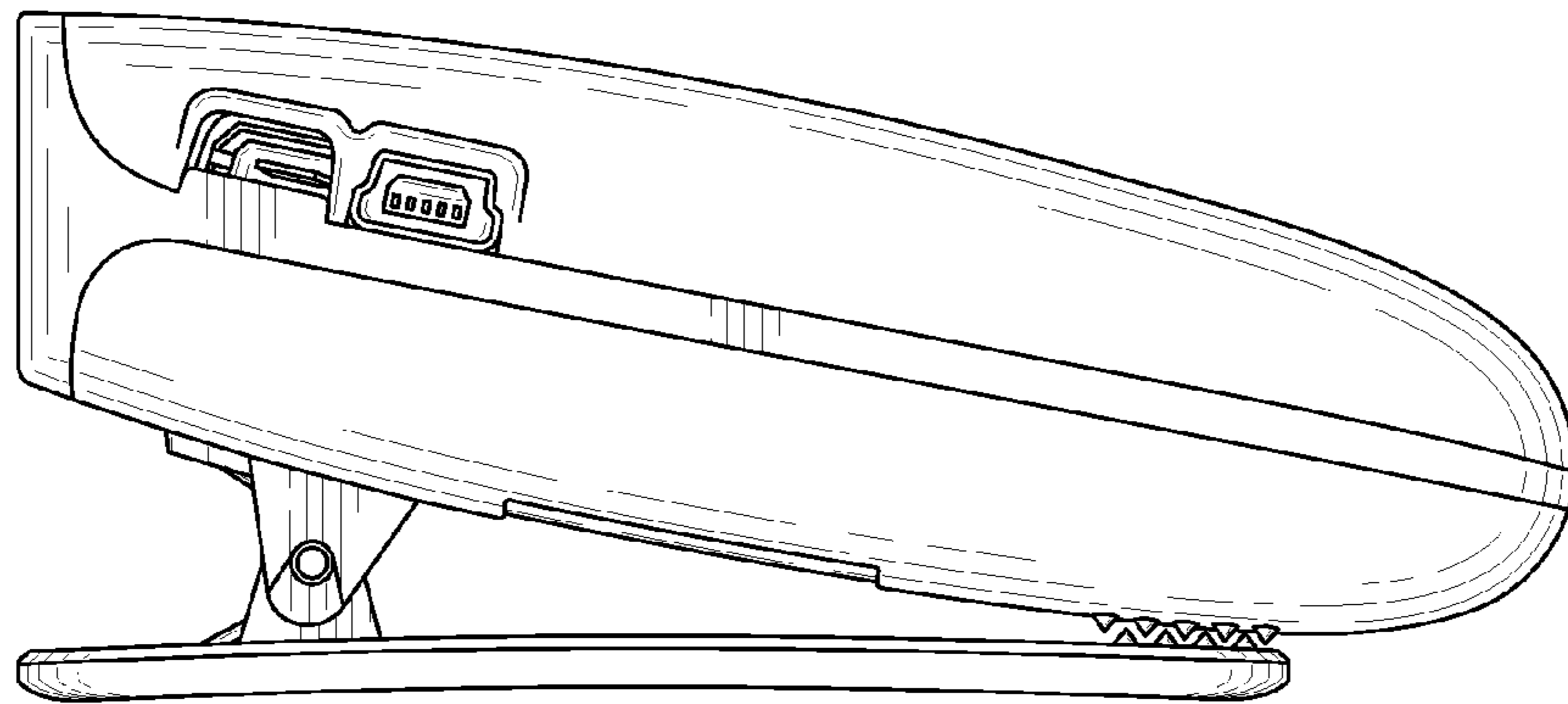


FIG. 5

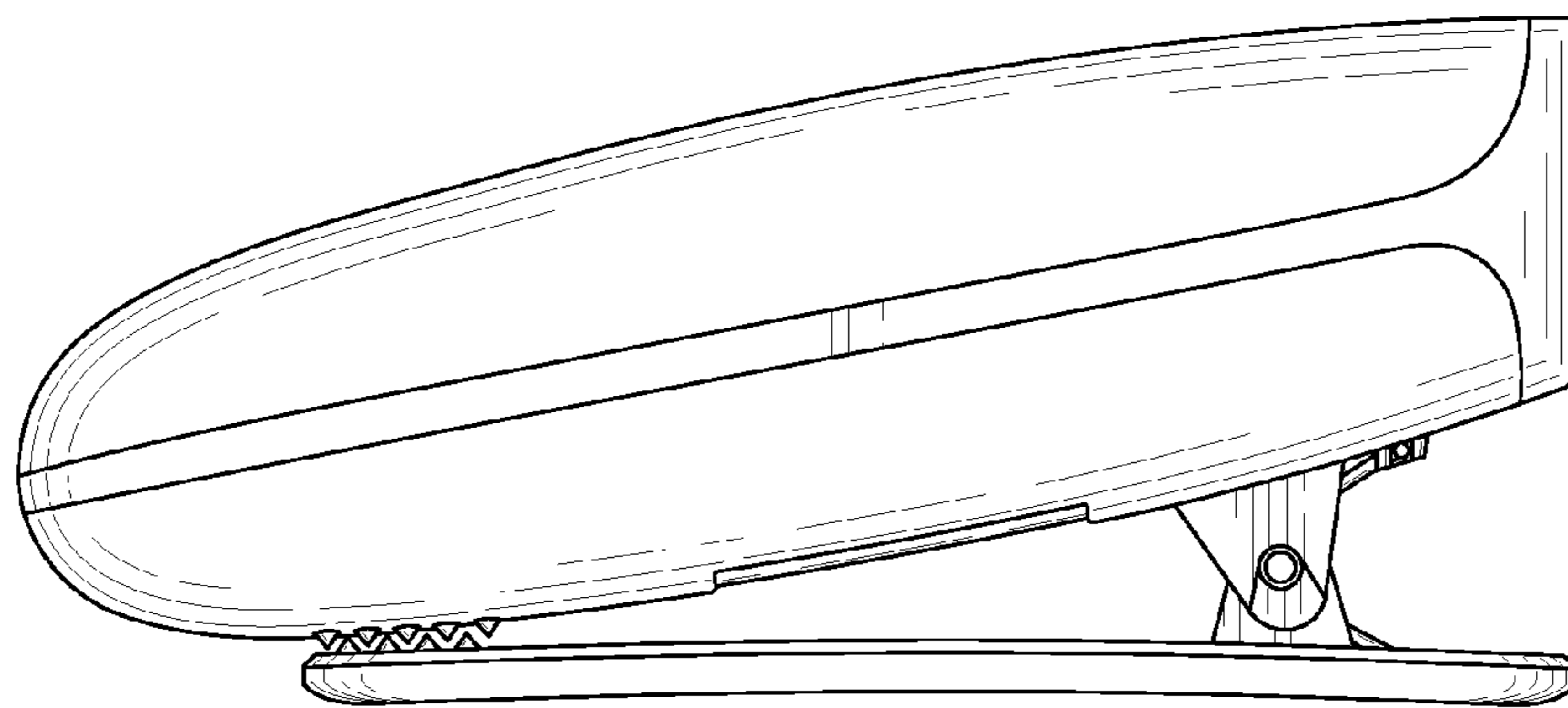


FIG. 6

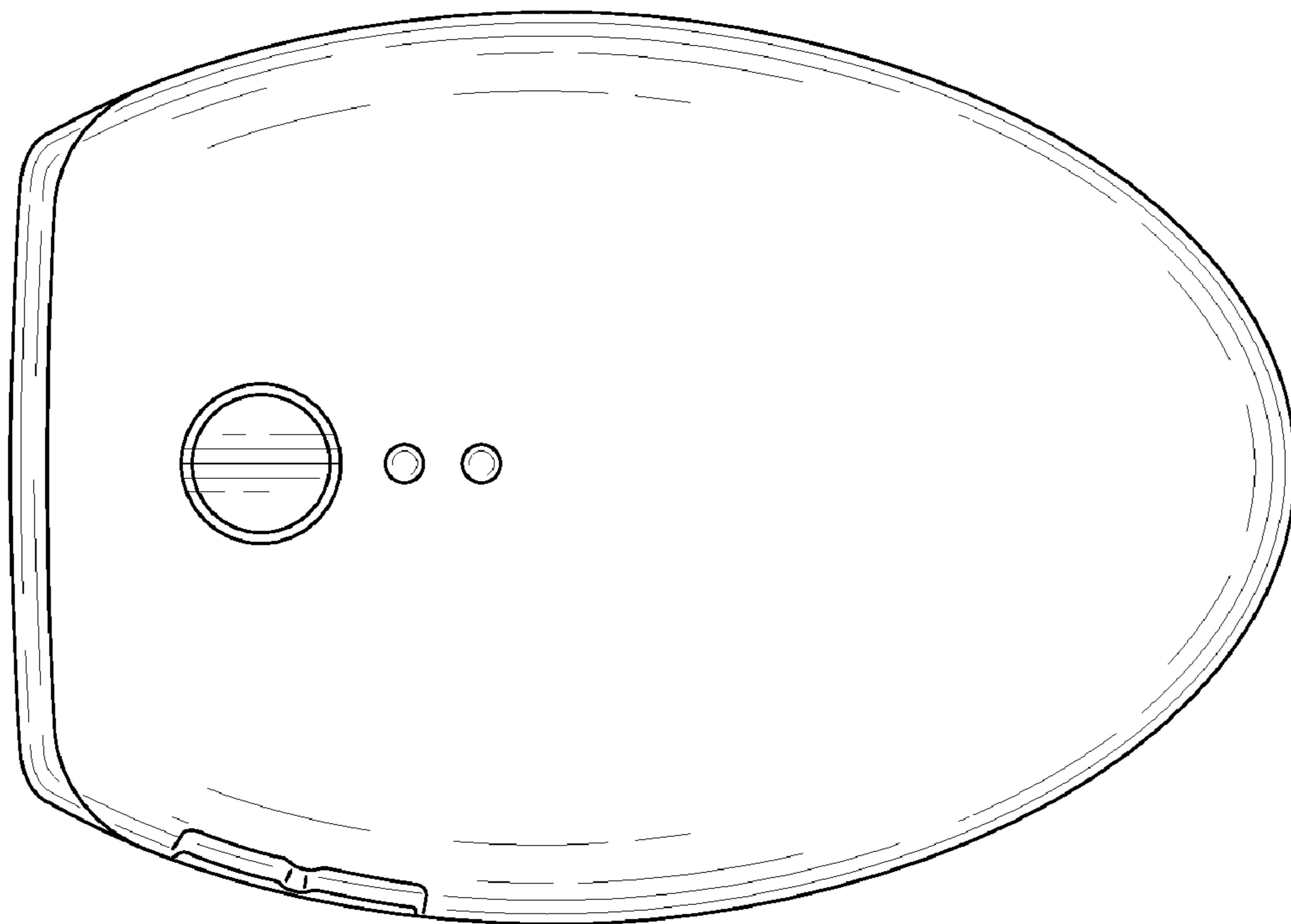


FIG. 7

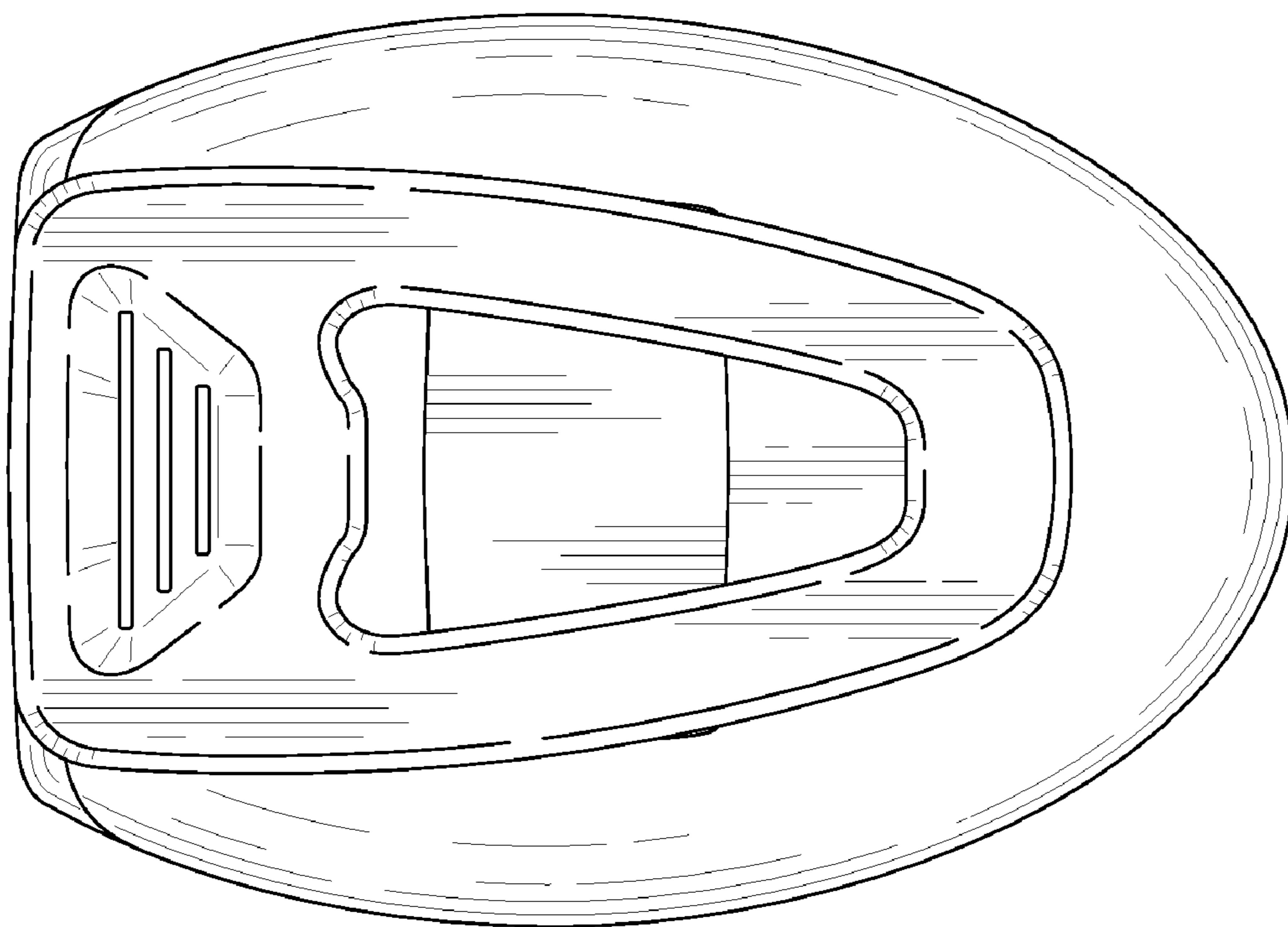


FIG. 8