



US00D633040S

(12) **United States Design Patent**
Le et al.

(10) **Patent No.:** **US D633,040 S**
(45) **Date of Patent:** **** Feb. 22, 2011**

(54) **WIDE FRONT DOCKING CRADLE**

(75) Inventors: **Phong Le**, Lewisville, TX (US);
Jomichael Porter, Addison, TX (US);
Sam Hood, Rowlett, TX (US); **Joseph**
Craig Reed, Plano, TX (US); **David**
Thomas Ellis, Irvine, CA (US); **Lorelei**
Curtiss Cannon, Plano, TX (US);
Rashid Skaf, Plano, TX (US)

(73) Assignee: **AMX LLC**, Richardson, TX (US)

(**) Term: **14 Years**

(21) Appl. No.: **29/359,783**

(22) Filed: **Apr. 15, 2010**

(51) **LOC (9) Cl.** **13-02**

(52) **U.S. Cl.** **D13/108; D14/434**

(58) **Field of Classification Search** D13/107–110,
D13/118–119, 184; D14/251, 253, 432,
D14/434, 435.1; 320/107–115

See application file for complete search history.

(56) **References Cited**

U.S. PATENT DOCUMENTS

D543,985 S * 6/2007 Hussaini et al. D14/434
D546,760 S * 7/2007 Aguilar D13/108

D552,185 S * 10/2007 Hussaini et al. D21/333
D552,688 S * 10/2007 Hussaini et al. D21/333
D557,207 S * 12/2007 Aguilar D13/108
D566,352 S * 4/2008 Ågren et al. D32/31
D585,897 S * 2/2009 Carnevali D14/434
D621,405 S * 8/2010 Waite et al. D14/434

* cited by examiner

Primary Examiner—Rosemary K Tarca

(57) **CLAIM**

The ornamental design for a wide front docking cradle, as shown and described.

DESCRIPTION

FIG. 1 is an isometric view of a wide front docking cradle showing our new design;

FIG. 2 is a front elevational view thereof;

FIG. 3 is a right elevational view thereof;

FIG. 4 is a left elevational view thereof;

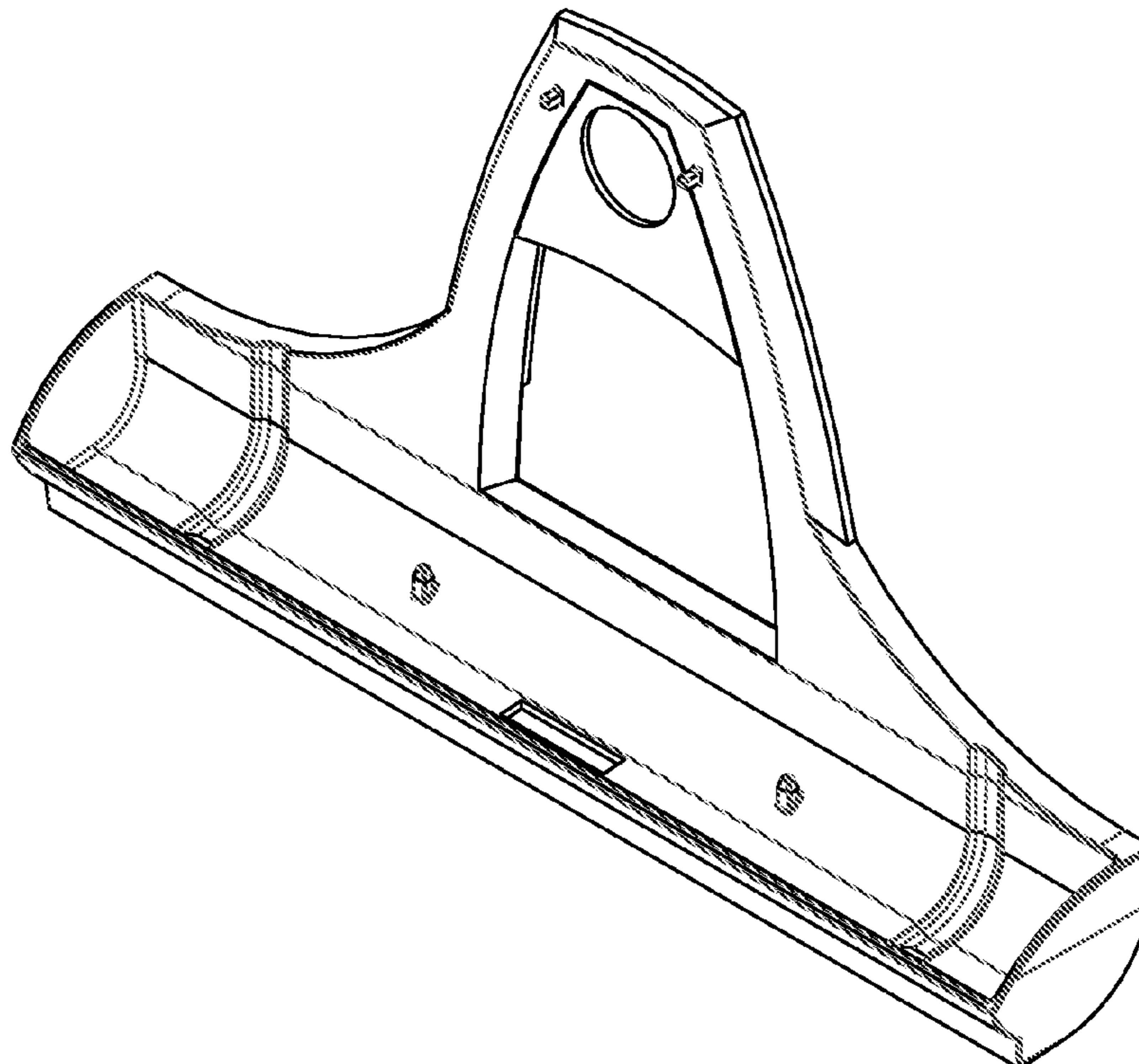
FIG. 5 is a top plan view thereof;

FIG. 6 is a bottom plan view thereof;

FIG. 7 is a back side isometric view thereof; and,

FIG. 8 is an underside isometric view thereof.

1 Claim, 8 Drawing Sheets



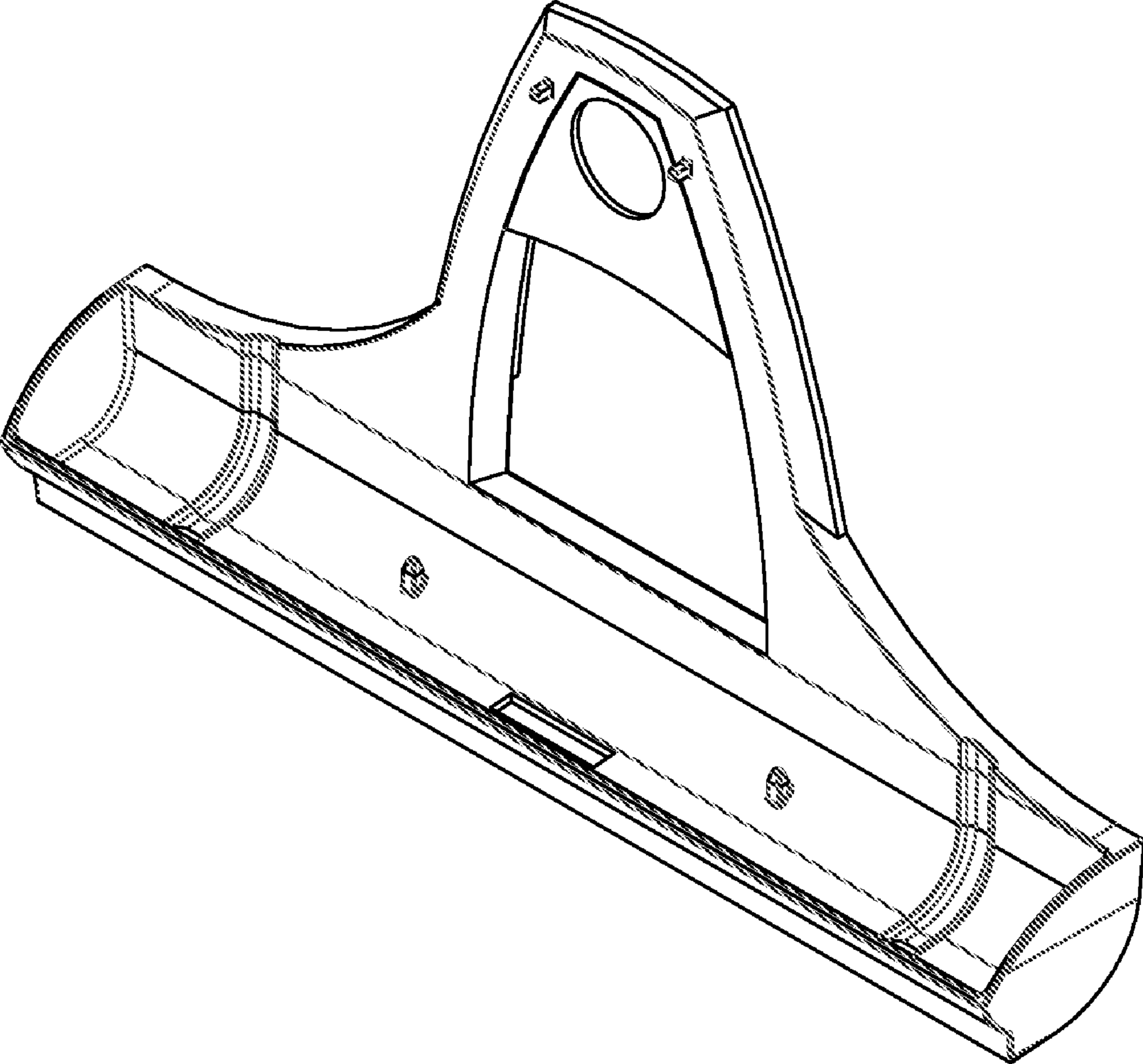


FIGURE 1

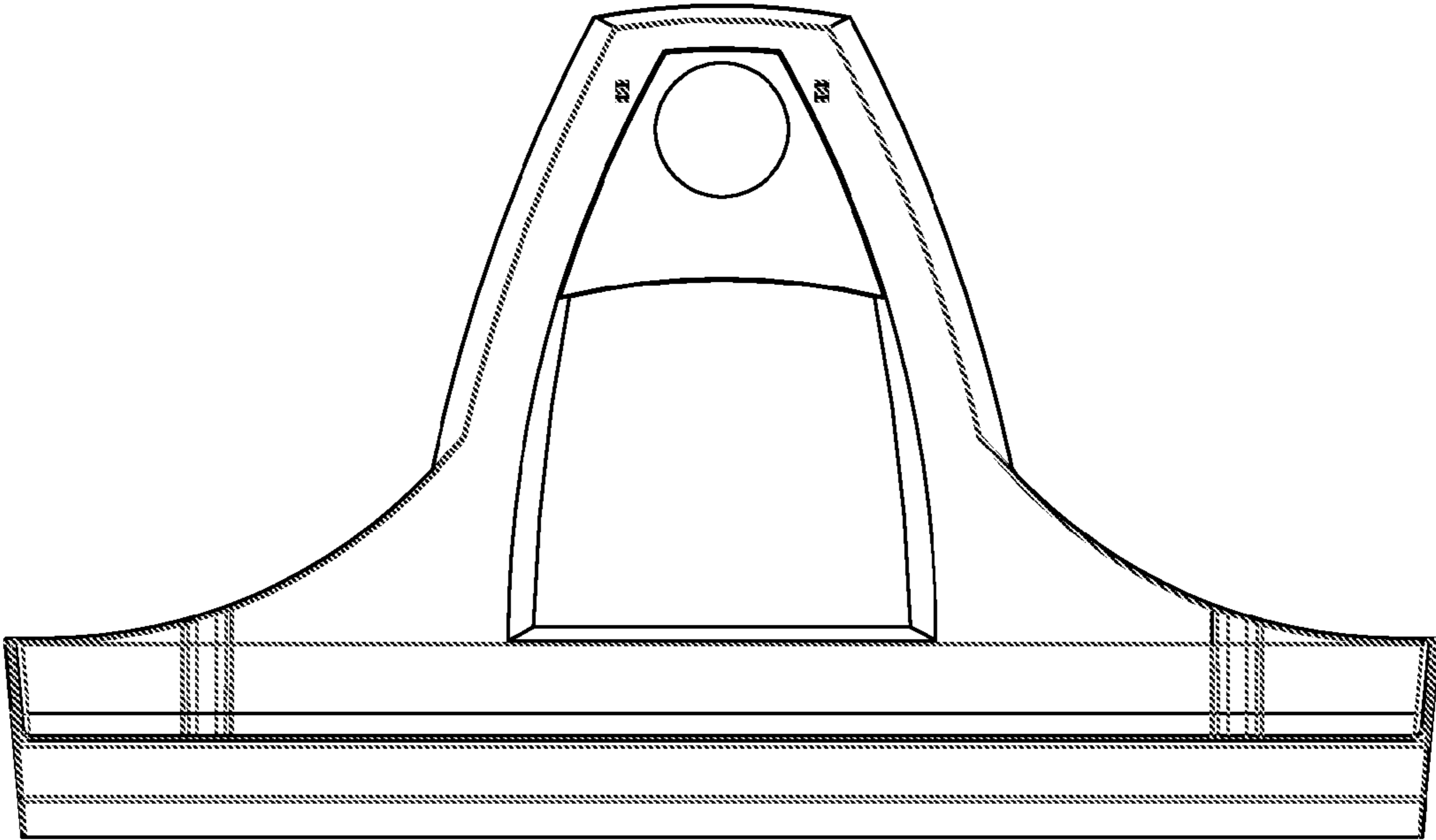


FIGURE 2

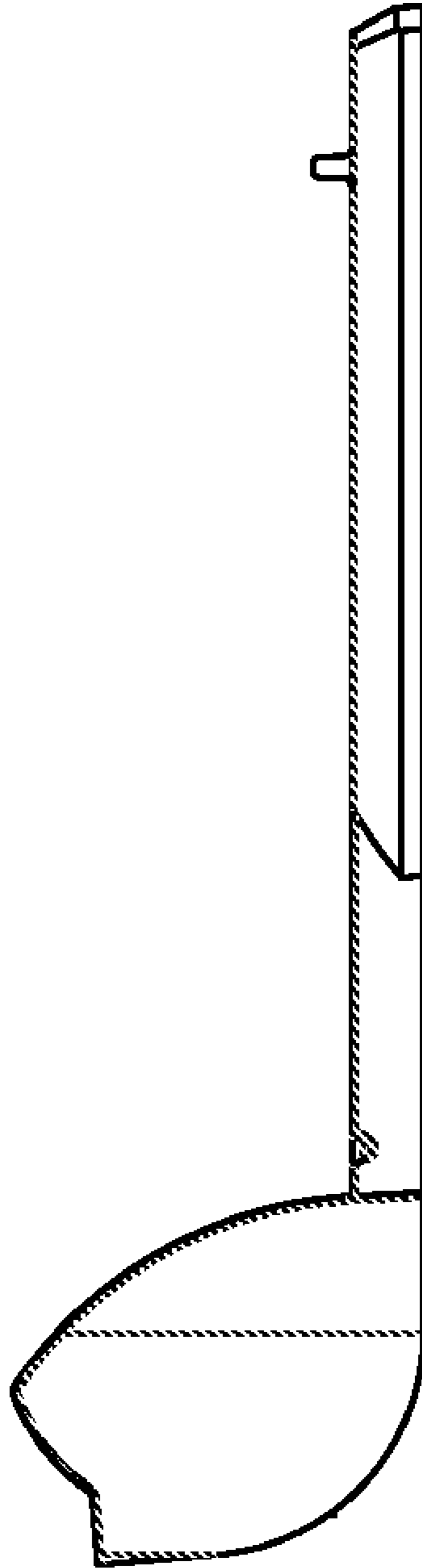


FIGURE 3

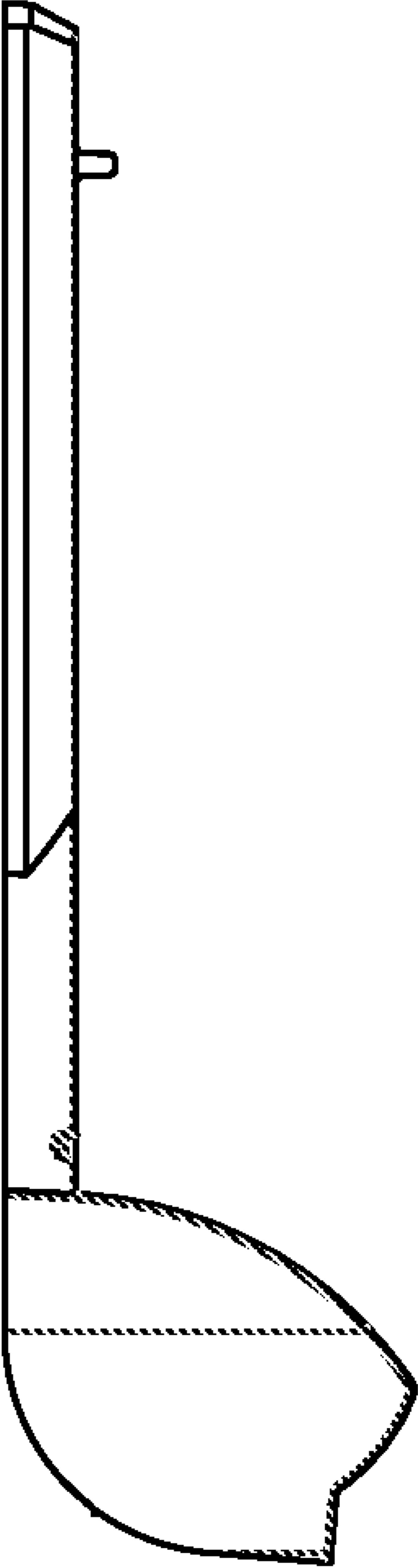


FIGURE 4

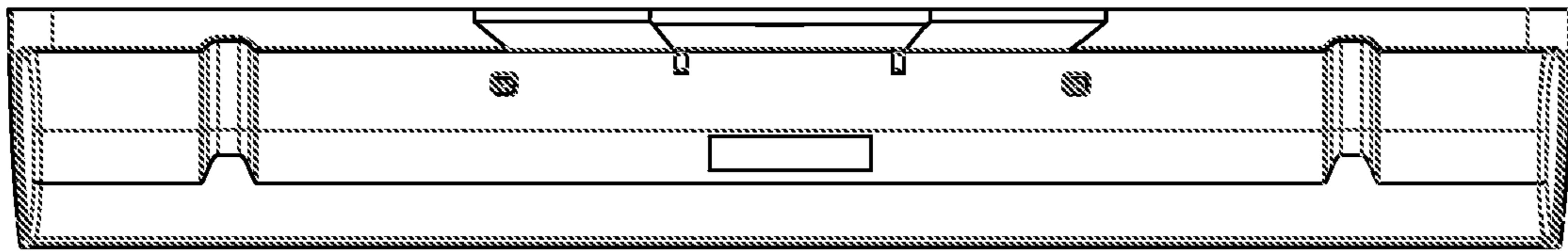


FIGURE 5

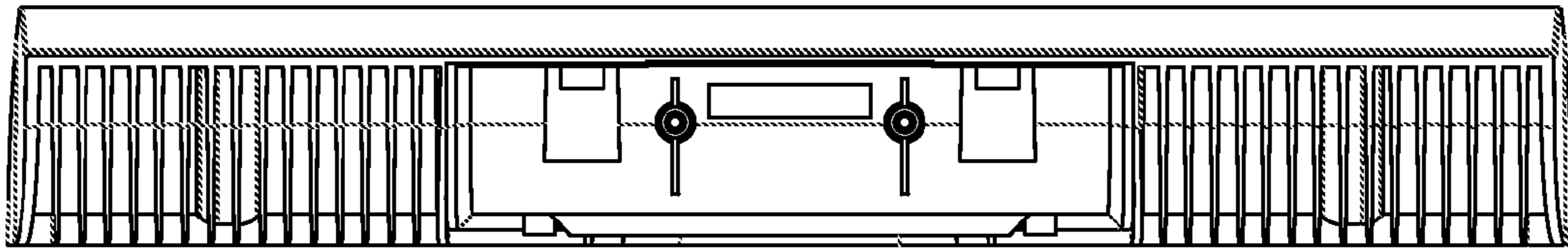


FIGURE 6

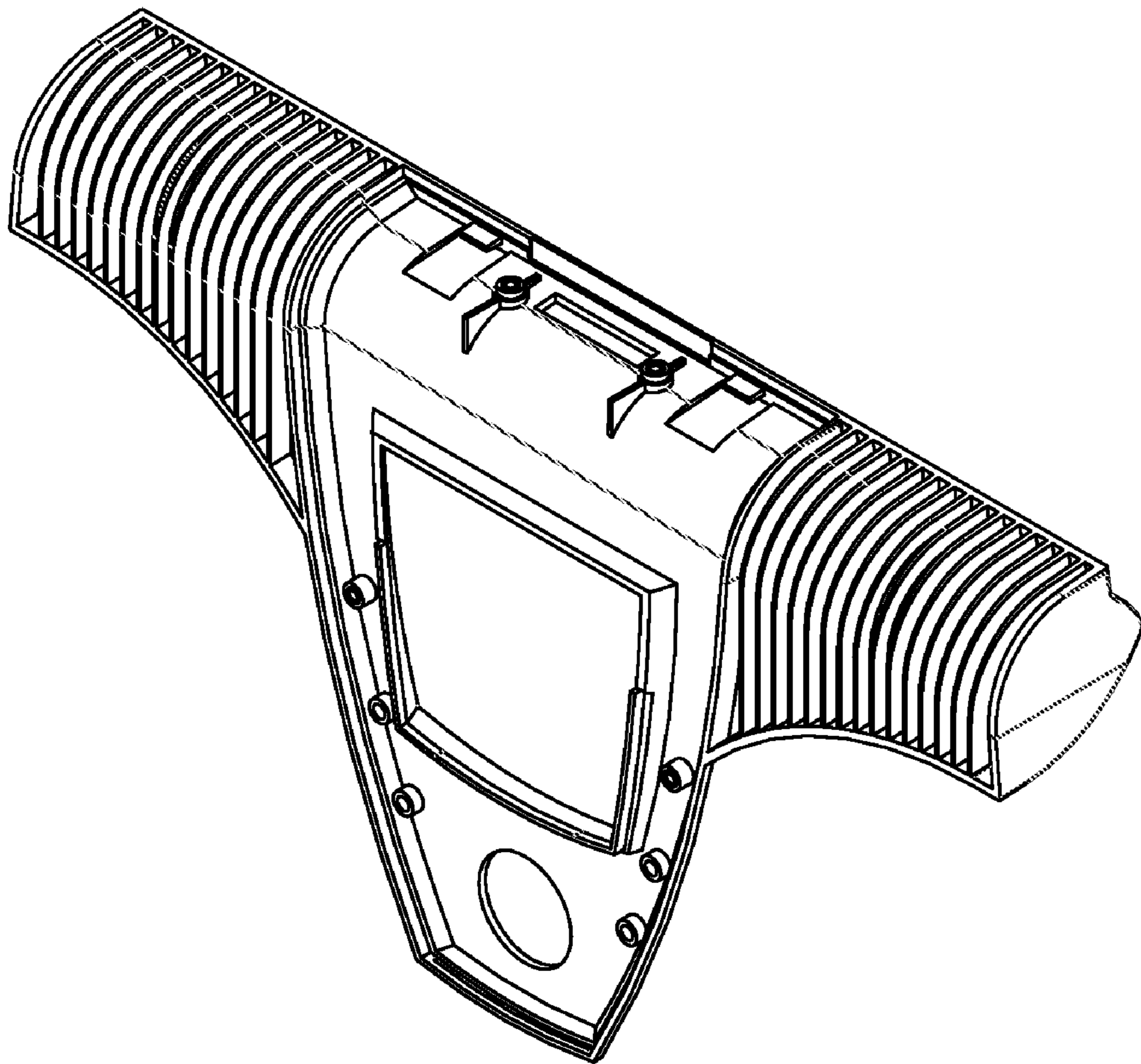


FIGURE 7

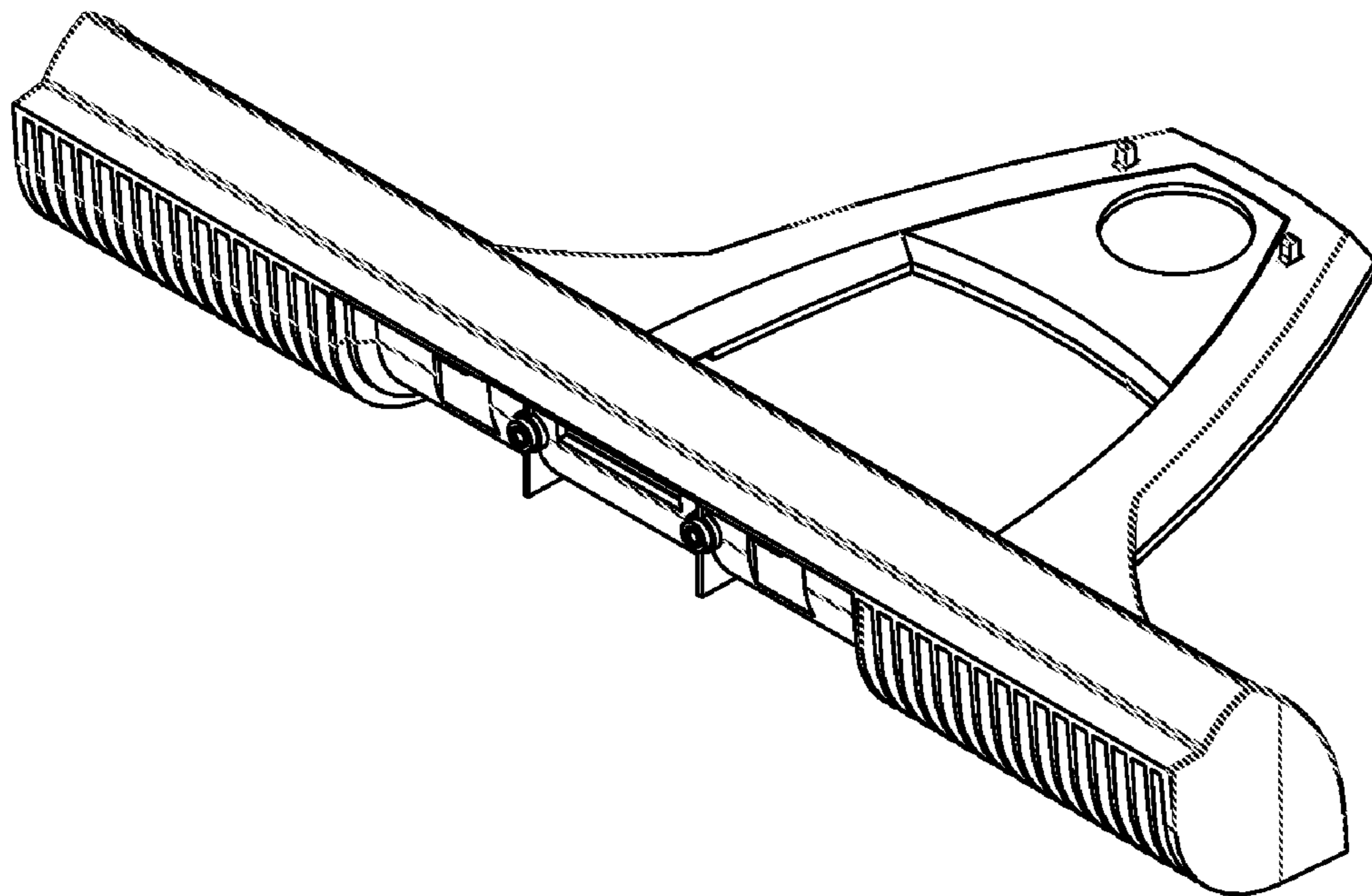


FIGURE 8