



US00D633039S

(12) **United States Design Patent**  
**Nomi et al.**

(10) **Patent No.:** **US D633,039 S**  
(45) **Date of Patent:** **\*\* Feb. 22, 2011**

(54) **BATTERY CHARGER FOR CONTROLLER**

(75) Inventors: **Takuo Nomi**, Osaka (JP); **Shinji Oda**, Osaka (JP)

(73) Assignee: **Sanyo Electric Co., Ltd.**, Osaka (JP)

(\*\*) Term: **14 Years**

(21) Appl. No.: **29/347,895**

(22) Filed: **Jul. 15, 2010**

(30) **Foreign Application Priority Data**

Apr. 21, 2010 (JP) ..... 2010-010018

(51) **LOC (9) Cl.** ..... **13-02**

(52) **U.S. Cl.** ..... **D13/108**

(58) **Field of Classification Search** ..... D13/107–110,  
D13/118–119, 184; D14/251, 253, 432,  
D14/434, 435.1; 320/107–115

See application file for complete search history.

(56) **References Cited**

U.S. PATENT DOCUMENTS

D275,482 S *	9/1984	Coons et al.	.....	D14/253
D319,061 S *	8/1991	Powell et al.	.....	D14/240
D349,485 S *	8/1994	Richards et al.	.....	D13/107
D357,990 S *	5/1995	Cheng et al.	.....	D26/38
D431,021 S *	9/2000	Collins	.....	D13/108
D444,472 S *	7/2001	Russell et al.	.....	D14/434
D513,411 S *	1/2006	Beasley et al.	.....	D14/149
D530,667 S *	10/2006	Viduya et al.	.....	D13/107
D533,499 S *	12/2006	Suzuki	.....	D13/108
D579,408 S *	10/2008	Benyameen	.....	D13/107
D597,940 S *	8/2009	Navid	.....	D13/108
D605,588 S *	12/2009	Nomi et al.	.....	D13/108
D621,346 S *	8/2010	Navid	.....	D13/108

\* cited by examiner

*Primary Examiner*—Rosemary K Tarca

(74) *Attorney, Agent, or Firm*—Rabin & Berdo, PC

(57) **CLAIM**

The ornamental design for a battery charger for controller, as shown and described.

**DESCRIPTION**

FIG. 1 is a perspective view of a battery charger for controller showing our new design;

FIG. 2 is a front elevation view thereof;

FIG. 3 is a rear elevation view thereof; a USB port is shown in broken lines forming no part of the claimed design;

FIG. 4 is a right side view thereof, the left side view thereof being a mirror image;

FIG. 5 is a top plan view thereof;

FIG. 6 is a bottom plan view thereof;

FIG. 7 is a sectional view thereof taken on line 7—7 of FIG. 2 showing no illustration of inside mechanism;

FIG. 8 is a sectional view thereof taken on line 8—8 of FIG. 4 showing no illustration of inside mechanism;

FIG. 9 is a referential view showing a usage state, a controller set on the present article is shown in broken lines forming no part of the claimed design;

FIG. 10 is a further referential view showing another usage state, a controller and a size adjusting attachment set on the present article are shown in broken lines forming no part of the claimed design; and,

FIG. 11 is a referential bottom plan view showing a state where a size adjusting attachment is put in a recess of the bottom surface, the size adjusting attachment is shown in broken lines forming no part of the claimed design.

The broken lines shown in the drawings are for illustrative purposes only and form no part of the claimed design.

**1 Claim, 11 Drawing Sheets**

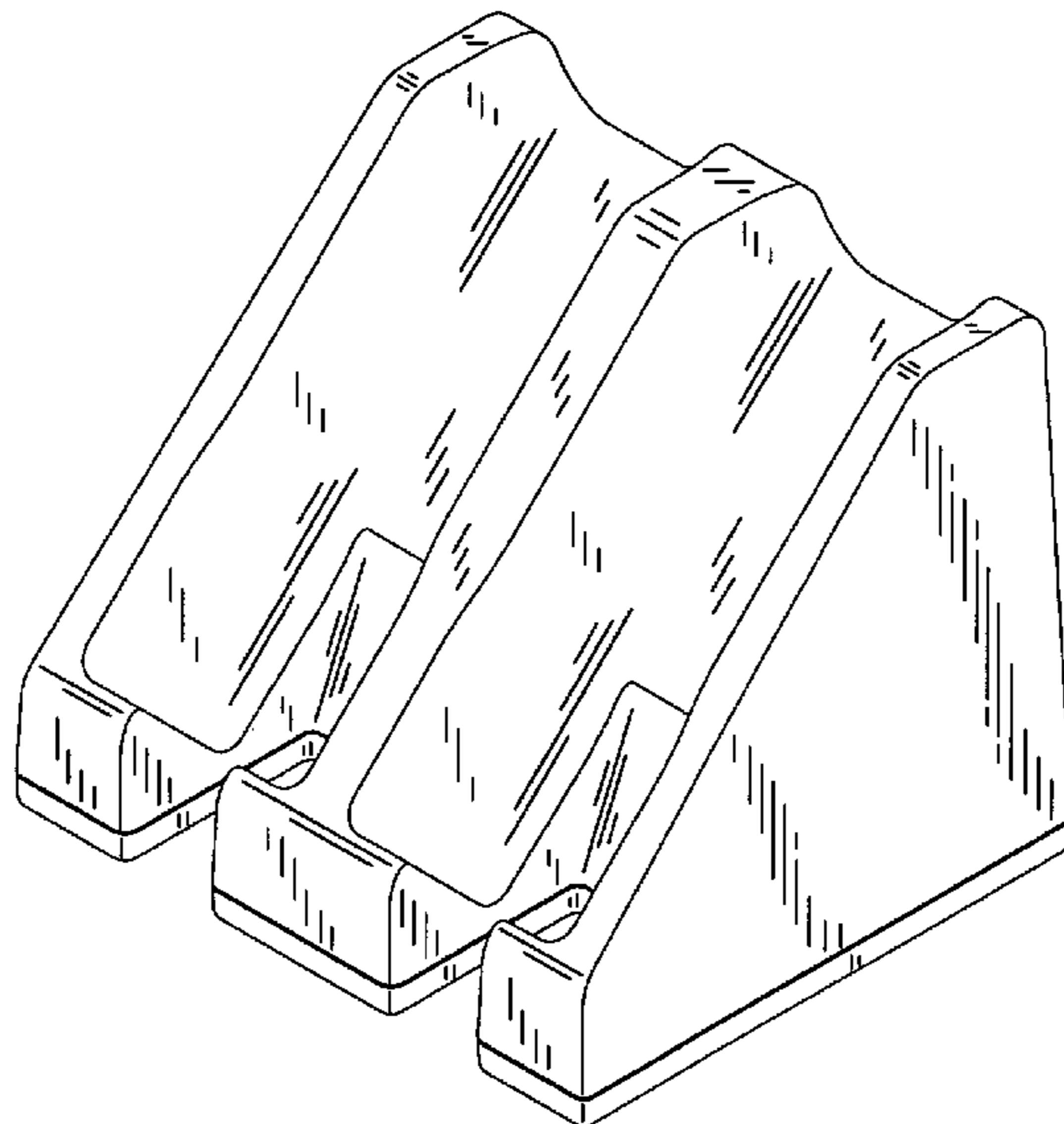


FIG. 1

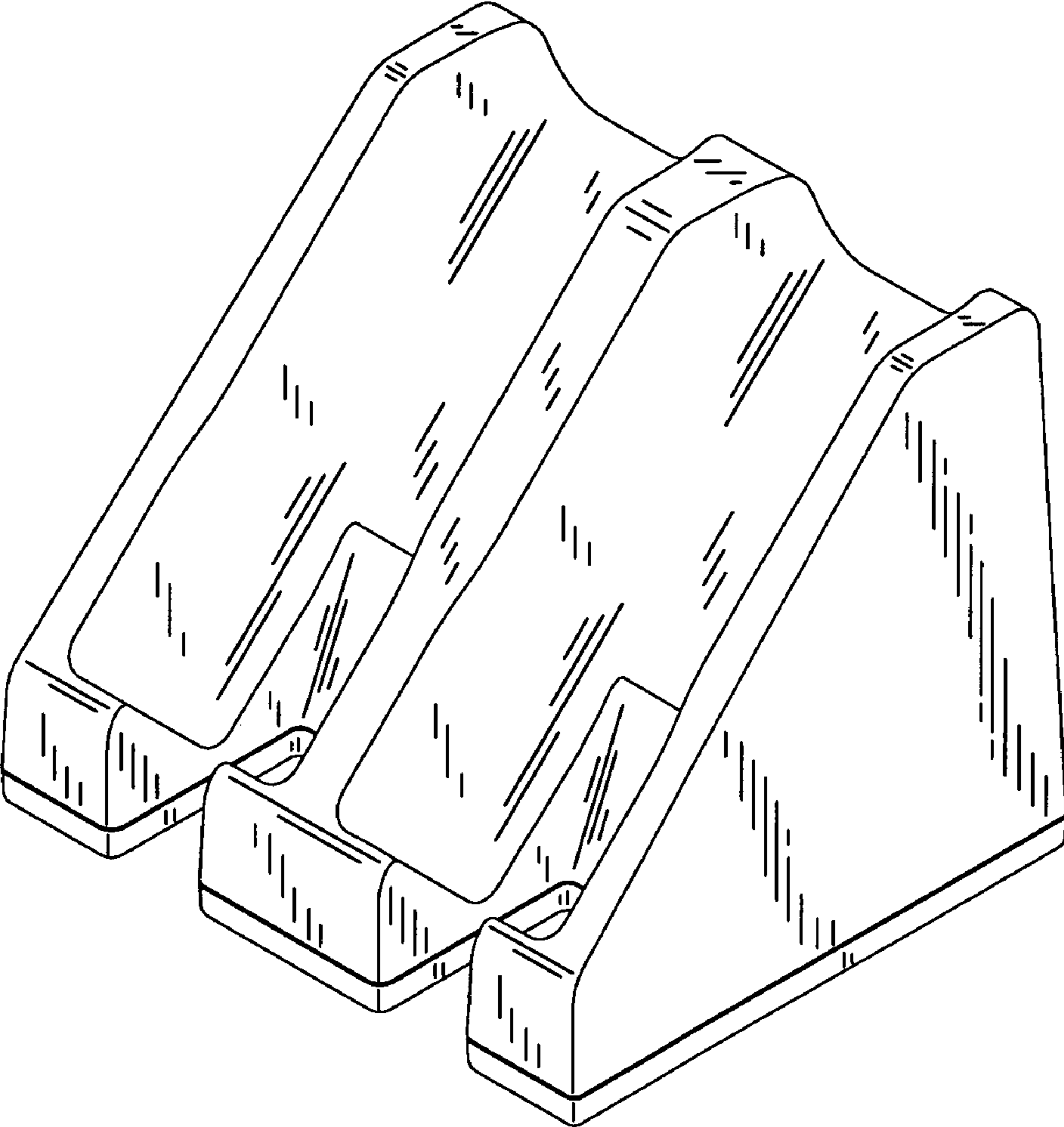


FIG. 2

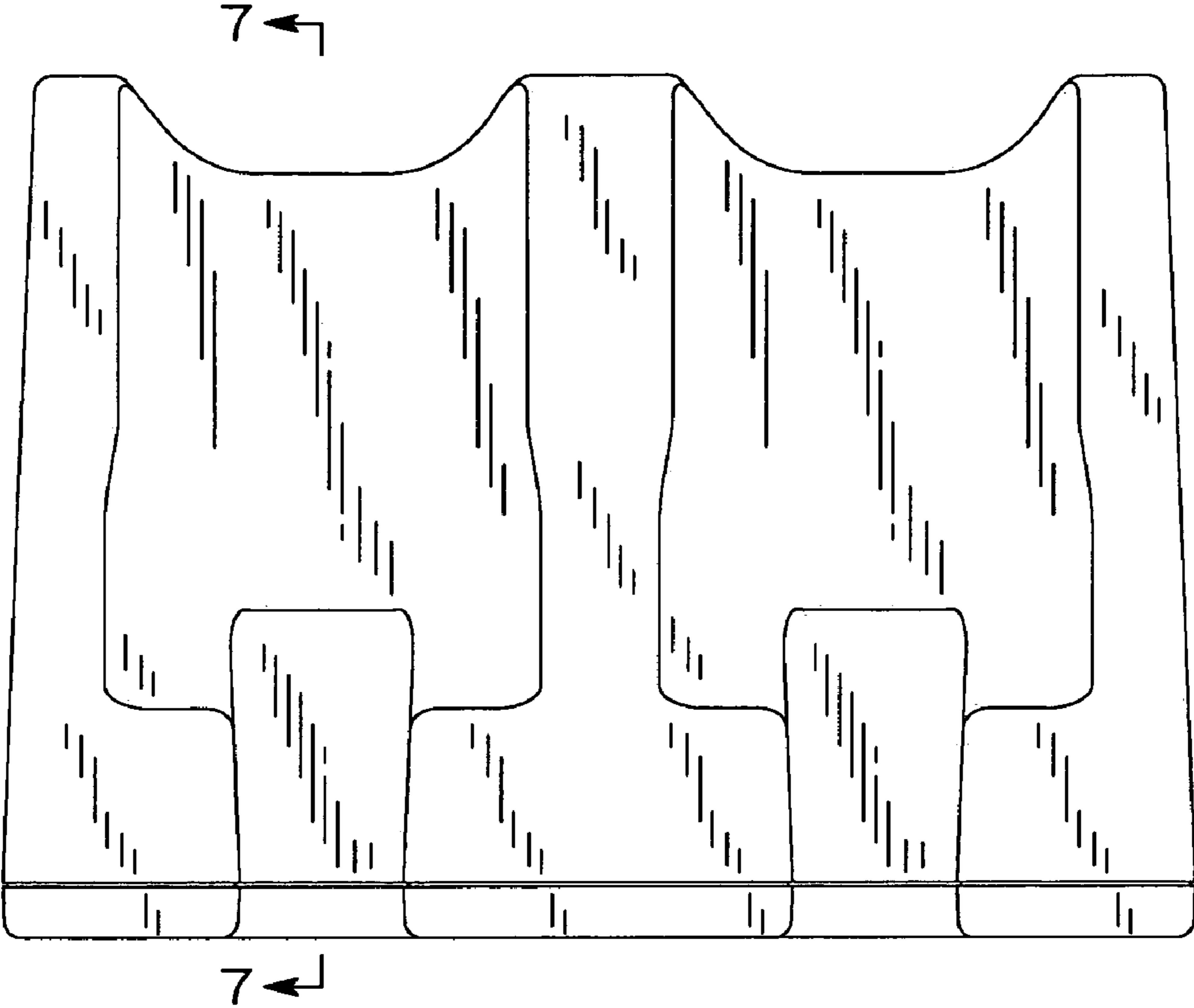


FIG. 3

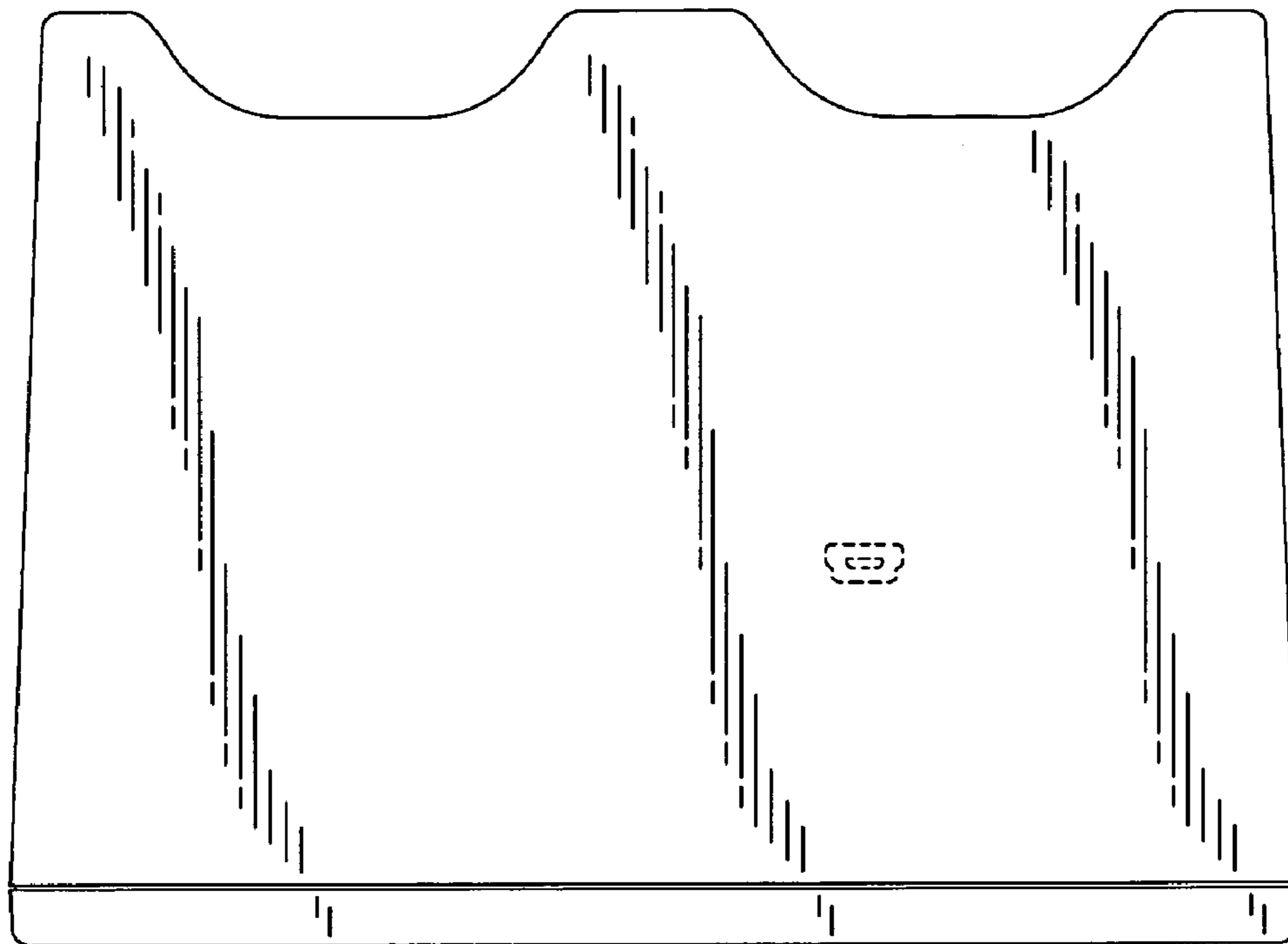


FIG. 4

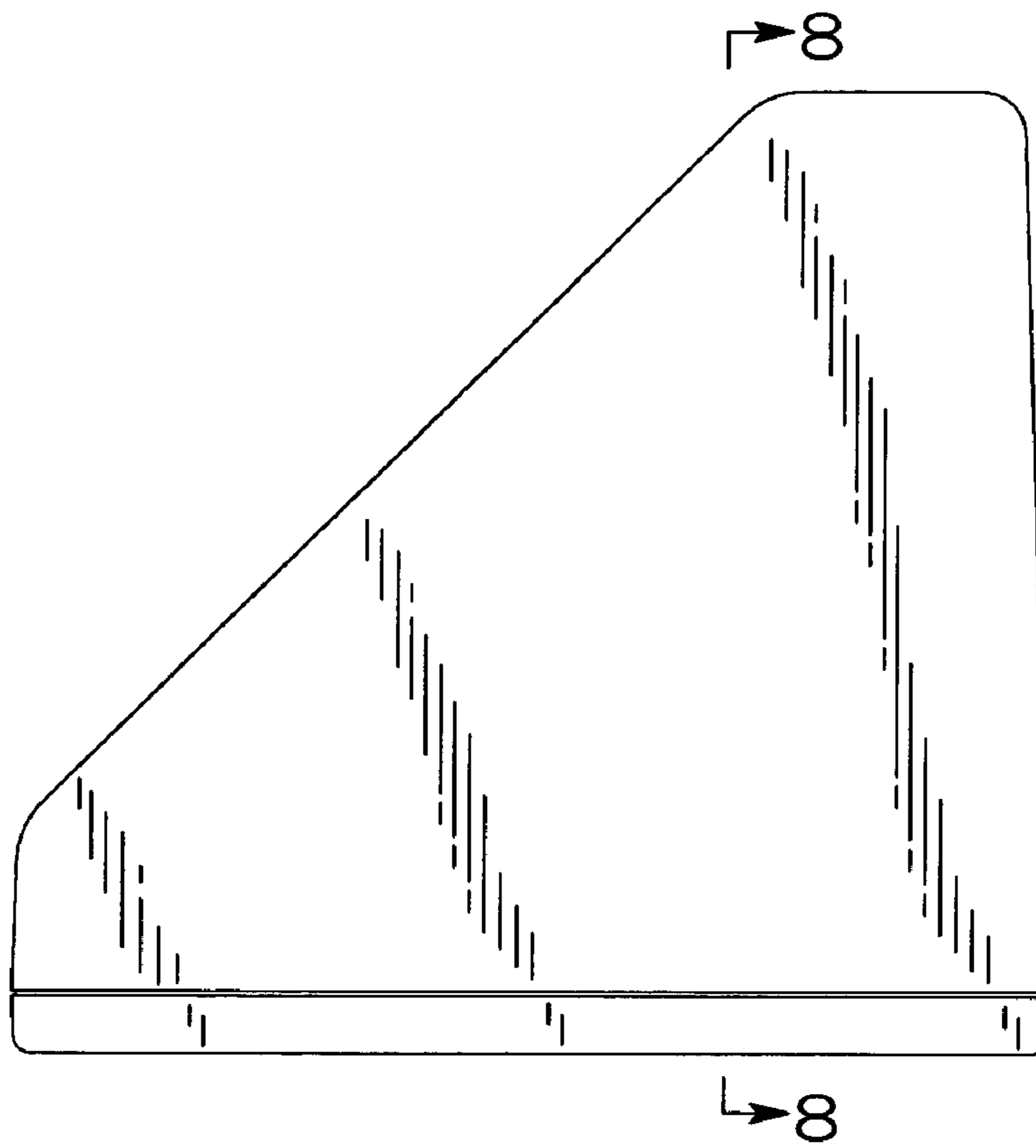


FIG. 5

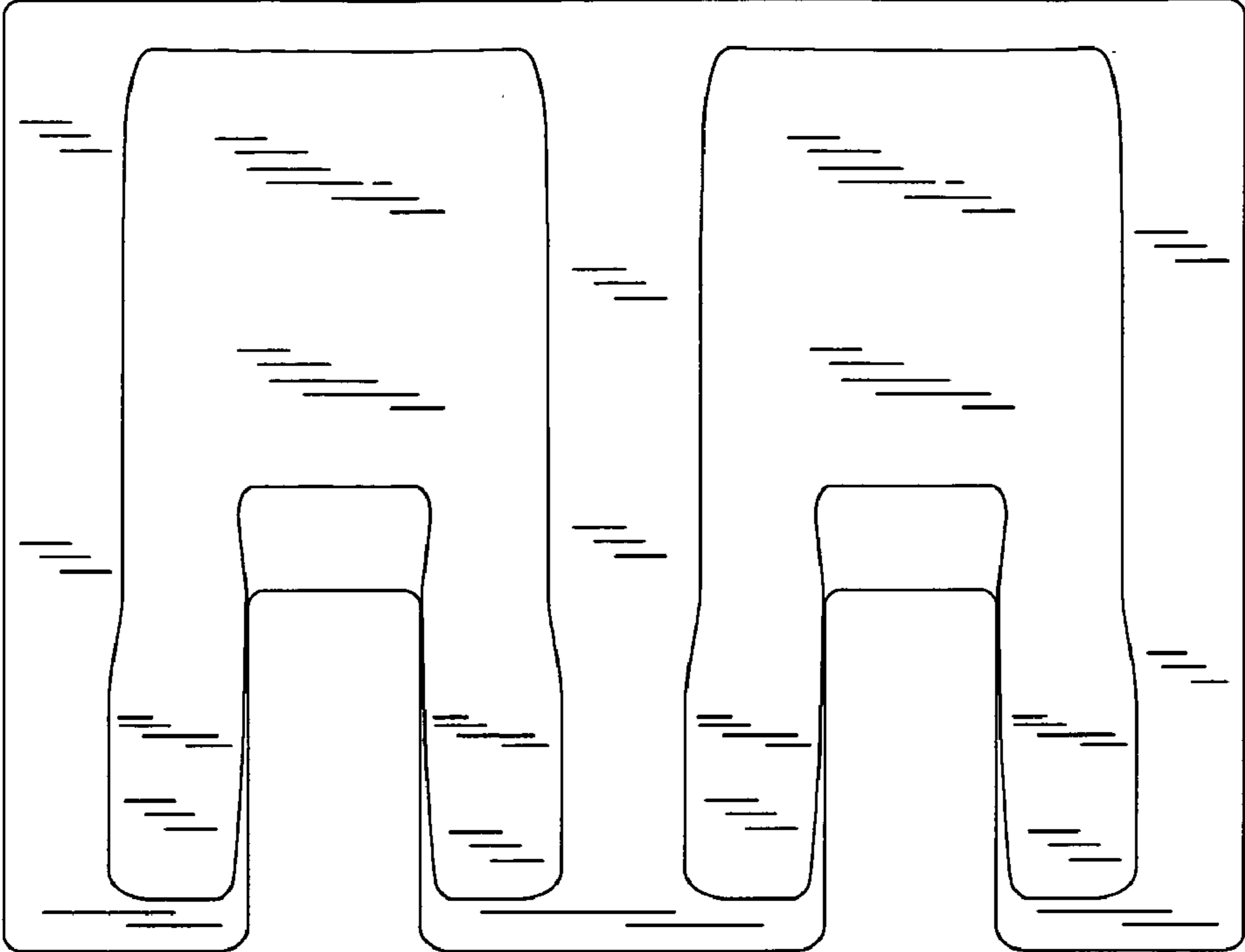


FIG. 6

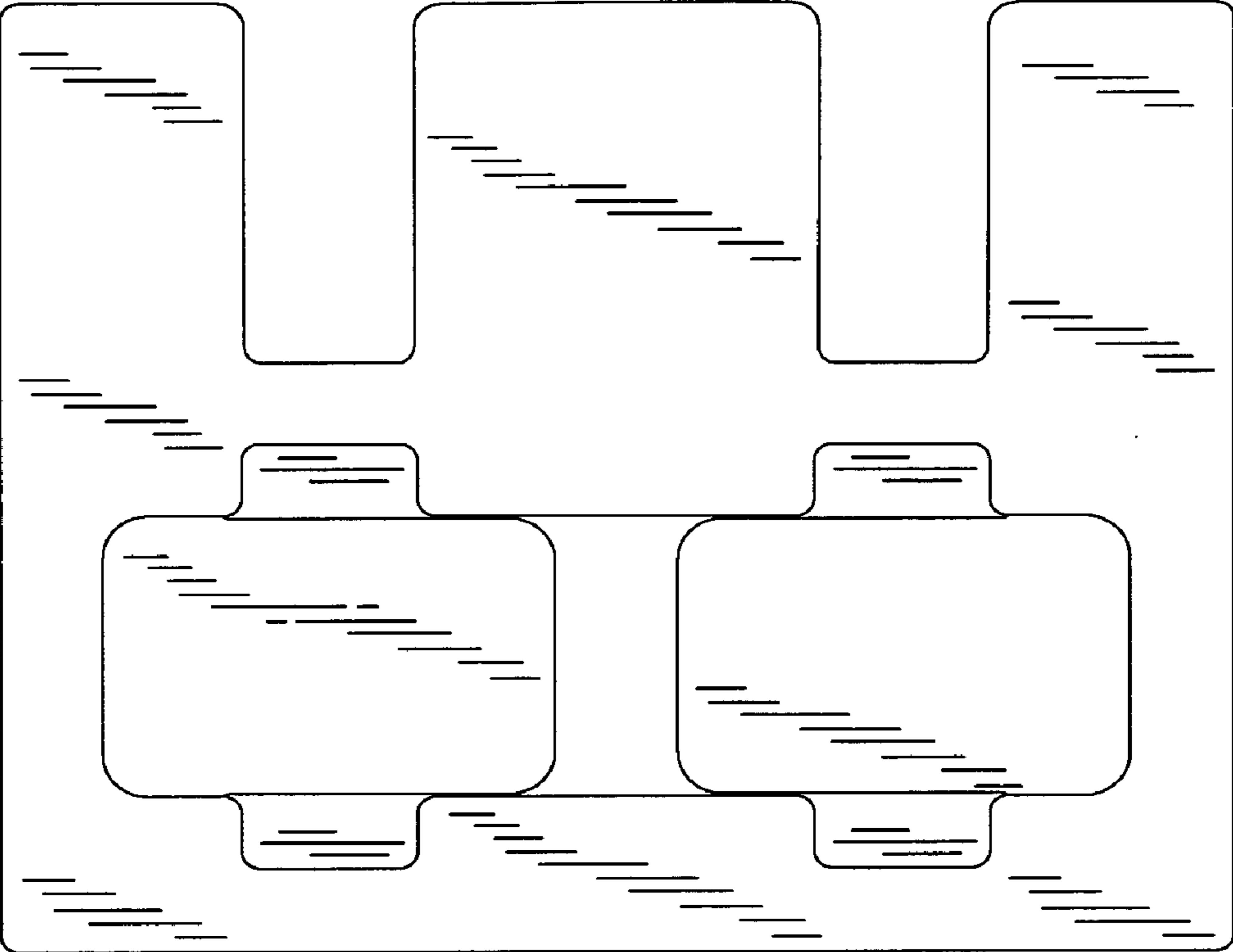


FIG. 7

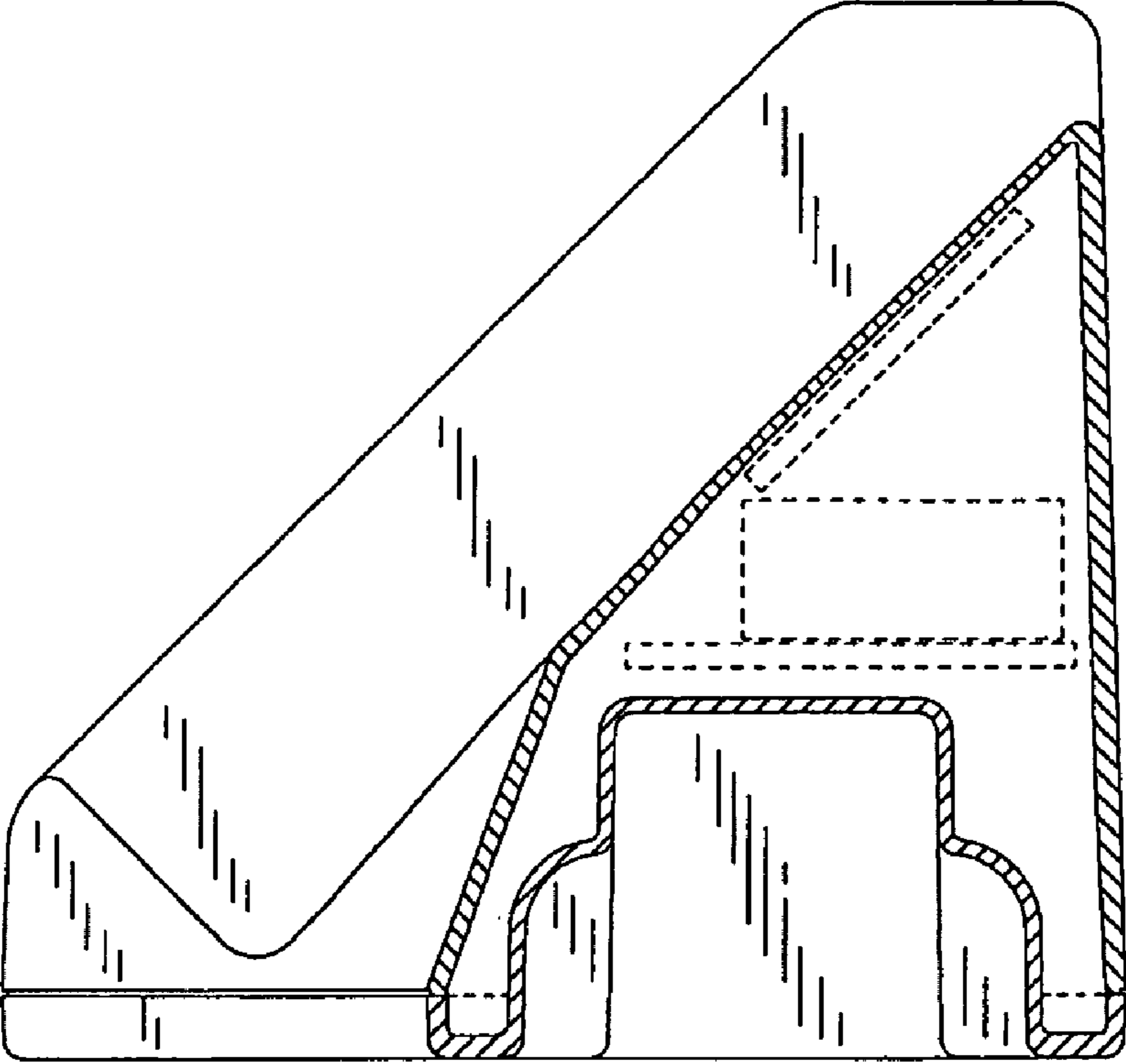




FIG. 8

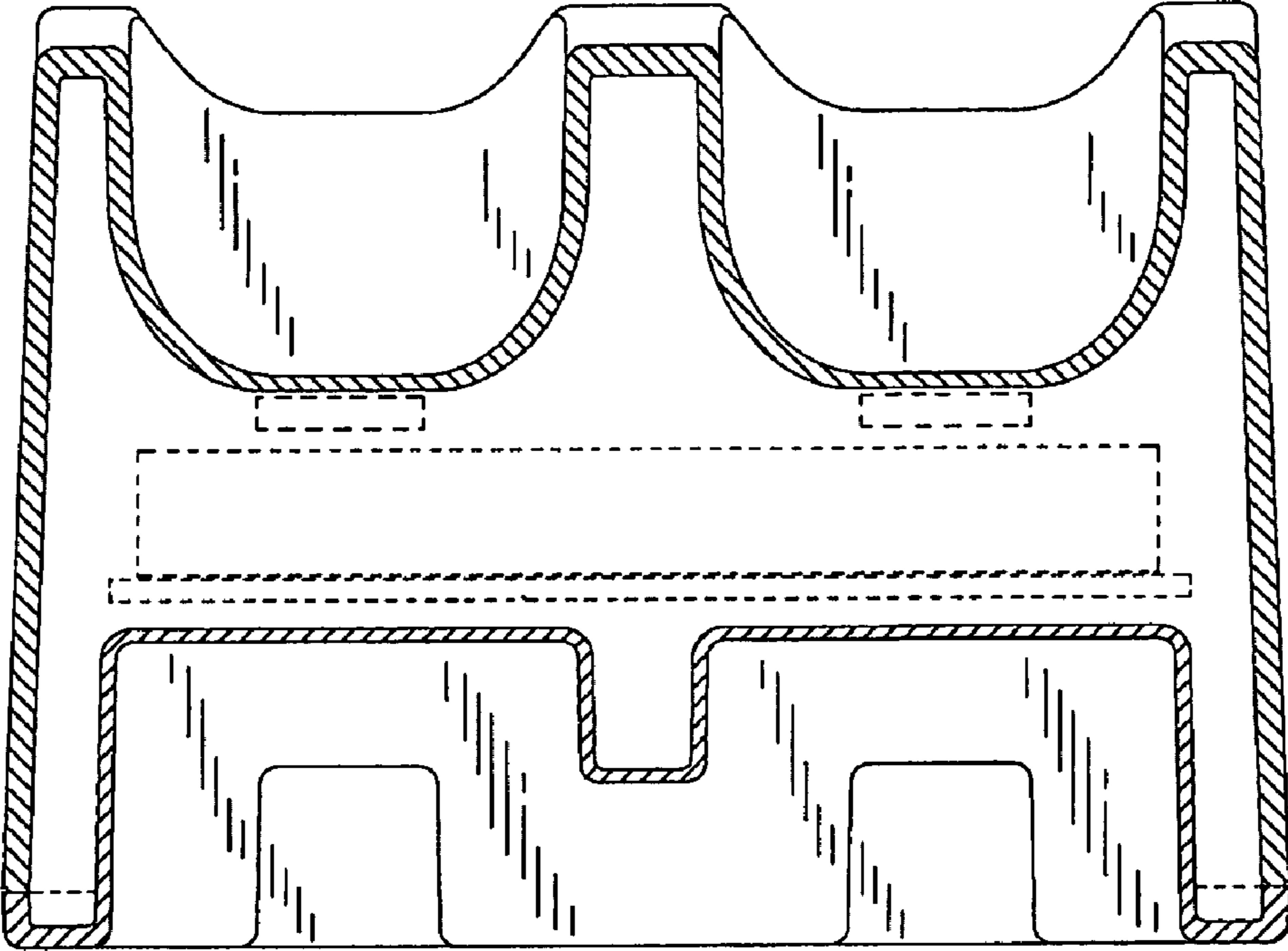


FIG. 9

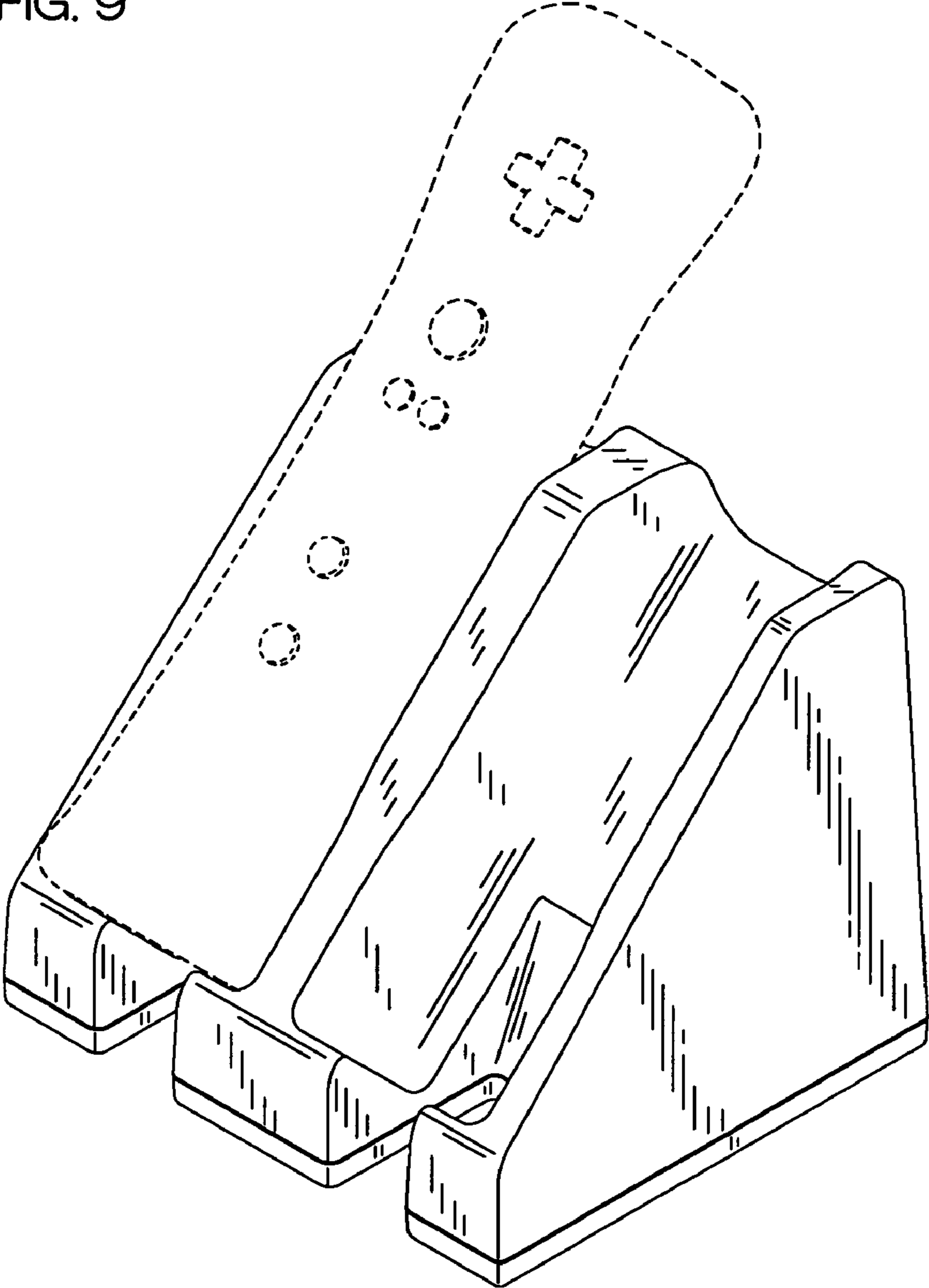


FIG. 10

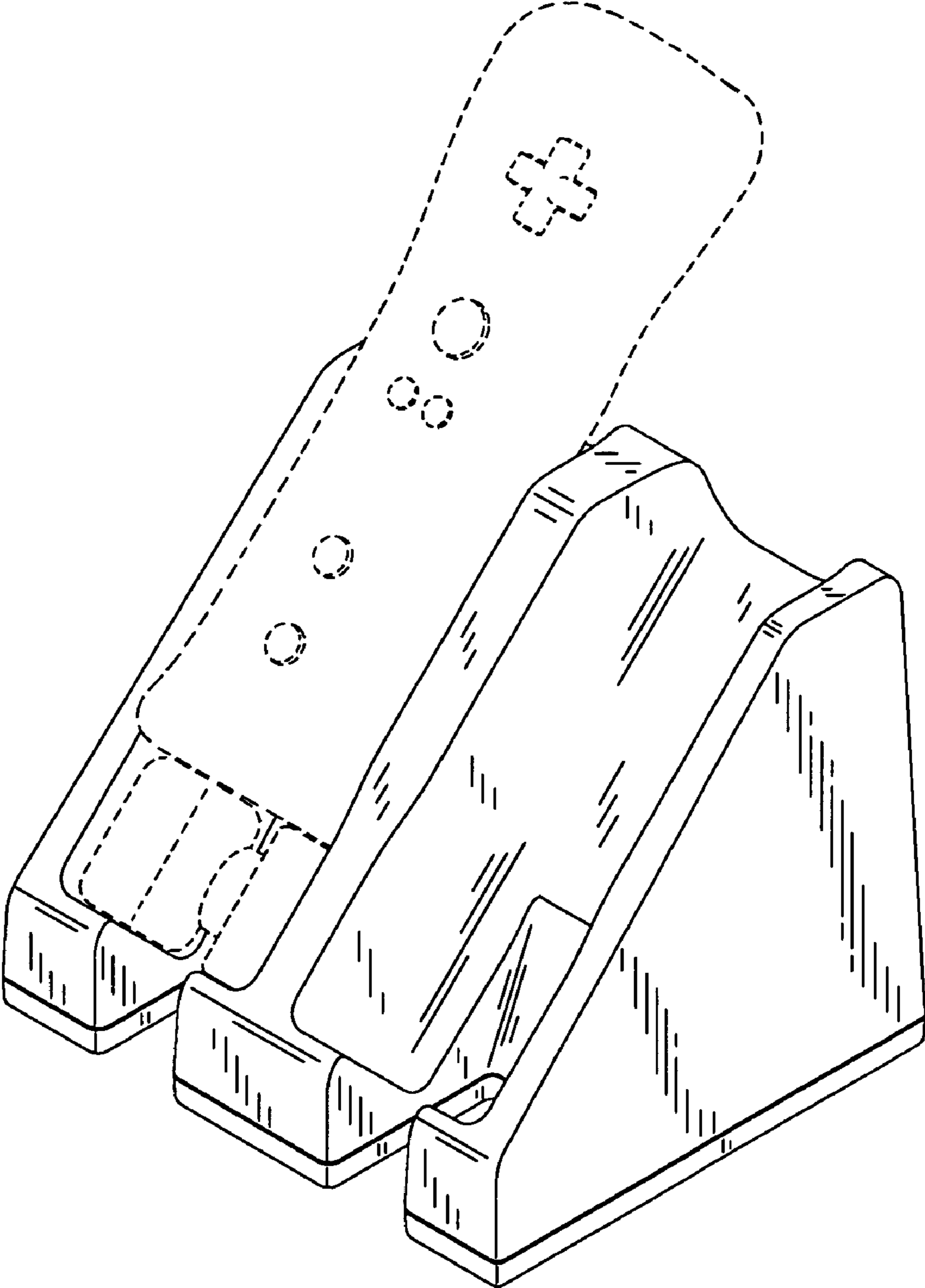


FIG. 11

