



US00D633038S

(12) **United States Design Patent**
Fahrendorff et al.

(10) **Patent No.:** **US D633,038 S**
(45) **Date of Patent:** **** Feb. 22, 2011**

(54) **CHARGING CRADLE**

(75) Inventors: **Anders Fahrendorff**, Ottawa (CA);
Dustin Jonathan Smith, Kitchener
(CA); **Todd Andrew Wood**, Guelph
(CA)

(73) Assignee: **Research In Motion Limited**, Waterloo,
Ontario (CA)

(**) Term: **14 Years**

(21) Appl. No.: **29/344,568**

(22) Filed: **Sep. 30, 2009**

(51) **LOC (9) Cl.** **13-02**

(52) **U.S. Cl.** **D13/108**

(58) **Field of Classification Search** D13/107–110,
D13/118–119, 184; D14/251, 253, 432,
D14/434, 435.1; 320/107–115

See application file for complete search history.

(56) **References Cited**

U.S. PATENT DOCUMENTS

D274,903 S * 7/1984 Eckmann et al. D13/107
D445,975 S * 7/2001 Stratford D32/31
D463,361 S * 9/2002 Ruohonen D13/108
D471,578 S * 3/2003 Okuley D16/242
D510,091 S * 9/2005 Mori et al. D14/434
D516,023 S * 2/2006 Quinn D13/108

D524,730 S * 7/2006 Vu D13/108
D580,855 S * 11/2008 Haspil et al. D13/108
D580,856 S * 11/2008 Haspil et al. D13/108
D603,333 S * 11/2009 Fahrendorff et al. D13/107
D606,491 S * 12/2009 Rosen D13/108
D610,984 S * 3/2010 Khan et al. D13/108

* cited by examiner

Primary Examiner—Rosemary K Tarcza

(57) **CLAIM**

We claim the ornamental design for a charging cradle, as shown and described.

DESCRIPTION

FIG. 1 is a front perspective view of a charging cradle;

FIG. 2 is a back perspective view of the charging cradle;

FIG. 3 is a front elevational view thereof;

FIG. 4 is a back elevational view thereof;

FIG. 5 is a top plan view thereof;

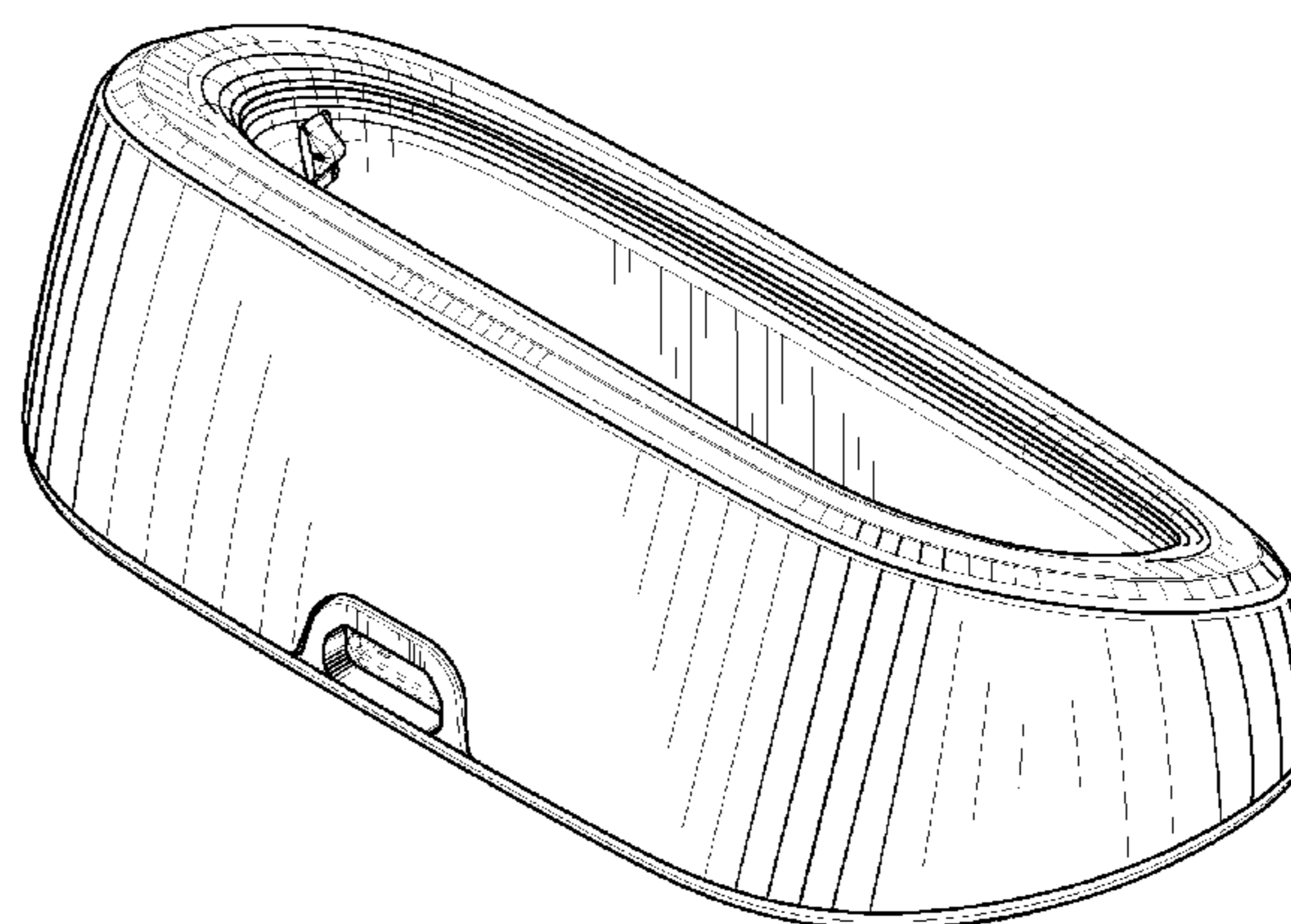
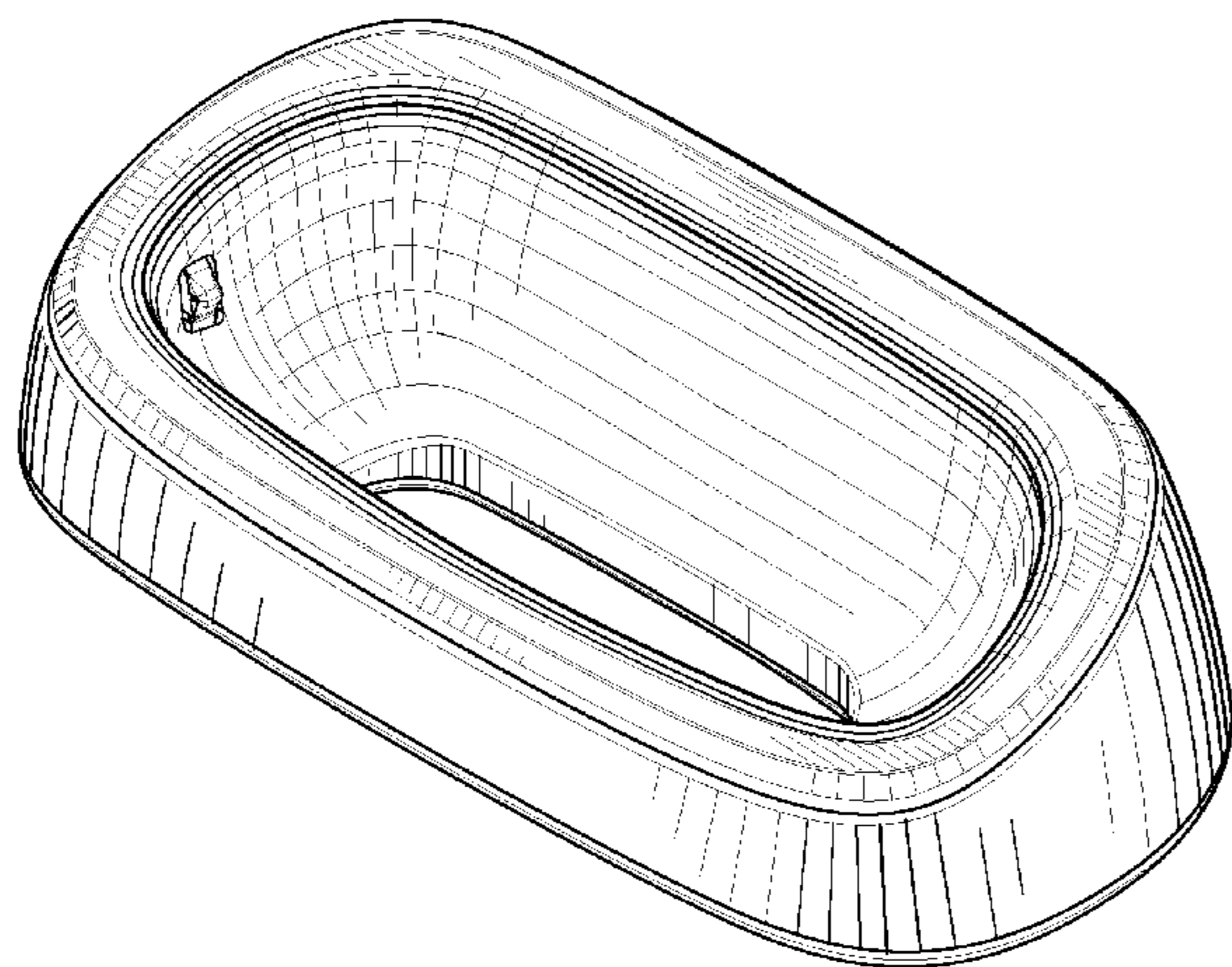
FIG. 6 is a bottom plan view thereof;

FIG. 7 is a left elevational view thereof; and,

FIG. 8 is a right elevational view thereof.

The broken lines shown in the drawings are included for the purpose of illustrating unclaimed portions of the charging cradle and form no part of the claimed design.

1 Claim, 5 Drawing Sheets



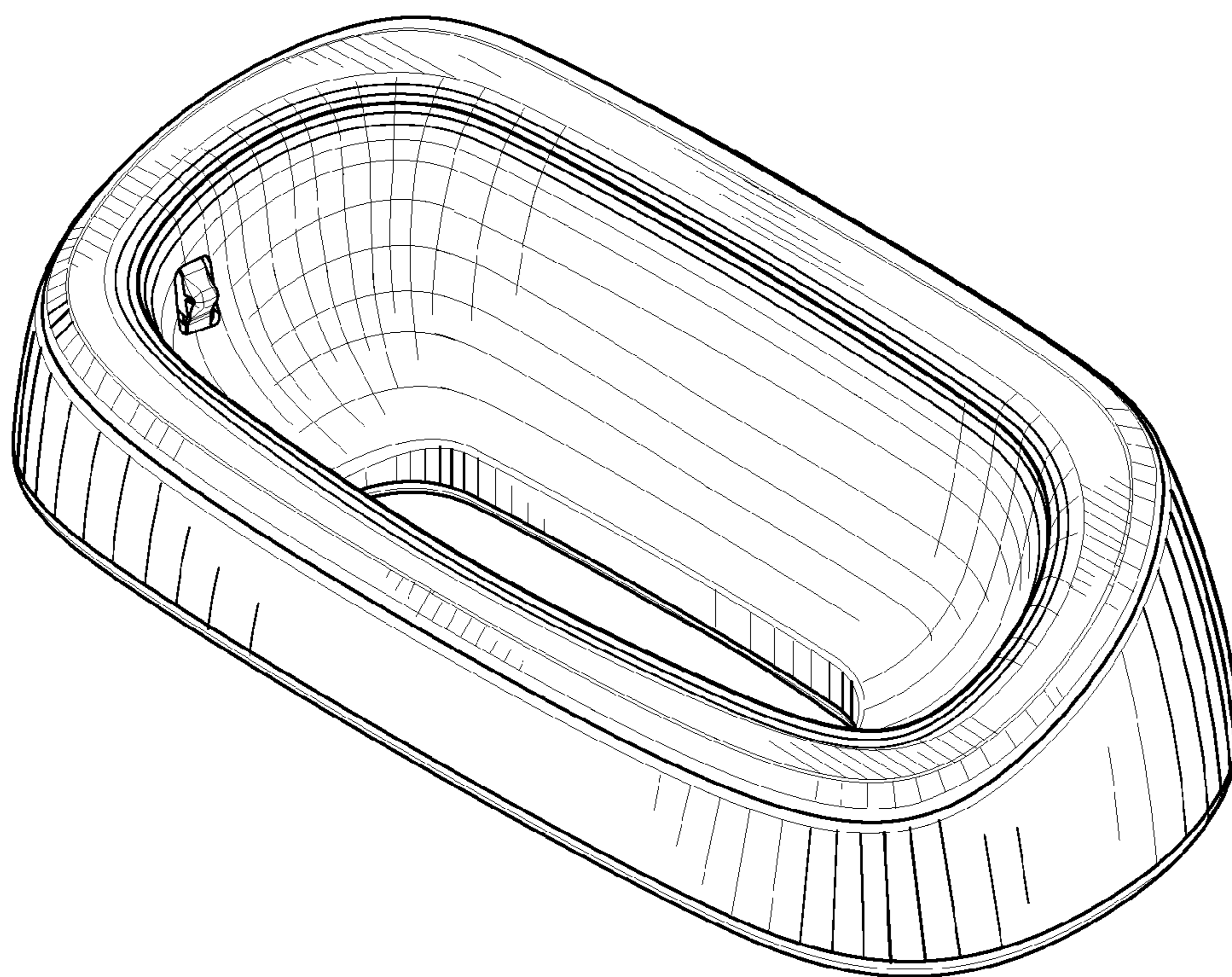


FIG.1

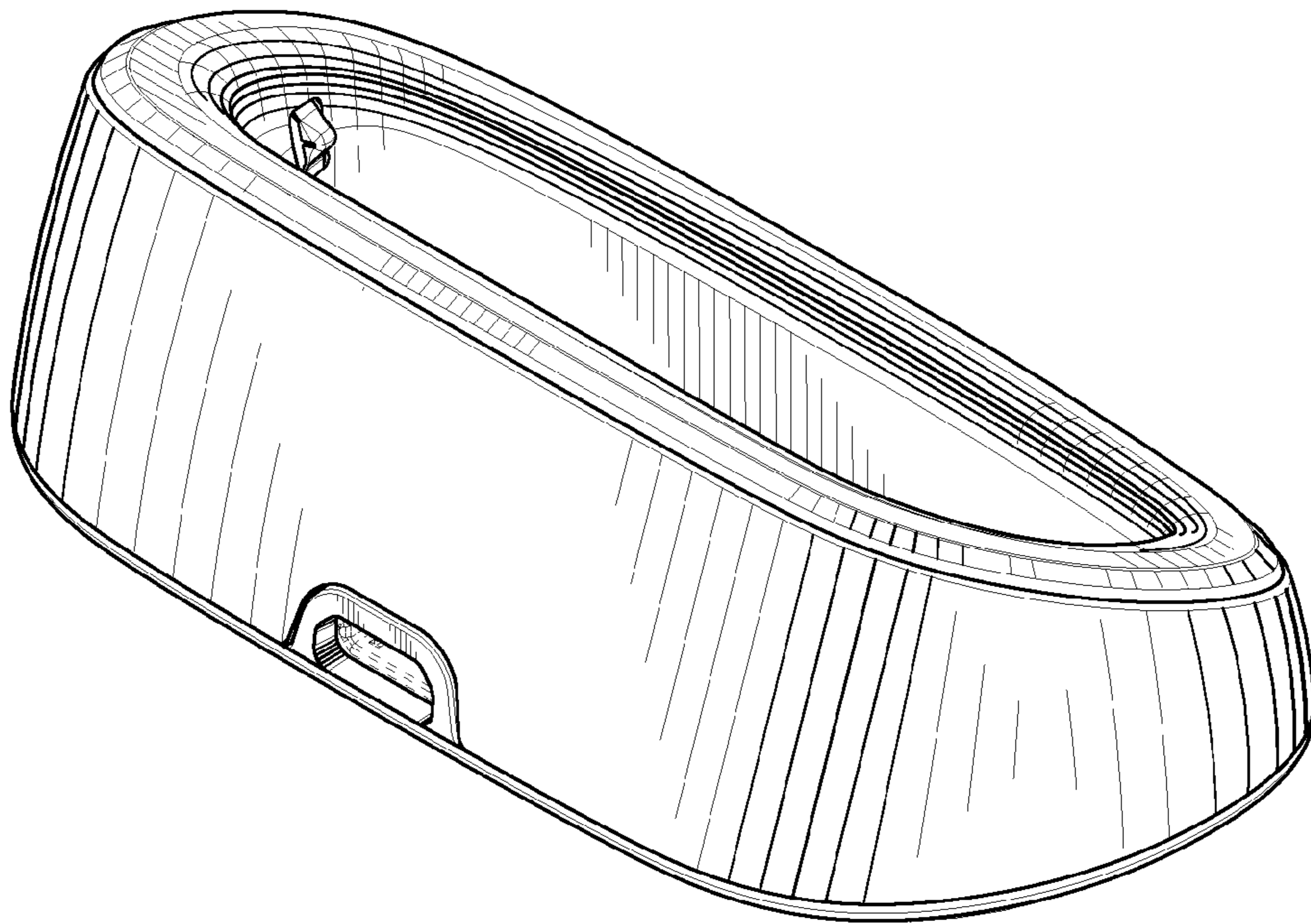


FIG.2

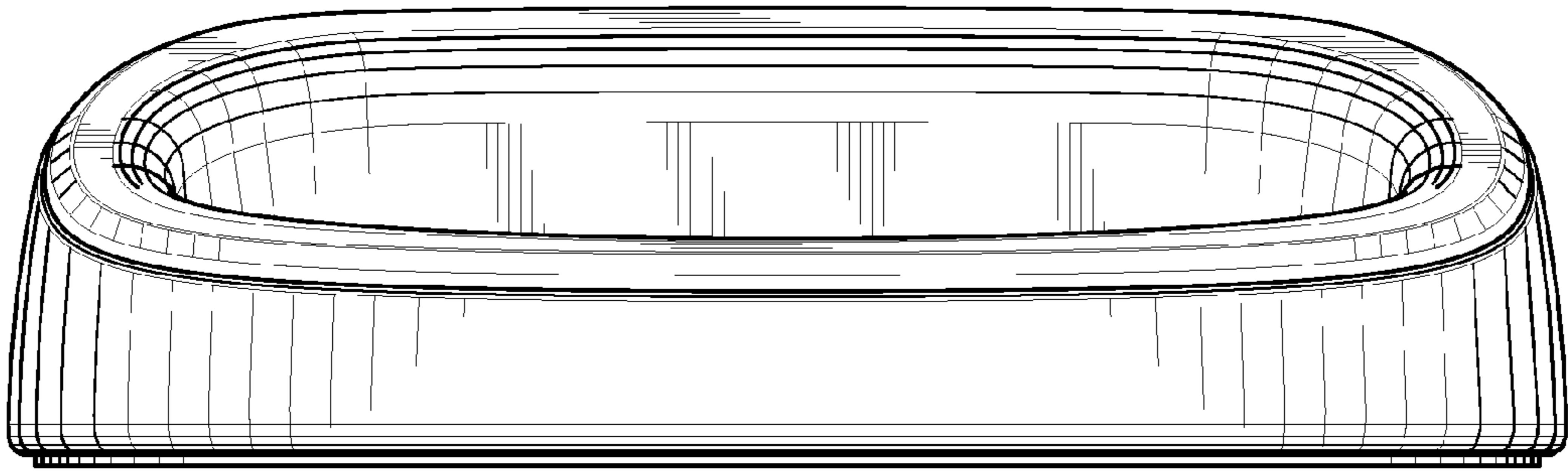


FIG.3

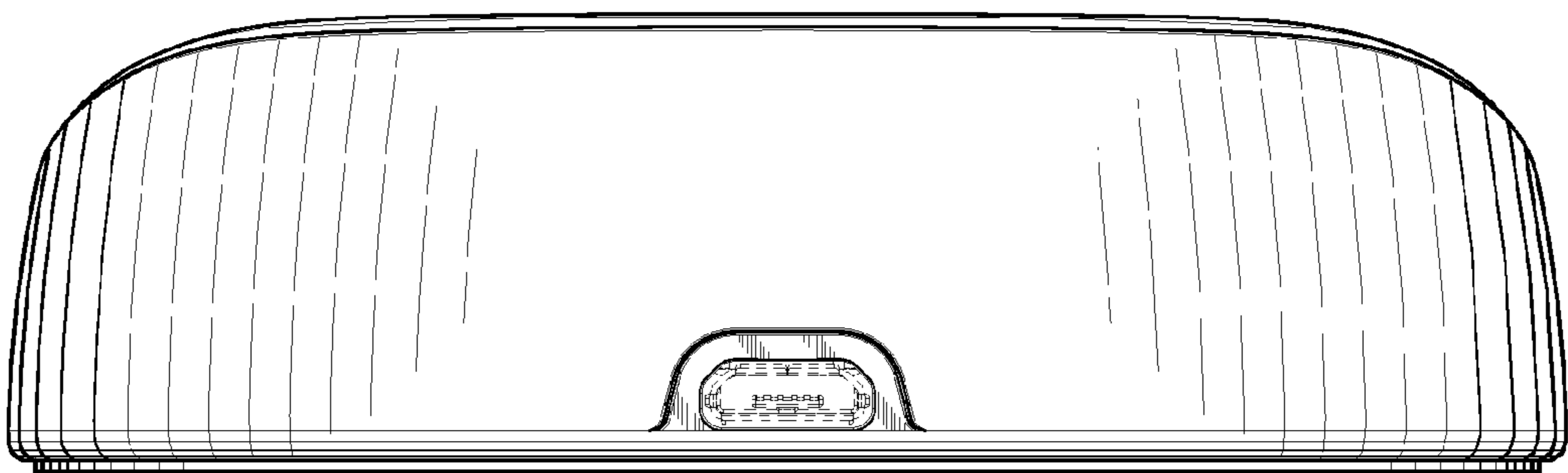


FIG.4

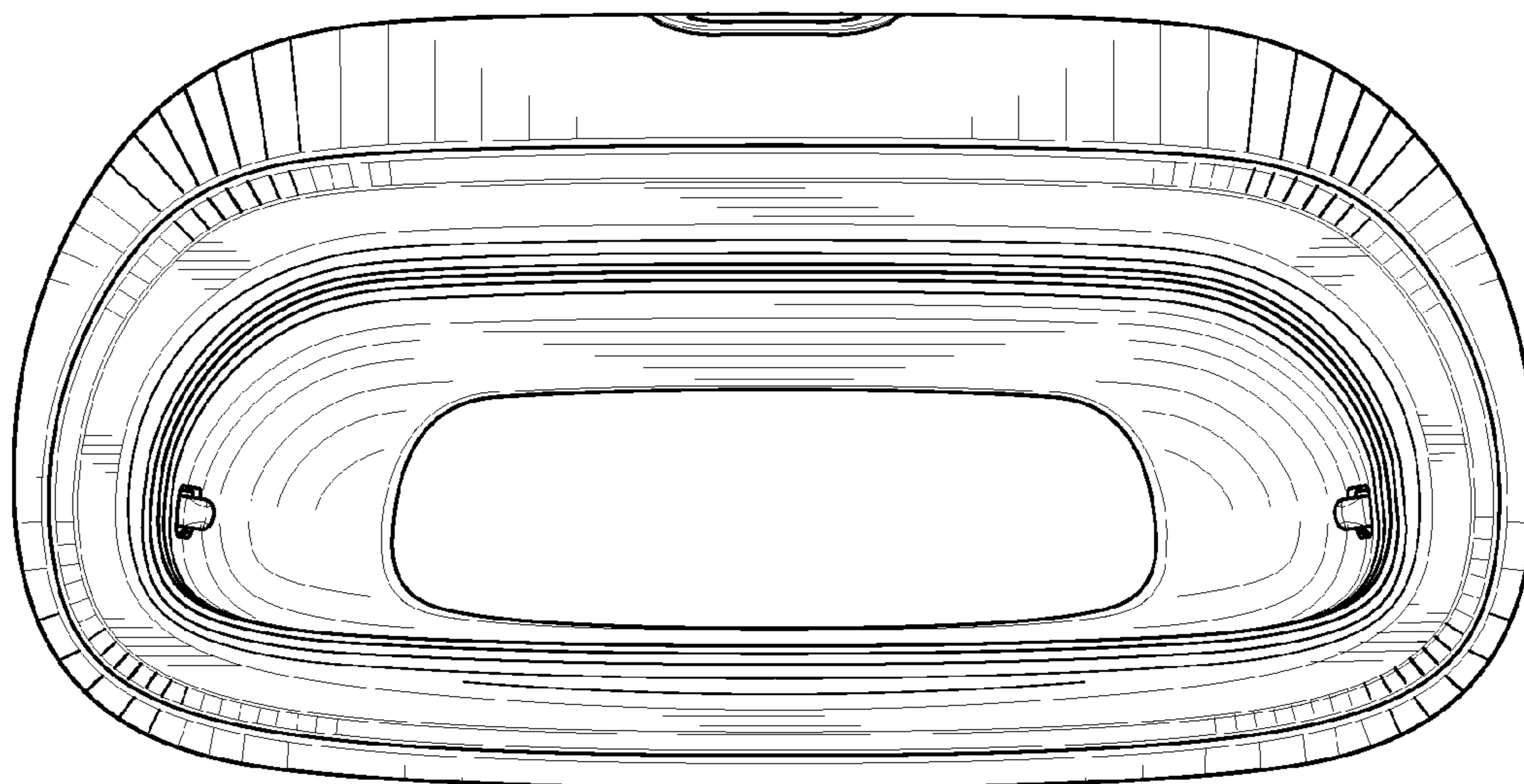


FIG. 5

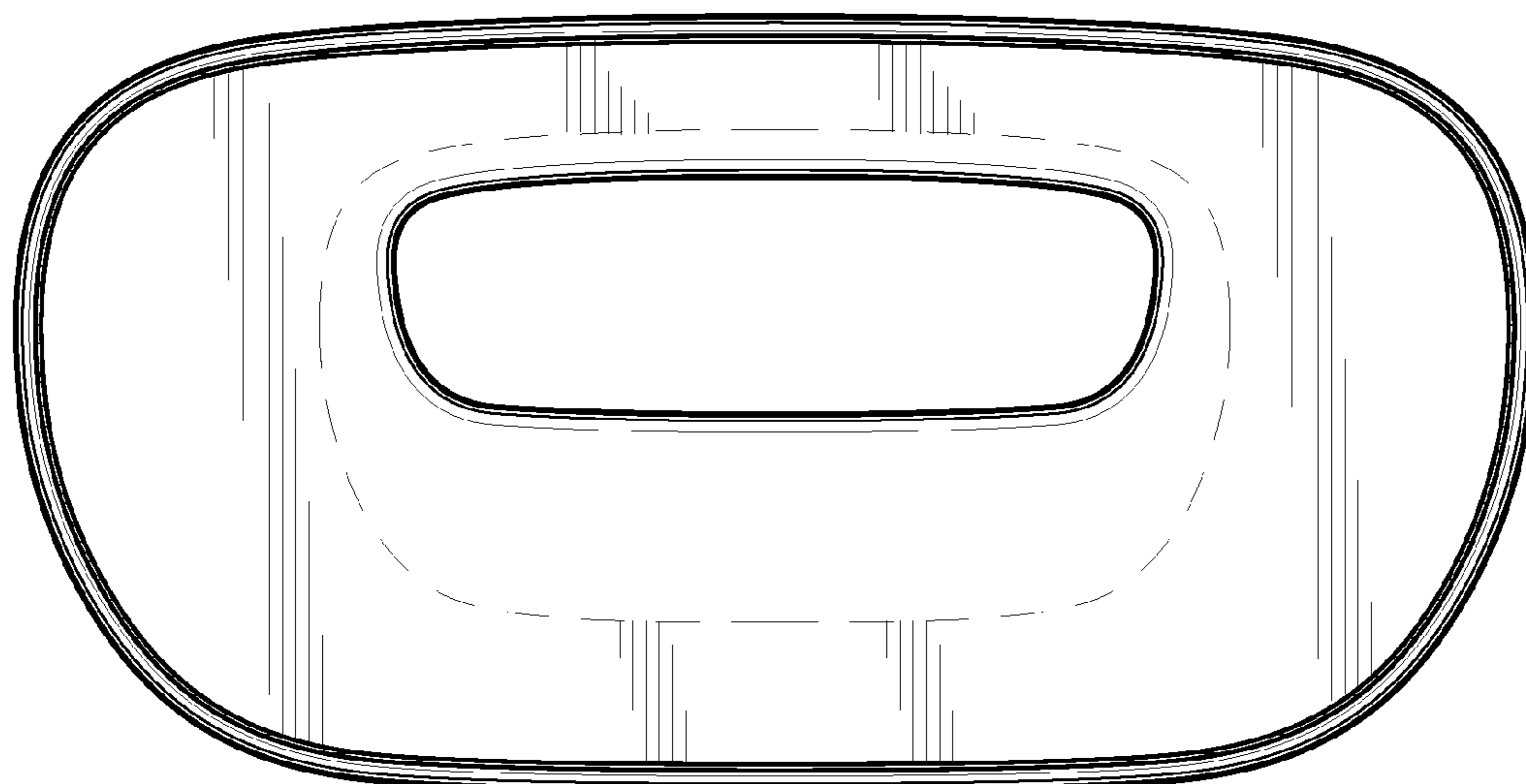


FIG. 6

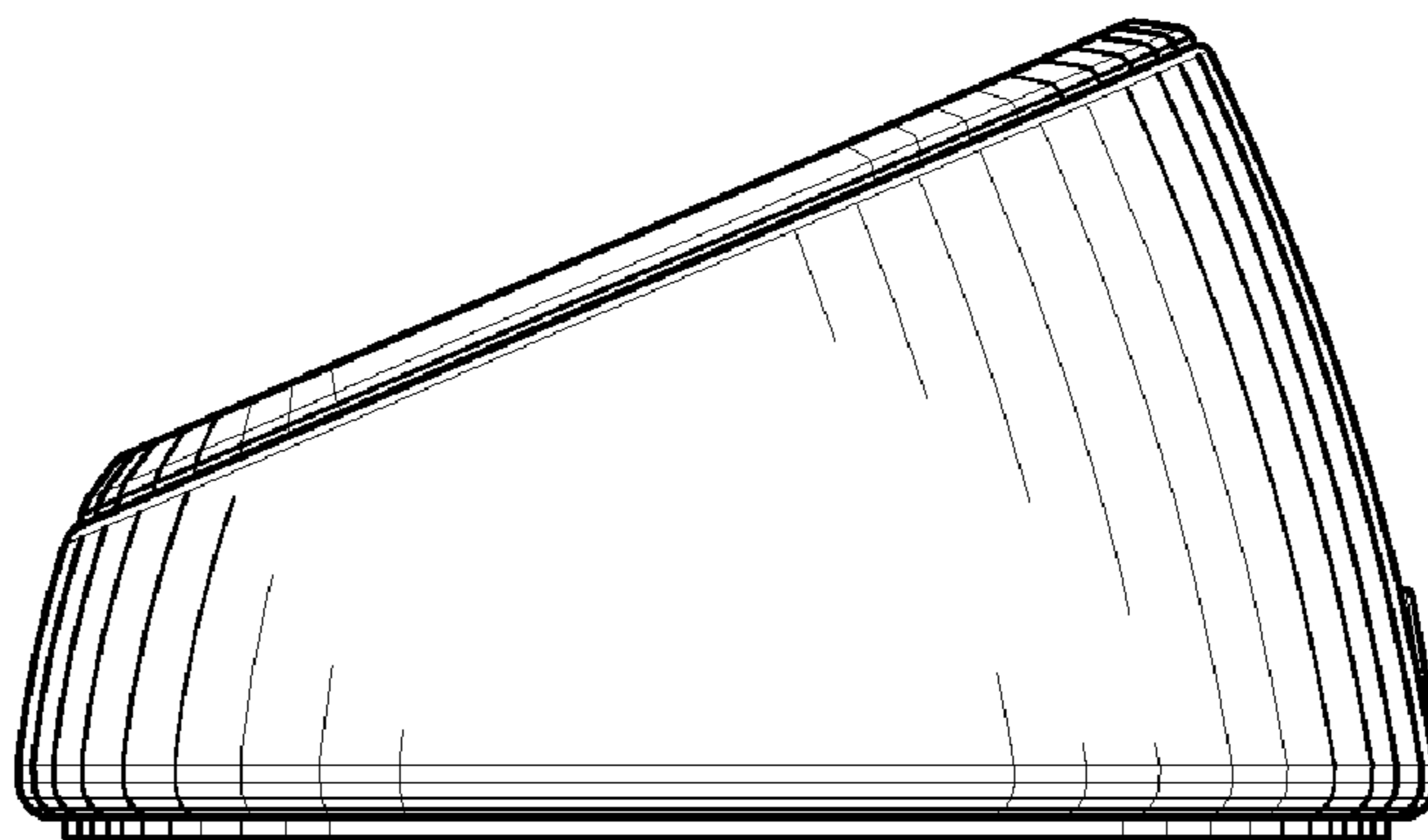


FIG. 7

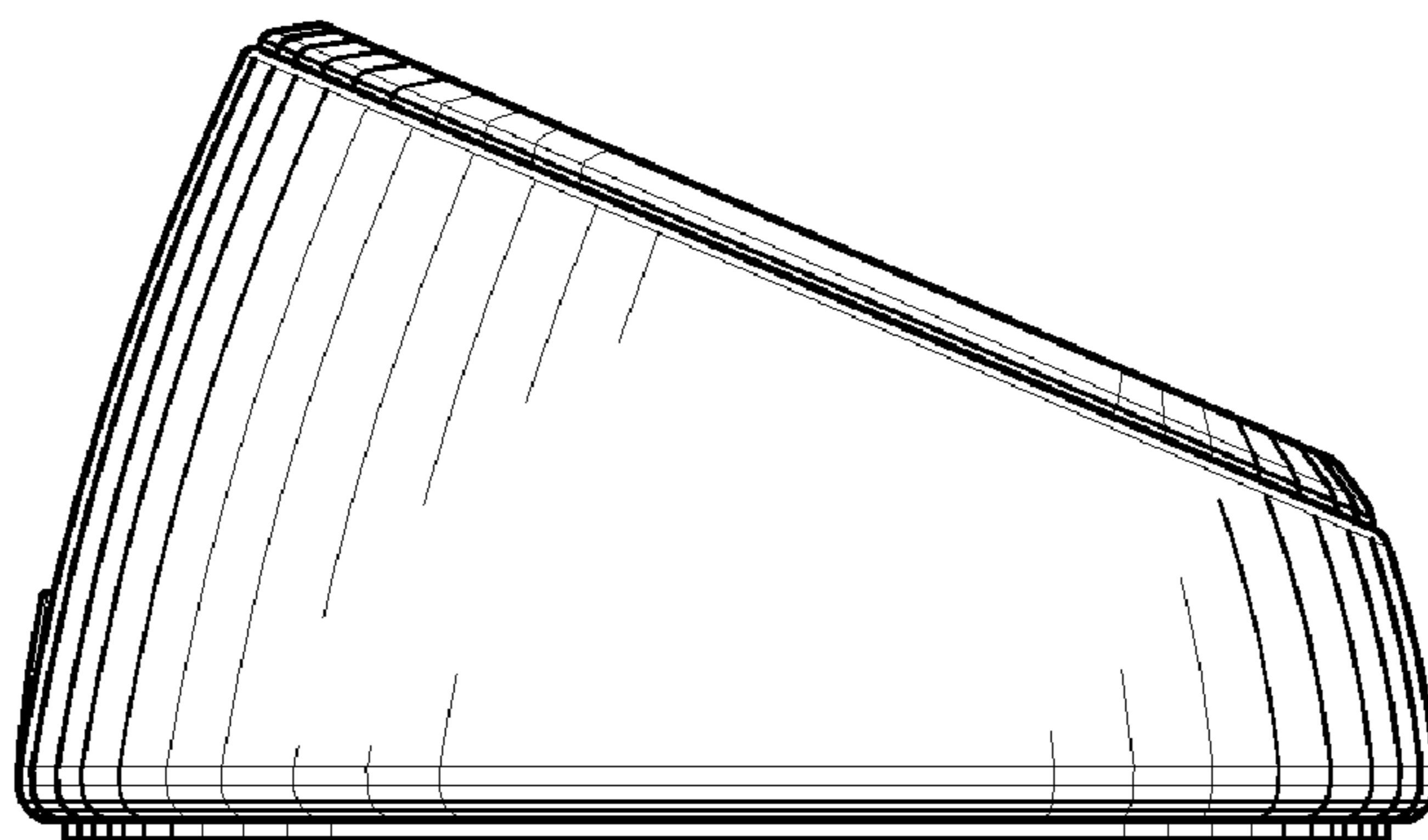


FIG. 8