



US00D633037S

(12) **United States Design Patent**
Tschopp

(10) **Patent No.:** **US D633,037 S**

(45) **Date of Patent:** **** Feb. 22, 2011**

(54) **BATTERY CHARGER**

(75) Inventor: **Tylan A. Tschopp**, Baltimore, MD (US)

(73) Assignee: **Black & Decker Inc.**, Newark, DE (US)

(**) Term: **14 Years**

(21) Appl. No.: **29/369,915**

(22) Filed: **Sep. 15, 2010**

(51) **LOC (9) Cl.** **13-02**

(52) **U.S. Cl.** **D13/107**

(58) **Field of Classification Search** D13/107-110,
D13/118-119, 184, 199; D14/251, 253,
D14/432, 434; 320/107-115

See application file for complete search history.

(56) **References Cited**

U.S. PATENT DOCUMENTS

D484,852	S	*	1/2004	James et al.	D13/107
D519,448	S	*	4/2006	Leung	D13/107
D534,118	S	*	12/2006	Lin	D13/107
D538,739	S	*	3/2007	Zheng	D13/107
D550,615	S	*	9/2007	Tong	D13/107
D594,405	S	*	6/2009	Murray et al.	D13/107
D623,189	S	*	9/2010	Son et al.	D14/434

OTHER PUBLICATIONS

Troy-Bilt 20v Lithium Ion Battery Charger—Troy-Bilt web page.

Craftsman Lithium-Ion 20v Cordless Charging System, Smart Charge, found on Sears website.

* cited by examiner

Primary Examiner—Rosemary K Tarcza

(74) *Attorney, Agent, or Firm*—Stephen R. Valancius

(57) **CLAIM**

The ornamental design for a battery charger, as shown and described.

DESCRIPTION

FIG. 1 is a perspective view of a battery charger according to the present invention;

FIG. 2 is a front view of the battery charger of FIG. 1;

FIG. 3 is a back view of the battery charger of FIG. 1;

FIG. 4 is a right side view of the battery charger of FIG. 1;

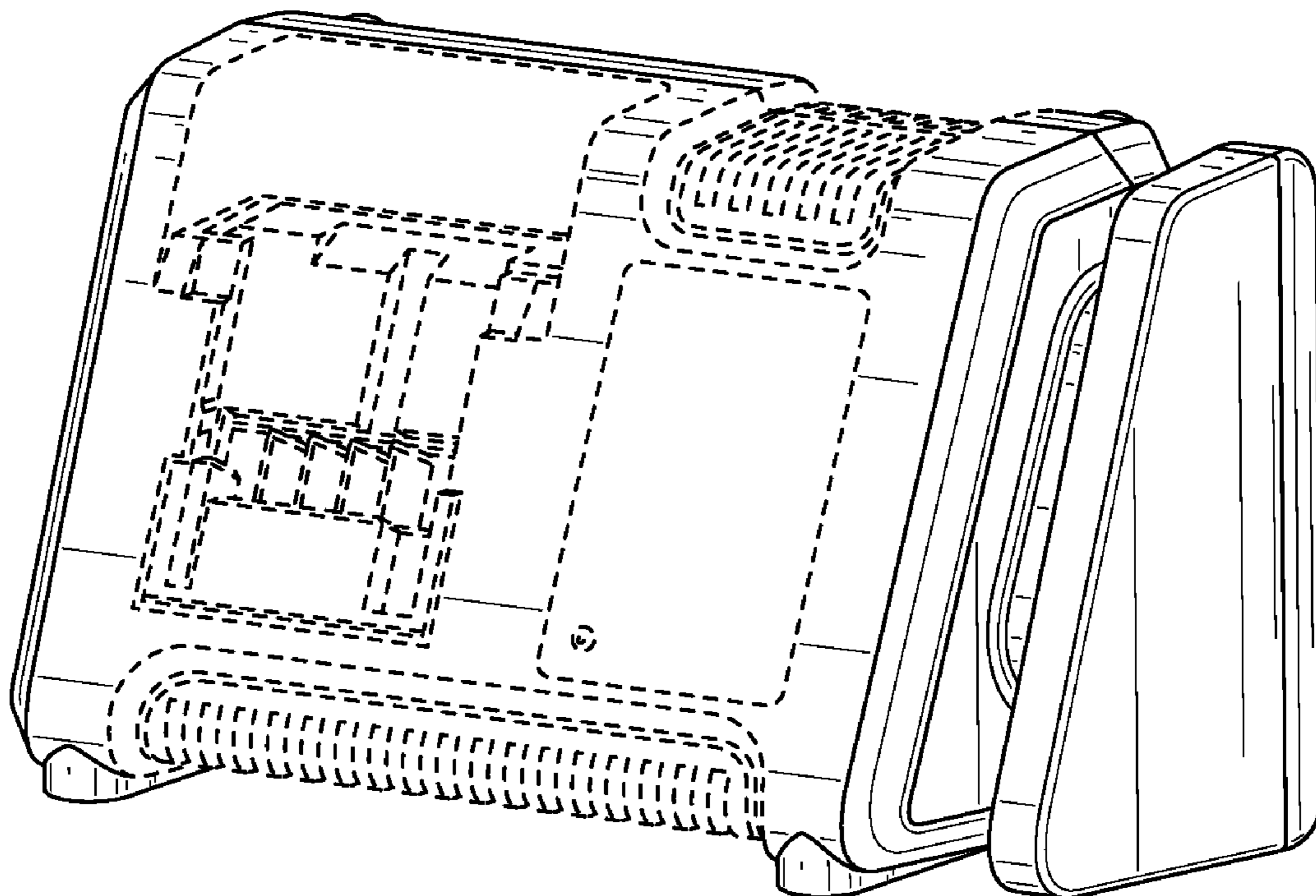
FIG. 5 is a left side view of the battery charger of FIG. 1;

FIG. 6 is a top view of the battery charger of FIG. 1; and,

FIG. 7 is a bottom view of the battery charger of FIG. 1.

The broken lines in the figures merely illustrate the environment for the battery charger of the present design and therefore form no part of the claimed design.

1 Claim, 4 Drawing Sheets



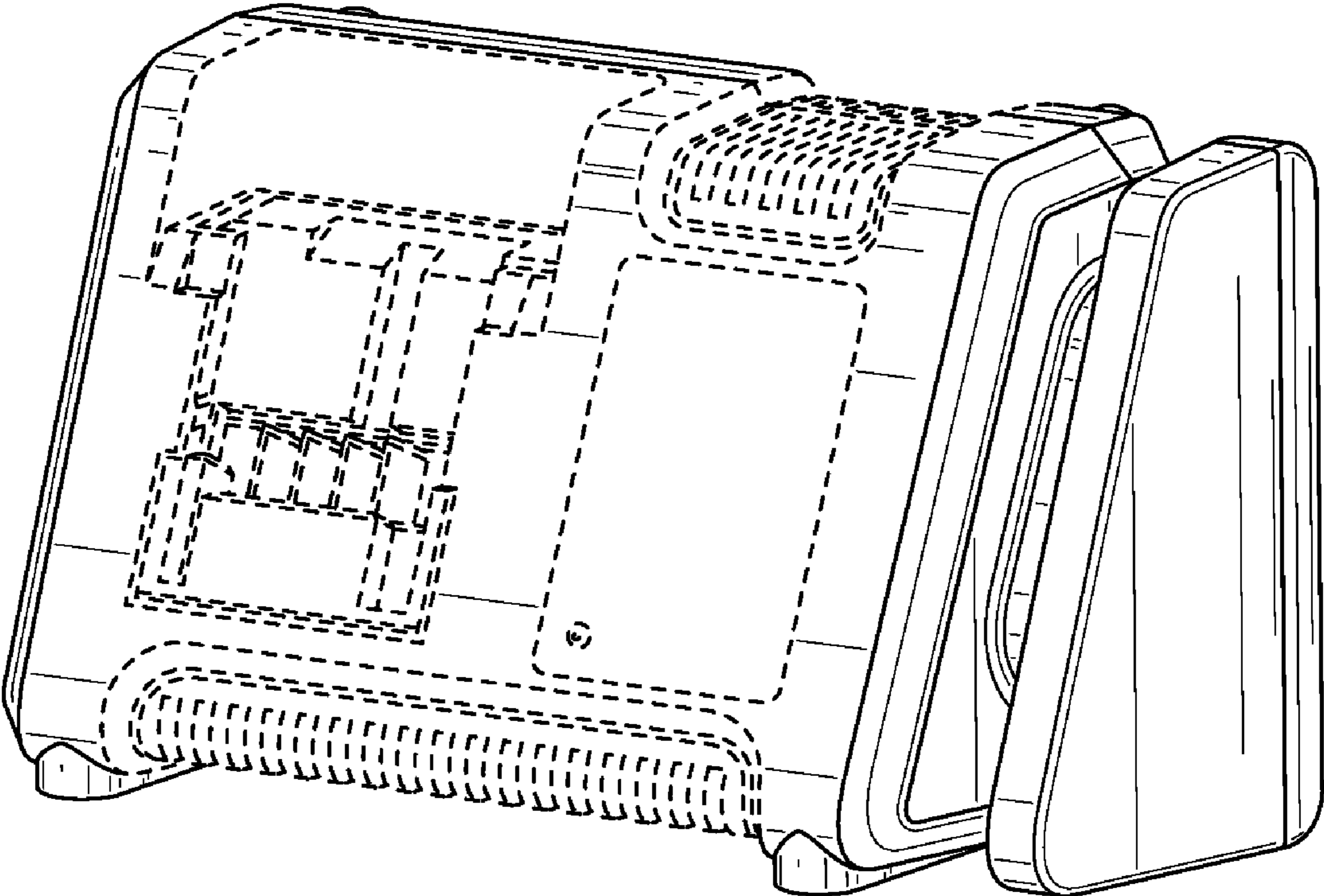


FIG. 1

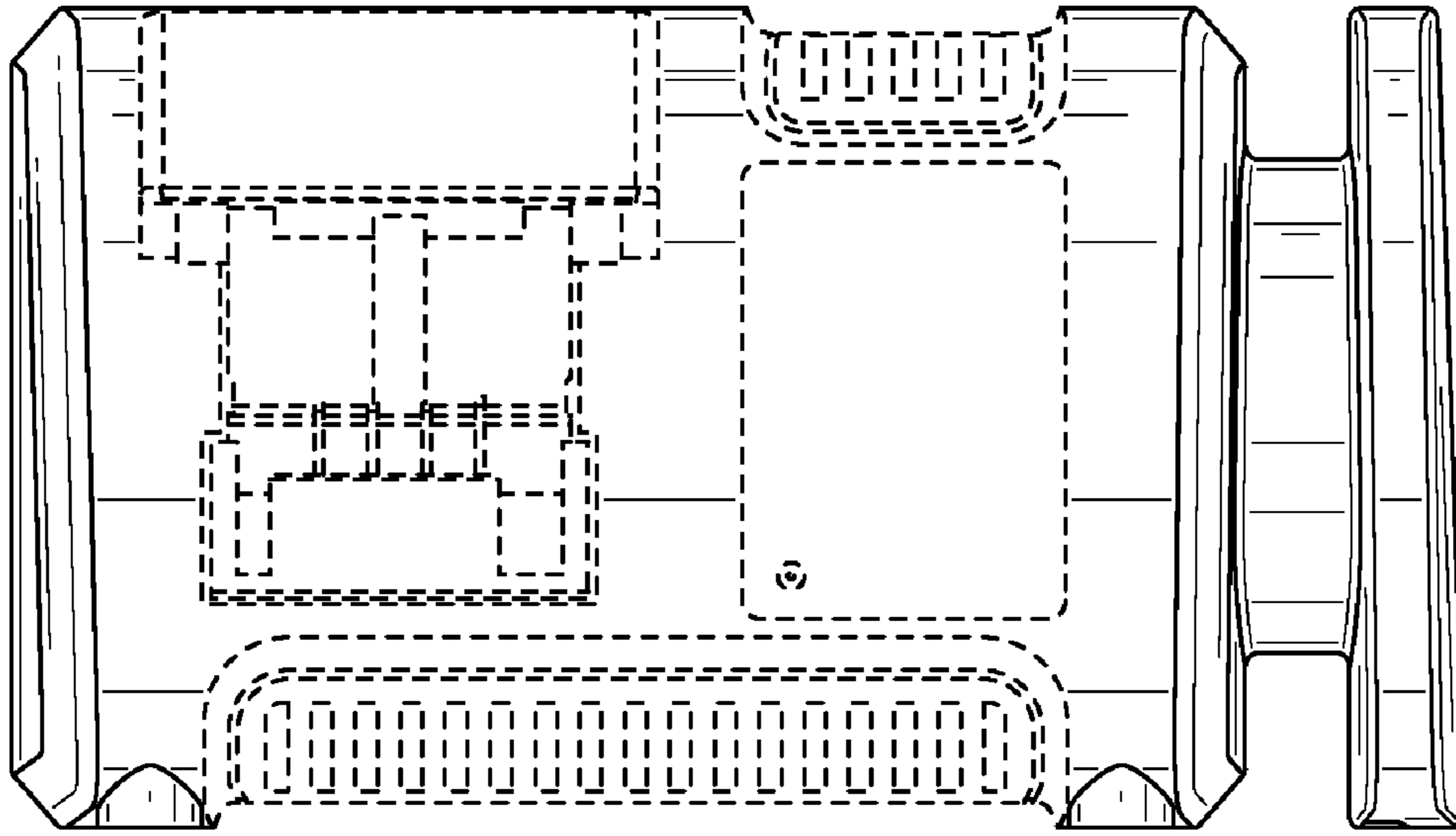


FIG. 2

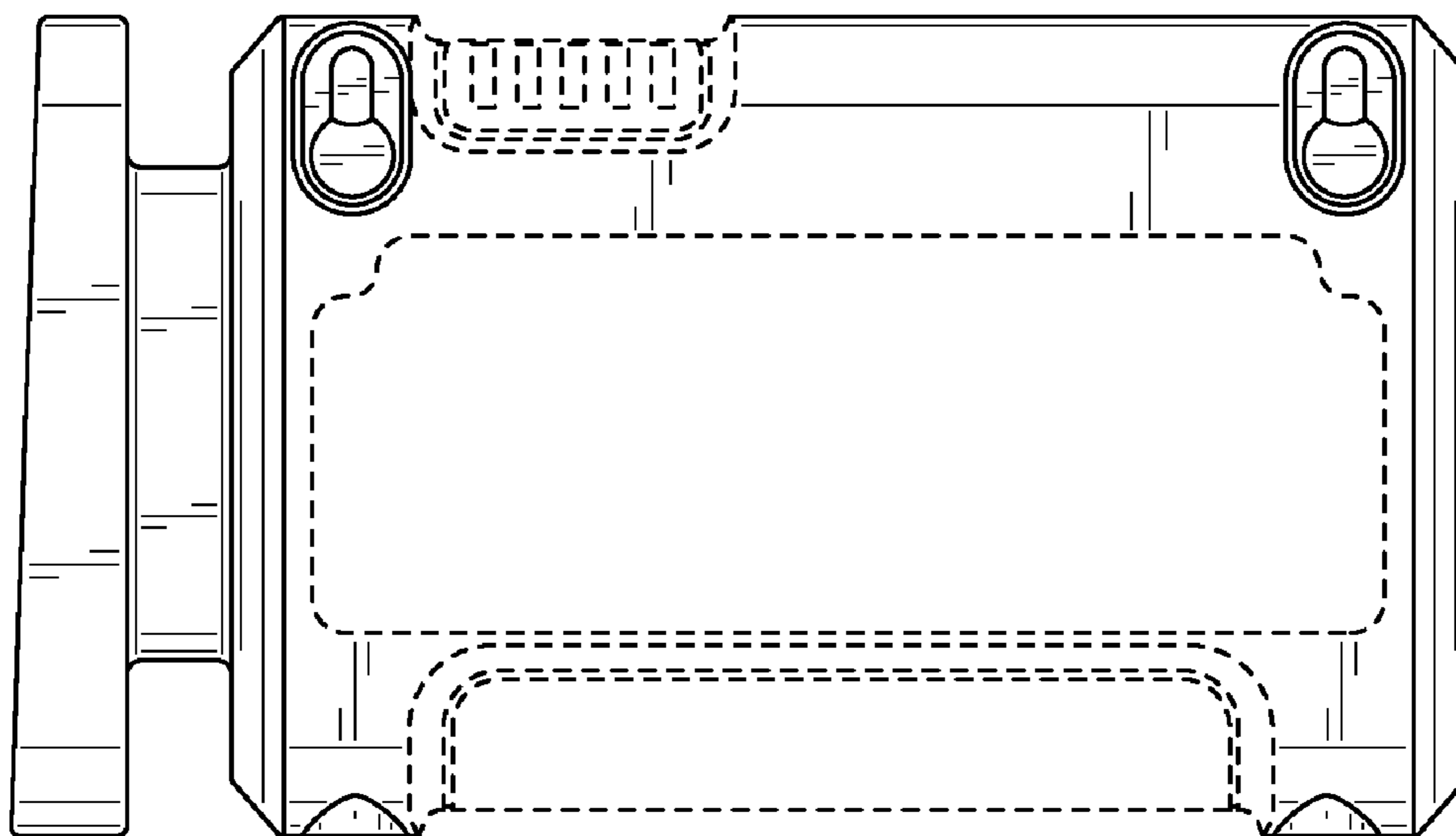


FIG. 3

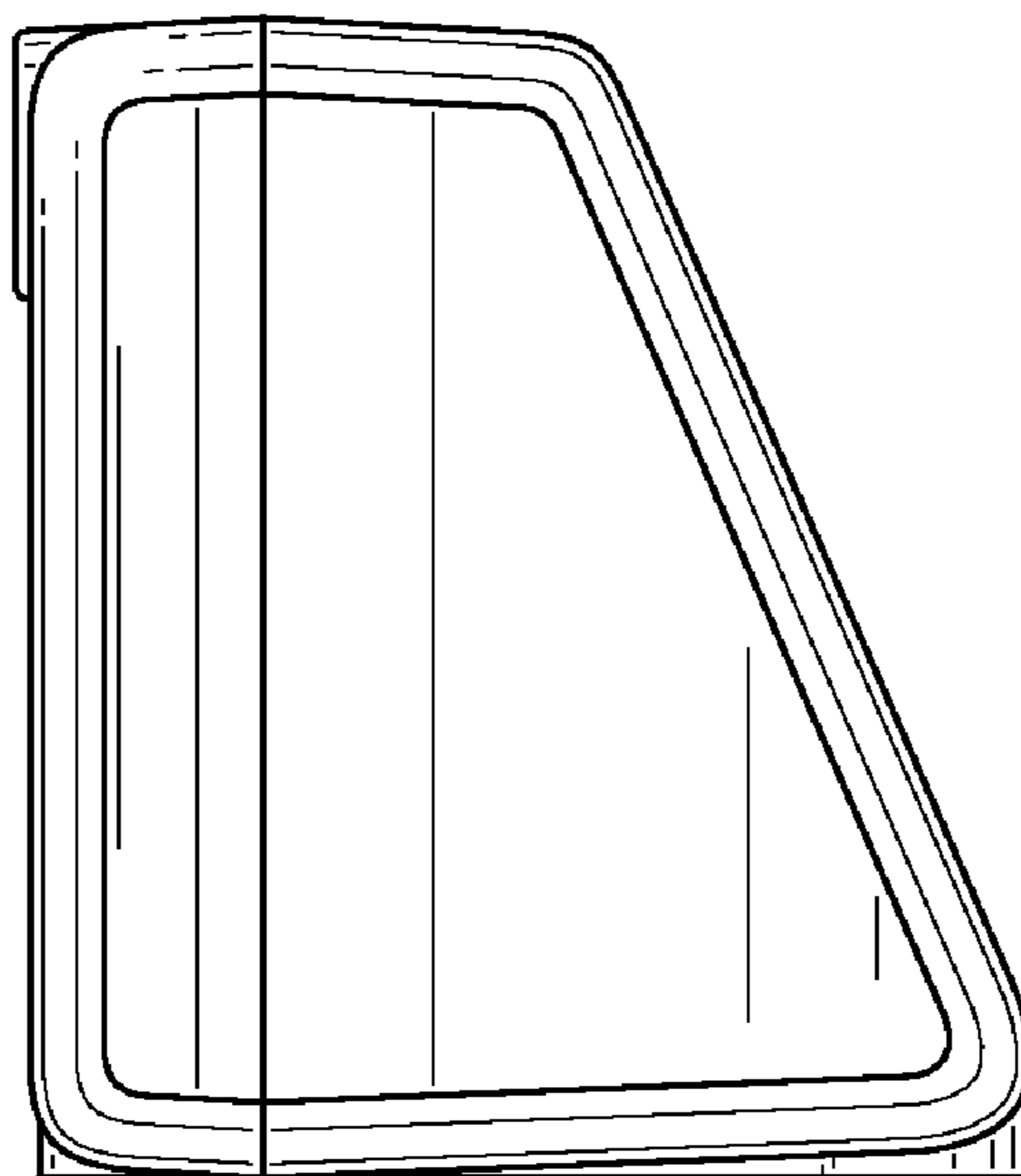


FIG. 4

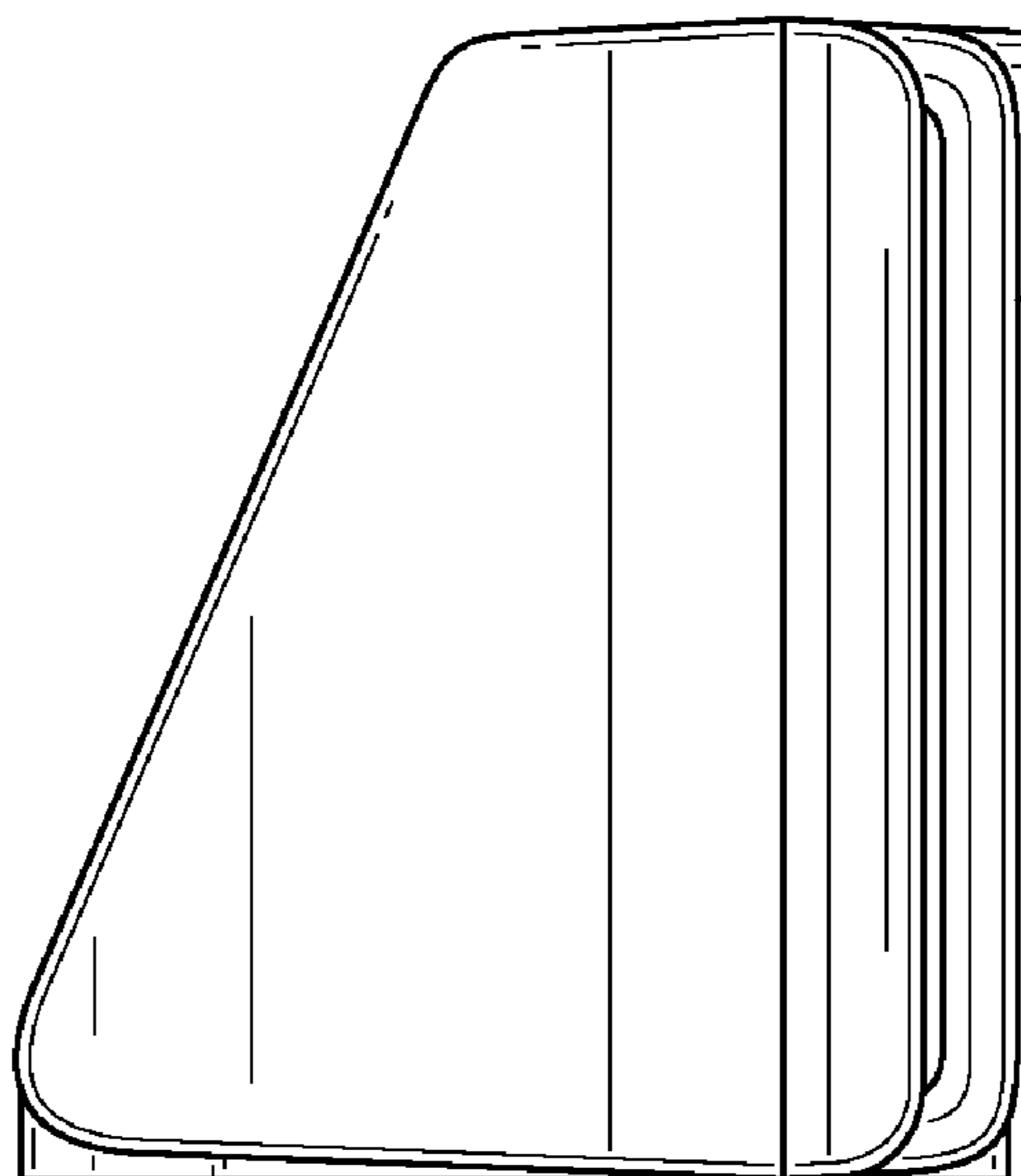


FIG. 5

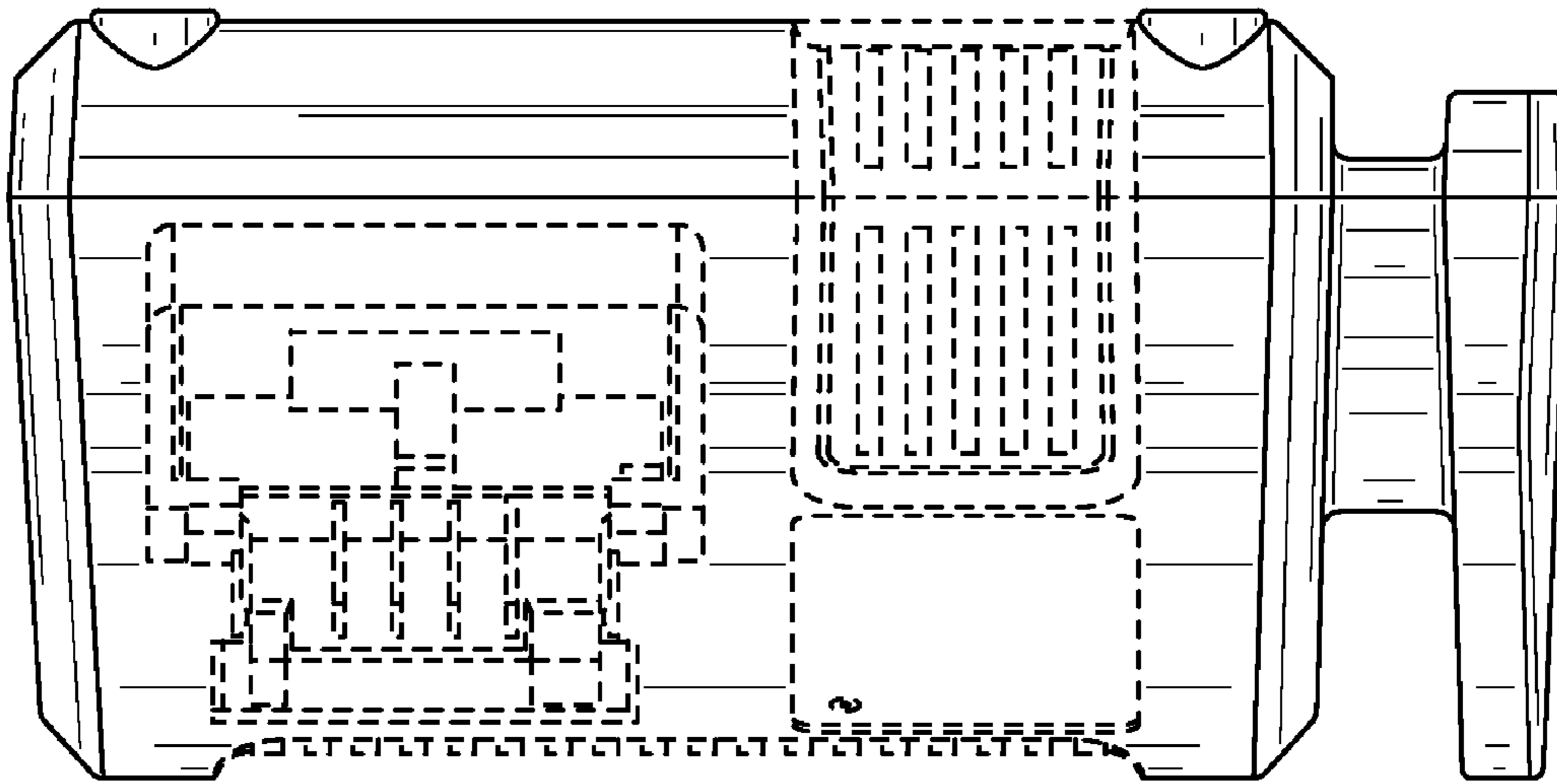


FIG. 6

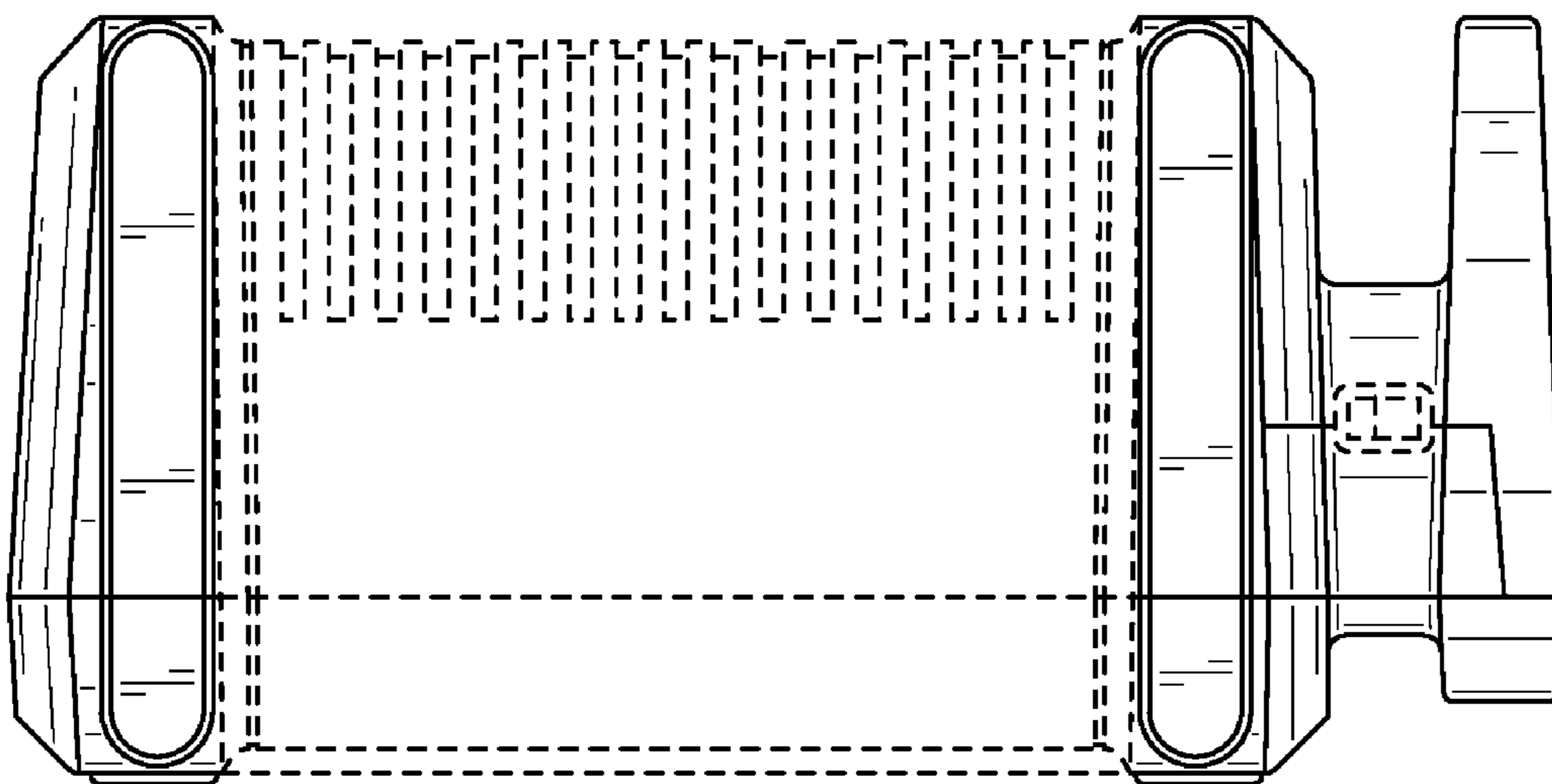


FIG. 7