



US00D633036S

(12) **United States Design Patent**  
**Murray**

(10) **Patent No.:** **US D633,036 S**

(45) **Date of Patent:** **\*\* Feb. 22, 2011**

(54) **POWER TOOL BATTERY PACK**

2009/0202894 A1\* 8/2009 Bublitz ..... 429/99

(75) Inventor: **Thomas W. Murray**, Baltimore, MD  
(US)

\* cited by examiner

*Primary Examiner*—Rosemary K Tarcza

(74) *Attorney, Agent, or Firm*—Stephen R. Valancius

(73) Assignee: **Black & Decker Inc.**, Newark, DE (US)

(\*\*) Term: **14 Years**

(57) **CLAIM**

(21) Appl. No.: **29/367,574**

The ornamental design for a power tool battery pack, as shown and described.

(22) Filed: **Aug. 10, 2010**

**DESCRIPTION**

(51) **LOC (9) Cl.** ..... **13-02**

FIG. 1 is a perspective view of a power tool battery pack according to the present invention;

(52) **U.S. Cl.** ..... **D13/103**

FIG. 2 is a front view of the power tool battery pack of FIG. 1;

(58) **Field of Classification Search** ..... D13/102–106,  
D13/110, 118–121, 184, 199; 429/96–100,  
429/163, 176, 187

FIG. 3 is a back view of the power tool battery pack of FIG. 1;

See application file for complete search history.

FIG. 4 is a right side view of the power tool battery pack of FIG. 1;

(56) **References Cited**

FIG. 5 is a left side view of the power tool battery pack of FIG. 1;

**U.S. PATENT DOCUMENTS**

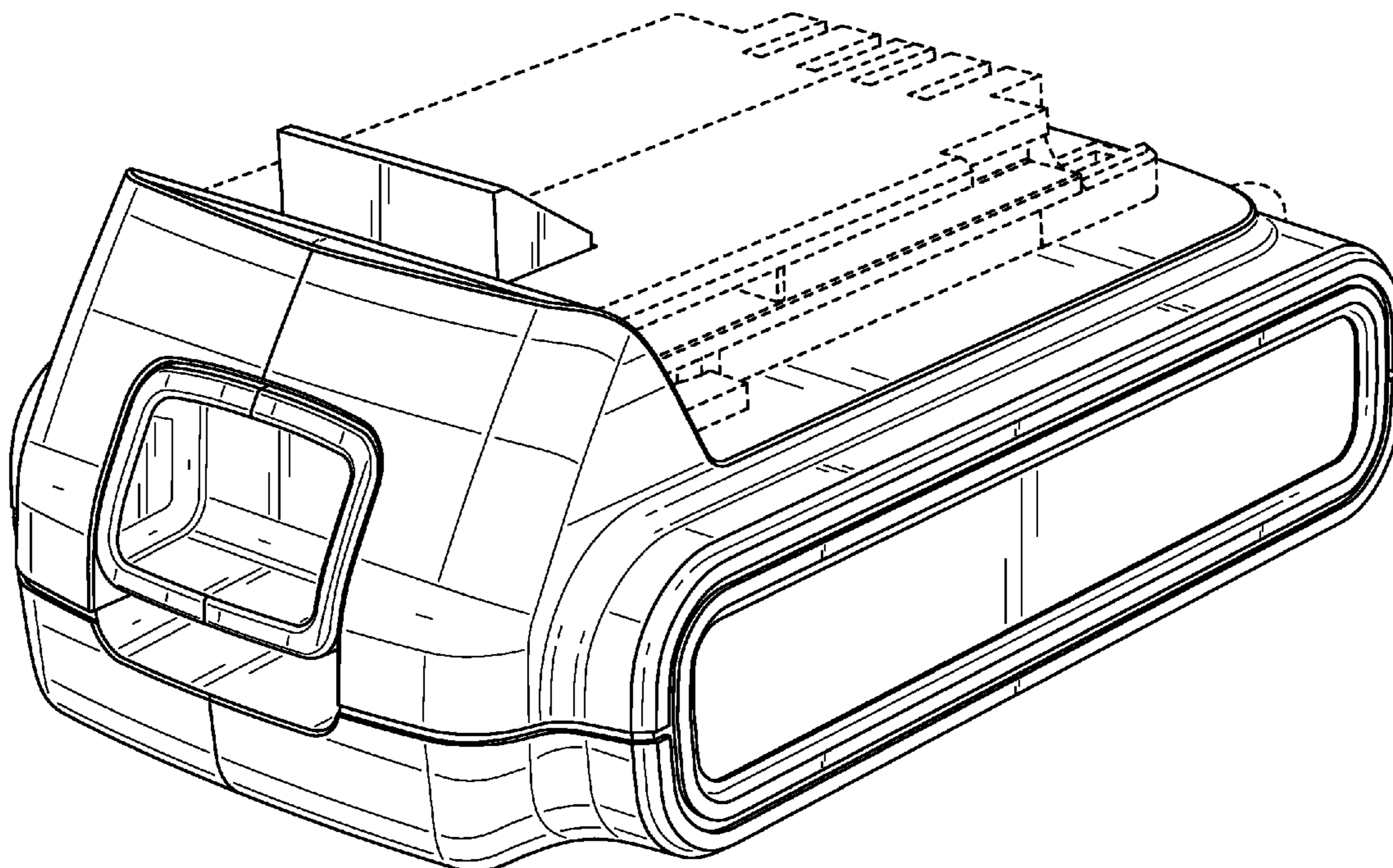
FIG. 6 is a top view of the power tool battery pack of FIG. 1; and,

|              |         |               |       |         |
|--------------|---------|---------------|-------|---------|
| D545,759 S * | 7/2007  | Ino et al.    | ..... | D13/103 |
| D550,152 S * | 9/2007  | Okuda et al.  | ..... | D13/103 |
| D555,086 S * | 11/2007 | Zhang         | ..... | D13/103 |
| D588,986 S * | 3/2009  | Zhang         | ..... | D13/110 |
| D589,439 S * | 3/2009  | Van Wambeke   | ..... | D13/103 |
| D589,440 S * | 3/2009  | Van Wambeke   | ..... | D13/103 |
| D589,441 S * | 3/2009  | Van Wambeke   | ..... | D13/103 |
| D598,373 S * | 8/2009  | Aglassinger   | ..... | D13/103 |
| D610,082 S * | 2/2010  | Sweeney       | ..... | D13/103 |
| D610,537 S * | 2/2010  | Sweeney       | ..... | D13/103 |
| D622,661 S * | 8/2010  | Yamada et al. | ..... | D13/103 |

FIG. 7 is a bottom view of the power tool battery pack of FIG. 1.

The broken lines in the figures merely illustrate the environment for the power tool battery pack of the present design and therefore form no part of the claimed design.

**1 Claim, 7 Drawing Sheets**



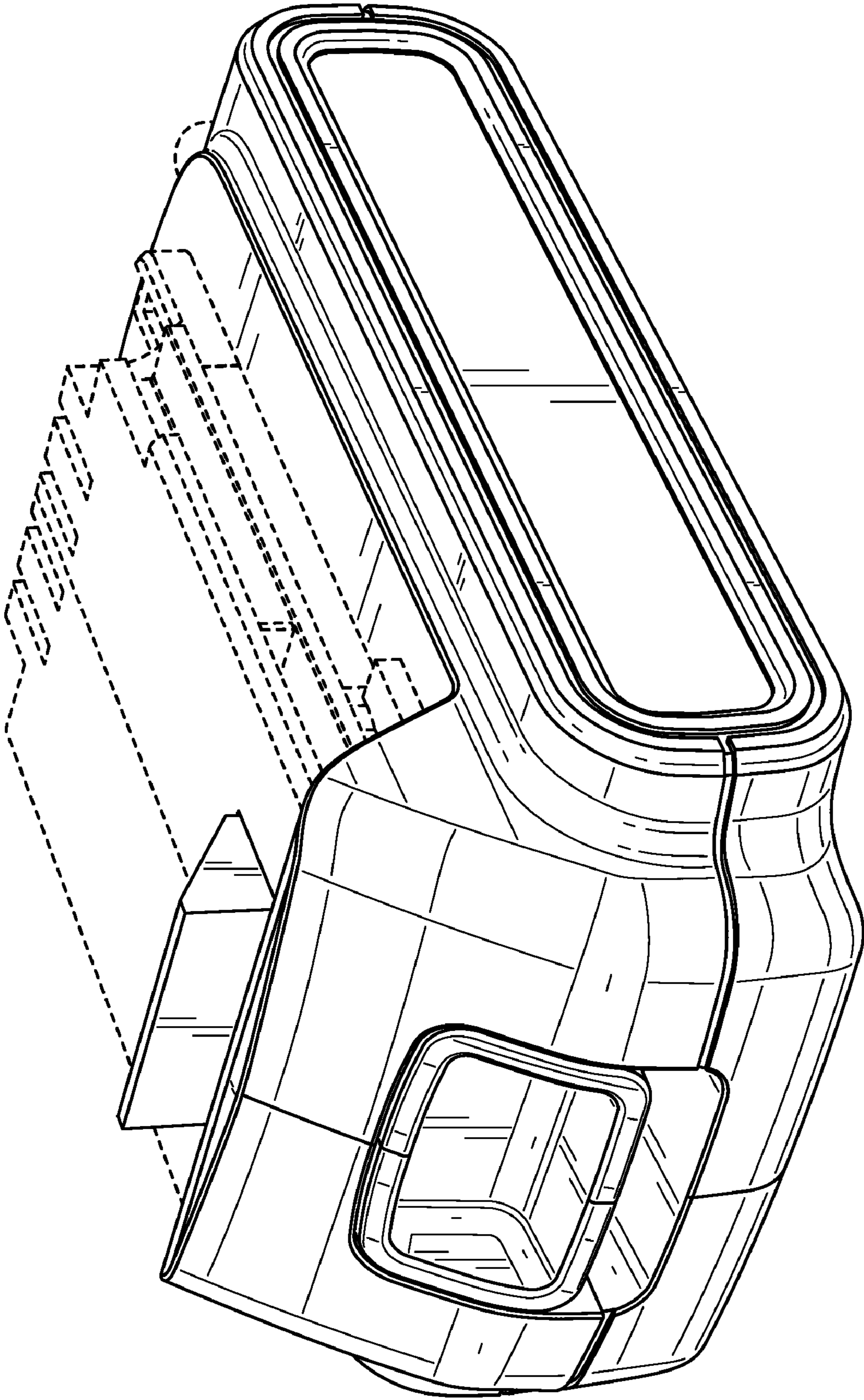


FIG. 1

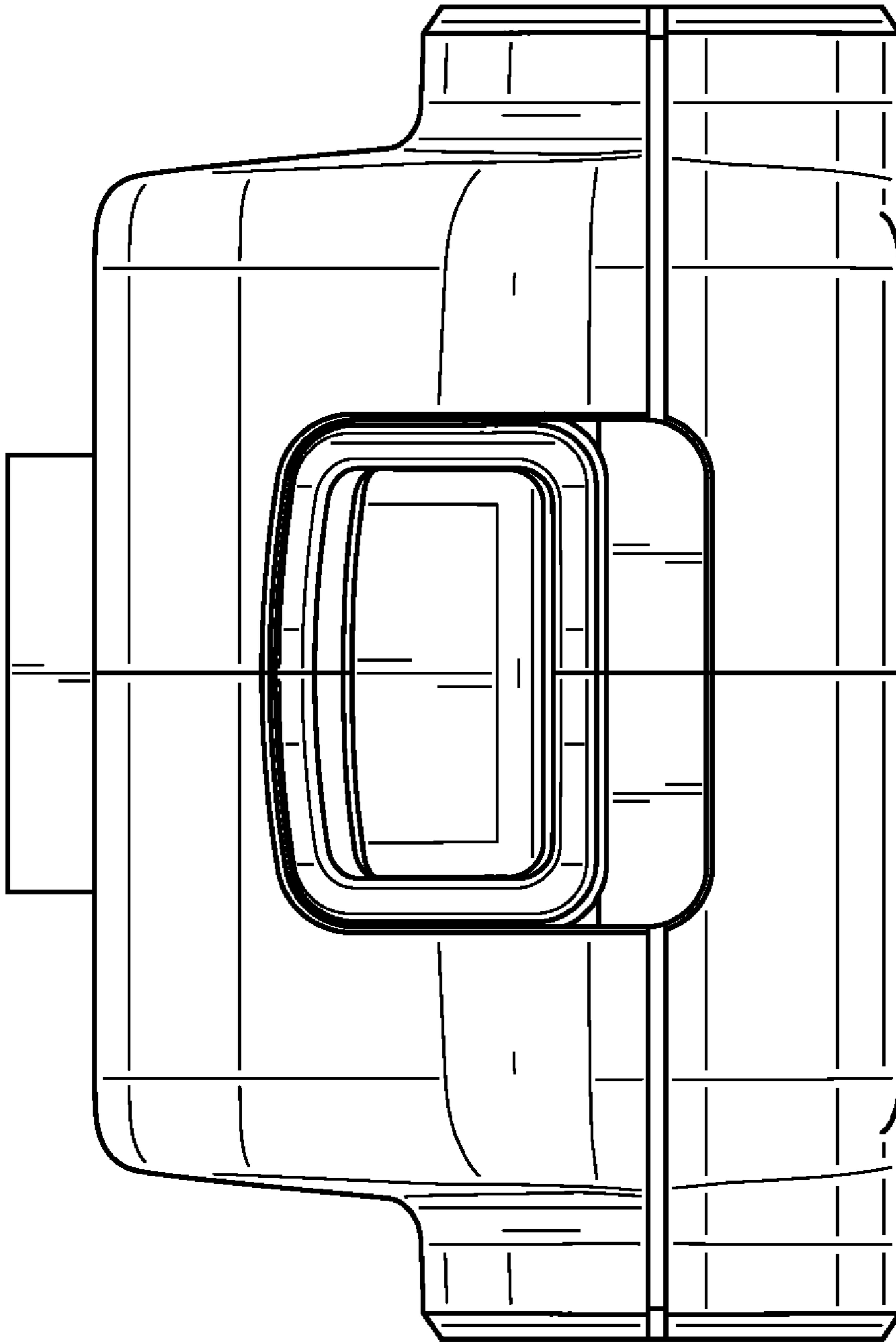


FIG. 2

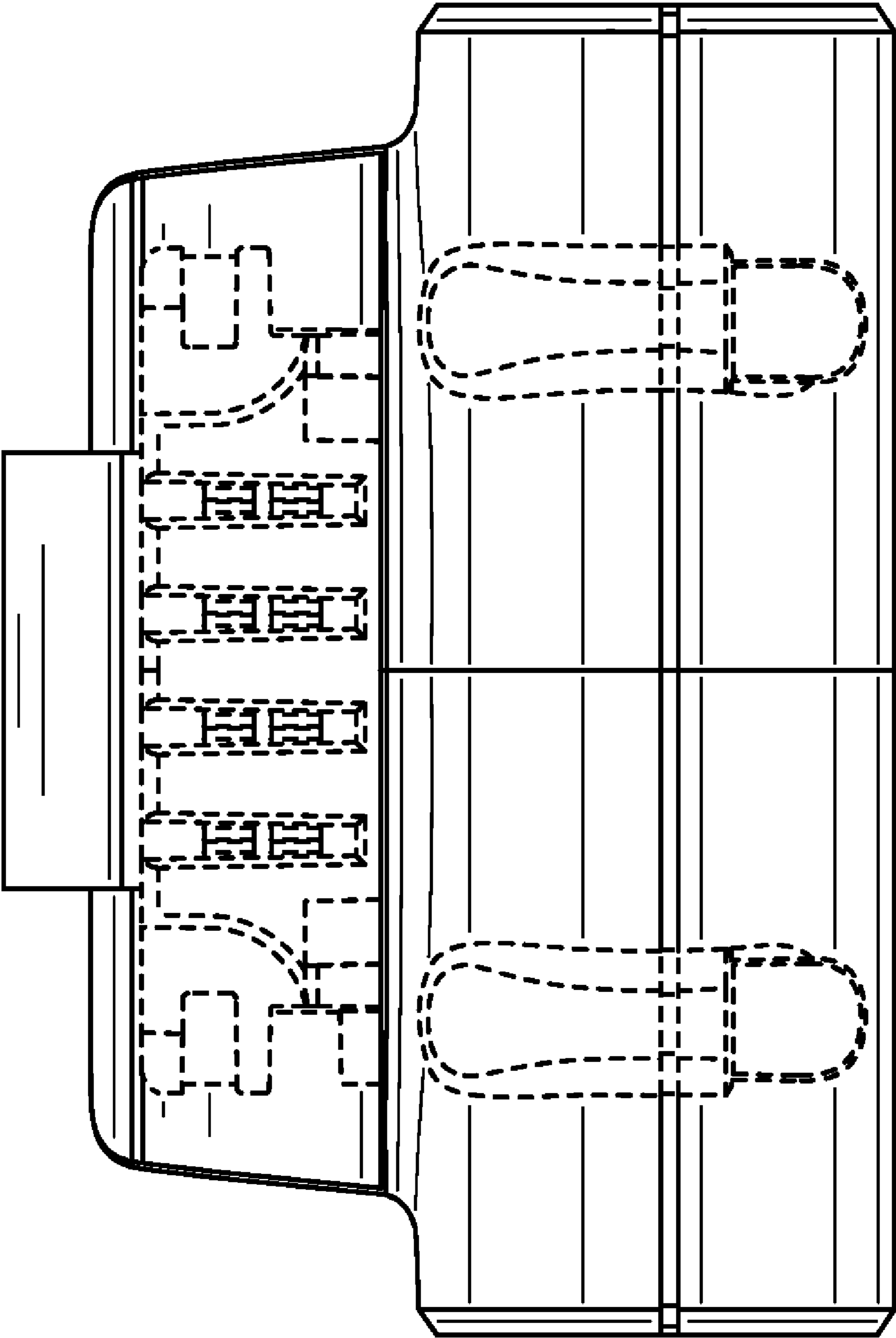


FIG. 3

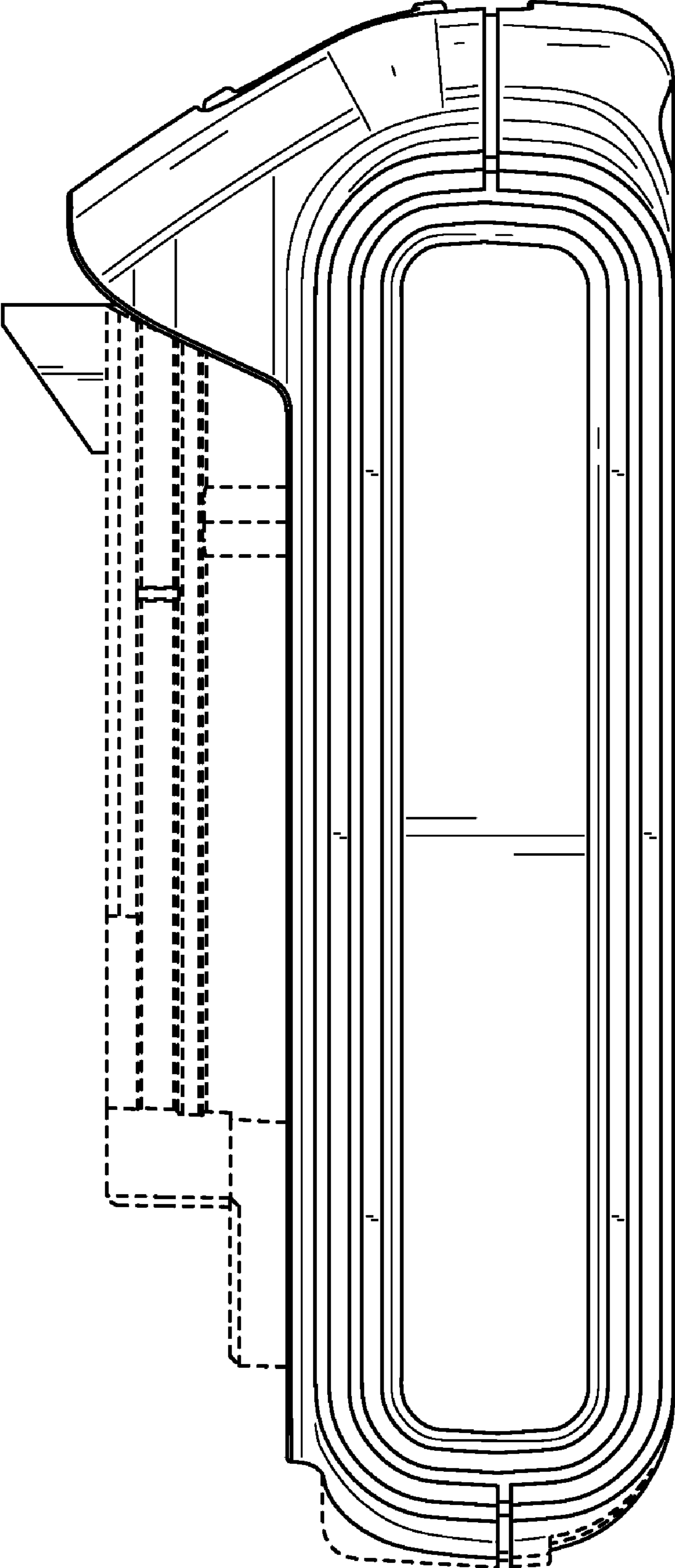


FIG. 4

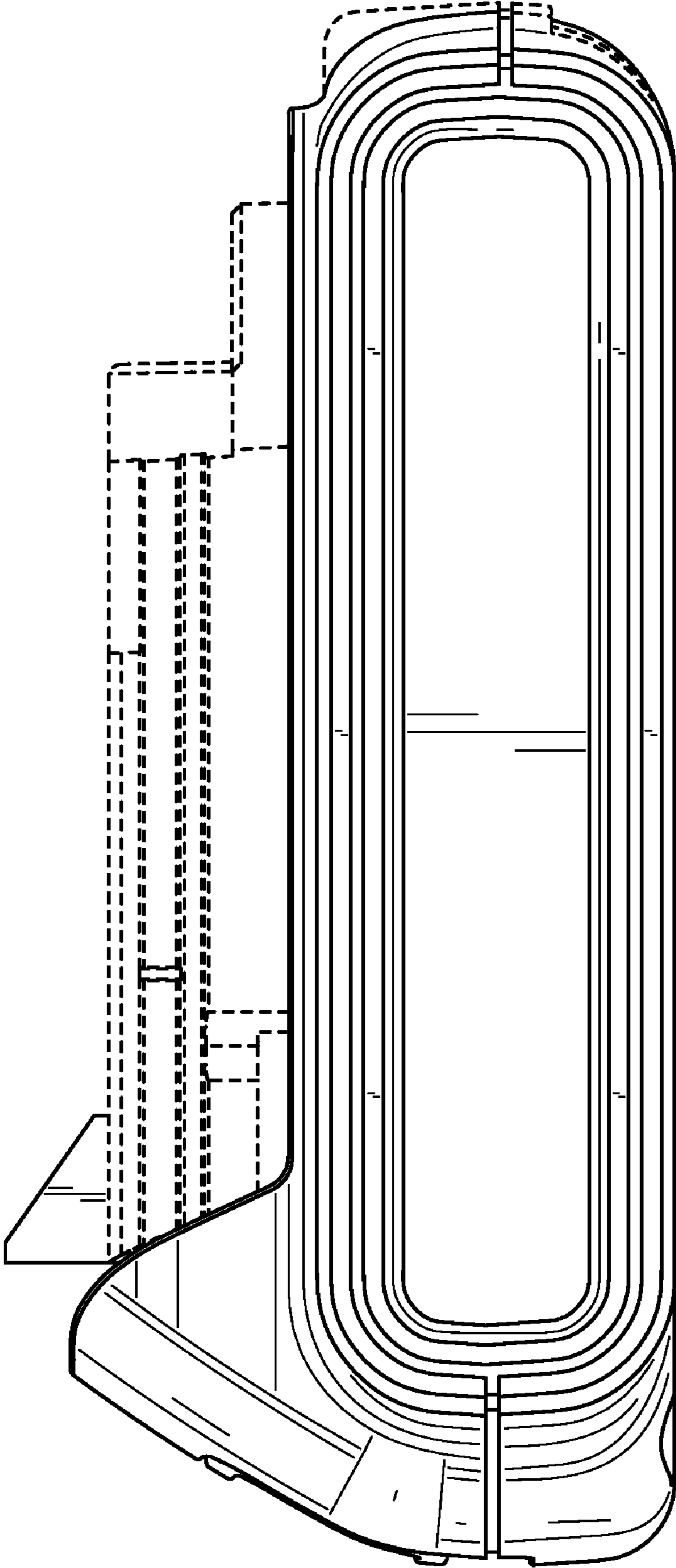


FIG. 5

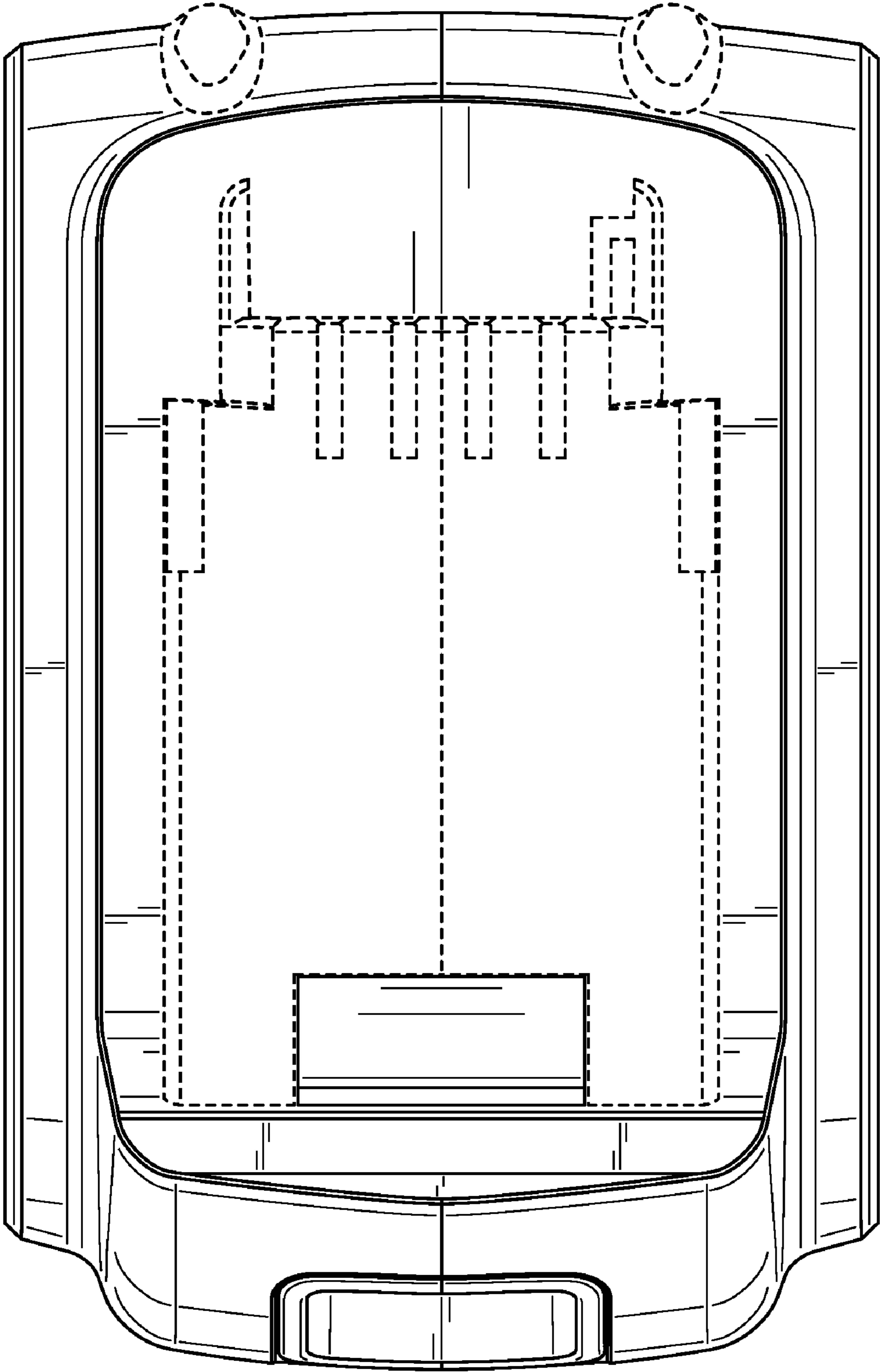


FIG. 6

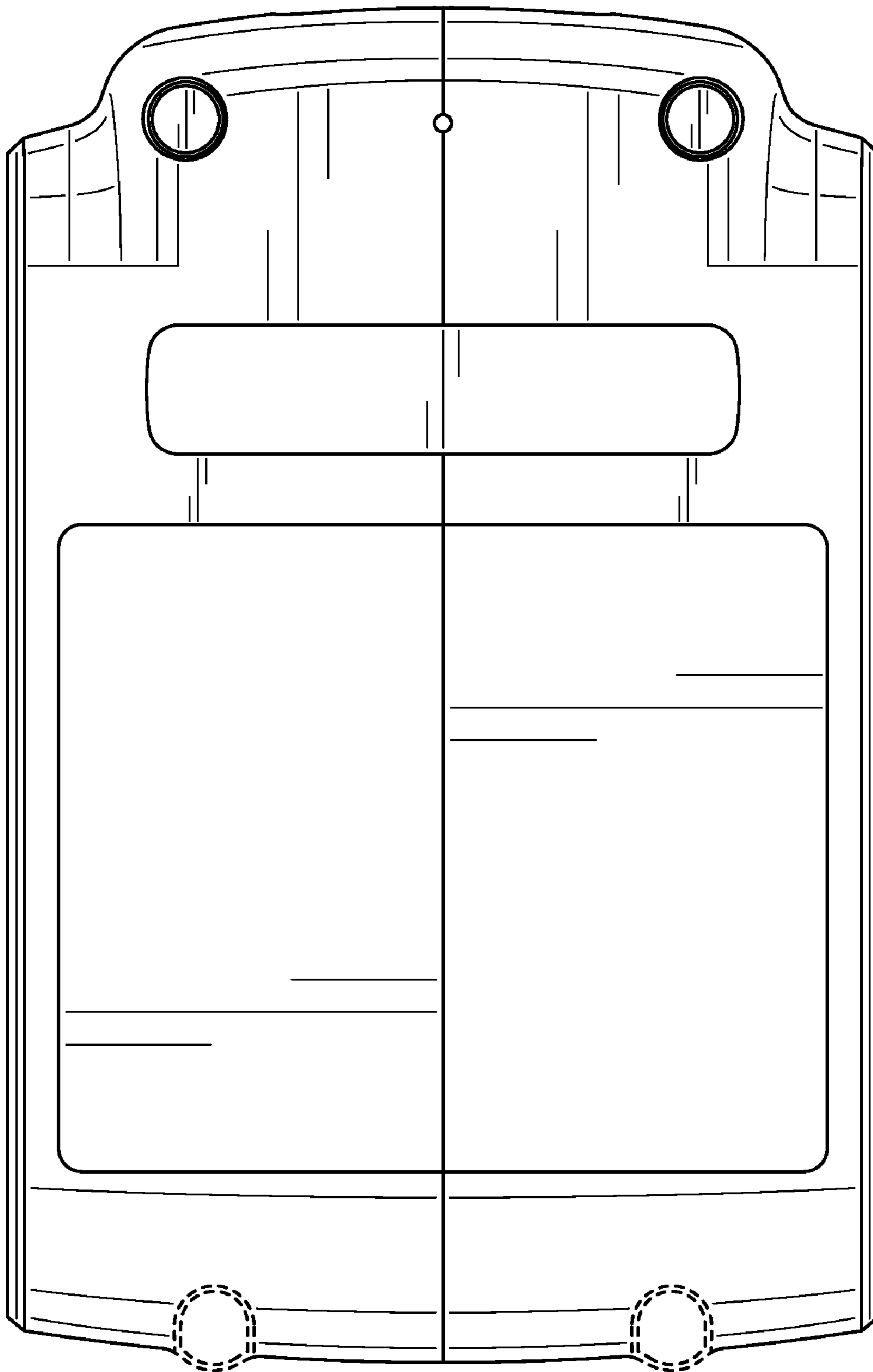


FIG. 7