

US00D633033S

(12) **United States Design Patent**
Conger

(10) **Patent No.:** **US D633,033 S**
(45) **Date of Patent:** **** Feb. 22, 2011**

- (54) **SOLAR ARRAY**
- (75) Inventor: **Steven J. Conger**, Carbondale, CO (US)
- (73) Assignee: **P4P Holdings, LLC**, Carbondale, CO (US)
- (**) Term: **14 Years**
- (21) Appl. No.: **29/357,531**
- (22) Filed: **Mar. 12, 2010**

4,832,001 A 5/1989 Baer
 4,835,918 A * 6/1989 Dippel 52/63
 D303,244 S 9/1989 Hanak
 5,058,565 A 10/1991 Gee et al.
 5,125,608 A 6/1992 McMaster et al.
 5,212,916 A 5/1993 Dippel et al.

(Continued)

FOREIGN PATENT DOCUMENTS

DE 3643487 6/1988

(Continued)

OTHER PUBLICATIONS

“coolearth technology” coolearth, available at <http://www.coolearthsolar.com/technology>, date unknown, p. 1-2.

(Continued)

- Related U.S. Application Data**
- (63) Continuation-in-part of application No. 29/319,853, filed on Jun. 16, 2008, which is a continuation-in-part of application No. 29/318,238, filed on May 15, 2008, now Pat. No. Des. 605,585.
 - (51) **LOC (9) Cl.** **13-02**
 - (52) **U.S. Cl.** **D13/102**
 - (58) **Field of Classification Search** D13/102, D13/101, 184, 199; 52/82, 83, 173.3; 126/623, 126/624, 667; 136/206, 244–252, 256, 291, 136/292; 248/49; 359/848
- See application file for complete search history.

Primary Examiner—Prabhakar Deshmukh
Assistant Examiner—Derrick Holland
 (74) *Attorney, Agent, or Firm*—Sheridan Ross, P.C.

(57) **CLAIM**

The ornamental design for a solar array, as shown and described.

(56) **References Cited**
U.S. PATENT DOCUMENTS

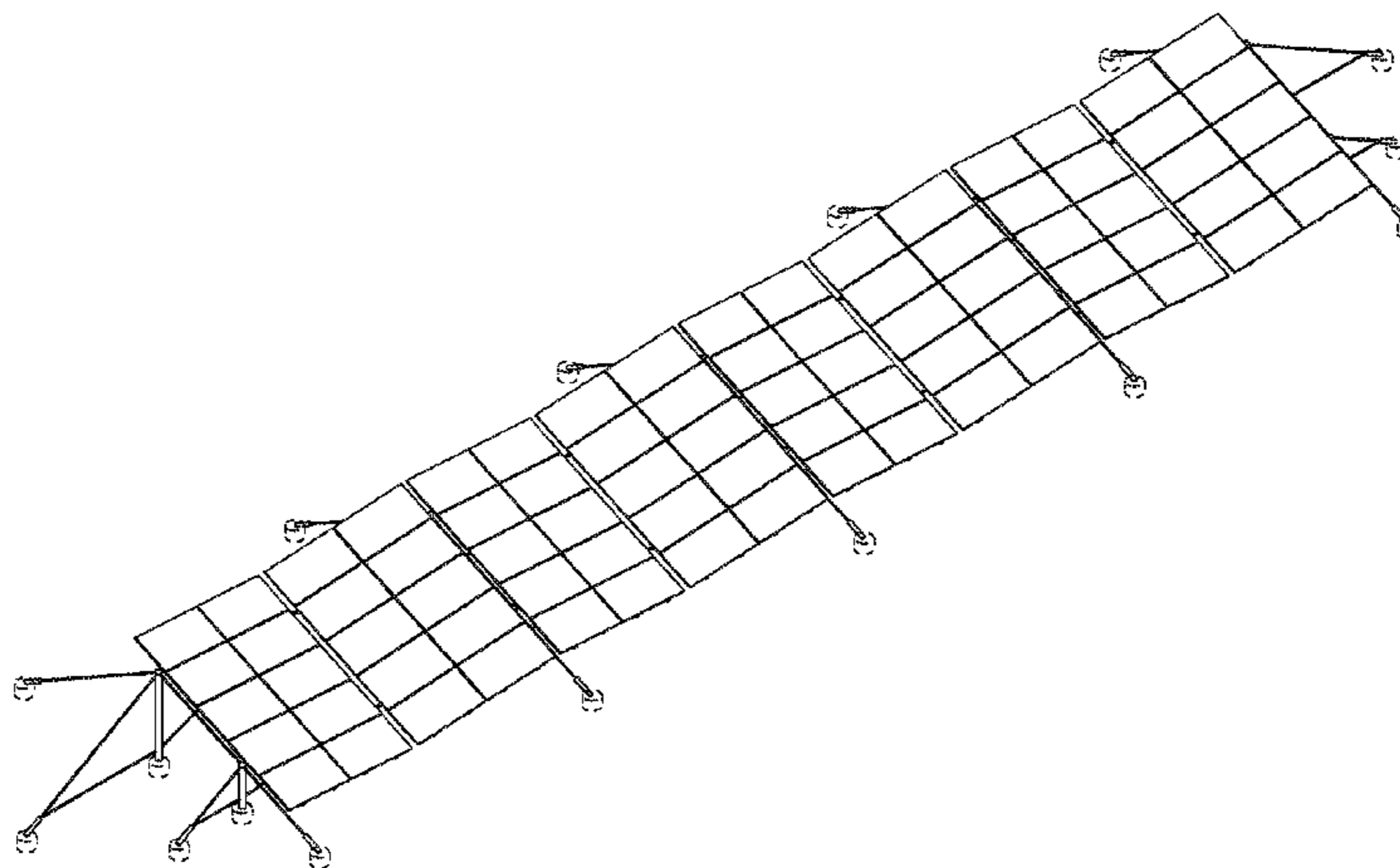
- 3,704,560 A 12/1972 Ratliff, Jr.
- 4,063,963 A 12/1977 Bond, Jr.
- 4,071,017 A 1/1978 Russell, Jr. et al.
- 4,186,720 A * 2/1980 Schmauder et al. 126/667
- 4,216,762 A 8/1980 Klaila
- 4,245,895 A 1/1981 Wildenrotter
- 4,269,173 A 5/1981 Krueger et al.
- D260,679 S 9/1981 Mayerovitch
- 4,380,996 A 4/1983 Mengeringhausen
- 4,386,600 A 6/1983 Eggert, Jr.
- 4,415,759 A 11/1983 Copeland et al.
- 4,449,347 A 5/1984 Rooney
- 4,487,989 A 12/1984 Wakefield et al.
- 4,574,535 A 3/1986 Pabsch
- 4,602,613 A 7/1986 Barr

DESCRIPTION

FIG. 1 is a perspective view of a solar array showing my new design;
 FIG. 2 is a front elevation view thereof;
 FIG. 3 is a left side elevation view thereof;
 FIG. 4 is a right side elevation view thereof;
 FIG. 5 is a top plan view thereof;
 FIG. 6 is a bottom plan view thereof; and,
 FIG. 7 is a rear elevation view thereof.

The broken lines shown represent unclaimed subject matter and form no part of the claimed design.

1 Claim, 4 Drawing Sheets



US D633,033 S

Page 2

U.S. PATENT DOCUMENTS

D353,129	S	12/1994	Ricaud et al.
5,478,407	A	12/1995	Dorison et al.
5,524,401	A *	6/1996	Ishikawa et al. 52/173.3
D380,191	S	6/1997	White
D408,554	S	4/1999	Dinwoodie
5,961,099	A	10/1999	Thommen, Jr.
6,091,016	A	7/2000	Kester
6,105,316	A	8/2000	Bottger et al.
6,397,869	B1	6/2002	Jennings
D469,399	S	1/2003	Shugar
6,563,040	B2	5/2003	Hayden et al.
D475,320	S	6/2003	Hensley et al.
D511,576	S	11/2005	Shingleton et al.
7,285,719	B2	10/2007	Conger
D560,606	S *	1/2008	McClintock et al. D13/102
D605,585	S	12/2009	Conger
2005/0109384	A1	5/2005	Shingleton et al.
2005/0141153	A1	6/2005	Mucci et al.
2006/0124168	A1	6/2006	Momii et al.
2008/0047546	A1	2/2008	Cummings
2008/0057776	A1	3/2008	Cummings
2008/0061193	A1	3/2008	Conger
2008/0066801	A1	3/2008	Schwarze
2008/0135095	A1	6/2008	Cummings et al.
2008/0168981	A1	7/2008	Cummings et al.
2008/0283112	A1	11/2008	Conger
2008/0283113	A1	11/2008	Conger
2009/0038672	A1	2/2009	Conger
2009/0184223	A1	7/2009	Schwarze et al.
2009/0211625	A1	8/2009	Schwarze
2010/0000516	A1	1/2010	Conger
2010/0038507	A1	2/2010	Schwarze et al.

FOREIGN PATENT DOCUMENTS

DE	4038646	6/1992
DE	10050021	4/2001
DE	10116783	10/2002
EP	0373234	6/1990
JP	10-266499	10/1998

JP	2004-71805	9/2005
WO	WO 2009/065377	5/2009

OTHER PUBLICATIONS

“Sharp Provides Solar Panels for Winery’s “Floatovoltaic” Solar Array”, available at <http://solarbuss.com/News/NewsNAPR1099.htm>, dated May 29, 2008 (accessed Jun. 23, 2008), pp. 1-2.

Foster+Partners “Hearst Headquarters”, available at <http://www.fosterandpartners.com/Projects/1124/Default.aspx>, printed Aug. 5, 2008, 11 pages.

Baumgartner et al. “Solar Wings A New Lightweight PV Tracking System”, 23re Eu PVSEC, Valencia, Sep. 4, 2008, invited talk 4DO. 9.5.

Solyndra web pages available at <http://www.solyndra.com>, printed May 11, 2009, 7 pages.

“Single Axis SunPower T20 Trackers”, date unknown, 5 pages.

Solon Hilber—Malaga/Spain, available at <http://www.solonhilber.at>, translated by Google translate, available at least as early as Sep. 21, 2007, printed Mar. 23, 2010, 7 pages.

Examination Report for European Patent Application No. 04759693. 7-1528, dated Apr. 27, 2007.

International Search Report for International (PCT) Patent Application No. PCT/US2004/008509, dated Oct. 22, 2004.

Written Opinion for International (PCT) Patent Application No. PCT/US2004/008509, dated Oct. 21, 2004.

International Preliminary Report on Patentability for International (PCT) Patent Application No. PCT/US2004/008509, dated Oct. 14, 2005.

Examiner’s First Report for Australian Patent Application No. 2004231646, dated Jul. 23, 2008.

International Search Report for International (PCT) Patent Application No. PCT/US08/71414, dated Sep. 26, 2008.

Written Opinion for International (PCT) Patent Application No. PCT/US08/71414, dated Sep. 26, 2008.

International Search Report for International (PCT) Patent Application No. PCT/US09/44060, mailed Jun. 24, 2009.

Written Opinion for International (PCT) Patent Application No. PCT/US09/44060, mailed Jun. 24, 2009.

U.S. Appl. No. 12/817,063, filed Jun. 16, 2010, Conger.

* cited by examiner

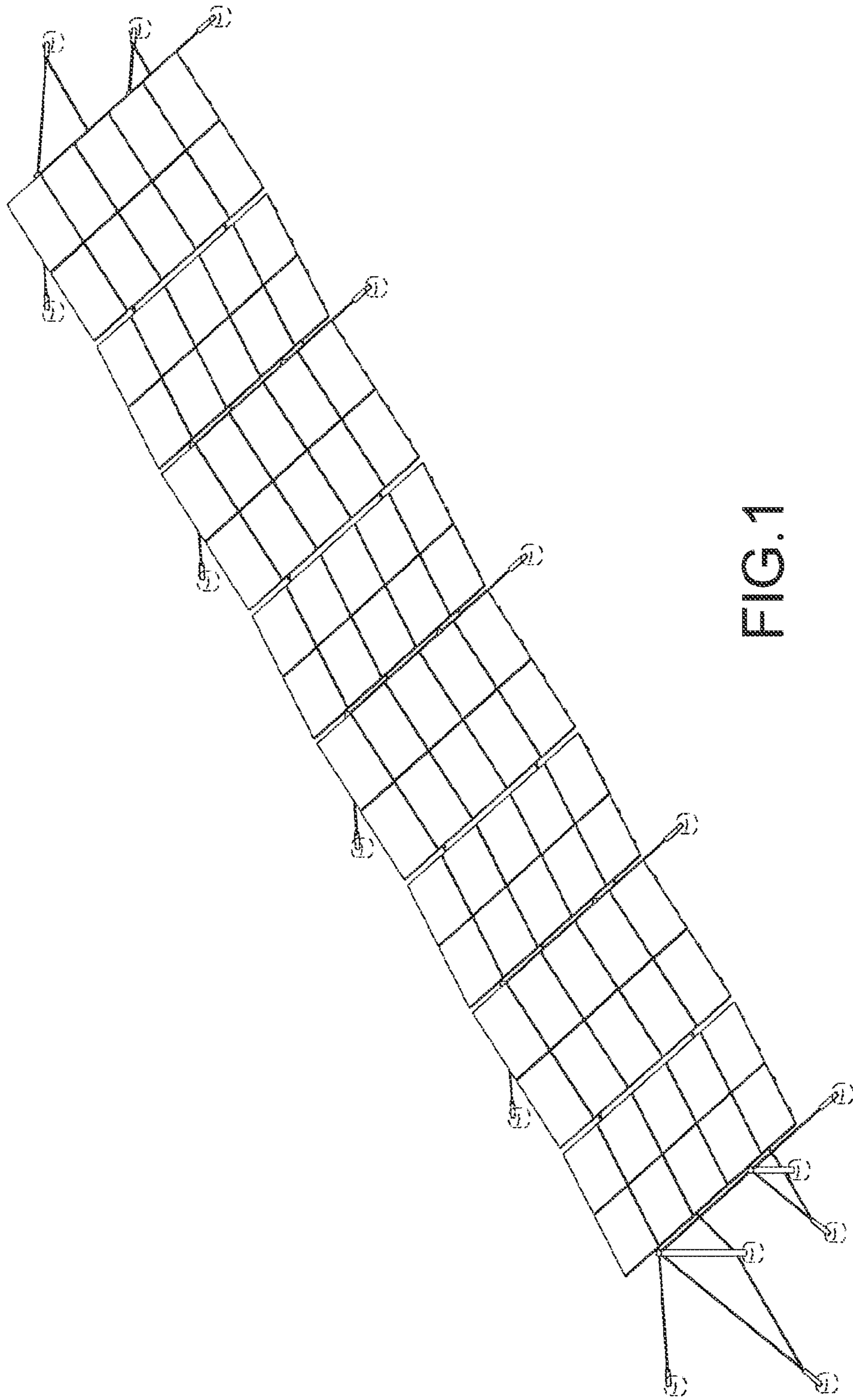


FIG. 1

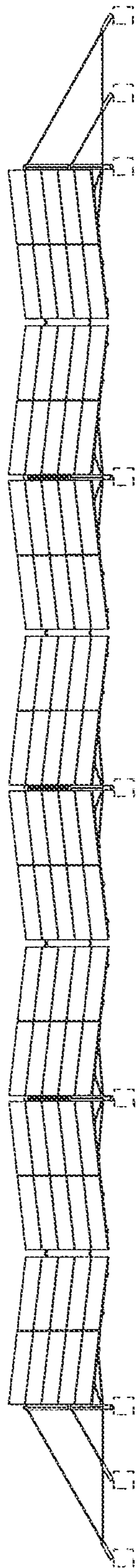


FIG. 2

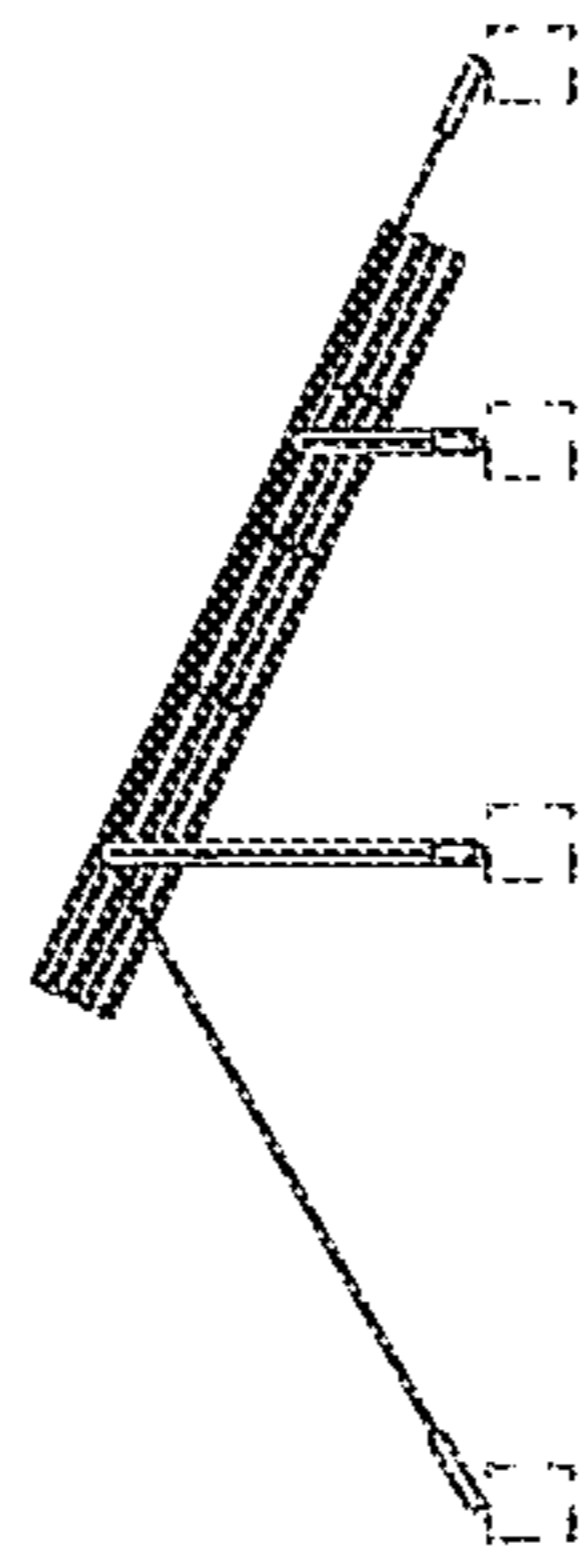


FIG. 3

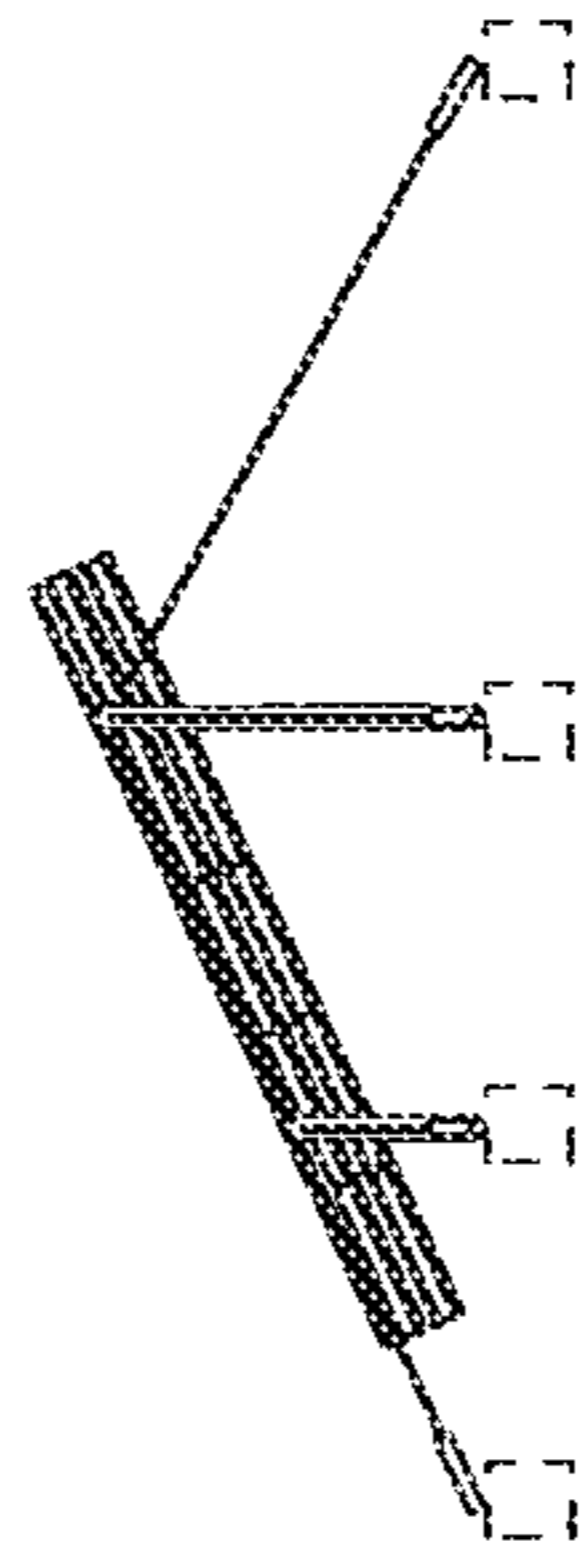


FIG. 4

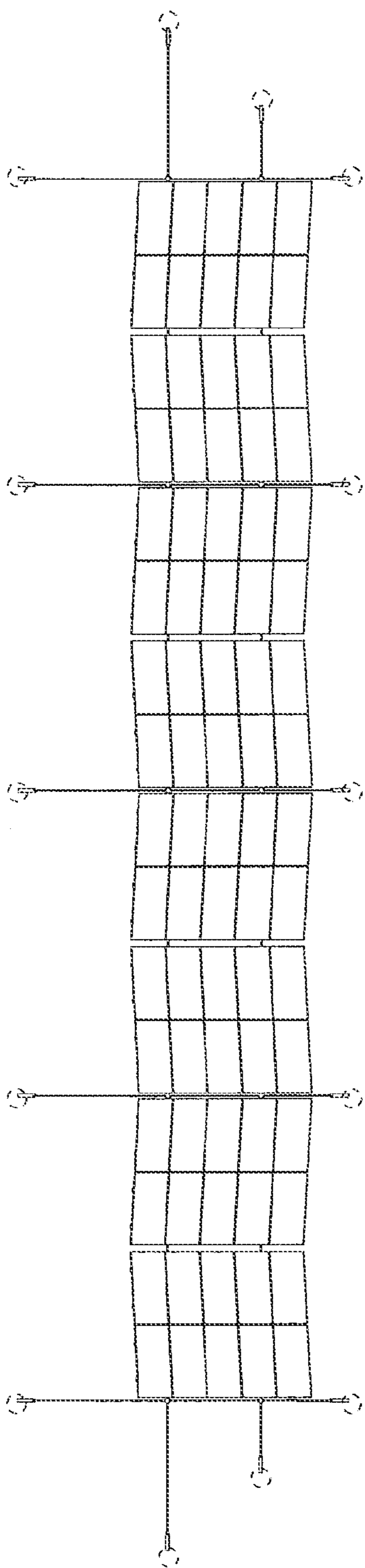


FIG. 5

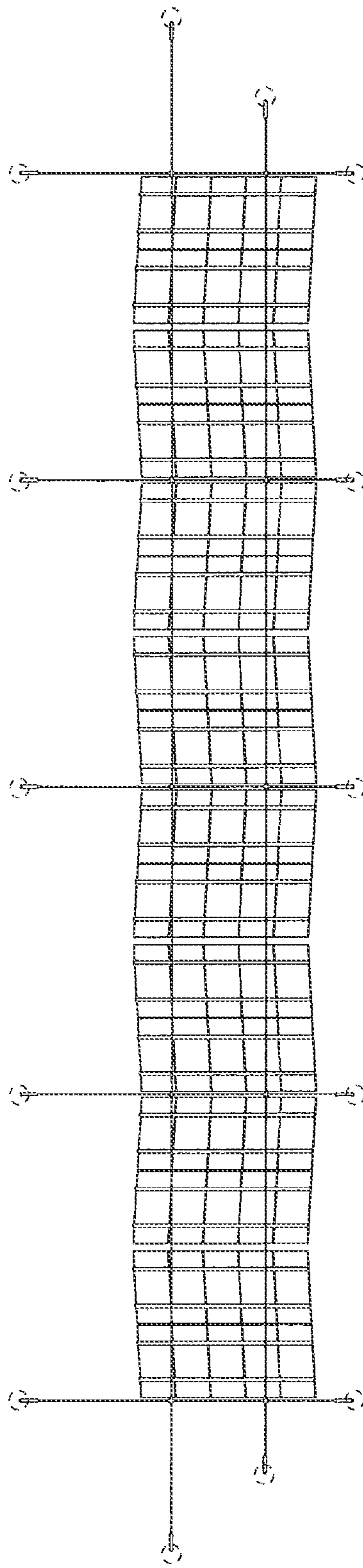


FIG. 6

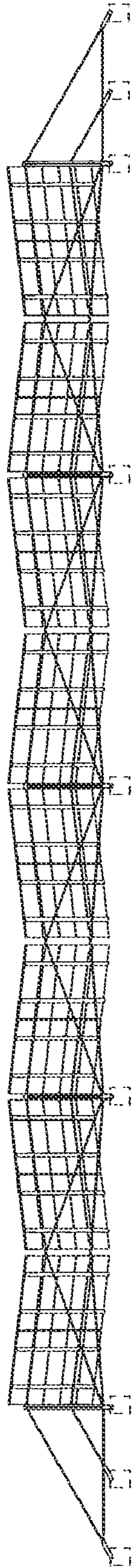


FIG.7