



US00D633031S

(12) **United States Design Patent**
Robertson

(10) **Patent No.:** **US D633,031 S**

(45) **Date of Patent:** **** Feb. 22, 2011**

(54) **ROOF RACK CROSSBAR**

(75) Inventor: **Bruce John Robertson**, Sockburn (NZ)

(73) Assignee: **Hubco Automotive Ltd.**, Newton,
Wellington (NZ)

(**) Term: **14 Years**

(21) Appl. No.: **29/362,662**

(22) Filed: **May 28, 2010**

(51) **LOC (9) Cl.** **12-16**

(52) **U.S. Cl.** **D12/412**

(58) **Field of Classification Search** D12/413,
D12/414, 406, 412, 414.1; 206/213, 8, 9,
206/279, 290, 713, 335, 315.1–315.4; D32/35,
D32/38; D6/317–319, 513–514, 552; 293/37.1,
293/3, 100; 224/309–310, 315–316, 323–329,
224/400; D3/304–306; 280/760–762, 848,
280/727, 769; 296/99.1, 37.1, 100.01, 100.02,
296/157

See application file for complete search history.

(56) **References Cited**

U.S. PATENT DOCUMENTS

D260,631 S * 9/1981 Kowalski D12/414
D500,471 S * 1/2005 Wheatley D12/414

D515,496 S * 2/2006 Rakow D12/414
D519,440 S * 4/2006 Rakow D12/414
D538,219 S * 3/2007 Rakow D12/414
2008/0197162 A1 * 8/2008 Klinkman et al. 224/314
2008/0257924 A1 * 10/2008 Kmita et al. 224/309
2009/0065542 A1 * 3/2009 Tuttle 224/323
2010/0147914 A1 * 6/2010 Sautter et al. 224/325
2010/0155442 A1 * 6/2010 Neidlein 224/321

* cited by examiner

Primary Examiner—Caron Veynar

Assistant Examiner—Katrina A Kile

(74) *Attorney, Agent, or Firm*—Holland & Hart, LLP

(57) **CLAIM**

The ornamental design for a roof rack crossbar, as shown and described.

DESCRIPTION

FIG. 1 is a perspective view of a roof rack crossbar showing my new design;

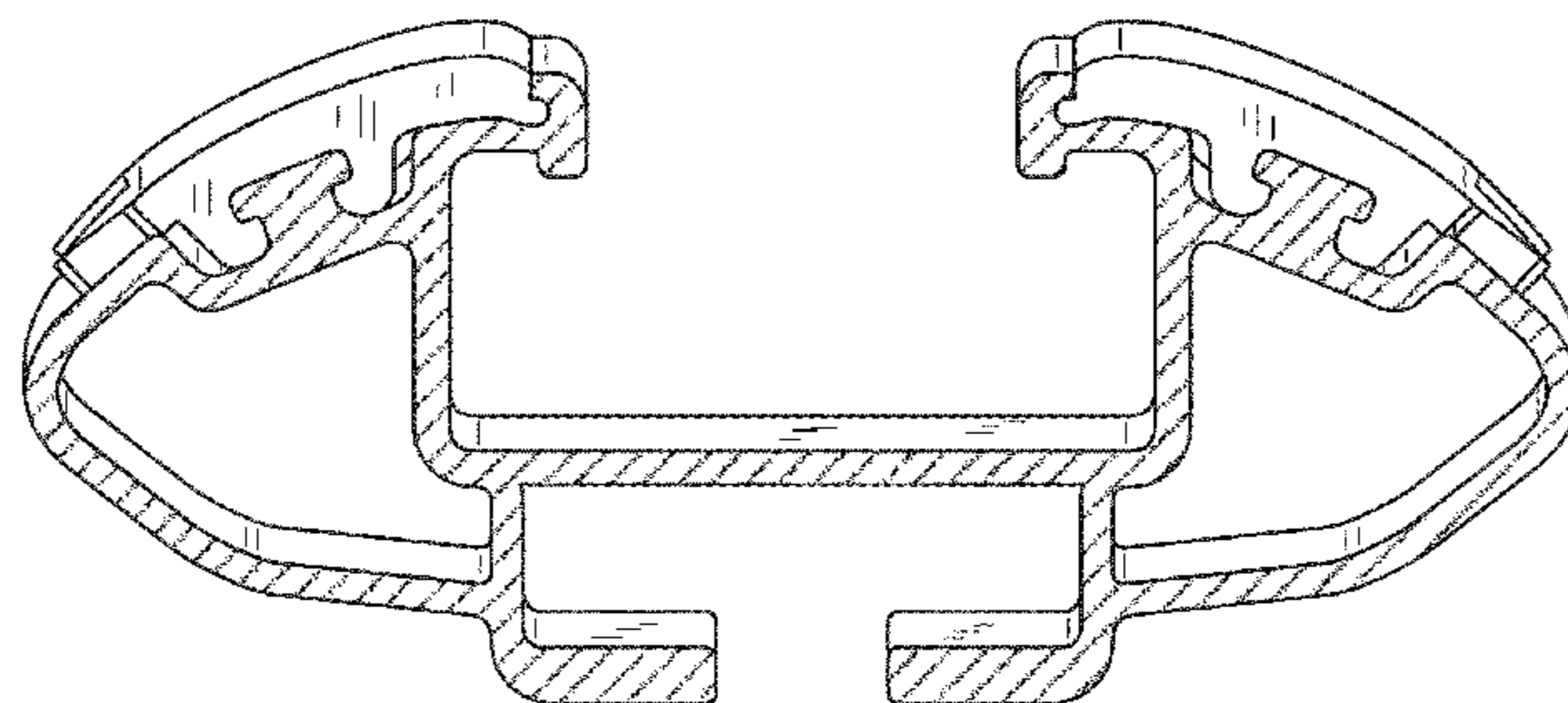
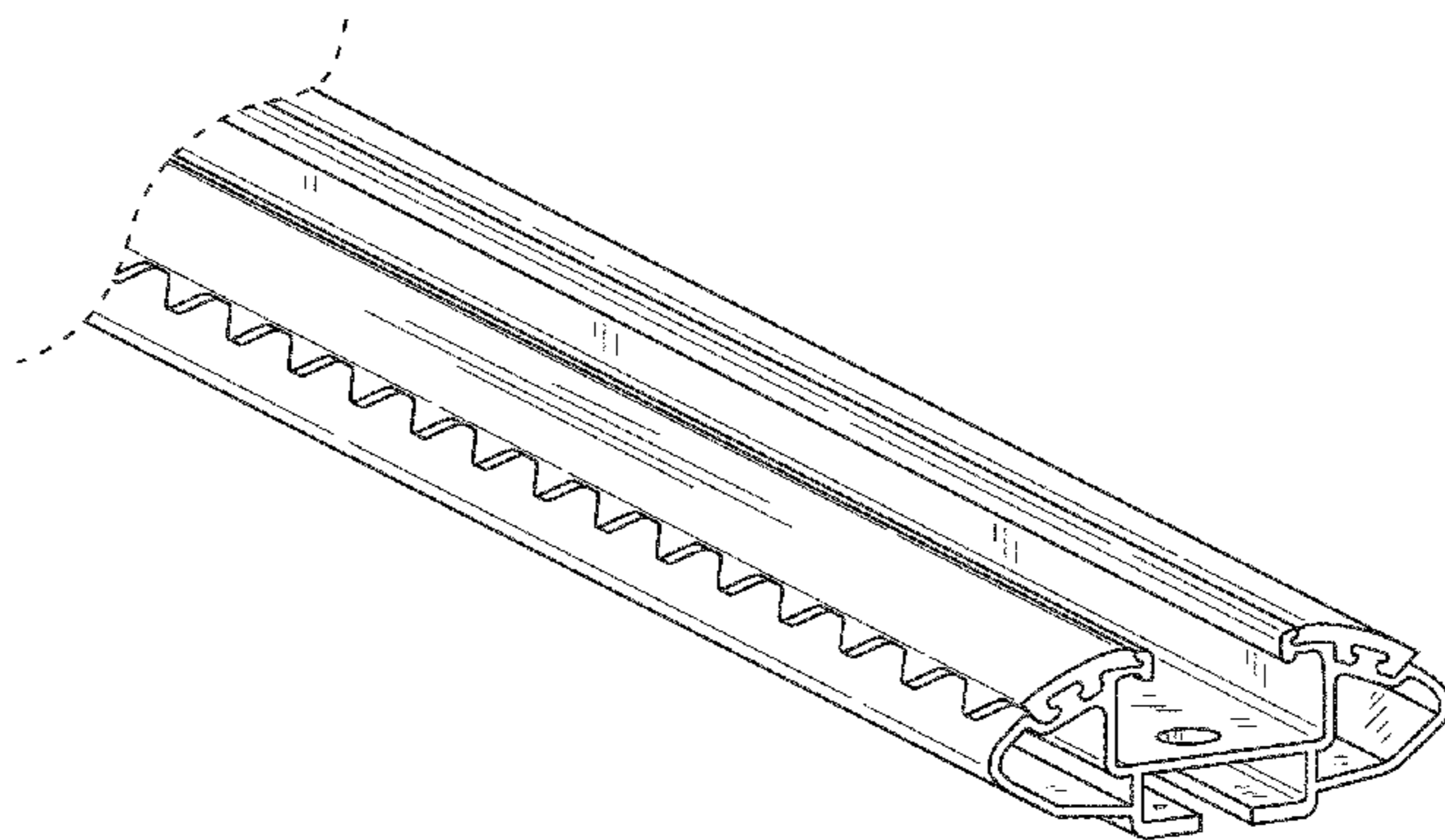
FIG. 2 is a front shallow perspective view thereof;

FIG. 3 is a side view thereof; and,

FIG. 4 is a plan elevation view thereof.

The break in the FIGS. 1, 3, and 4 drawings show indeterminate length.

1 Claim, 4 Drawing Sheets



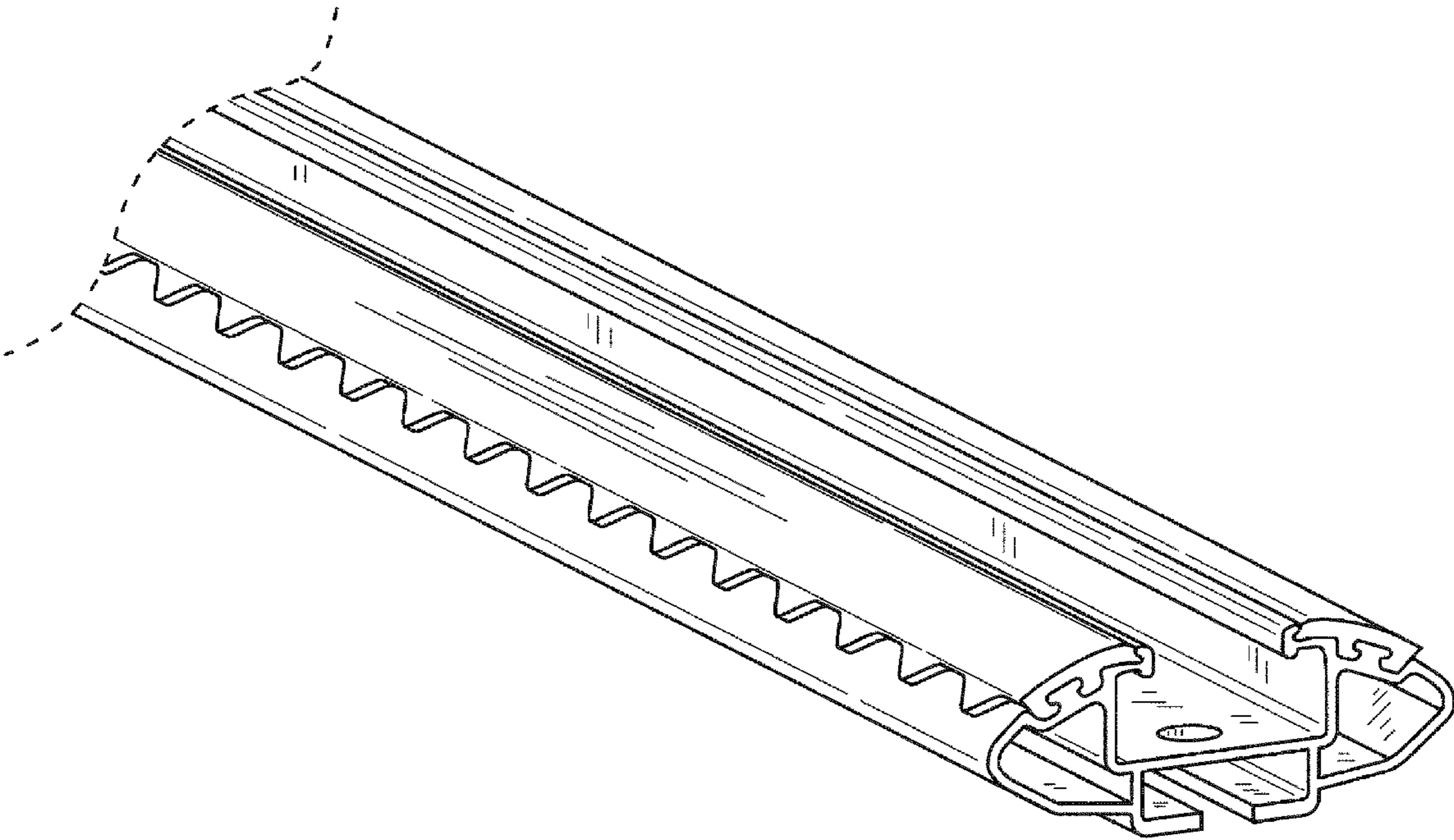


FIG.1

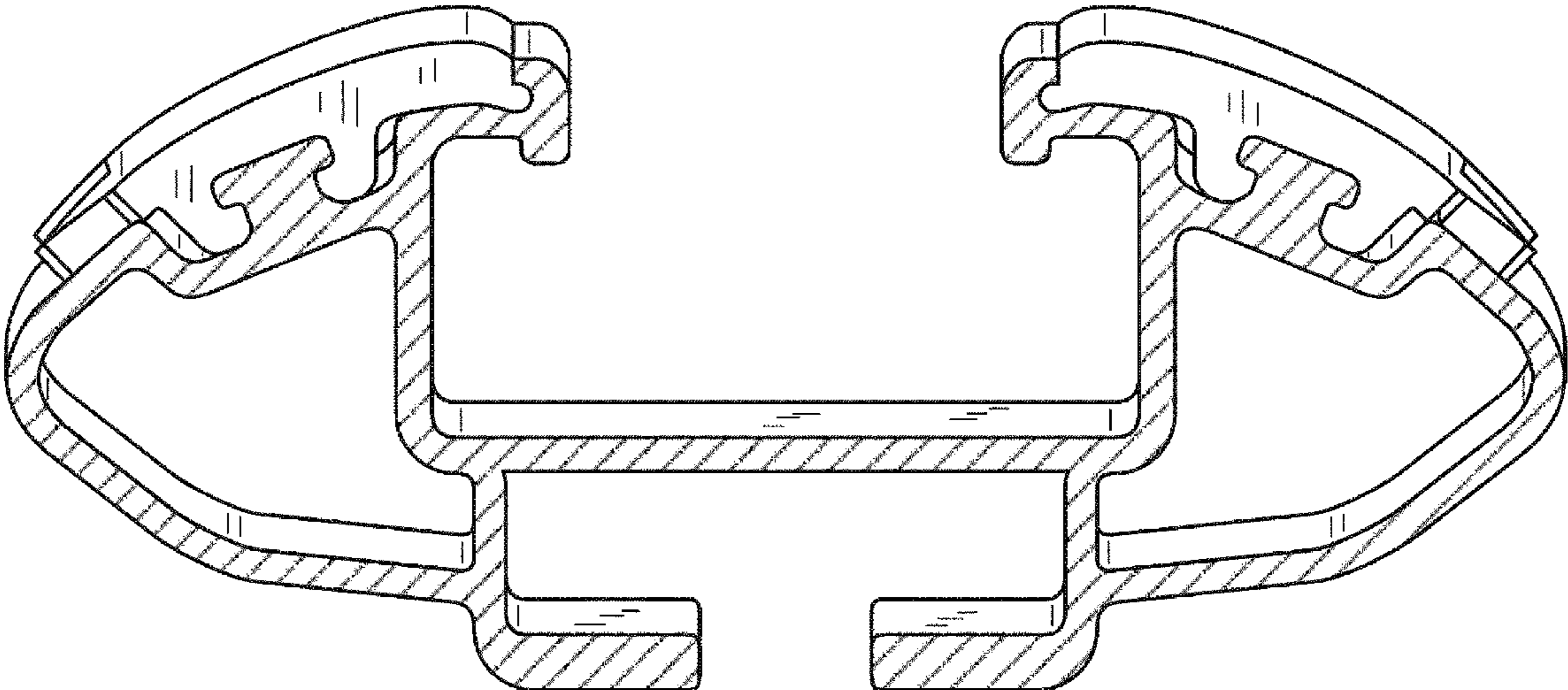


FIG.2

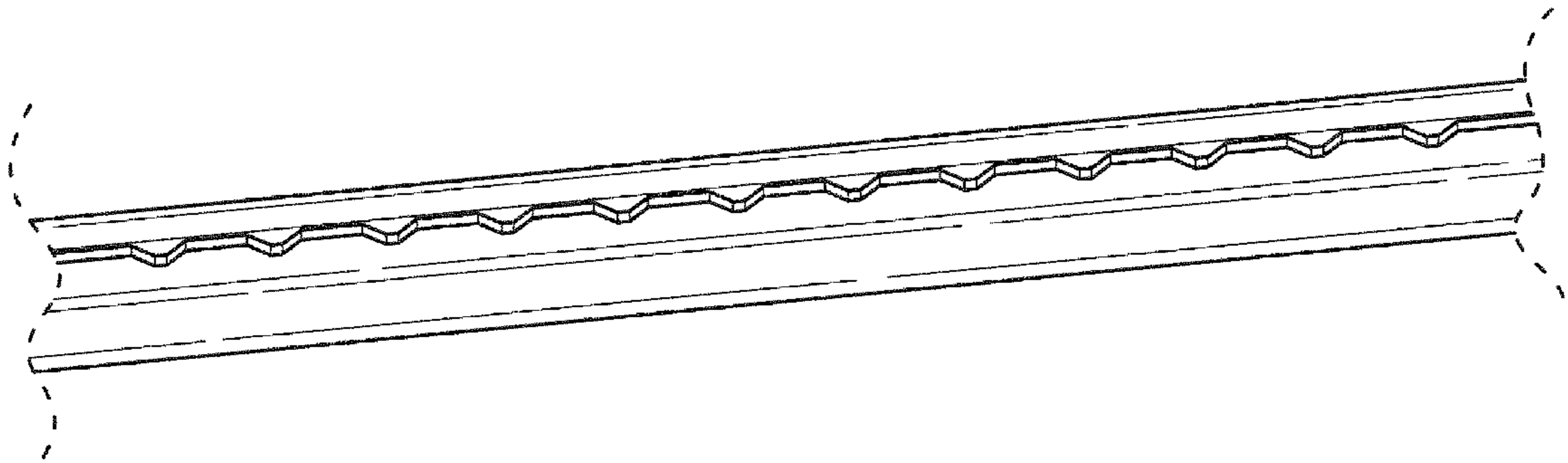


FIG.3

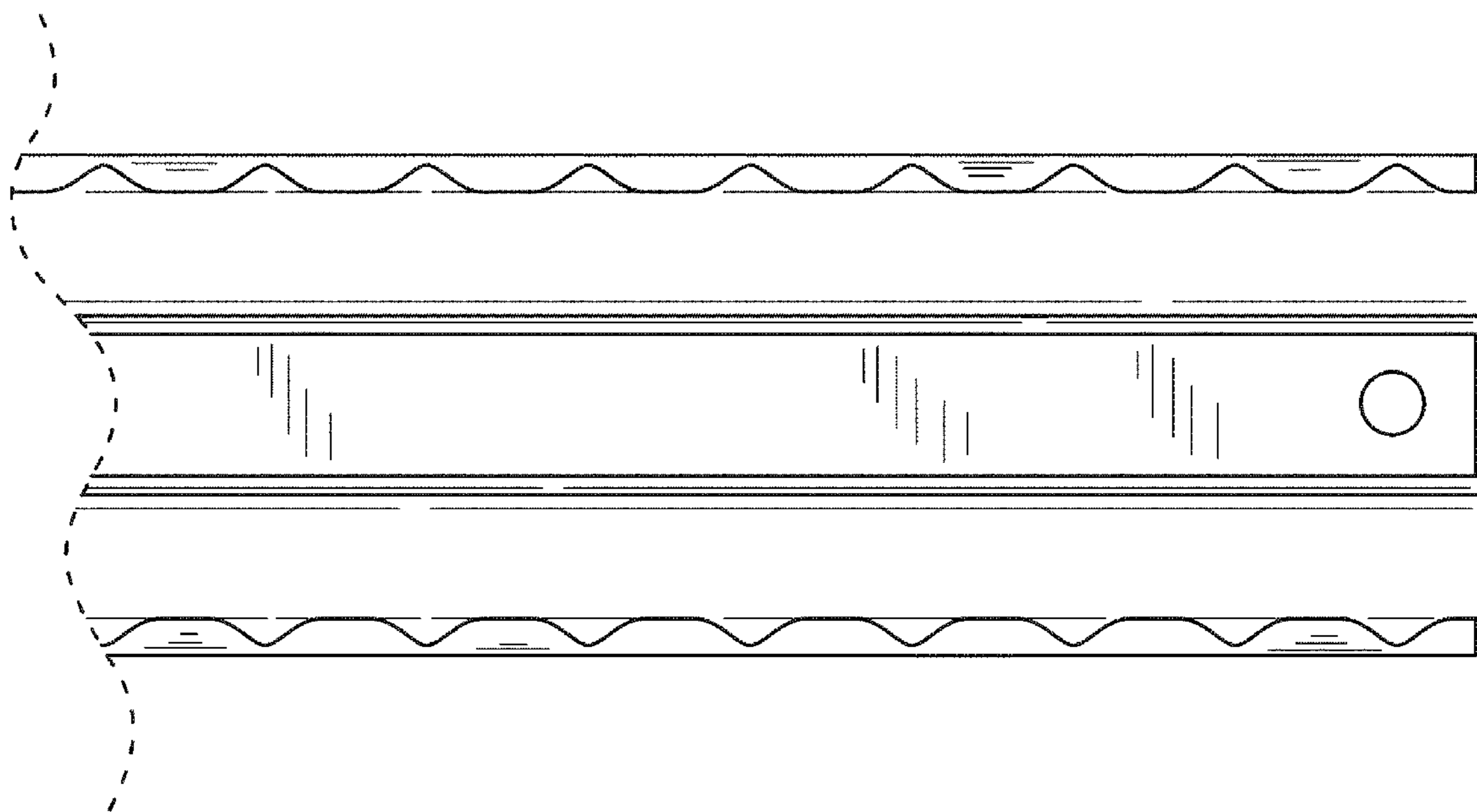


FIG.4