



US00D633030S

(12) **United States Design Patent**
Robertson

(10) **Patent No.:** **US D633,030 S**

(45) **Date of Patent:** **** Feb. 22, 2011**

(54) **ROOF RACK CONNECTOR**

(75) Inventor: **Bruce John Robertson**, Sockburn (NZ)

(73) Assignee: **Hubco Automotive Ltd.**, Newton, Wellington (NZ)

(**) Term: **14 Years**

(21) Appl. No.: **29/362,660**

(22) Filed: **May 28, 2010**

(30) **Foreign Application Priority Data**

Dec. 1, 2009 (NZ) 413014

(51) **LOC (9) Cl.** **12-16**

(52) **U.S. Cl.** **D12/412**

(58) **Field of Classification Search** D12/413,
D12/414, 406, 412, 414.1; 206/213, 8, 9,
206/279, 290, 713, 335, 315.1-315.4; D32/35,
D32/38; D6/317-319, 513-514, 552; 293/37.1,
293/3, 100; 224/309-310, 315-316, 323-329,
224/400; D3/304-306; 280/760-762, 848,
280/727, 769; 296/99.1, 37.1, 100.01, 100.02,
296/157

See application file for complete search history.

(56) **References Cited**

U.S. PATENT DOCUMENTS

4,534,496 A * 8/1985 Bott 224/326
6,758,380 B1 * 7/2004 Kolda 224/315

D495,654 S * 9/2004 Elwell et al. D12/414
2004/0262346 A1 * 12/2004 Thiele et al. 224/326
2006/0290154 A1 * 12/2006 Stapleton 296/3
2007/0108243 A1 * 5/2007 Bingham 224/326
2008/0083800 A1 * 4/2008 Mathew 224/326
2008/0121671 A1 * 5/2008 Cronce et al. 224/331
2008/0197162 A1 * 8/2008 Klinkman et al. 224/314
2008/0210725 A1 * 9/2008 Birtwisle et al. 224/309
2008/0257924 A1 * 10/2008 Kmita et al. 224/309

* cited by examiner

Primary Examiner—Caron Veynar

Assistant Examiner—Katrina A Kile

(74) *Attorney, Agent, or Firm*—Holland & Hart LLP

(57) **CLAIM**

The ornamental design for a roof rack connector, as shown and described.

DESCRIPTION

FIG. 1 is a perspective view of a roof rack connector showing my new design;

FIG. 2 is a front elevation view thereof;

FIG. 3 is a right side view thereof;

FIG. 4 is a rear elevation view thereof;

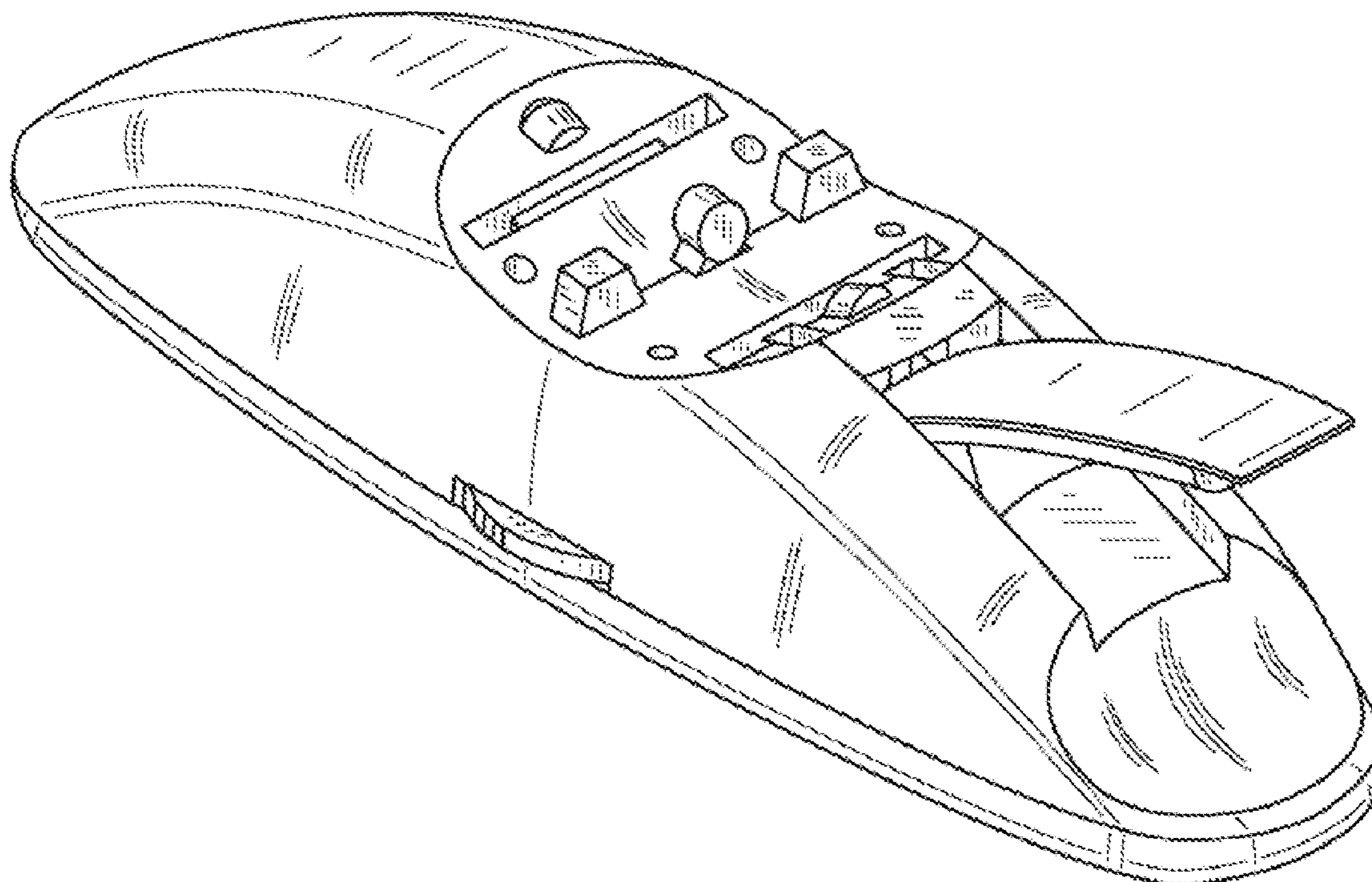
FIG. 5 is a top plan view thereof;

FIG. 6 is a left side view thereof;

FIG. 7 is an underside view thereof; and,

FIG. 8 is a underside perspective view thereof.

1 Claim, 8 Drawing Sheets



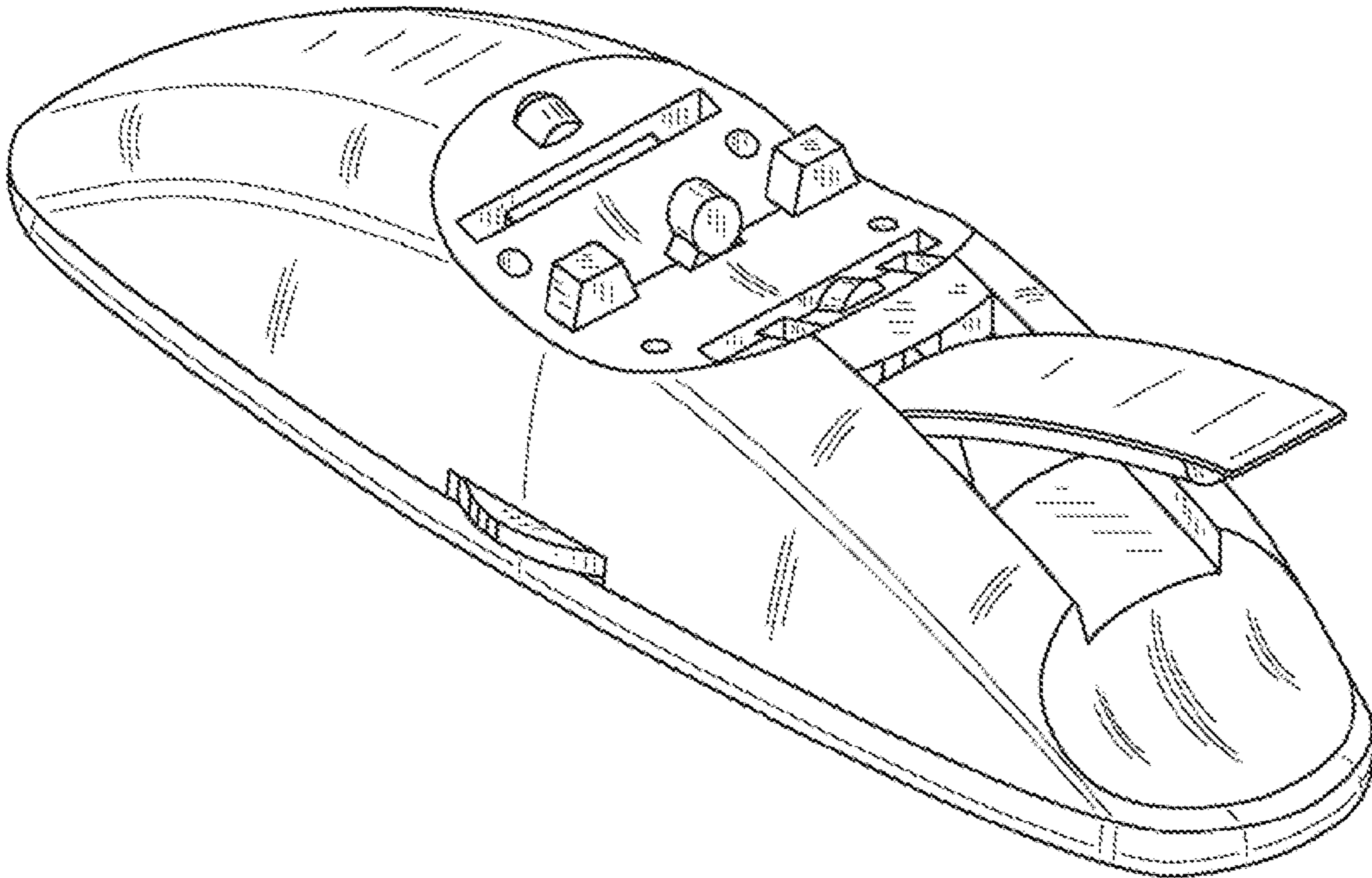


FIG. 1

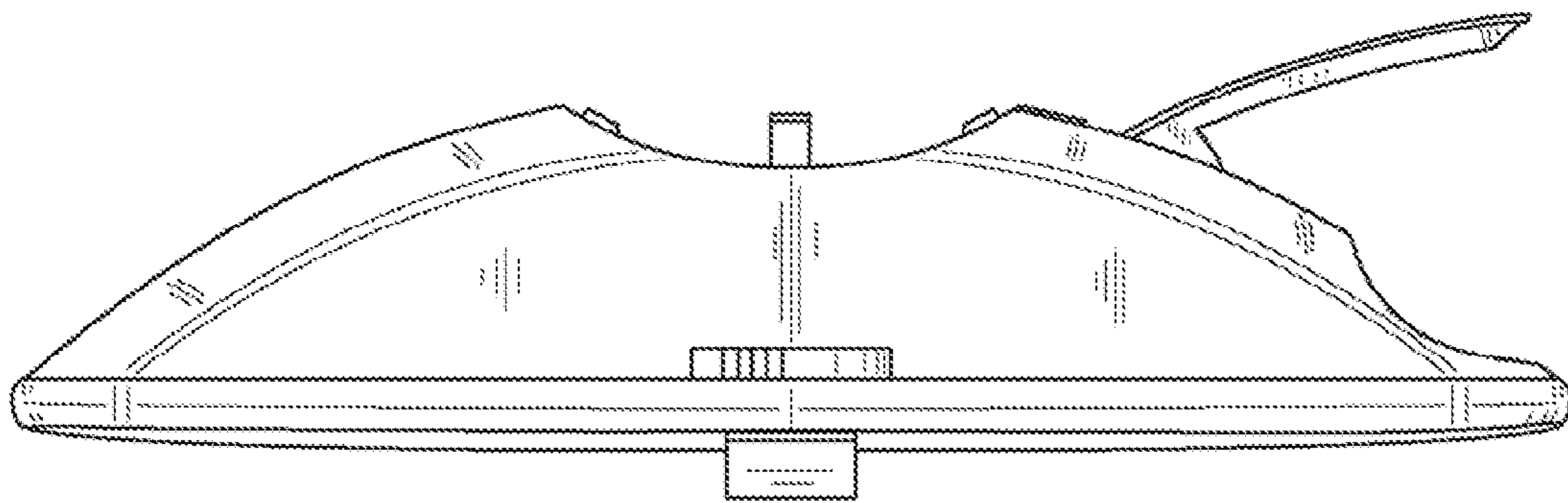


FIG.2

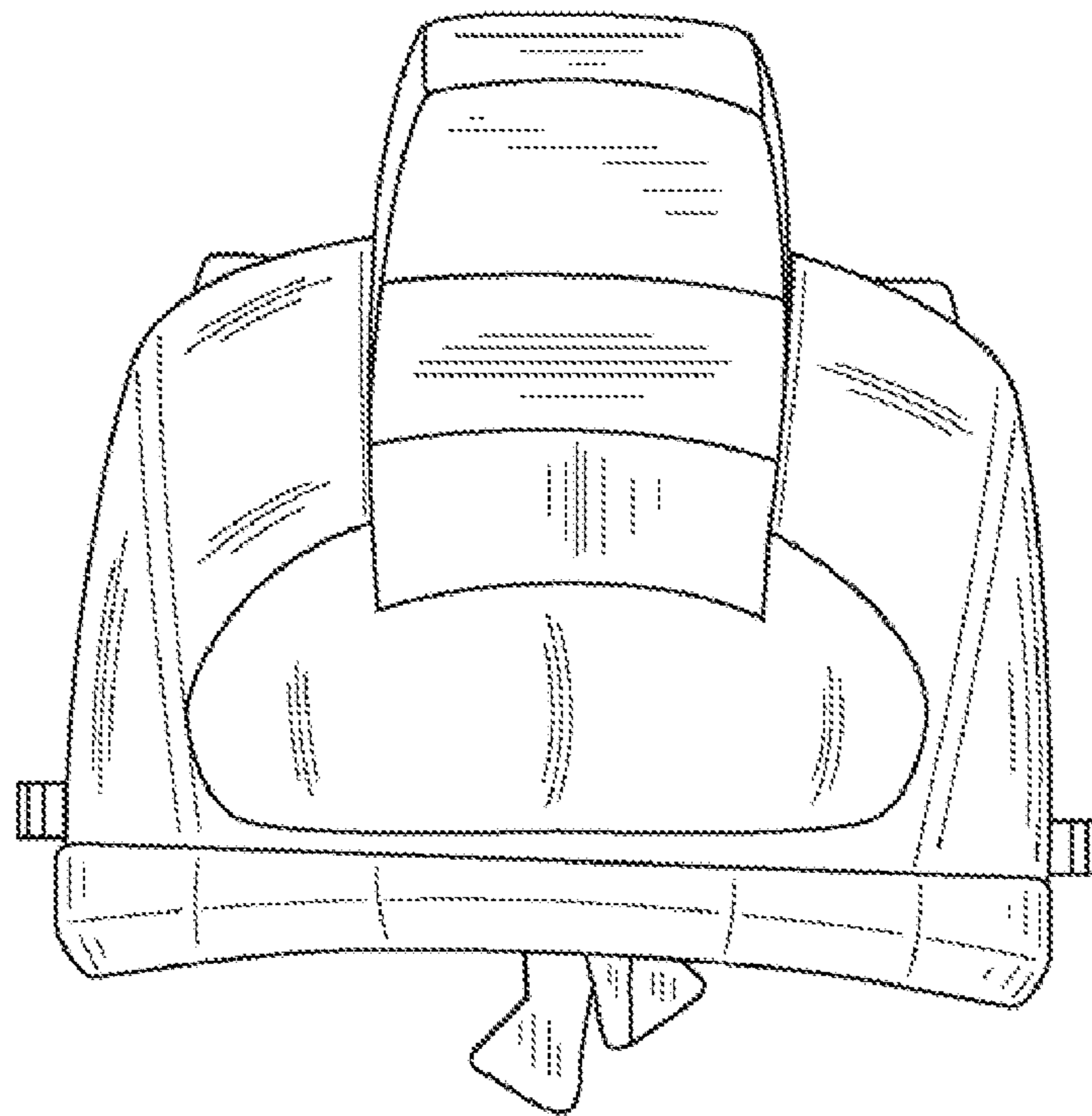


FIG. 3

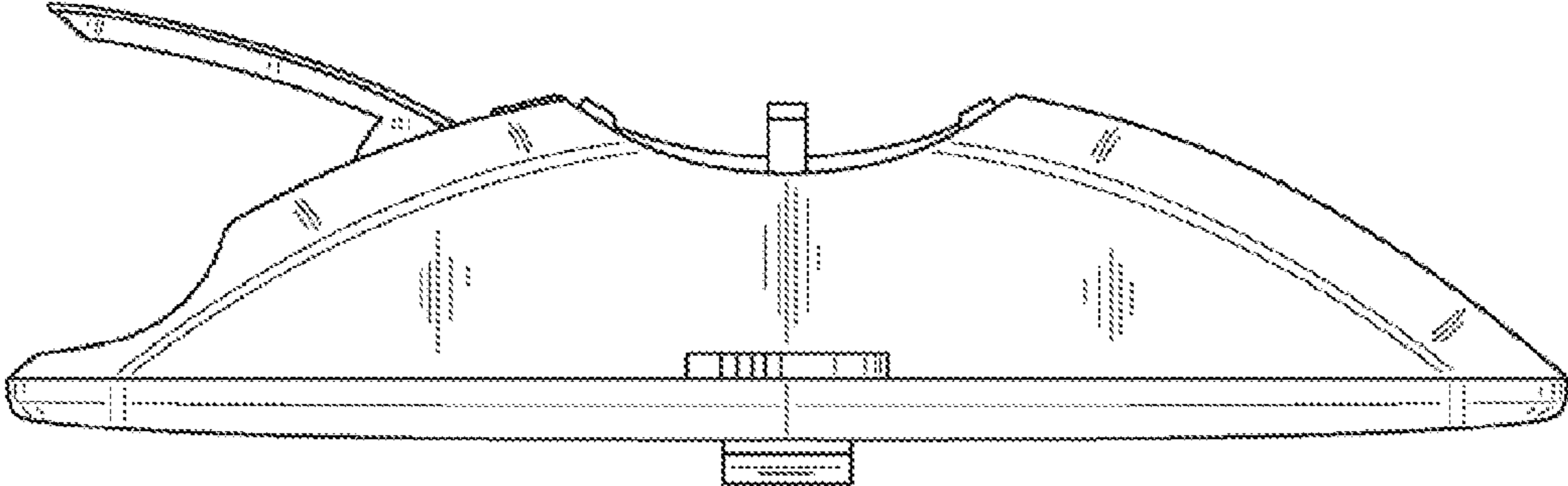


FIG.4

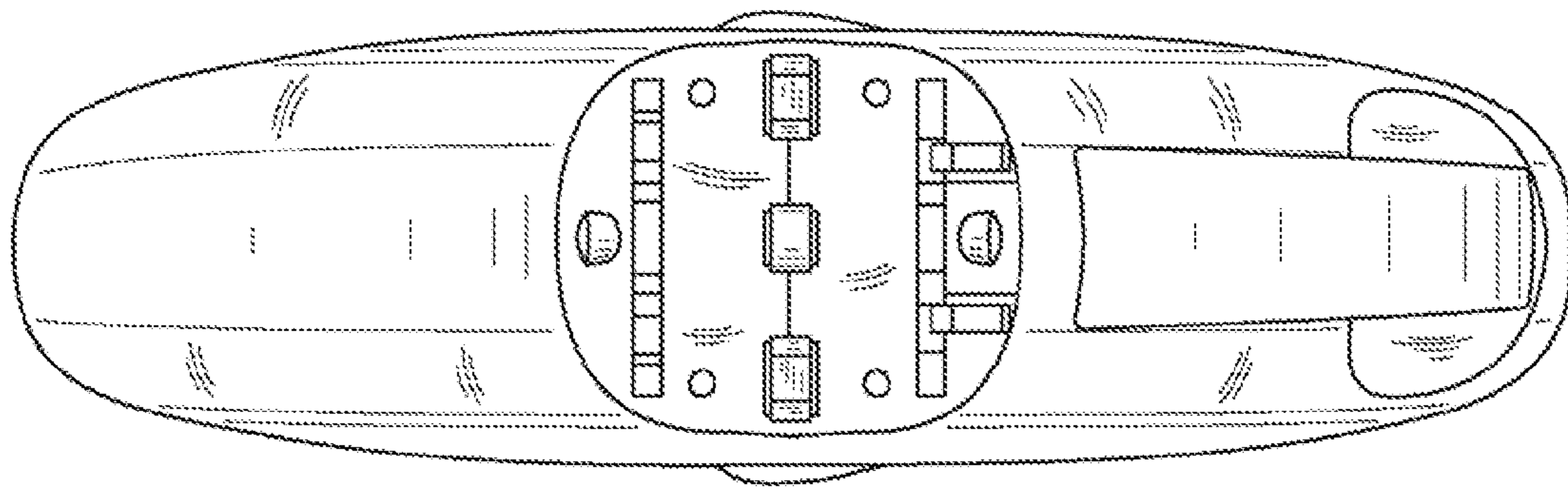


FIG. 5

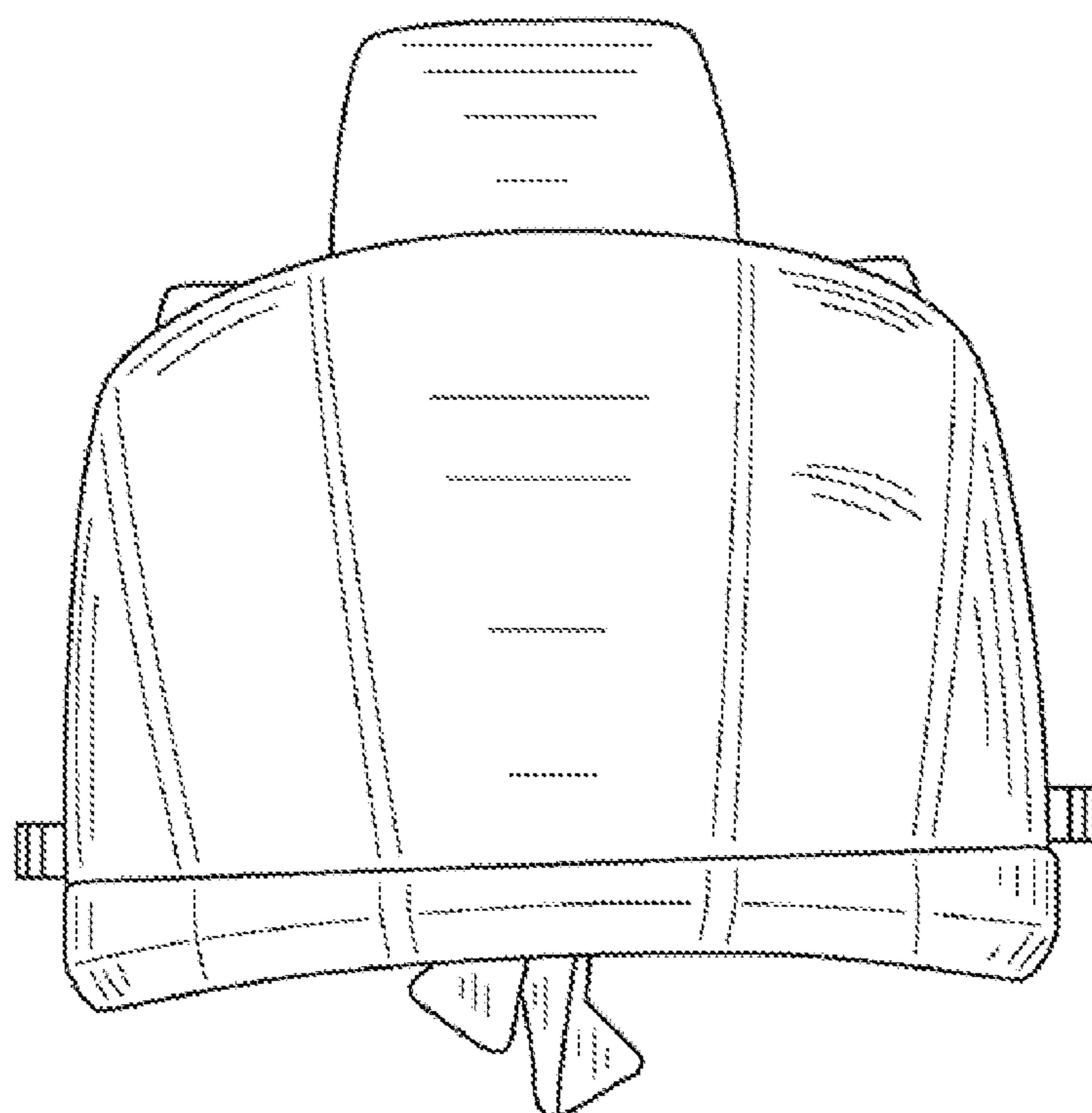


FIG.6

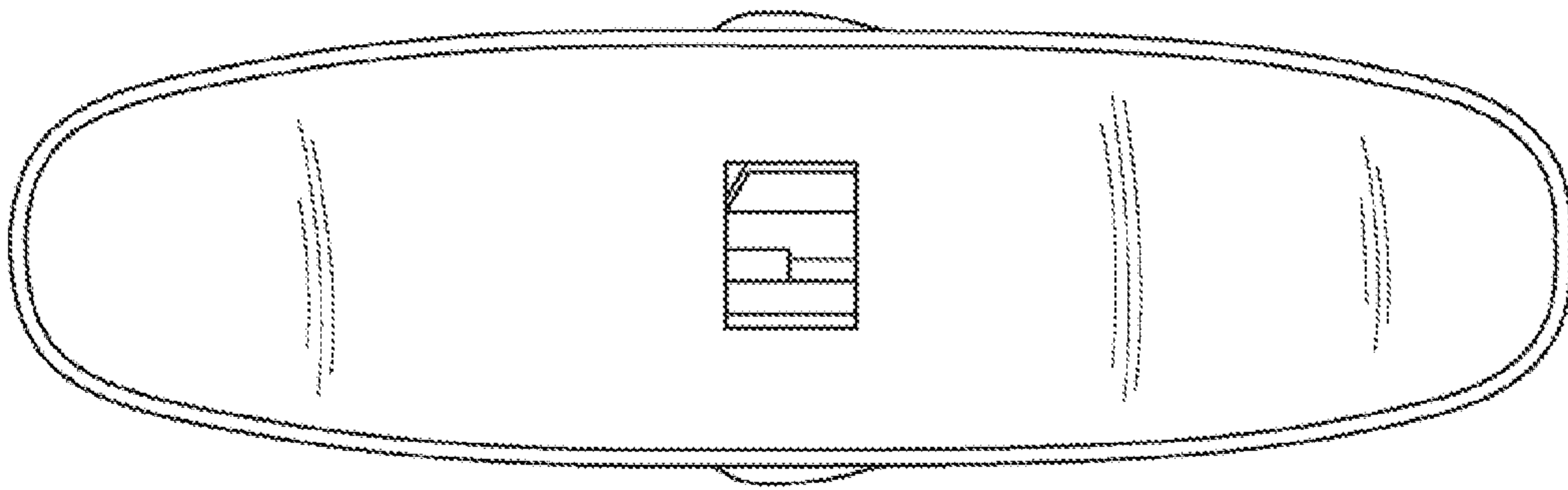


FIG. 7

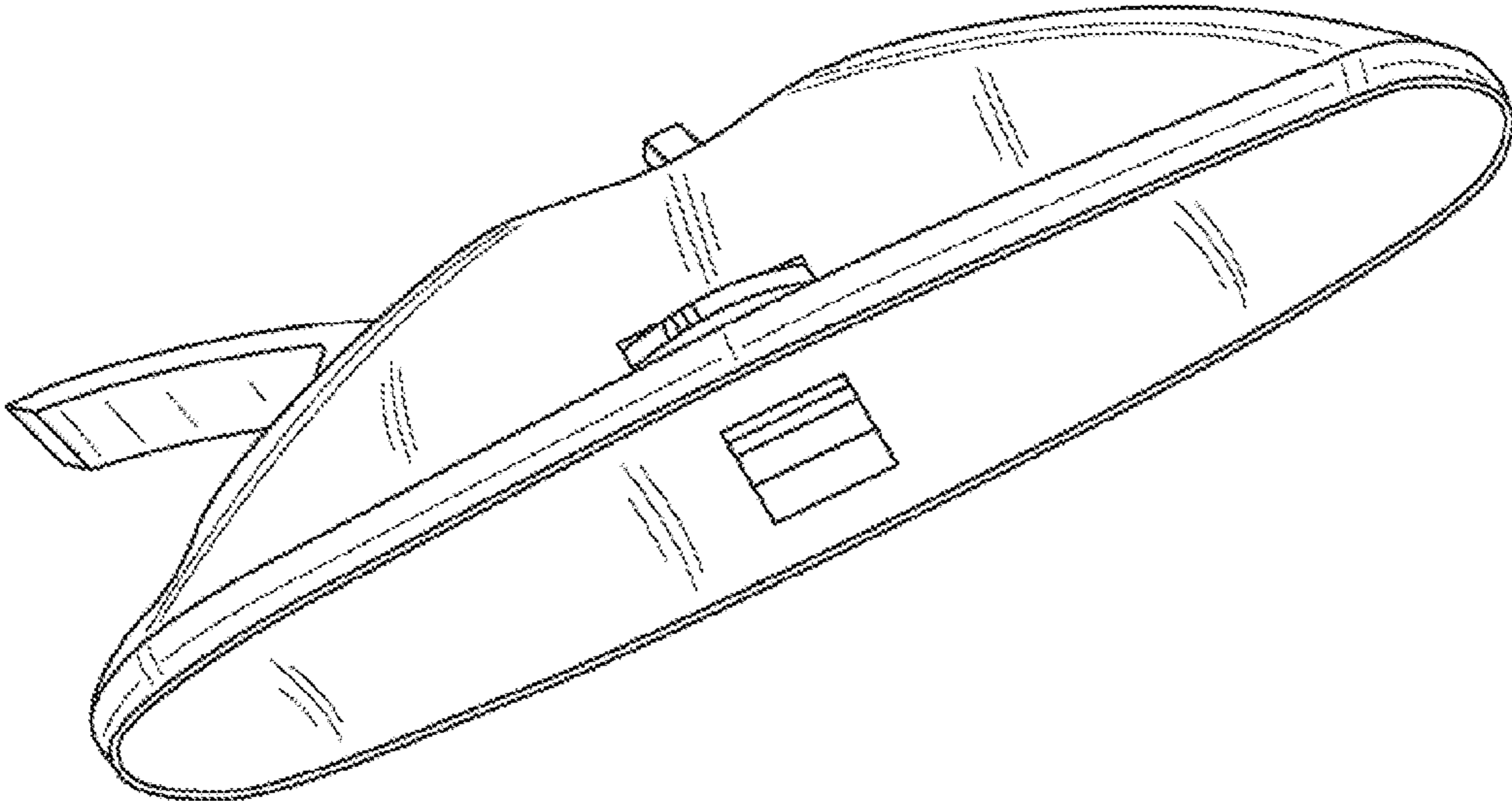


FIG.8