



US00D633028S

(12) **United States Design Patent**
Kim

(10) **Patent No.:** **US D633,028 S**

(45) **Date of Patent:** **** Feb. 22, 2011**

(54) **AUTOMOTIVE WHEEL**

(75) **Inventor:** **Paul J. Kim**, Industry, CA (US)

(73) **Assignee:** **The Wheel Group**, Industry, CA (US)

(**) **Term:** **14 Years**

(21) **Appl. No.:** **29/372,011**

(22) **Filed:** **Oct. 4, 2010**

(51) **LOC (9) Cl.** **12-16**

(52) **U.S. Cl.** **D12/211**

(58) **Field of Classification Search** D12/204-213;
301/37.101, 64.101, 65, 64.201

See application file for complete search history.

(56) **References Cited**

U.S. PATENT DOCUMENTS

D470,812 S	*	2/2003	Chu	D12/211
D551,148 S	*	9/2007	Musser	D12/211
D558,115 S	*	12/2007	Groom	D12/209
D569,778 S	*	5/2008	Kim	D12/211
D570,276 S	*	6/2008	Chung	D12/211

D578,458 S	*	10/2008	Cortes	D12/211
D579,845 S	*	11/2008	Chung	D12/209
D582,829 S	*	12/2008	Musser	D12/211
D590,315 S	*	4/2009	Chung	D12/209
D596,101 S	*	7/2009	Tant et al.	D12/211
D624,863 S	*	10/2010	Zhao	D12/211
D625,242 S	*	10/2010	Zhao	D12/211

* cited by examiner

Primary Examiner—Stacia Cadmus

(57) **CLAIM**

The ornamental design for an automotive wheel, as shown and described.

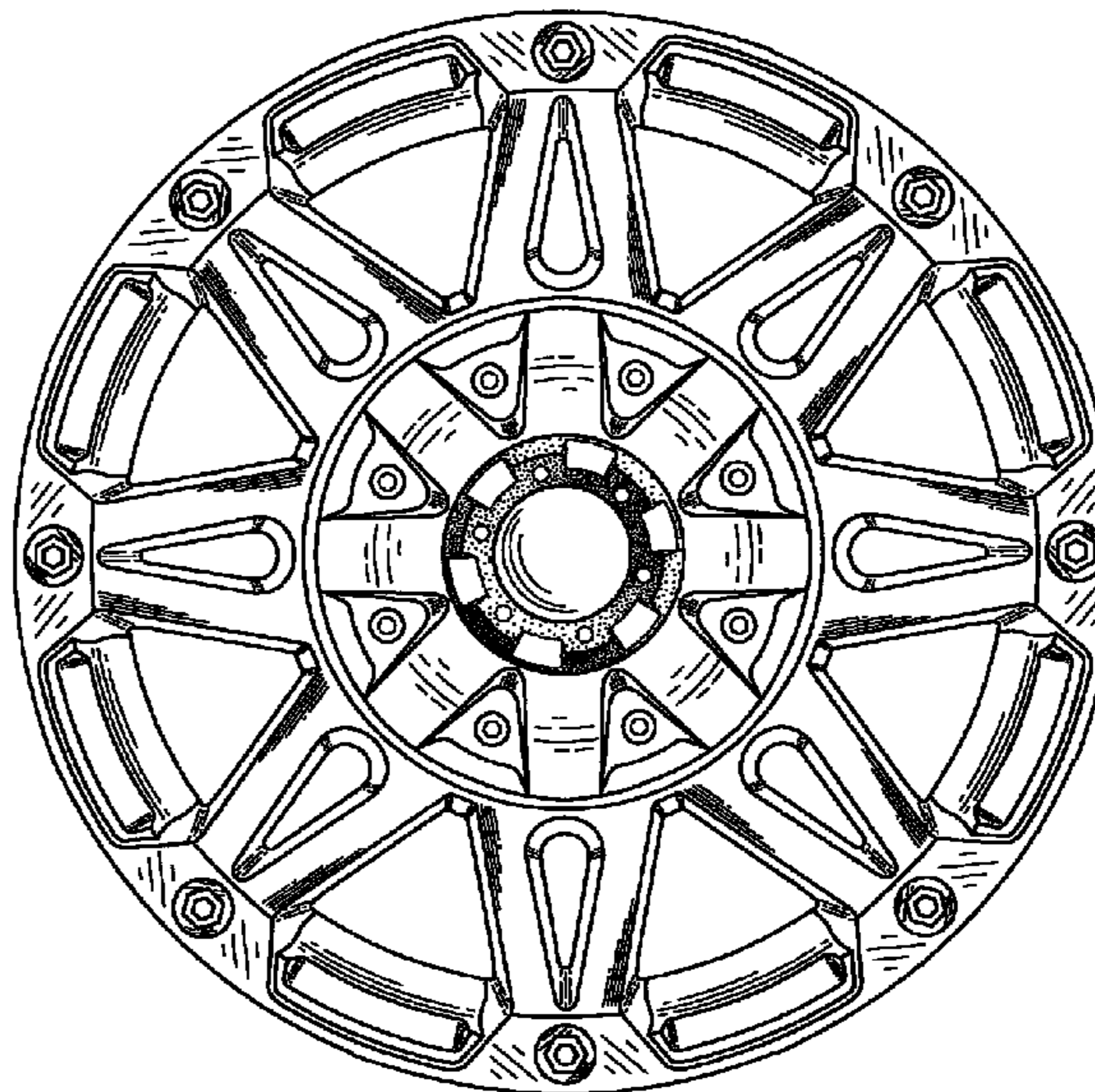
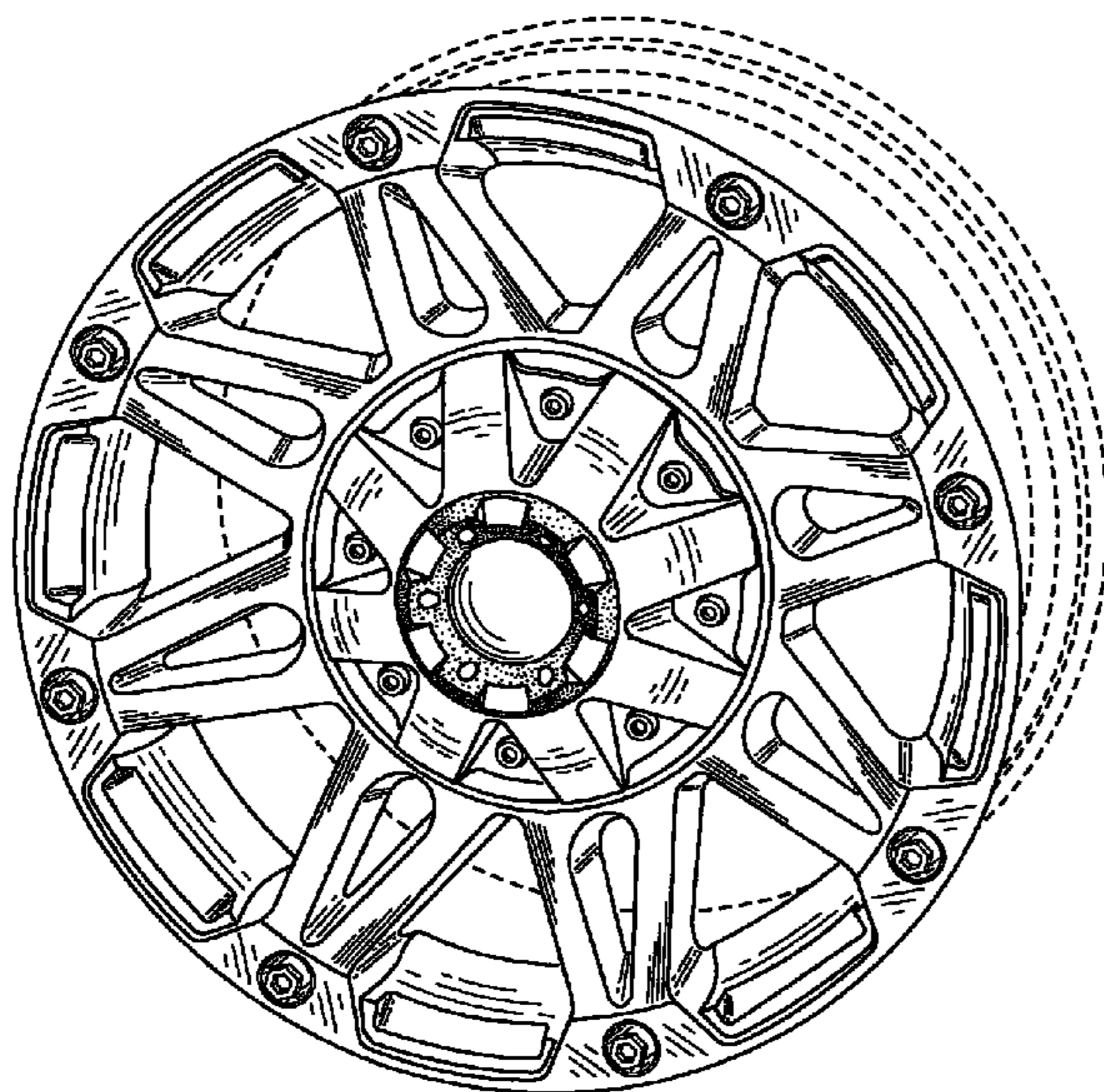
DESCRIPTION

FIG. 1 is a perspective view of an automotive wheel showing my new design; and,

FIG. 2 is a front elevational view of an automotive wheel showing the design herein described.

The broken lines showing the environment are for illustrative purposes only, and form no part of the claimed design.

1 Claim, 2 Drawing Sheets



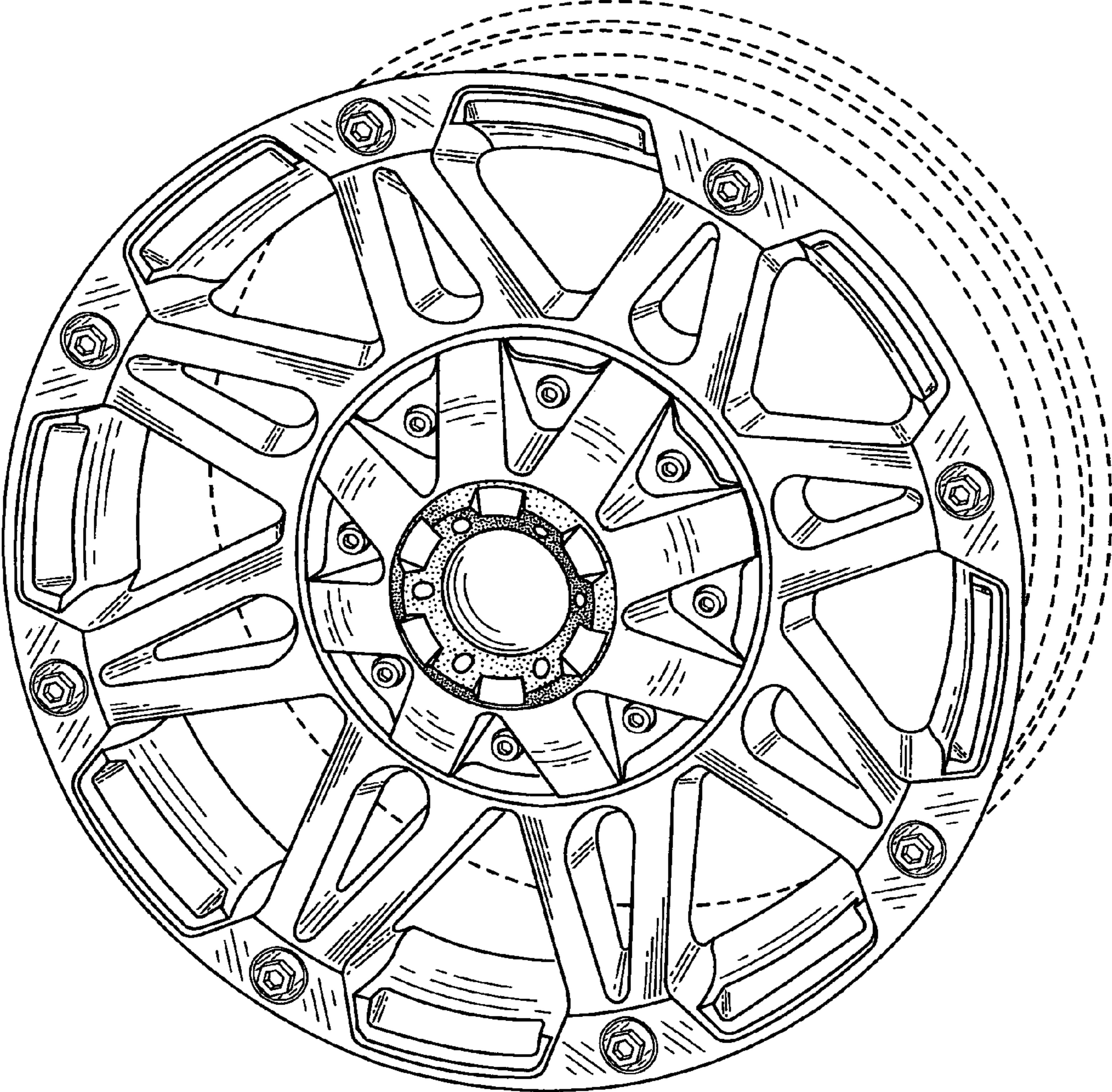


FIG. 1

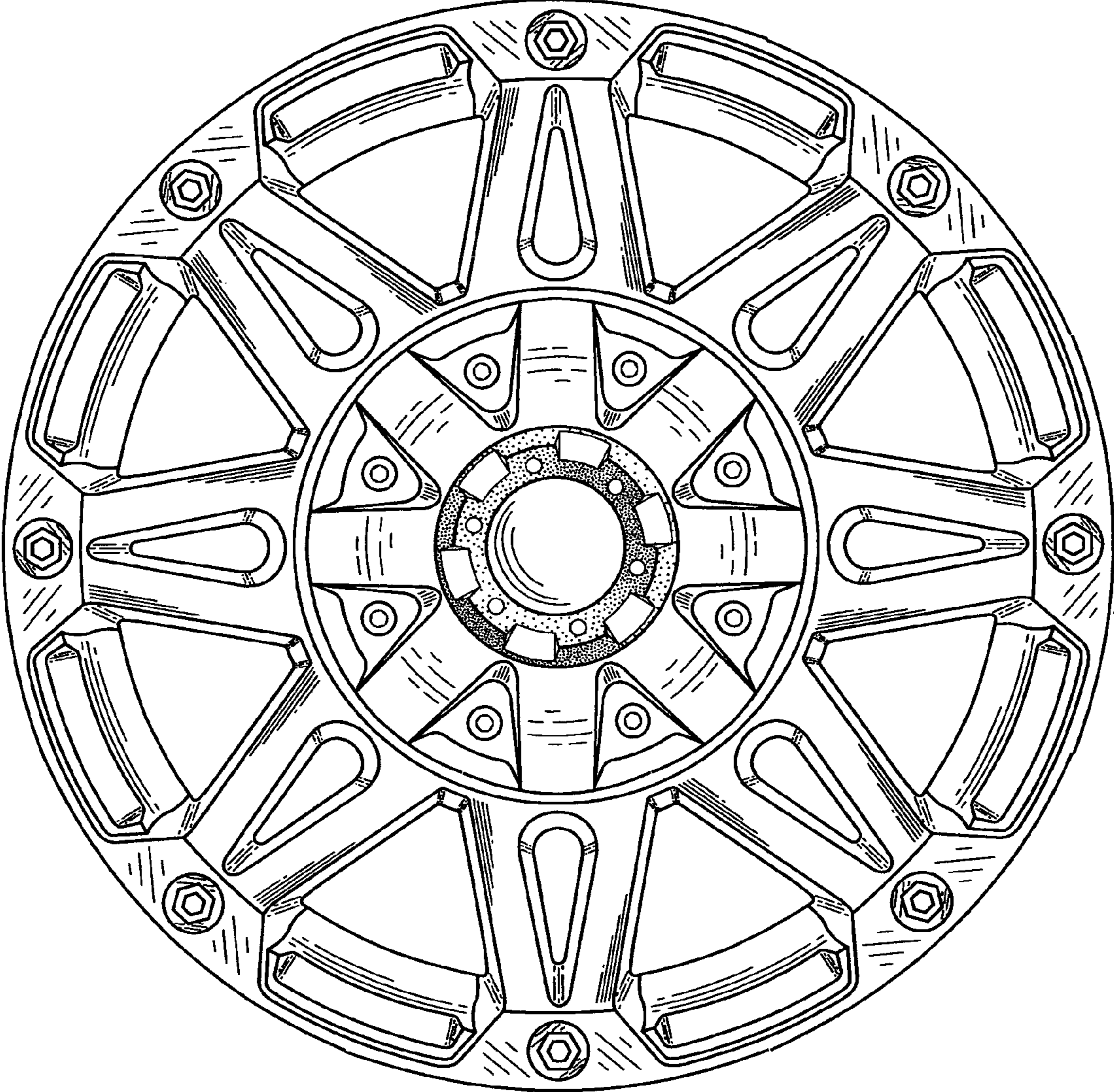


FIG. 2