



US00D633027S

(12) **United States Design Patent**
Matei et al.

(10) **Patent No.:** **US D633,027 S**

(45) **Date of Patent:** **** Feb. 22, 2011**

(54) **WHEEL**

(75) Inventors: **Catalin Matei**, Redondo Beach, CA (US); **David Richard Esparza**, Long Beach, CA (US)

(73) Assignee: **Honda Motor Co., Ltd.**, Tokyo (JP)

(**) Term: **14 Years**

(21) Appl. No.: **29/363,659**

(22) Filed: **Jun. 11, 2010**

(51) **LOC (9) Cl.** **12-16**

(52) **U.S. Cl.** **D12/211**

(58) **Field of Classification Search** D12/204-213;
301/37.101, 64.101, 65, 64.201
See application file for complete search history.

(56) **References Cited**

U.S. PATENT DOCUMENTS

D432,972 S *	10/2000	Chung	D12/209
D470,812 S *	2/2003	Chu	D12/211
D501,816 S *	2/2005	Bernoni	D12/209
D519,907 S *	5/2006	Kikuchi	D12/211
D529,430 S *	10/2006	Hsu	D12/209
D535,606 S *	1/2007	Hernandez	D12/211

D543,493 S *	5/2007	Kim	D12/209
D548,165 S *	8/2007	Young	D12/211
D580,335 S *	11/2008	Choi et al.	D12/211
D597,012 S *	7/2009	Chung	D12/211
D614,111 S *	4/2010	Tant et al.	D12/211
D620,421 S *	7/2010	Lamm et al.	D12/209

* cited by examiner

Primary Examiner—Stacia Cadmus

(74) *Attorney, Agent, or Firm*—Plumsea Law Group, LLC; Mark E. Duell

(57) **CLAIM**

The ornamental design for a wheel, as shown and described.

DESCRIPTION

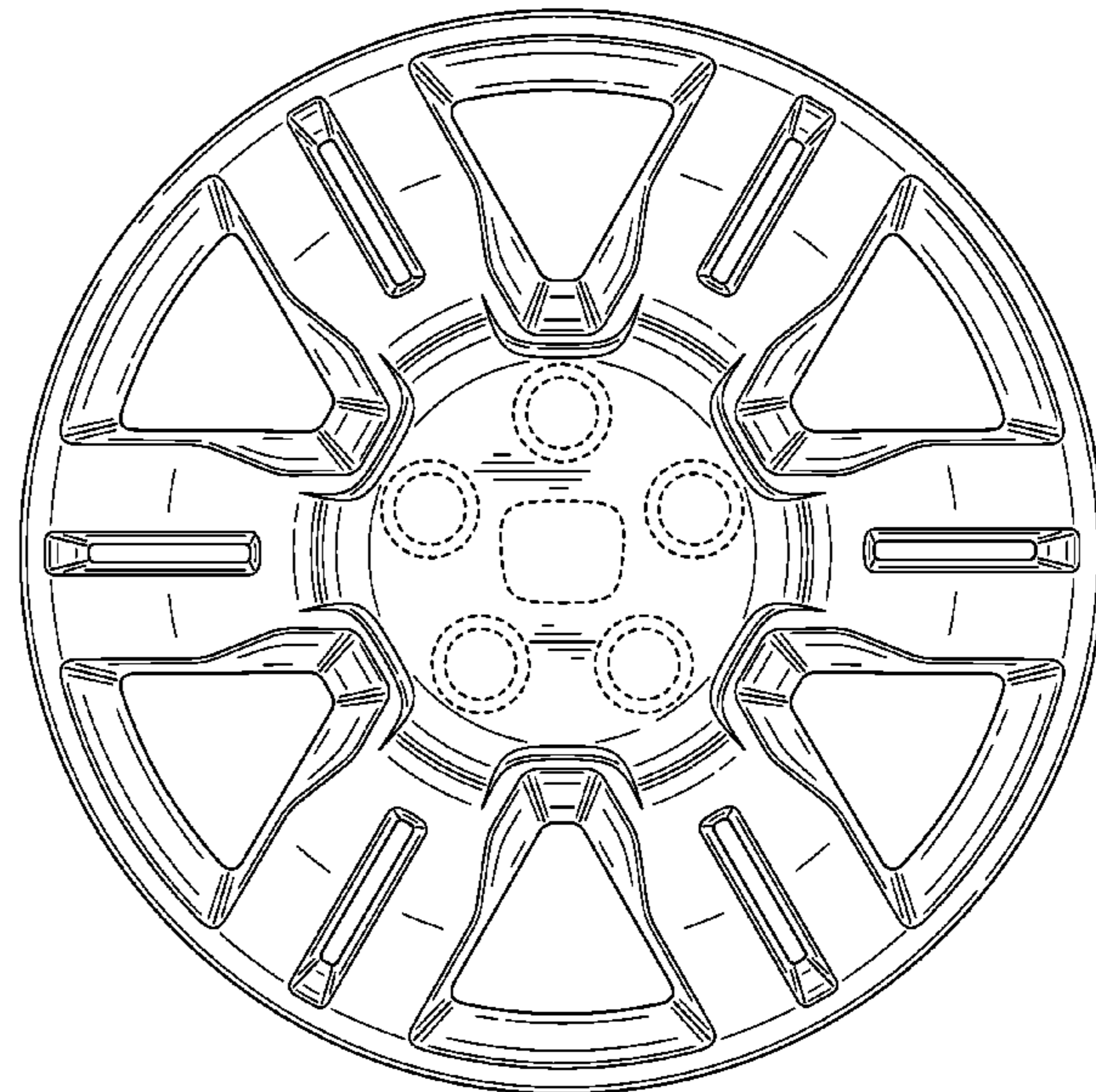
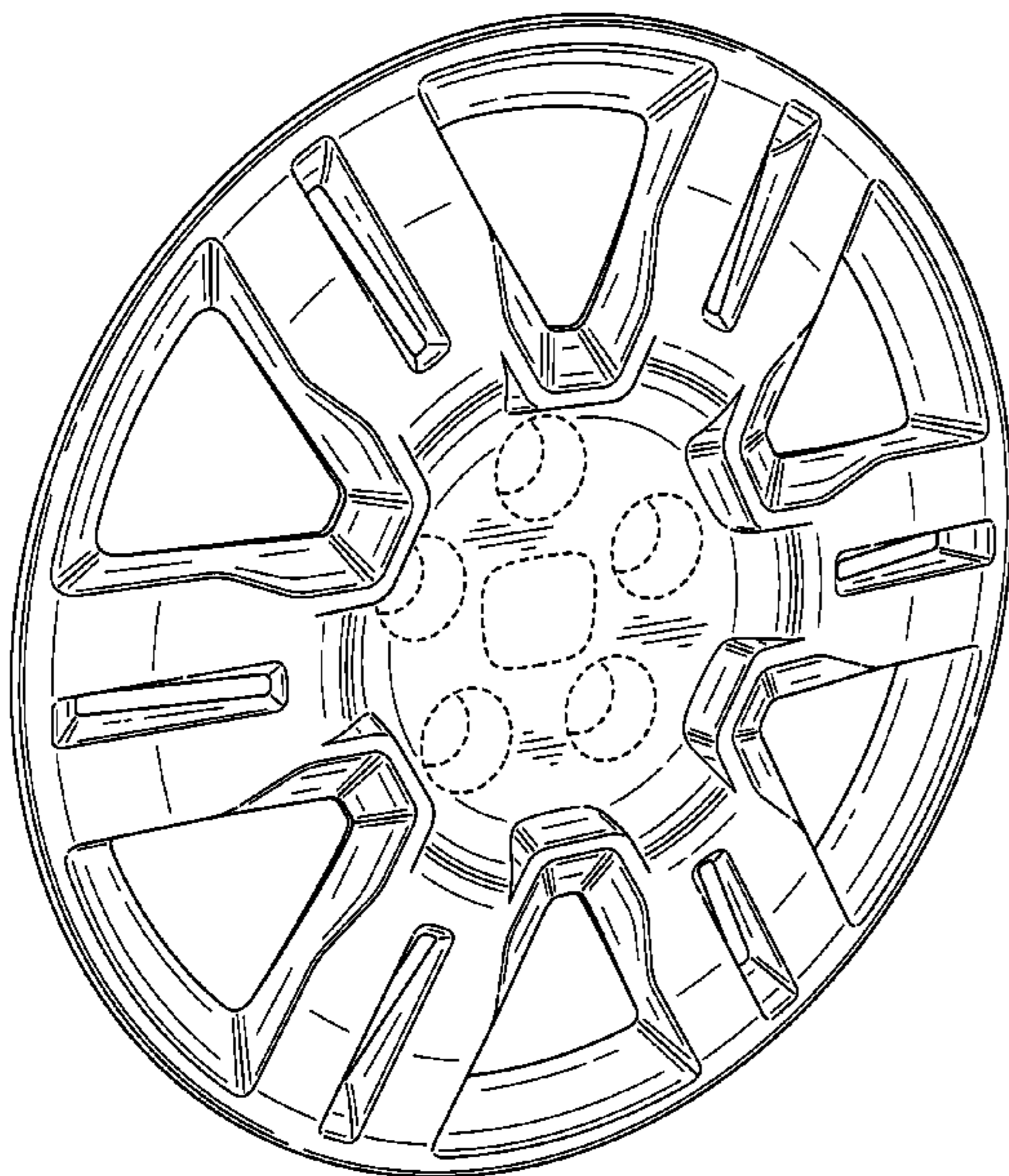
FIG. 1 is a perspective view of a wheel, showing our new design;

FIG. 2 is a front view thereof; and,

FIG. 3 is a side view thereof.

The broken line showing of the rear of the wheel, and the bolt holes and center hole in the central hub area is included for the purpose of illustrating environment and forms no part of the claimed design.

1 Claim, 3 Drawing Sheets



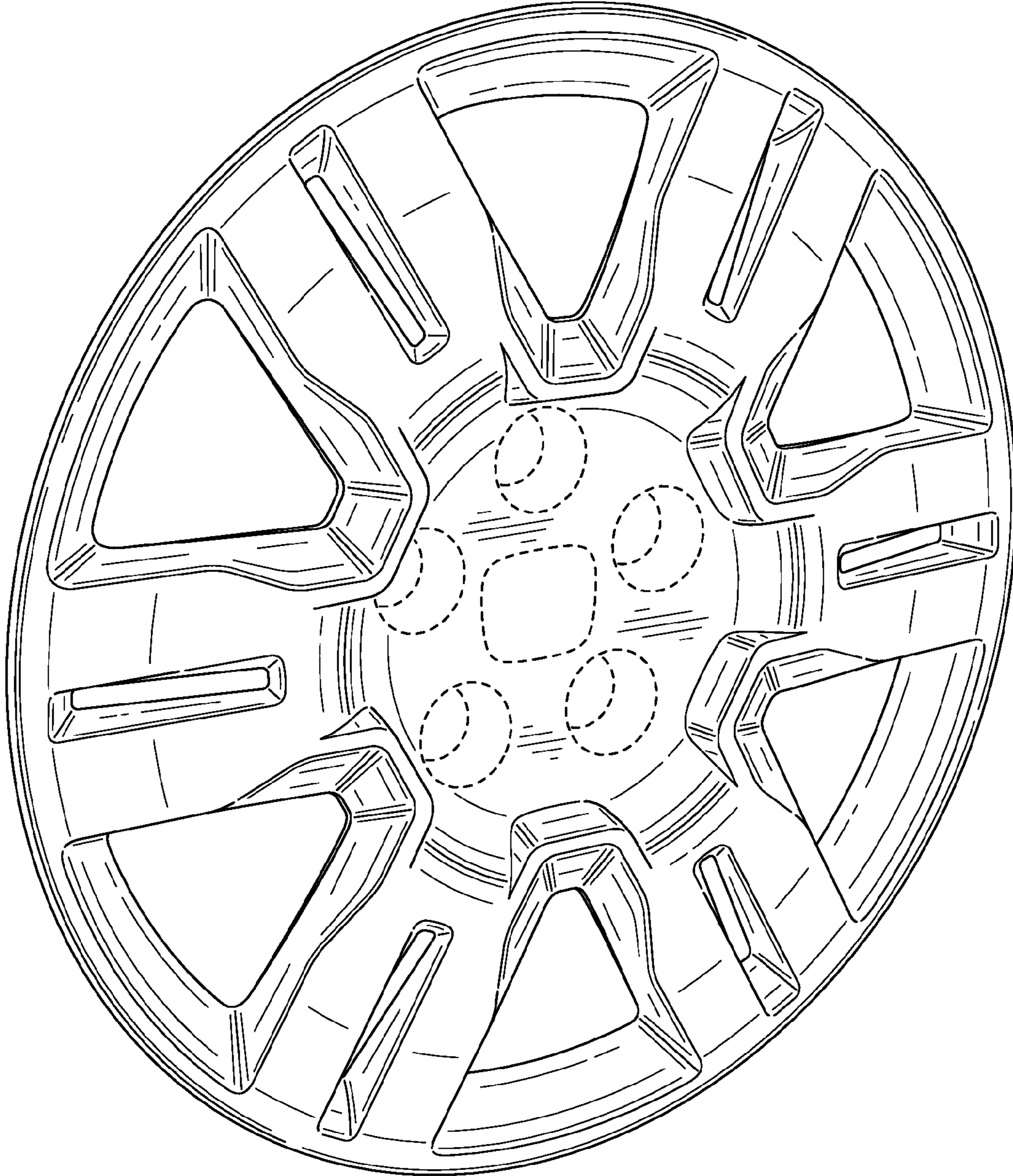


FIG. 1

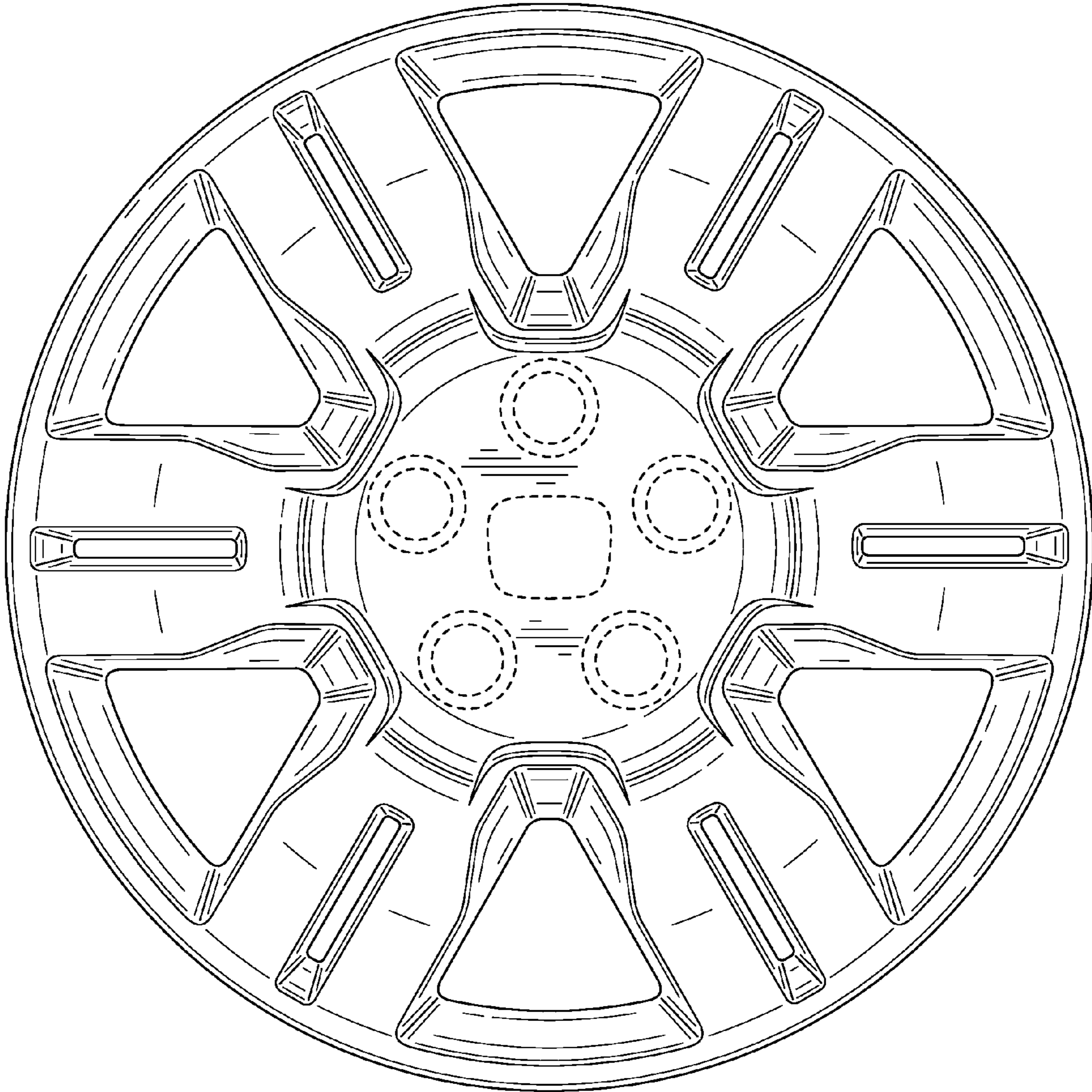


FIG. 2

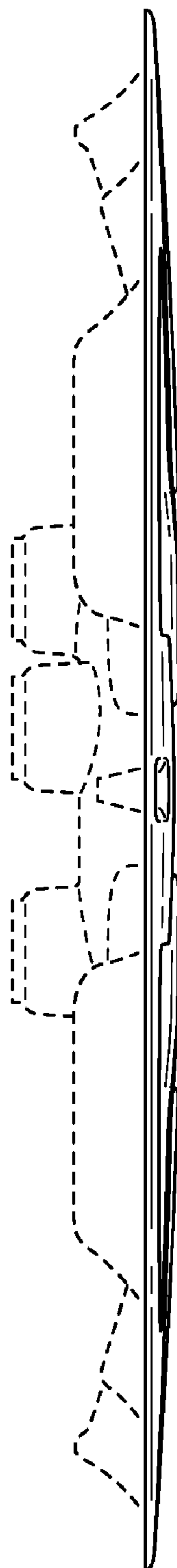


FIG. 3