



US00D633025S

(12) **United States Design Patent**
Matei et al.

(10) **Patent No.:** **US D633,025 S**

(45) **Date of Patent:** **** Feb. 22, 2011**

(54) **WHEEL**

(75) Inventors: **Catalin Matei**, Redondo Beach, CA
(US); **David R Esparza**, Long Beach,
CA (US)

(73) Assignee: **Honda Motor Co., Ltd.**, Tokyo (JP)

(**) Term: **14 Years**

(21) Appl. No.: **29/355,683**

(22) Filed: **Feb. 11, 2010**

(51) **LOC (9) Cl.** **12-16**

(52) **U.S. Cl.** **D12/209**

(58) **Field of Classification Search** D12/204–213;
301/37.101, 64.101, 65, 64.201
See application file for complete search history.

(56) **References Cited**

U.S. PATENT DOCUMENTS

D457,847 S *	5/2002	Neeper	D12/209
D481,985 S *	11/2003	Cahyono	D12/211
D493,405 S *	7/2004	Boyer	D12/211
D527,329 S *	8/2006	Pfeiffer	D12/211
D549,633 S *	8/2007	Sycha	D12/209
D570,759 S *	6/2008	Antoniadis et al.	D12/209
D576,534 S *	9/2008	Pfeiffer	D12/209

D579,396 S *	10/2008	Osborne	D12/209
D581,850 S *	12/2008	Leclercq	D12/209
D587,180 S *	2/2009	Pfeiffer	D12/209
D589,864 S *	4/2009	Friedrich et al.	D12/209
D593,921 S *	6/2009	Miyazawa	D12/211
D613,228 S *	4/2010	Juergens et al.	D12/209
D613,656 S *	4/2010	Antoniadis et al.	D12/209
D614,107 S *	4/2010	Juergens et al.	D12/209

* cited by examiner

Primary Examiner—Stacia Cadmus

(74) *Attorney, Agent, or Firm*—Plumsea Law Group, LLC;
Mark E. Duell

(57) **CLAIM**

The ornamental design for a wheel, as shown and described.

DESCRIPTION

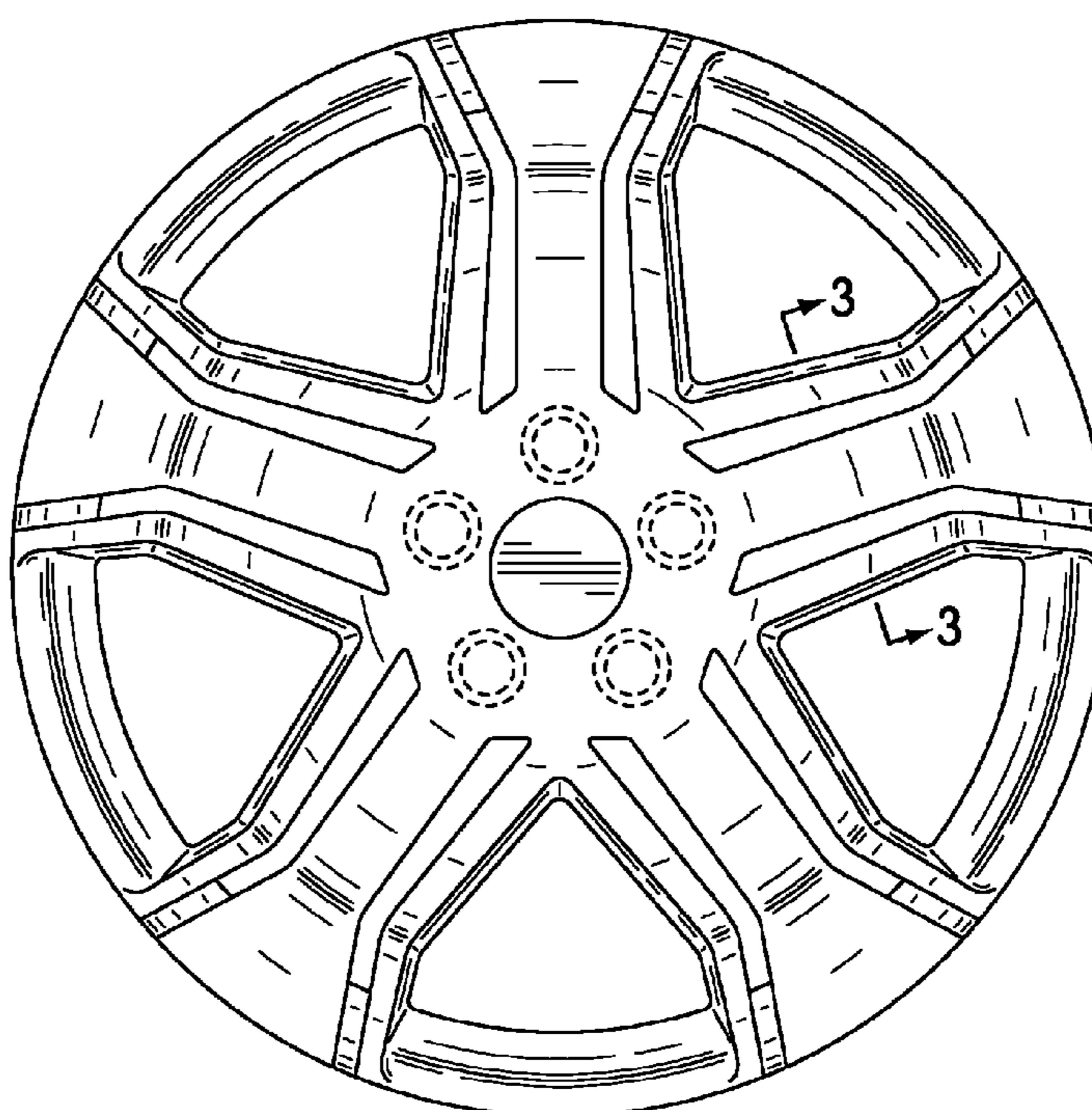
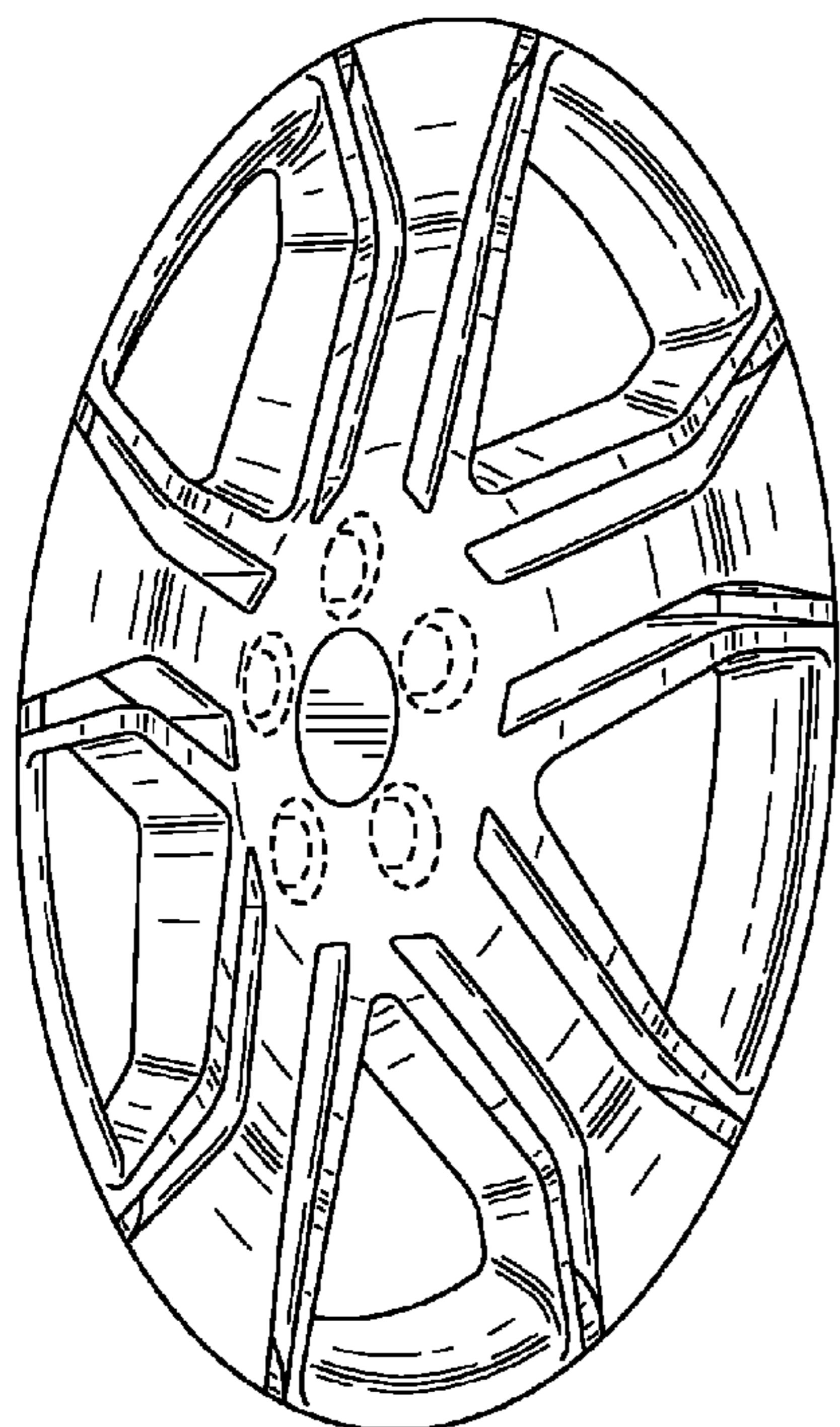
FIG. 1 is a perspective view of a wheel showing our new design;

FIG. 2 is an elevational view thereof; and,

FIG. 3 is a cross-section thereof taken along line 3—3 in FIG. 2.

The broken line showings of the lug nut apertures form no part of the claimed design.

1 Claim, 3 Drawing Sheets



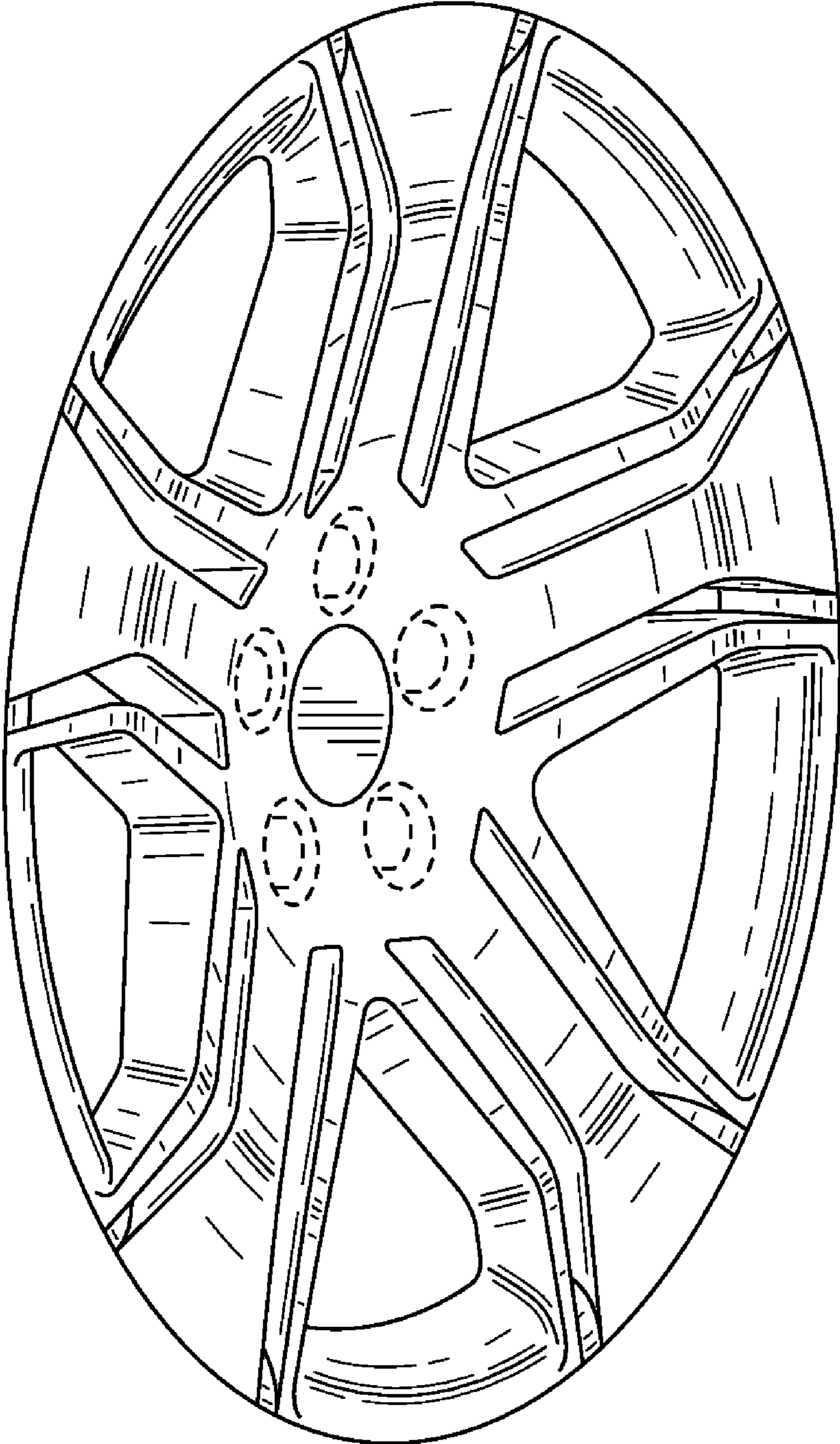


FIG. 1

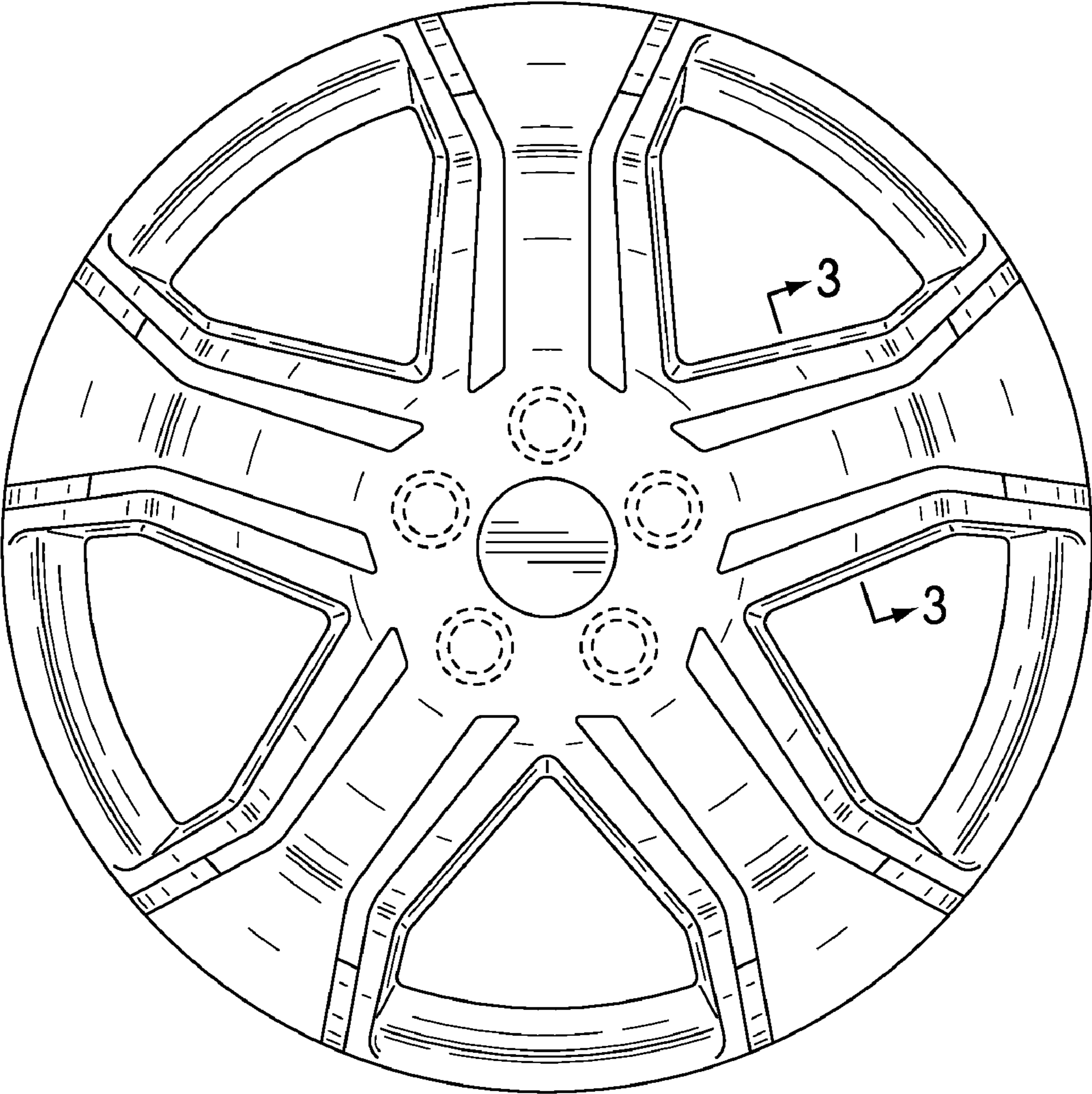


FIG. 2

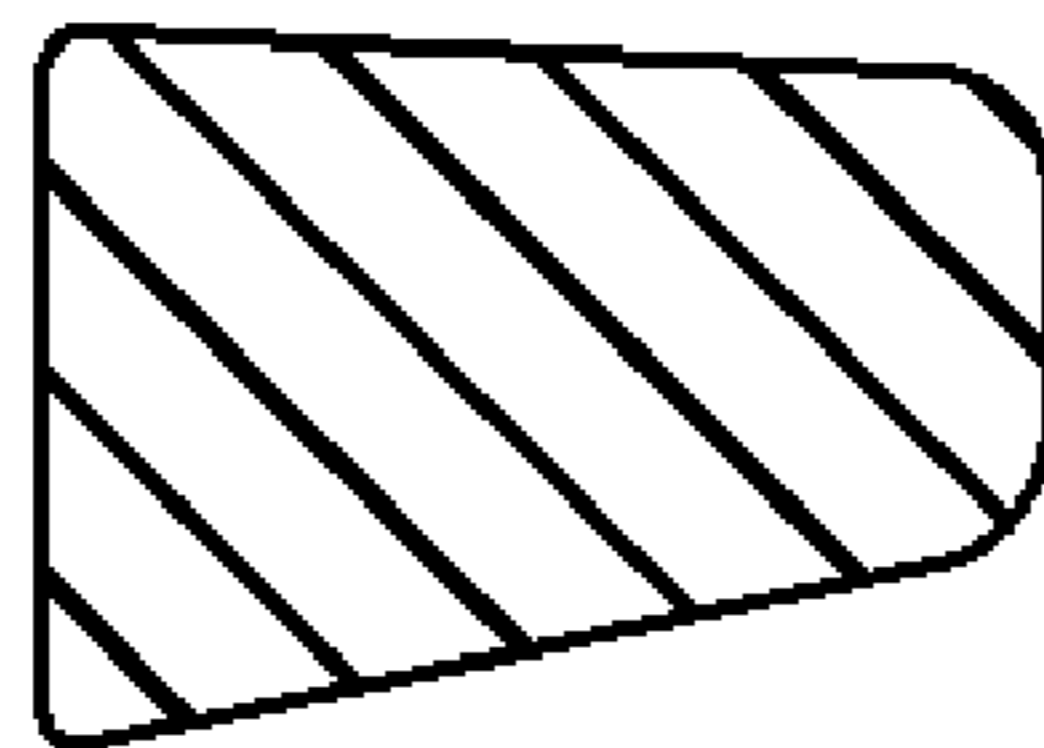
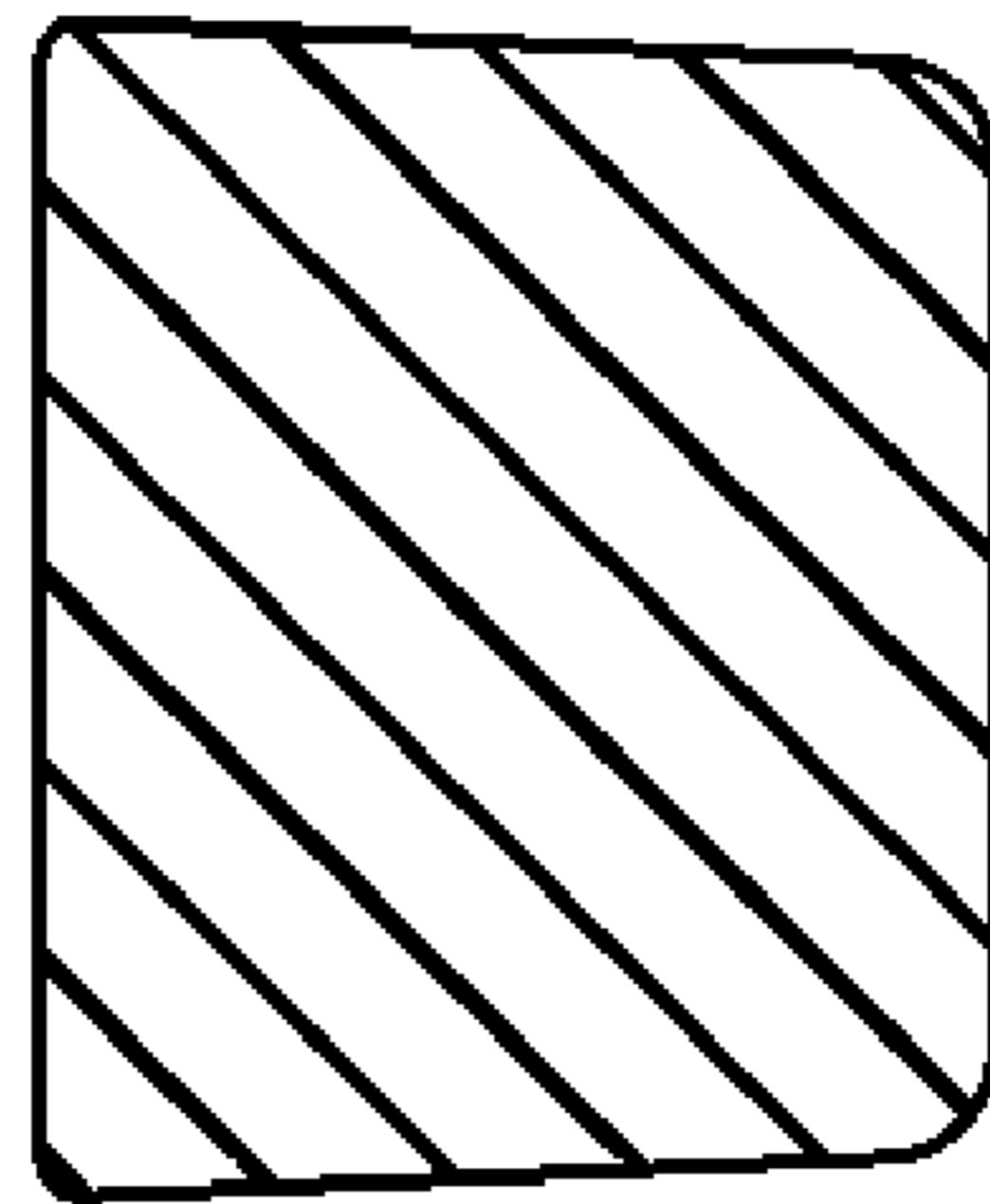
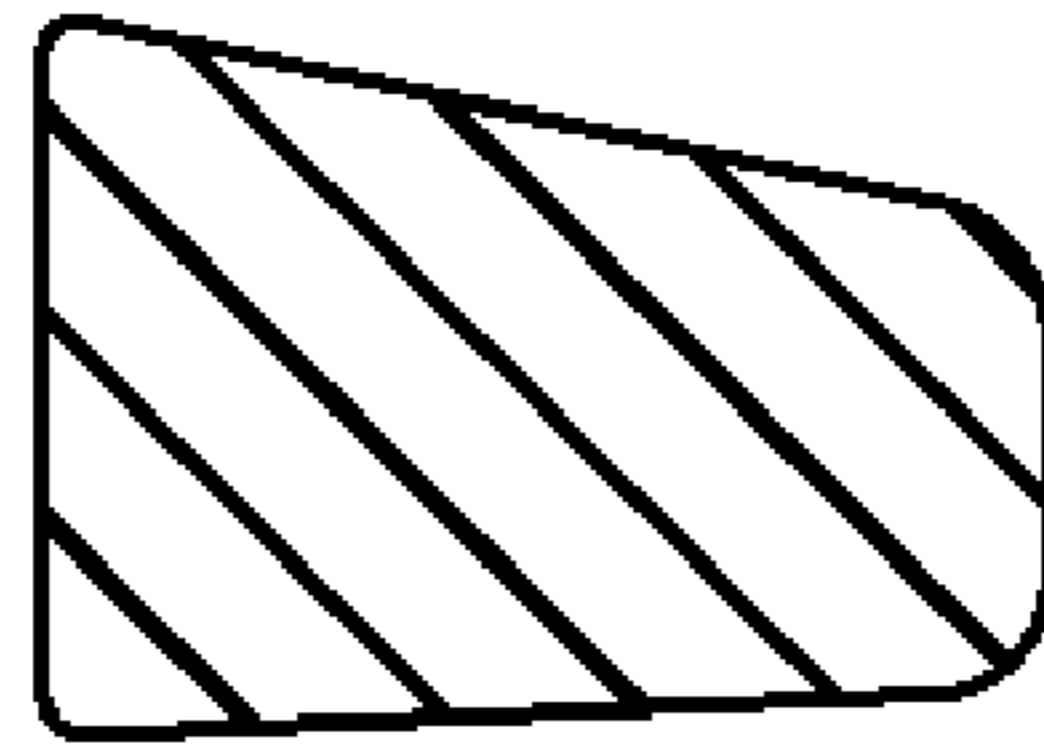


FIG. 3