



US00D633024S

(12) **United States Design Patent**
Harriton

(10) **Patent No.:** **US D633,024 S**

(45) **Date of Patent:** **** Feb. 22, 2011**

(54) **TIRE CARRIER**

(75) Inventor: **David Harriton**, Missoula, MT (US)

(73) Assignee: **Streetcar ORV LLC**, Wixom, MI (US)

(**) Term: **14 Years**

(21) Appl. No.: **29/380,412**

(22) Filed: **Dec. 3, 2010**

(51) **LOC (9) Cl.** **12-16**

(52) **U.S. Cl.** **D12/202**

(58) **Field of Classification Search** D12/202;
141/462-466, 400; 296/146.11; 362/496,
362/500, 505, 320, 42, 540-541; 224/502-509,
224/42.21, 42.24, 42.28, 517, 519-520, 488-489
See application file for complete search history.

(56) **References Cited**

U.S. PATENT DOCUMENTS

1,206,802 A	12/1916	Beck	
2,698,118 A	12/1954	Dickason	
3,326,434 A	6/1967	Cheadle	
3,448,904 A *	6/1969	Sahr	224/42.21
3,804,308 A	4/1974	Bodde	
4,019,664 A	4/1977	Weiler	
4,042,157 A	8/1977	Weiler	
D251,839 S	5/1979	Bodde	
4,679,717 A	7/1987	Hansen	
4,817,834 A	4/1989	Weiler	
D308,959 S *	7/1990	Ware	D12/202
D310,507 S *	9/1990	Ware	D12/202
5,186,371 A	2/1993	Jozefczak et al.	
5,538,168 A	7/1996	Burger et al.	
5,564,611 A	10/1996	Weiler	
5,647,086 A	7/1997	Gold	

5,713,501 A	2/1998	Yokoyama et al.	
5,967,389 A	10/1999	Hutter et al.	
D424,005 S *	5/2000	Henry	D12/202
6,189,748 B1	2/2001	Hutter et al.	
D473,835 S *	4/2003	Roehmer et al.	D12/202
6,607,346 B2	8/2003	Dunsch et al.	
6,659,318 B2	12/2003	Newbill	
6,796,466 B2	9/2004	Essig	
D505,649 S *	5/2005	Kenney	D12/202
D609,619 S *	2/2010	Newbill	D12/202
2002/0017543 A1	2/2002	Dunsch et al.	
2002/0084298 A1	7/2002	Essig	
2004/0222261 A1	11/2004	Wilson	

* cited by examiner

Primary Examiner—Stacia Cadmus

(74) *Attorney, Agent, or Firm*—Quinn Law Group, PLLC

(57) **CLAIM**

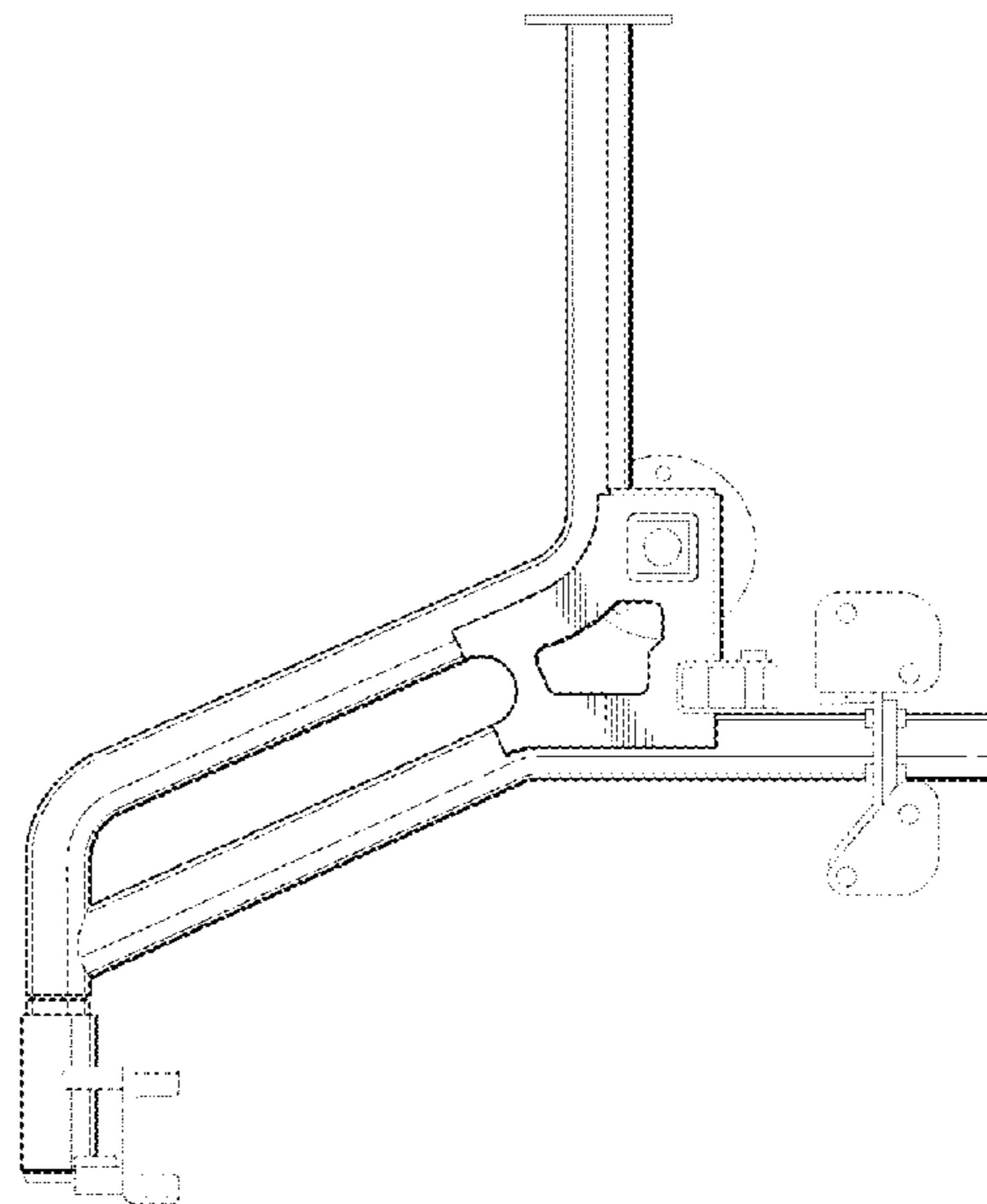
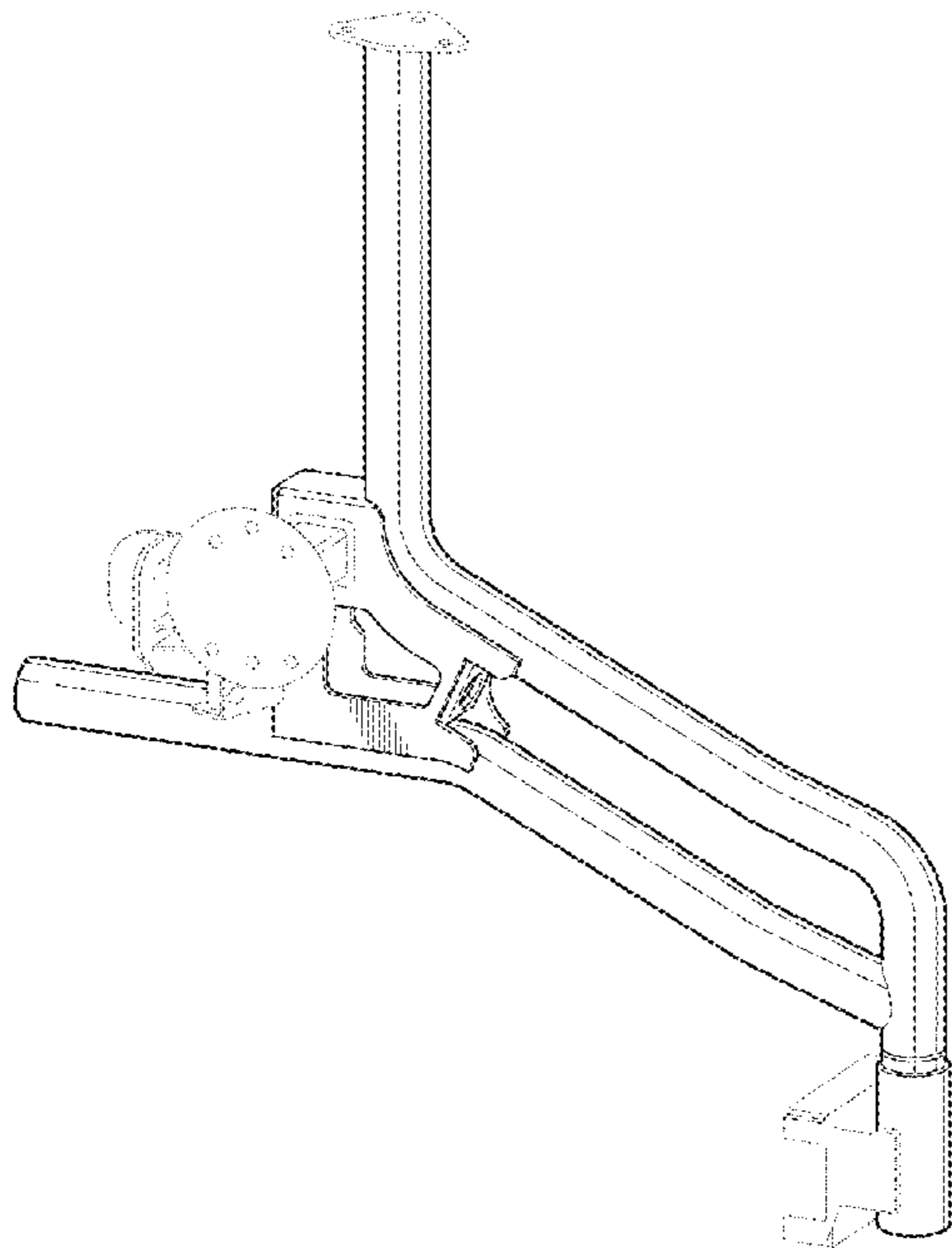
I claim the ornamental design for a tire carrier, as shown and described.

DESCRIPTION

FIG. 1 is a top right rear perspective view of a tire carrier, FIG. 2 is a rear view of the tire carrier of FIG. 1, FIG. 3 is a bottom view of the tire carrier of FIG. 1, FIG. 4 is a top view of the tire carrier of FIG. 1, FIG. 5 is a right side view of the tire carrier of FIG. 1, FIG. 6 is a left side view of the tire carrier of FIG. 1; and, FIG. 7 is a front view of the tire carrier of FIG. 1.

All broken lines illustrate portions of the tire carrier to which the design is applied that form no part of the claim.

1 Claim, 6 Drawing Sheets



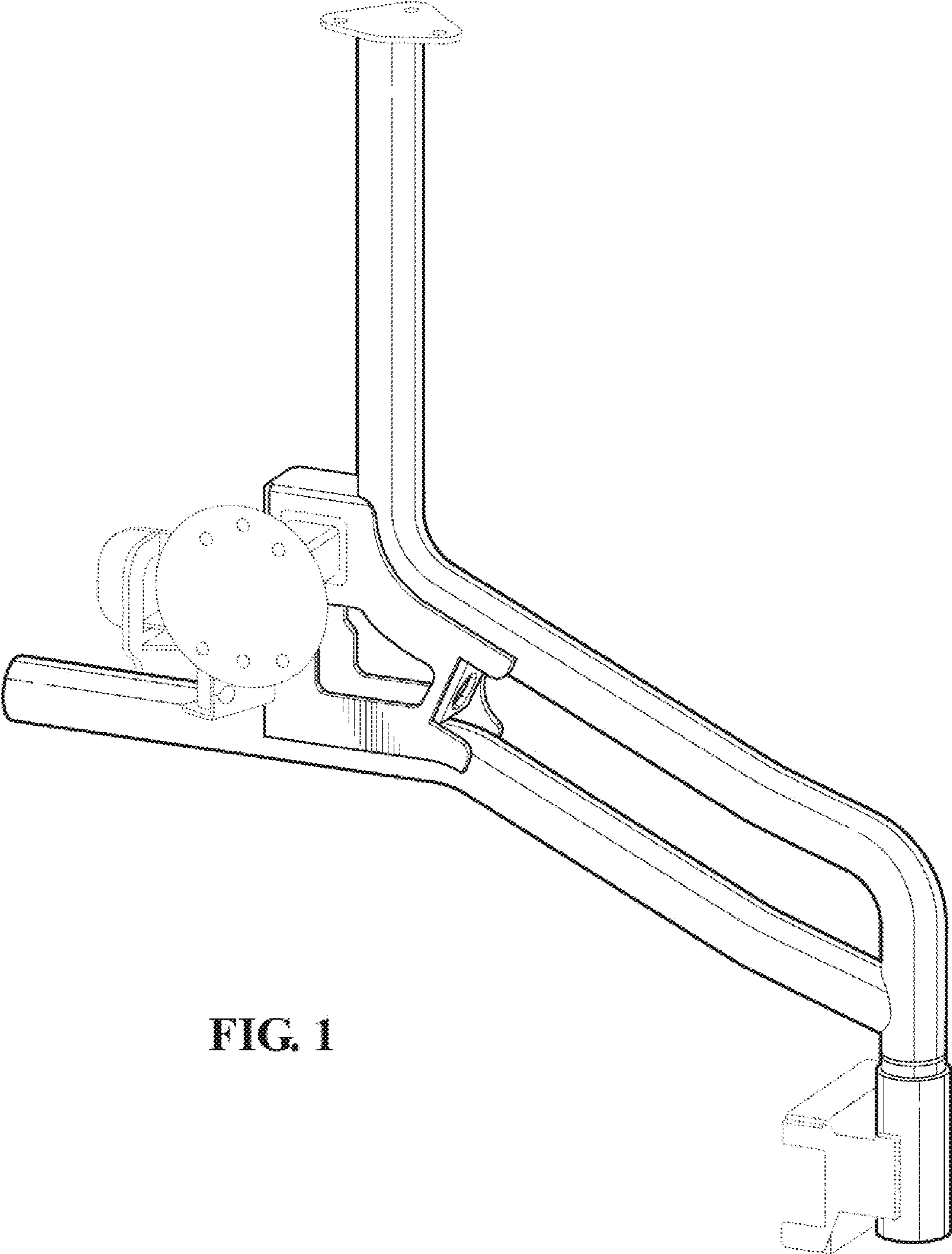


FIG. 1

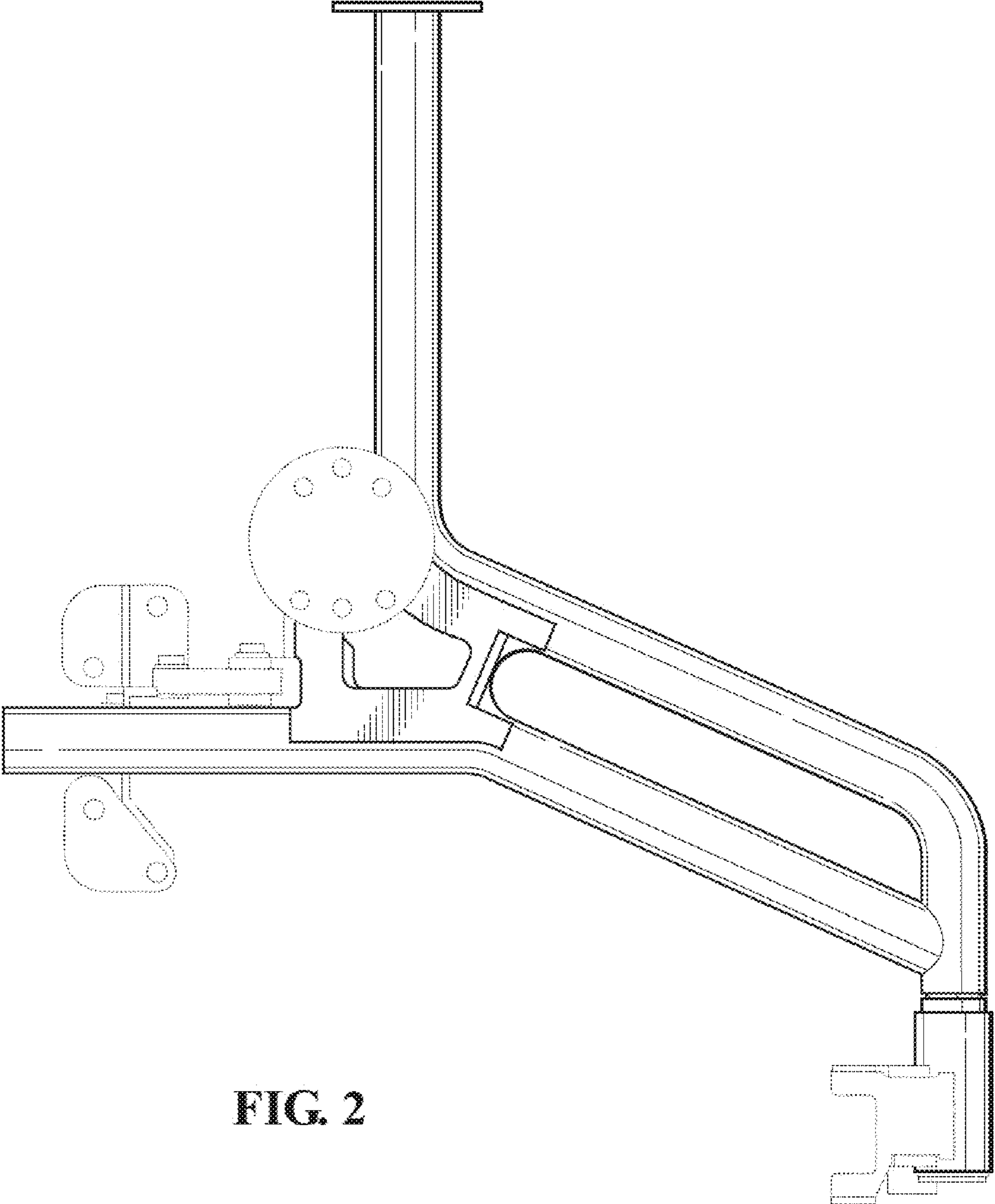


FIG. 2

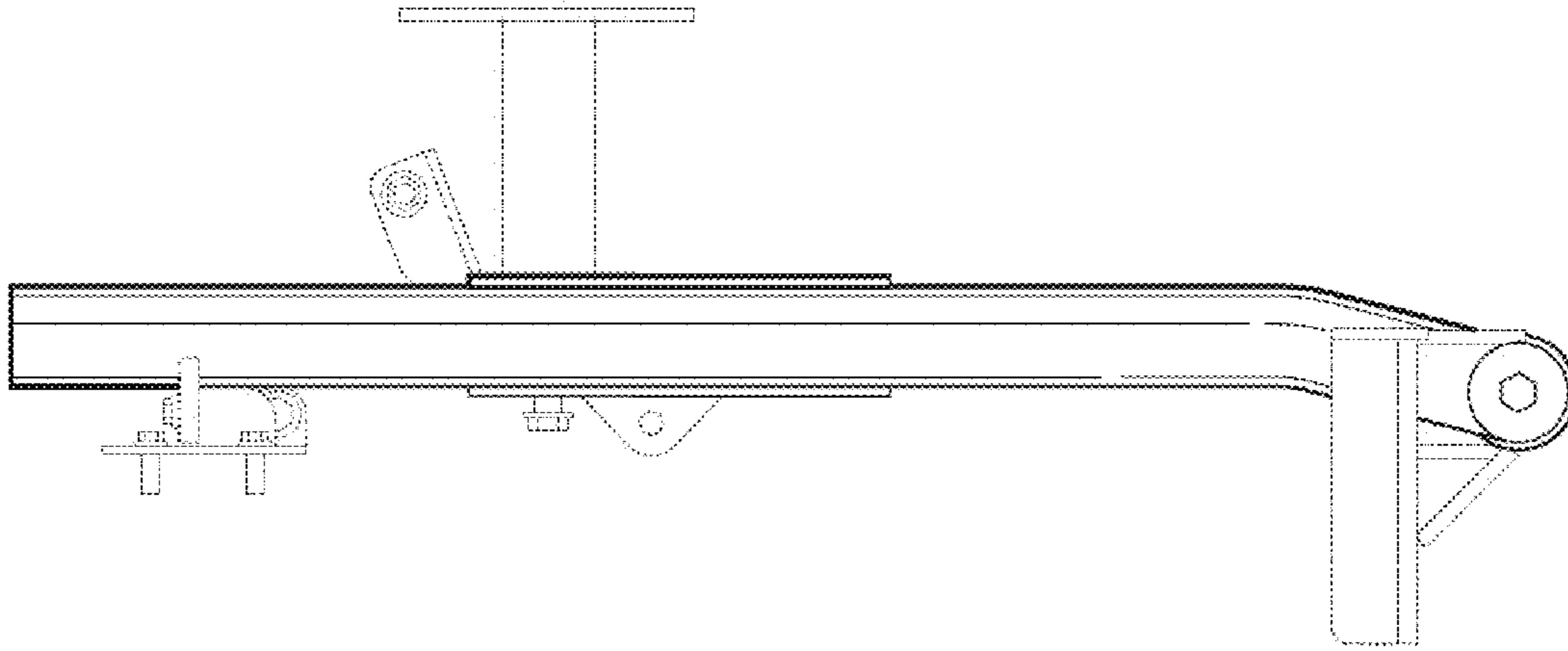


FIG. 3

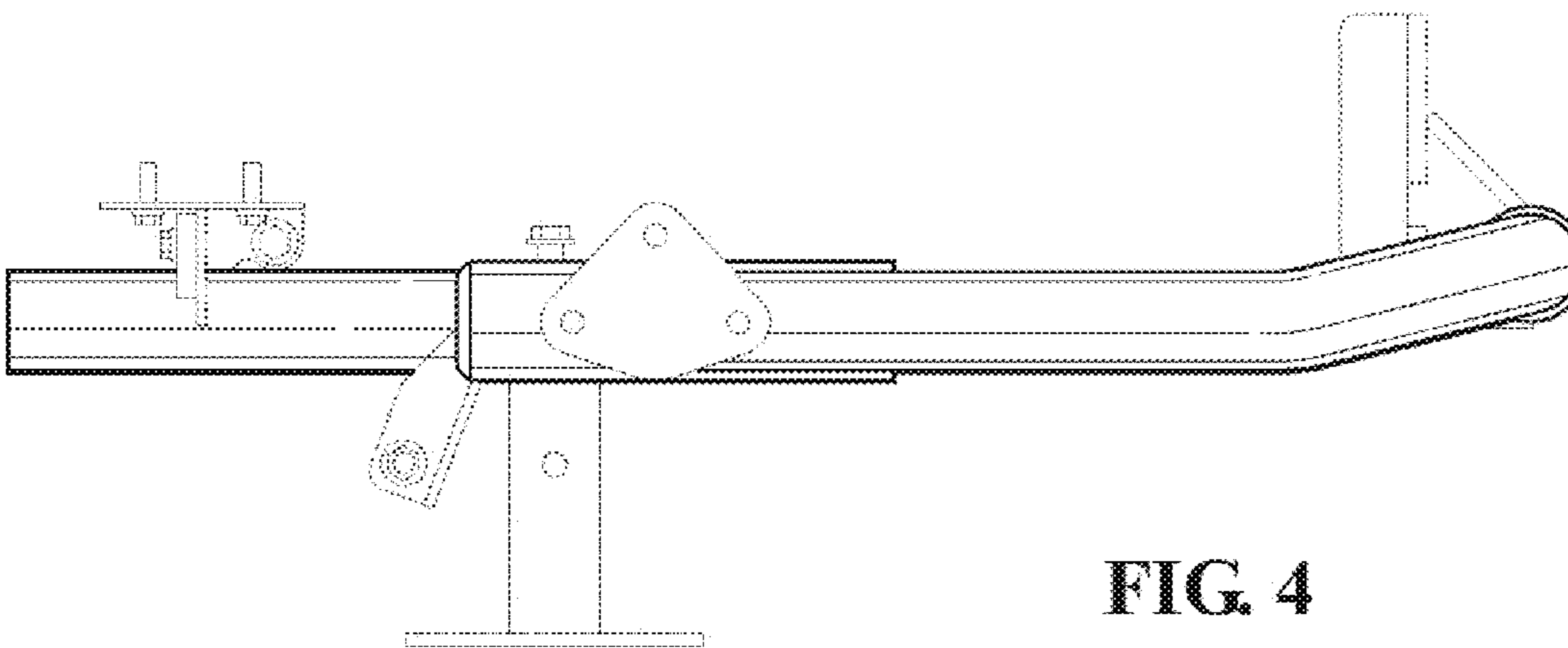


FIG. 4

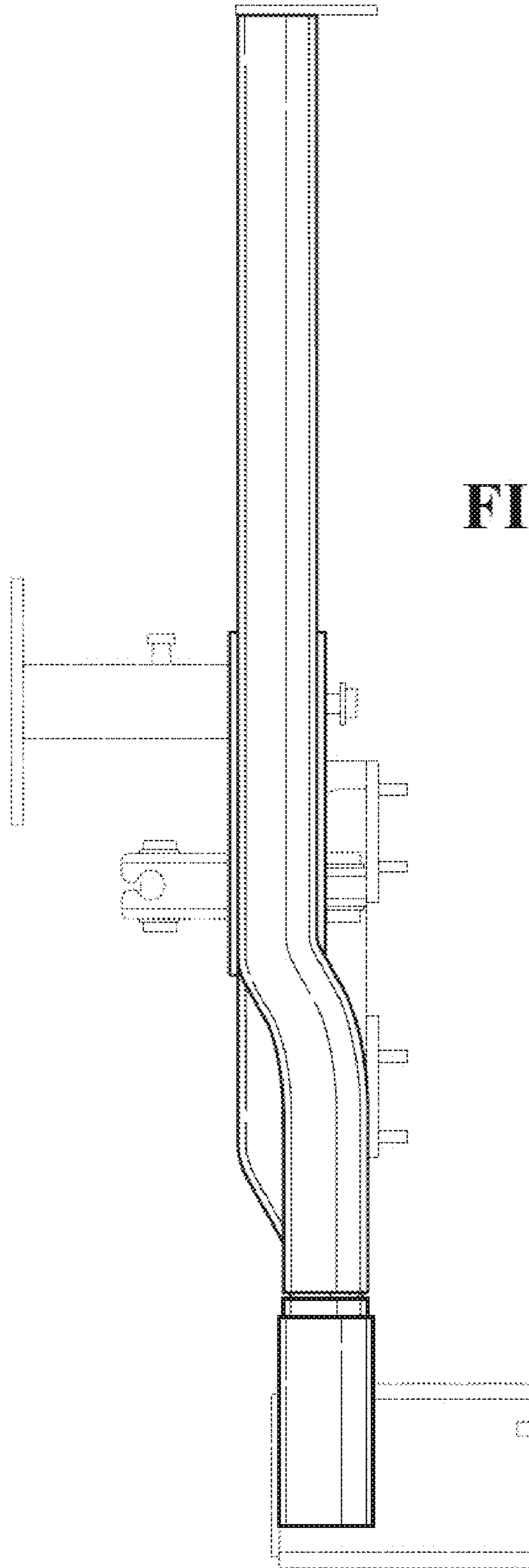
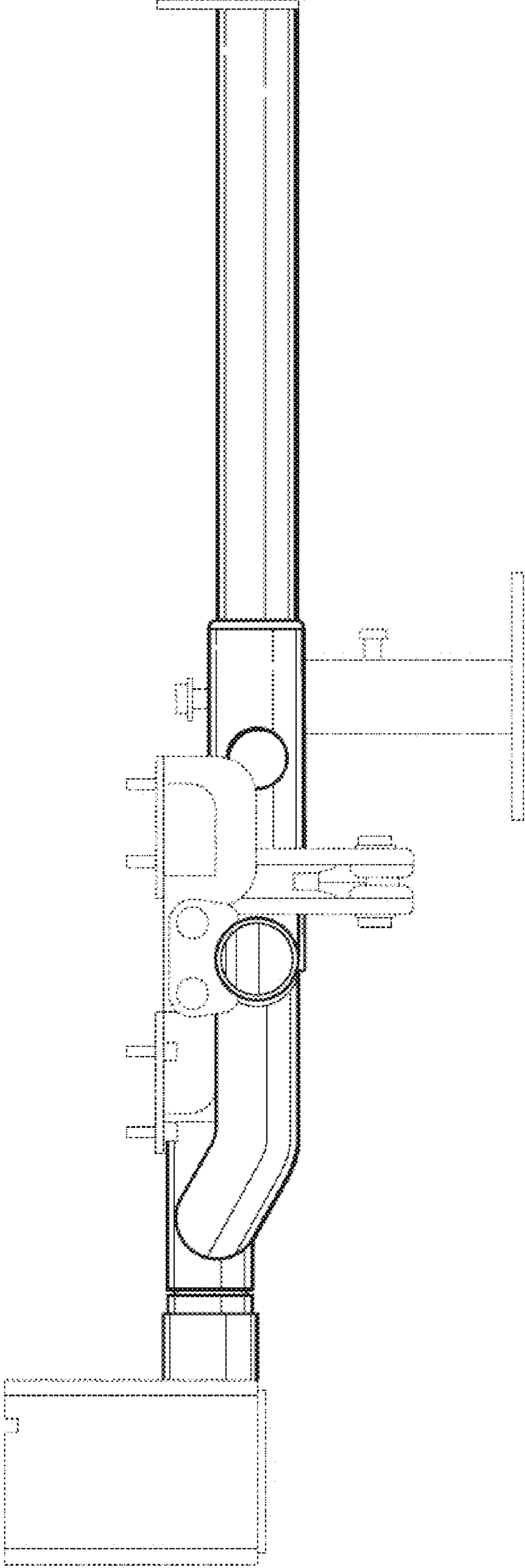


FIG. 5

FIG. 6



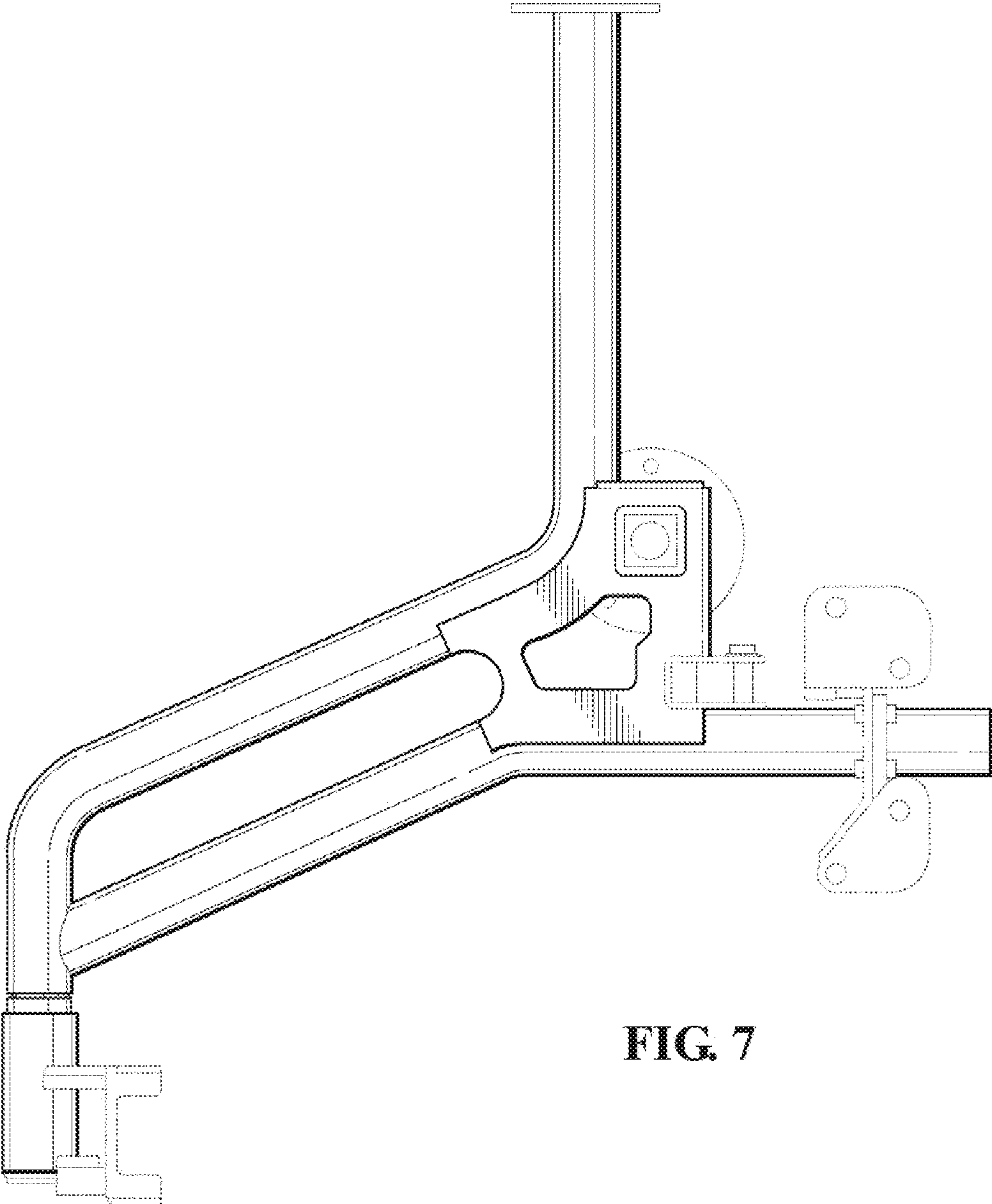


FIG. 7