



US00D633021S

(12) **United States Design Patent**
Lemon

(10) **Patent No.:** **US D633,021 S**
(45) **Date of Patent:** **** Feb. 22, 2011**

(54) **EXHAUST PIPE SET FOR A MINIVAN**

JP 61040409 A * 2/1986

(76) Inventor: **Shawna Cannon Lemon**, 301
Keybridge Dr., Morrisville, NC (US)
27560

(**) Term: **14 Years**

(21) Appl. No.: **29/370,305**

(22) Filed: **Jun. 28, 2010**

Related U.S. Application Data

(62) Division of application No. 29/312,543, filed on Oct.
29, 2008, now Pat. No. Des. 619,067.

(51) **LOC (9) Cl.** **12-16**

(52) **U.S. Cl.** **D12/194**

(58) **Field of Classification Search** D12/194;
138/37-39, 44, 103, 109; 180/89.2, 296,
180/309; 181/227, 228, 239-241, 247-249,
181/264, 282; 29/890.08; D15/5; 60/303,
60/313, 323; 293/113

See application file for complete search history.

(56) **References Cited**

U.S. PATENT DOCUMENTS

3,955,643	A *	5/1976	Clark	181/248
4,478,310	A *	10/1984	Harter	181/241
5,108,333	A *	4/1992	Heider et al.	445/26
5,198,625	A *	3/1993	Borla	181/248
5,200,582	A *	4/1993	Kraai et al.	181/256
D435,815	S *	1/2001	Larson	D12/169

(Continued)

FOREIGN PATENT DOCUMENTS

EP	271465	A2 *	6/1988
JP	59183018	A *	10/1984

OTHER PUBLICATIONS

09 Honda Odyssey brochure, American Honda Motor Co., Inc. (USA
2008).

Paul Hochman, Pimp out your family minivan with accessories,
MSNBC.com (Sep. 27, 2006).

<http://www.grounddynamics.com> (95-98 Honda Odyssey Body
Kits) (viewed Apr. 28, 2009).

<http://www.grounddynamics.com> (99-03 Honda Odyssey Body
Kits) (viewed Apr. 28, 2009).

Primary Examiner—T. Chase Nelson

Assistant Examiner—Michael A Pratt

(57) **CLAIM**

The ornamental design for exhaust pipe set for a minivan,
substantially as shown and described.

DESCRIPTION

FIG. 1 is a partial perspective view of the present design
showing an exhaust pipe sets for a minivan;

FIG. 2 is a rear view thereof;

FIG. 3 is a side view thereof, the opposite side being a mirror
image thereof; and

FIG. 4 is a partial perspective view of another embodiment of
the present design showing an exhaust pipe sets for a minivan;

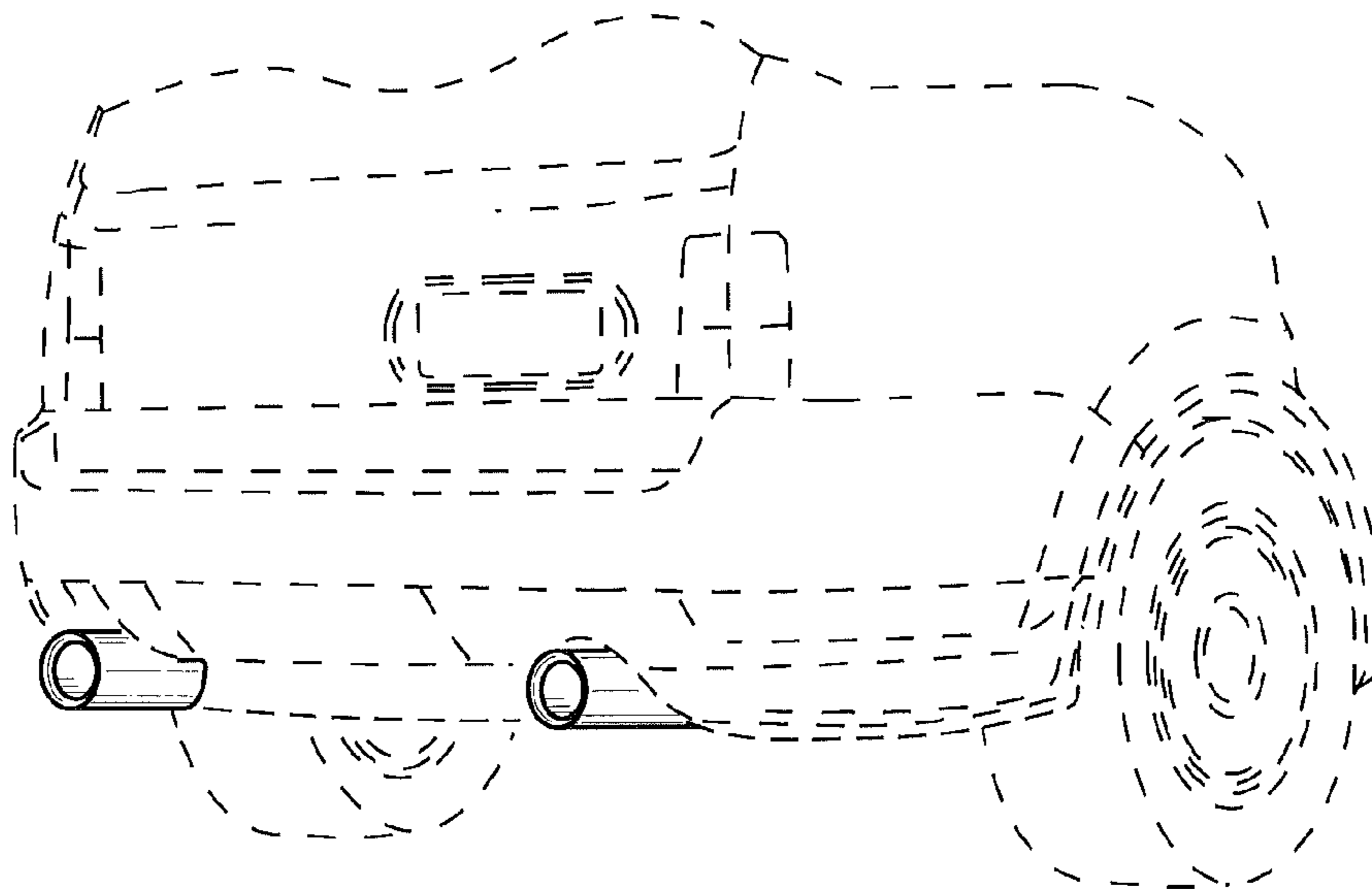
FIG. 5 is a rear view thereof;

FIG. 6 is a side view thereof, the opposite side being a mirror
image thereof; and,

FIG. 7 is a top view of embodiments corresponding to the
present design.

The bottom view is disclaimed herein. The portions of the
design shown in broken/dashed lines are for illustrative pur-
poses only and form no part of the claimed design. The
illustrated article is not limited to the scale shown.

1 Claim, 4 Drawing Sheets



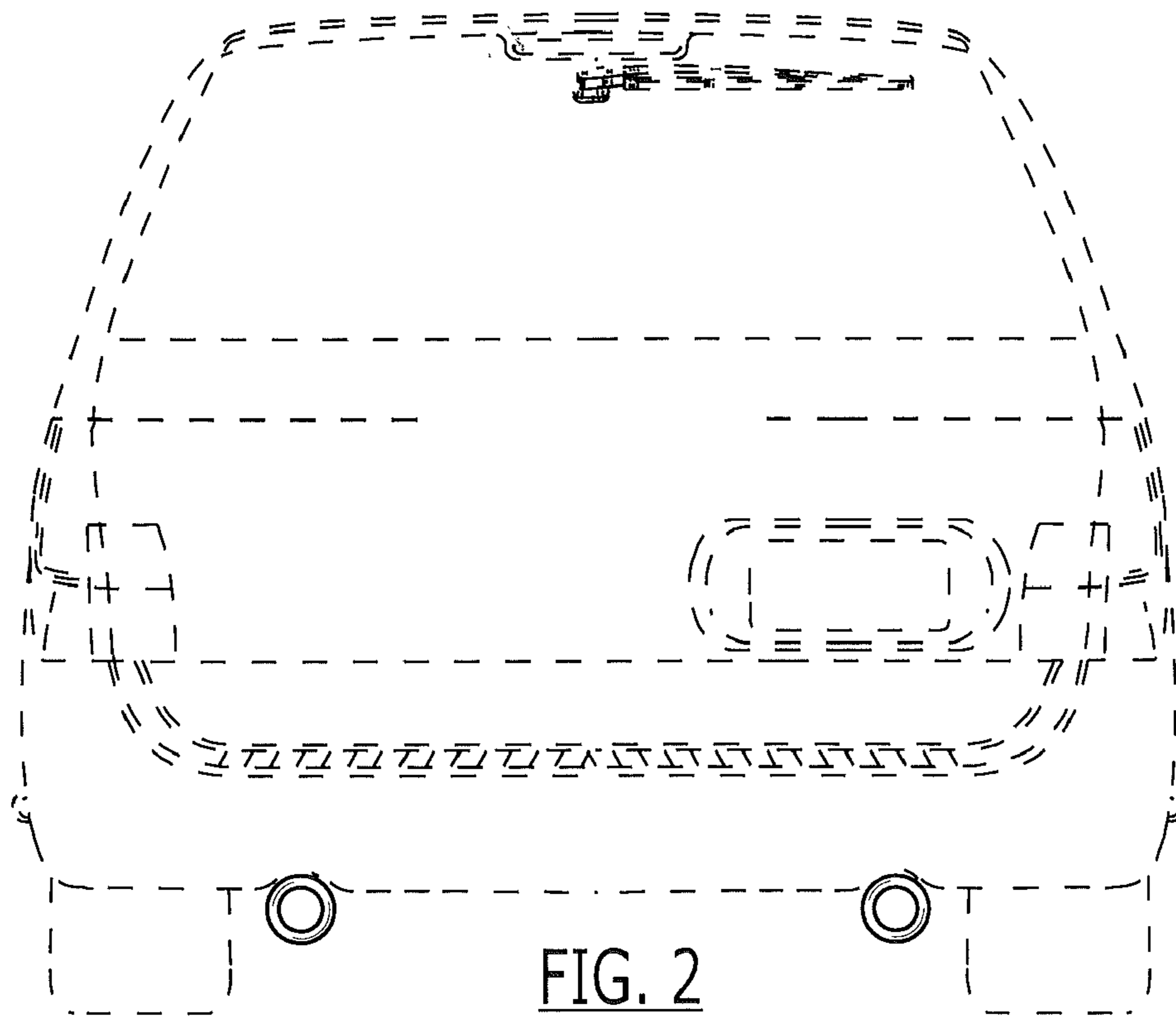
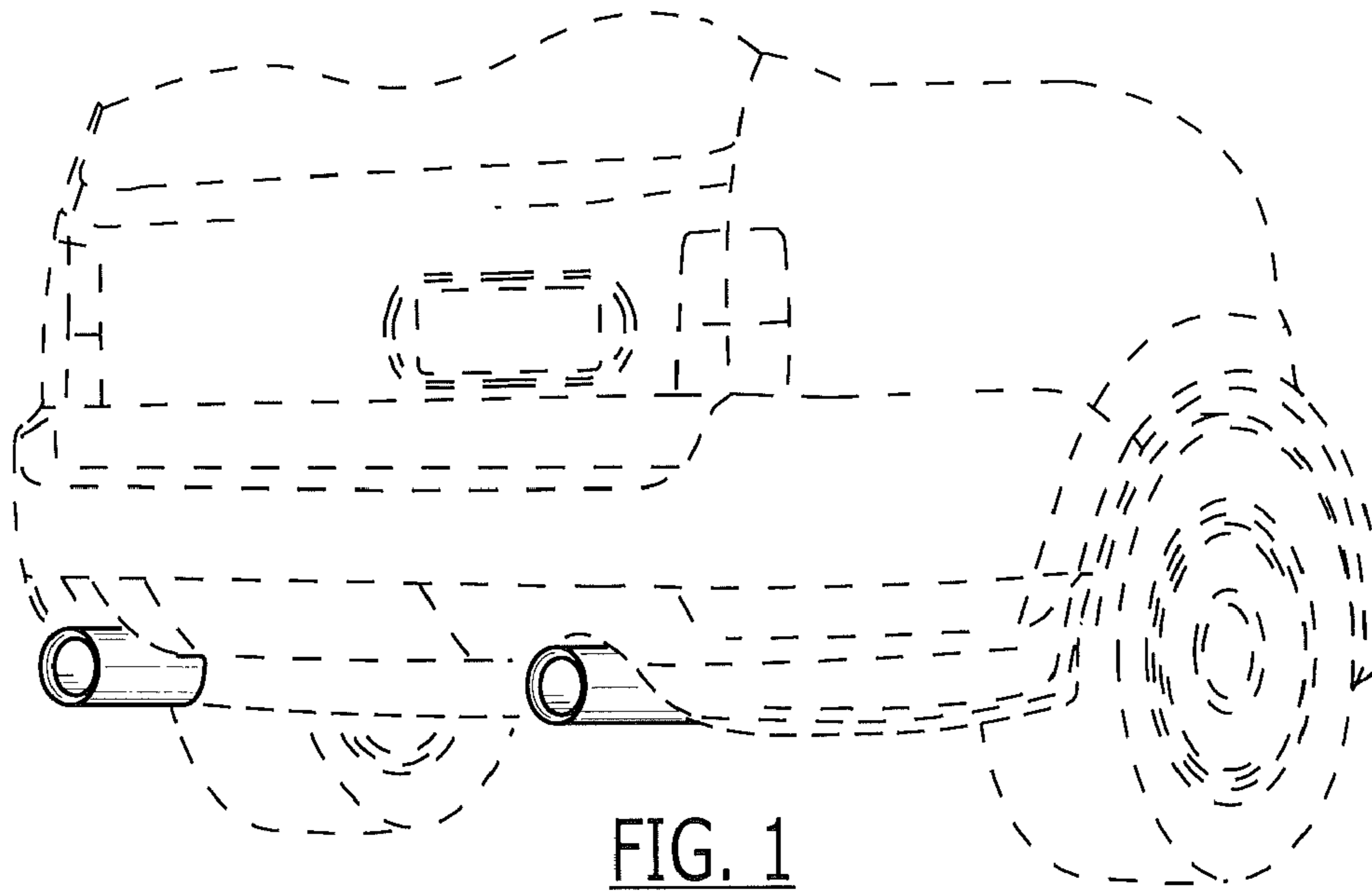
US D633,021 S

Page 2

U.S. PATENT DOCUMENTS

6,196,351	B1 *	3/2001	Clokey et al.	181/252	D553,062	S *	10/2007	Murkett	D12/194
D467,209	S *	12/2002	Burns	D12/194	D558,111	S *	12/2007	Banks, III	D12/194
D488,114	S *	4/2004	Kulla	D12/194	D559,753	S *	1/2008	Pfeiffer	D12/194
D488,755	S *	4/2004	Kulla	D12/194	D573,521	S *	7/2008	Hsu	D12/194
7,007,720	B1 *	3/2006	Chase et al.	138/110	D578,050	S *	10/2008	Hsu	D12/194
D534,469	S *	1/2007	Murkett	D12/194	D579,392	S *	10/2008	Saracoglu	D12/194
D534,848	S *	1/2007	Murkett	D12/194	2004/0050618	A1 *	3/2004	Marocco	181/248
D539,715	S *	4/2007	Lai	D12/194	2005/0161283	A1 *	7/2005	Emler	181/249
D540,231	S *	4/2007	Braun et al.	D12/194	2009/0127025	A1 *	5/2009	Rimback	181/282
7,243,757	B2 *	7/2007	Stuber	181/270					

* cited by examiner



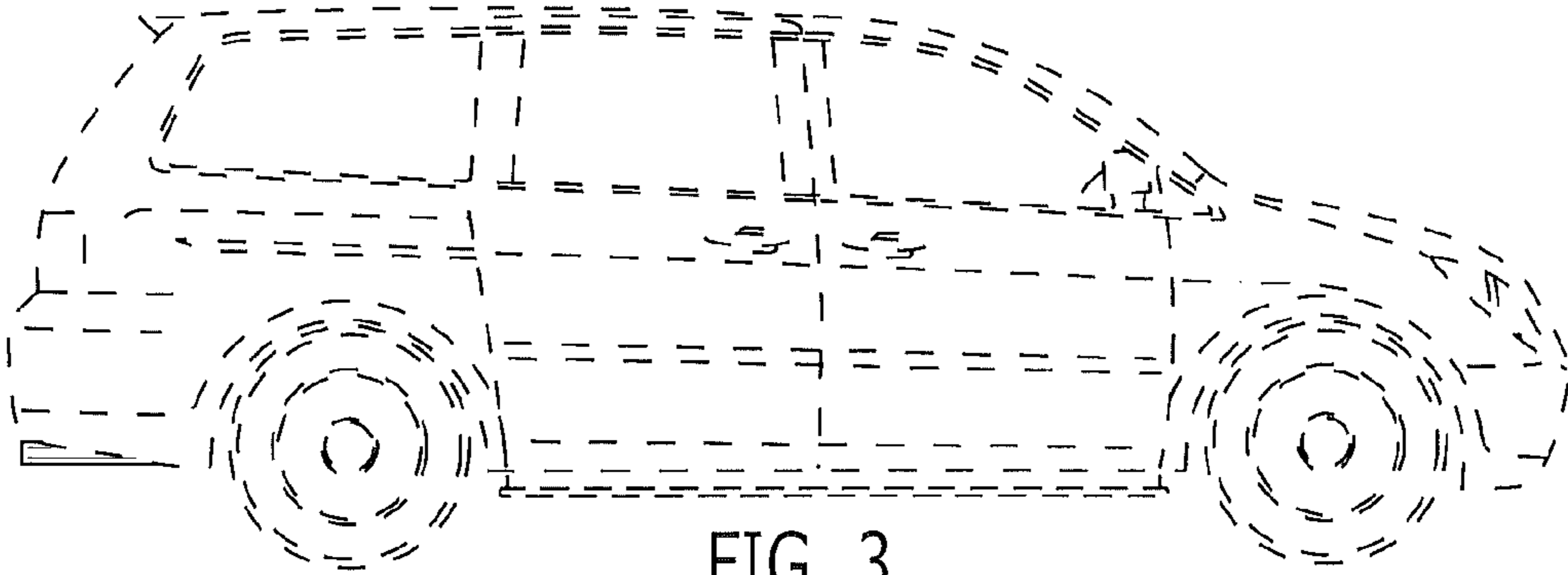


FIG. 3

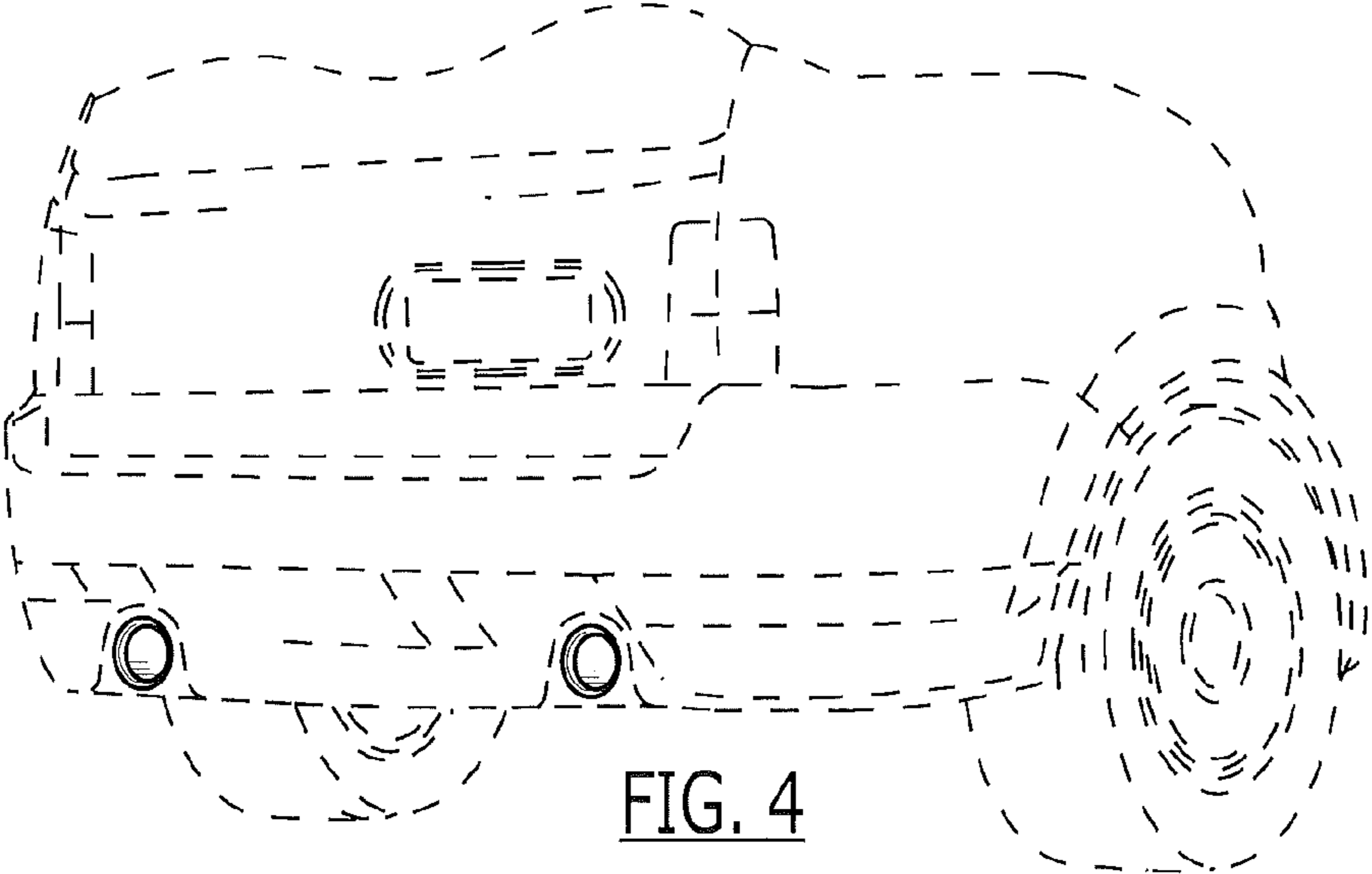


FIG. 4

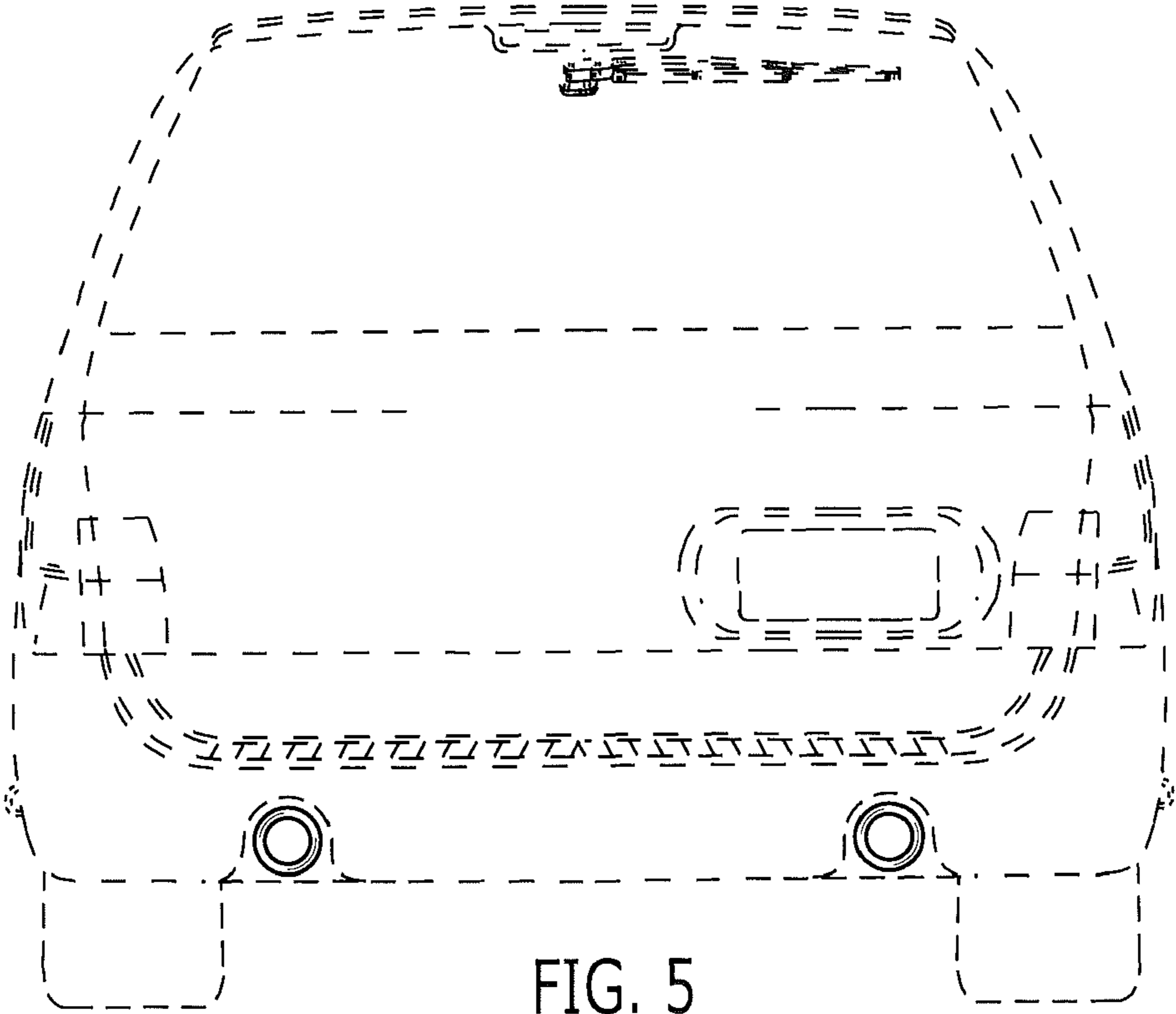


FIG. 5

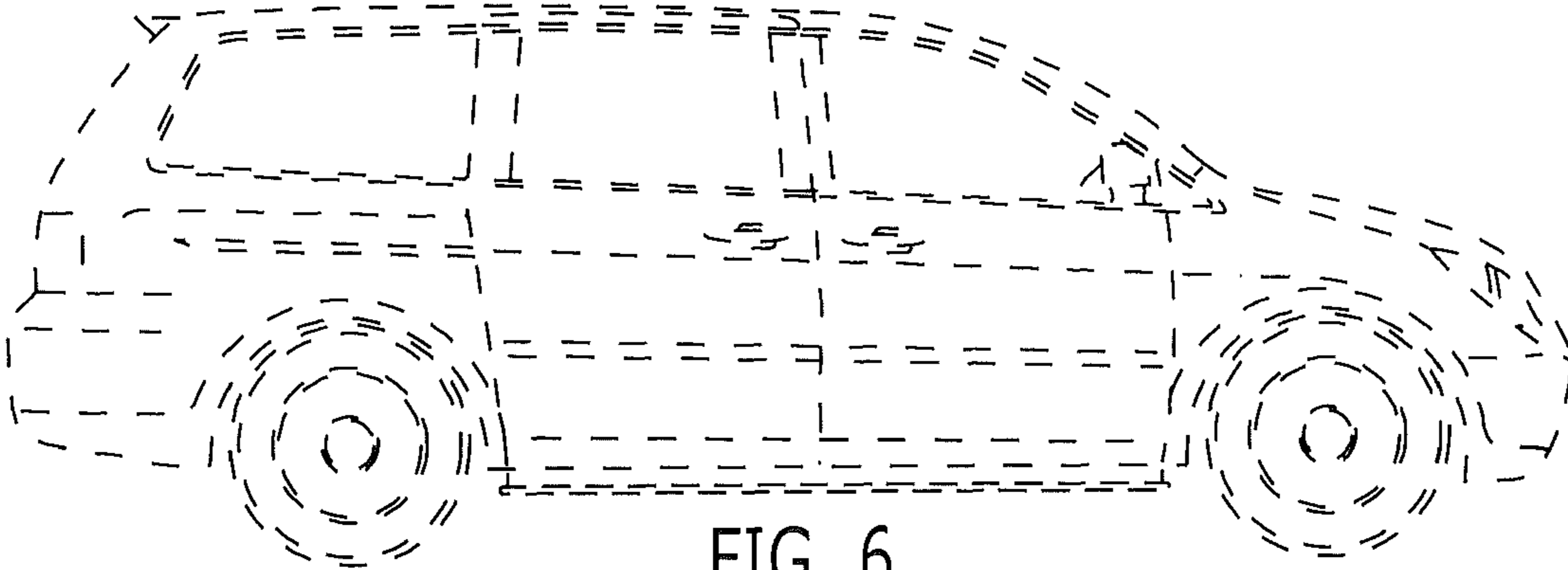


FIG. 6

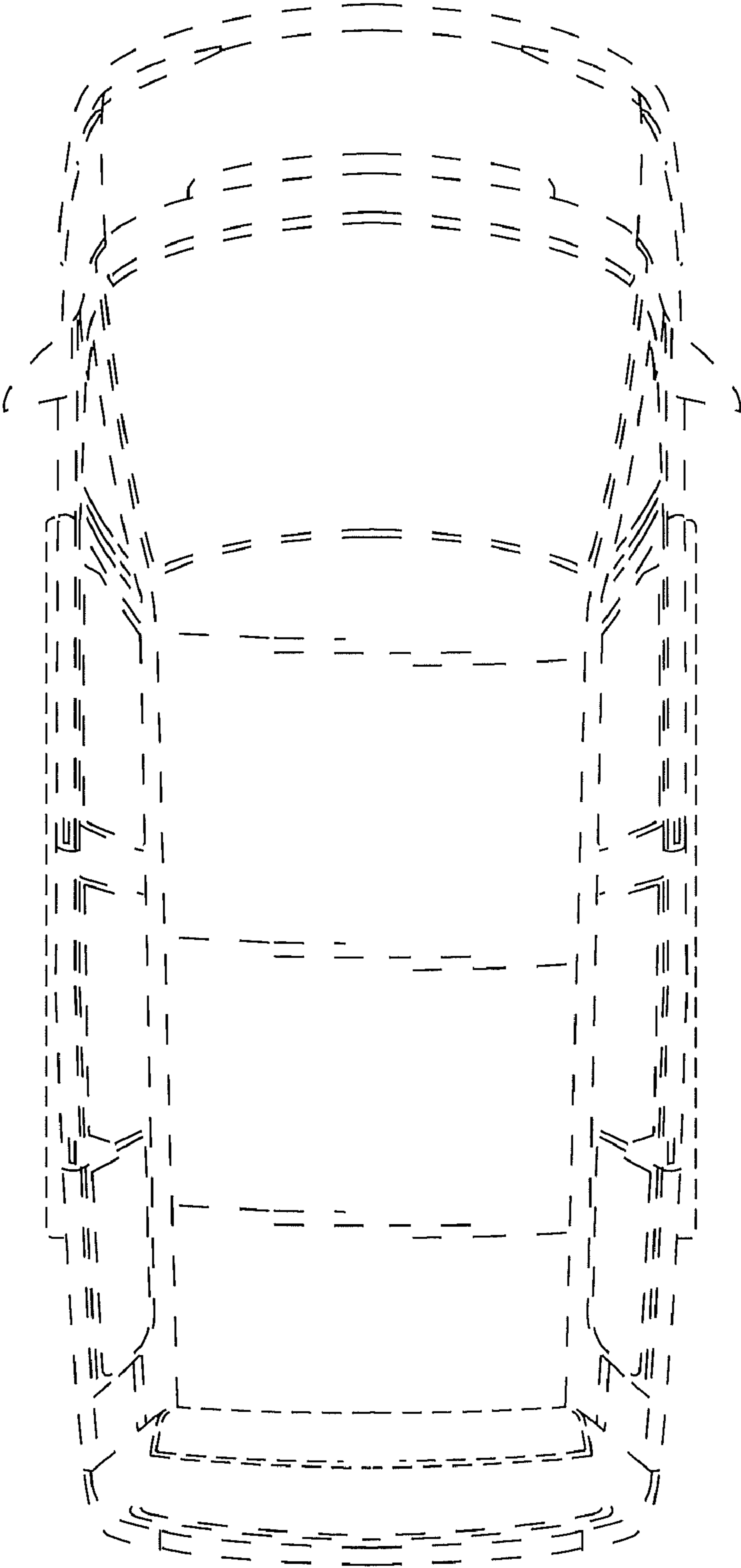


FIG. 7