



US00D633019S

(12) **United States Design Patent**
De Wind

(10) **Patent No.:** **US D633,019 S**

(45) **Date of Patent:** **** Feb. 22, 2011**

(54) **VEHICULAR PRISMATIC MIRROR ASSEMBLY**

2010/0290141 A1* 11/2010 Huang 359/844

* cited by examiner

(75) Inventor: **Darryl P. De Wind**, West Olive, MI (US)

Primary Examiner—Caron Veynar

Assistant Examiner—Katrina A Kile

(74) *Attorney, Agent, or Firm*—Van Dyke, Gardner, Linn & Burkhart, LLP

(73) Assignee: **Magna Mirrors of America, Inc.**, Holland, MI (US)

(57) **CLAIM**

(**) Term: **14 Years**

The ornamental design for the vehicular prismatic mirror assembly, as shown and described.

(21) Appl. No.: **29/375,887**

DESCRIPTION

(22) Filed: **Sep. 29, 2010**

FIG. 1 is a front perspective view of a vehicular prismatic mirror assembly in accordance with the present invention;

(51) **LOC (9) Cl.** **12-16**

FIG. 2 is a rear perspective view of the vehicular prismatic mirror assembly of FIG. 1;

(52) **U.S. Cl.** **D12/187**

(58) **Field of Classification Search** D12/187, D12/188, 189, 401; D6/300; 359/841, 838, 359/842–844, 868, 871, 604, 881, 514, 866; 248/479–483, 475.1

FIG. 3 is a front elevation of the vehicular prismatic mirror assembly of FIG. 1;

FIG. 4 is a rear elevation of the vehicular prismatic mirror assembly of FIG. 1;

See application file for complete search history.

FIG. 5 is a side elevation of the vehicular prismatic mirror assembly of FIG. 1;

(56) **References Cited**

U.S. PATENT DOCUMENTS

7,821,697	B2 *	10/2010	Varaprasad et al.	359/267
2002/0097494	A1 *	7/2002	Waldmann	359/603
2008/0266389	A1 *	10/2008	DeWind et al.	348/115
2009/0091489	A1 *	4/2009	Banko et al.	342/20
2009/0207514	A1 *	8/2009	McCabe et al.	359/871
2009/0213480	A1 *	8/2009	Li	359/844
2009/0237821	A1 *	9/2009	Li	359/844
2009/0244740	A1 *	10/2009	Takayanagi et al.	359/839
2010/0085645	A1 *	4/2010	Skiver et al.	359/604
2010/0091394	A1 *	4/2010	DeWind et al.	359/838

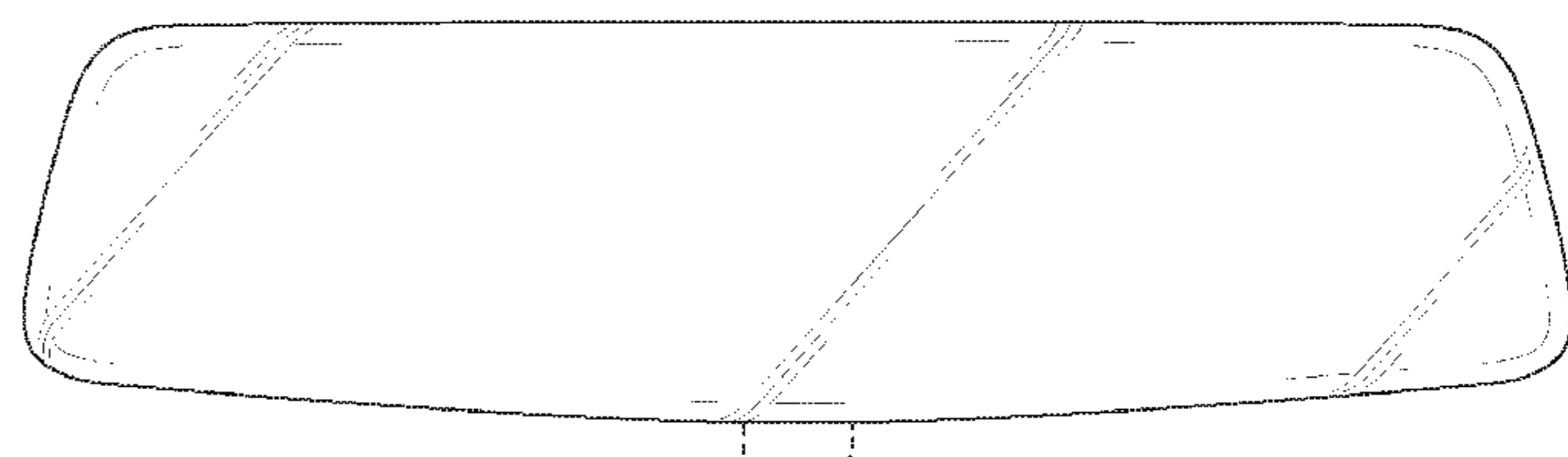
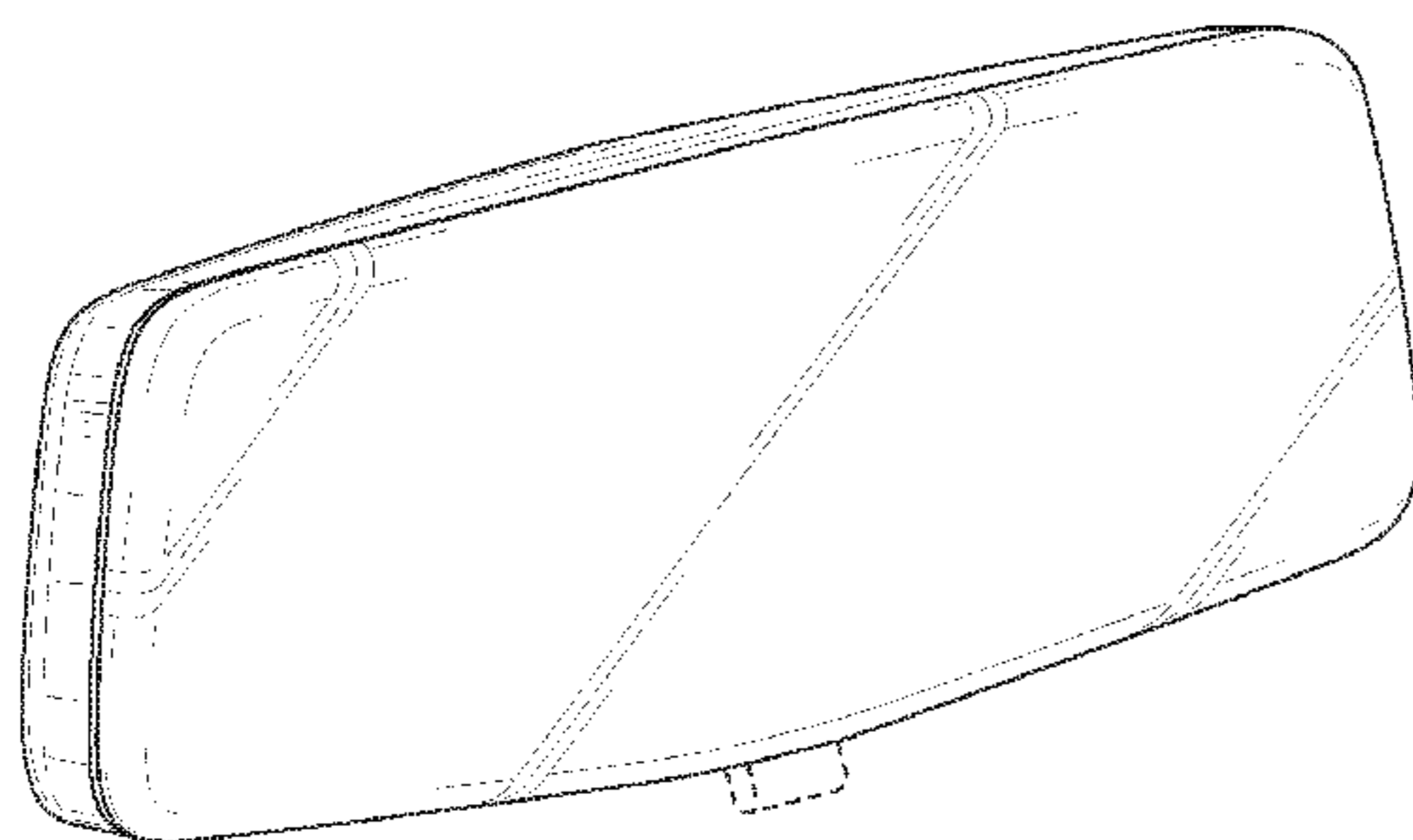
FIG. 6 is an opposite side elevation of the vehicular prismatic mirror assembly of FIG. 1;

FIG. 7 is a top plan view of the vehicular prismatic mirror assembly of FIG. 1; and,

FIG. 8 is a bottom plan view of the vehicular prismatic mirror assembly of FIG. 1.

The broken lined in the drawings are for illustrative purposes only and form no part of the claimed design.

1 Claim, 5 Drawing Sheets



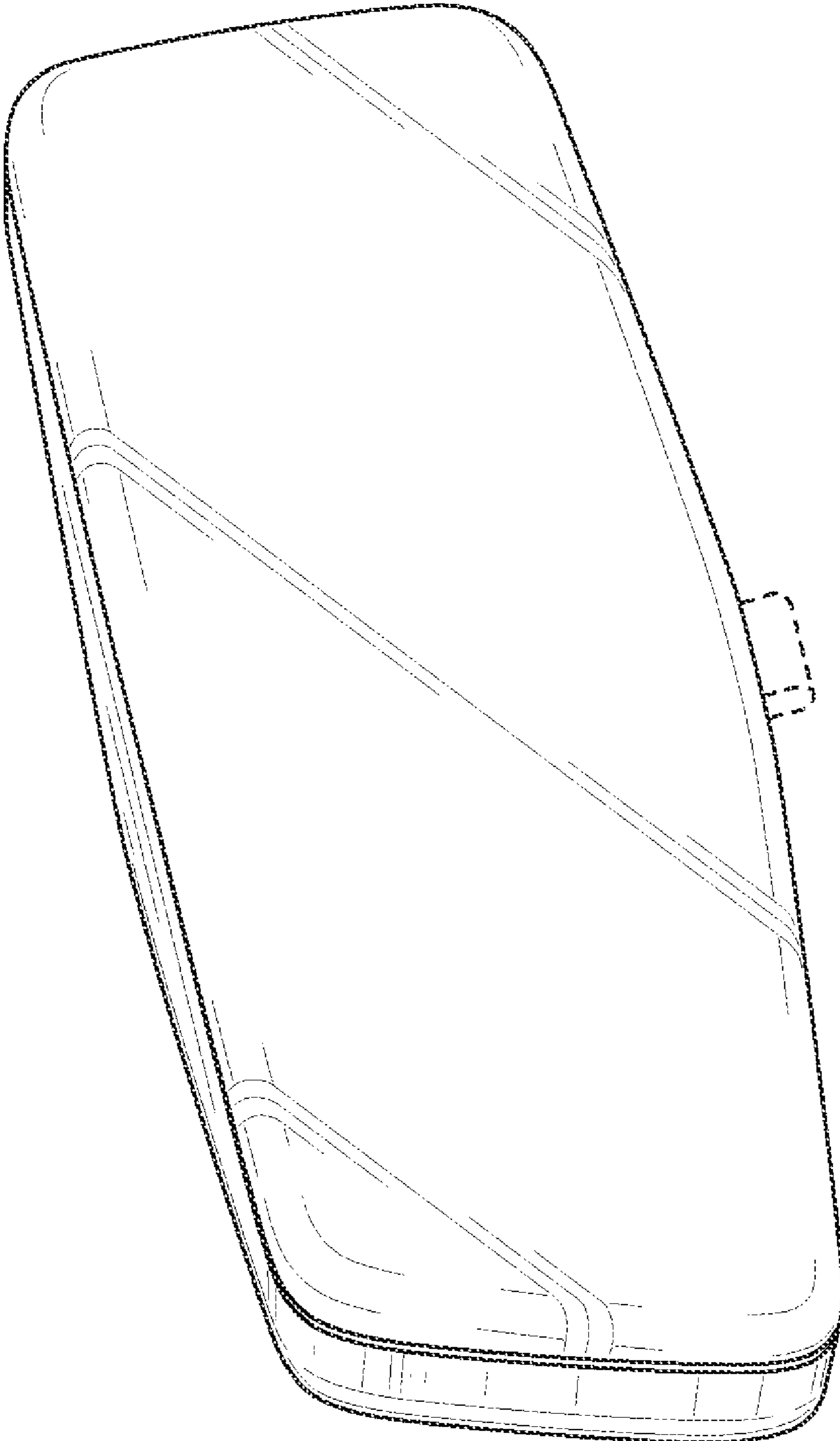


FIG. 1

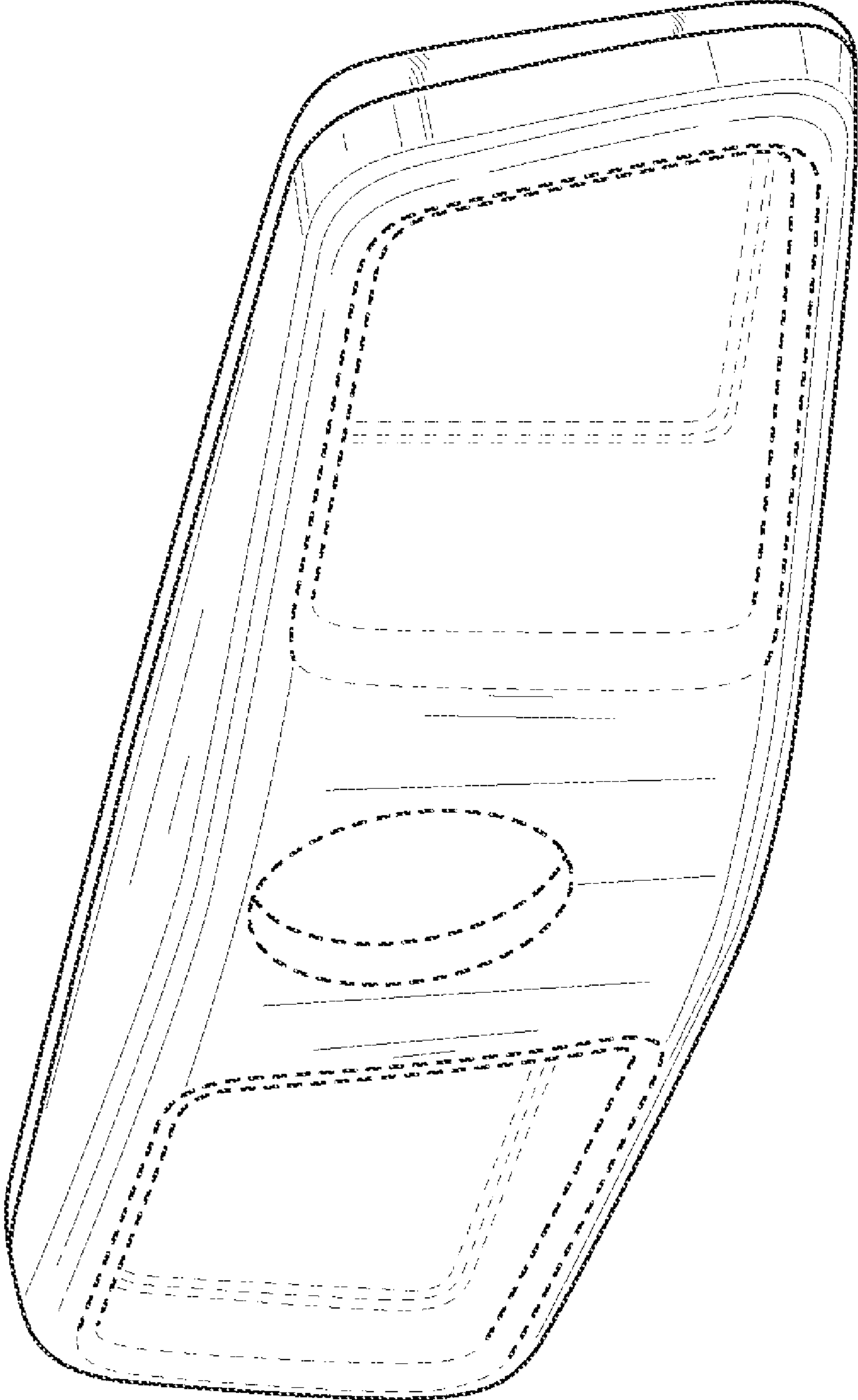


FIG. 2

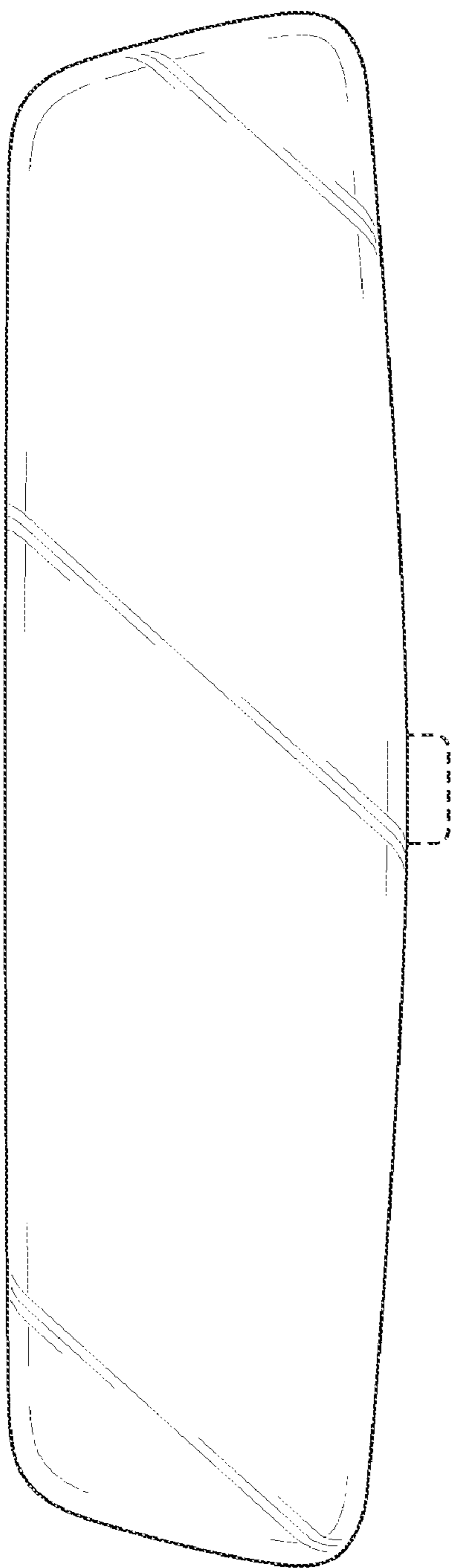


FIG. 3

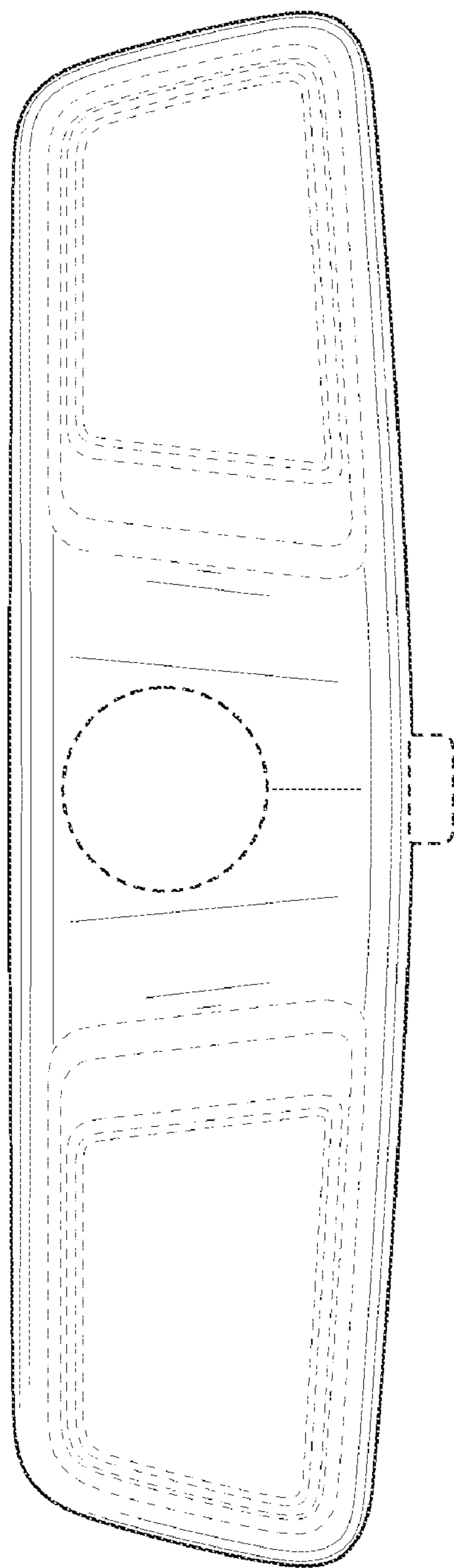


FIG. 4

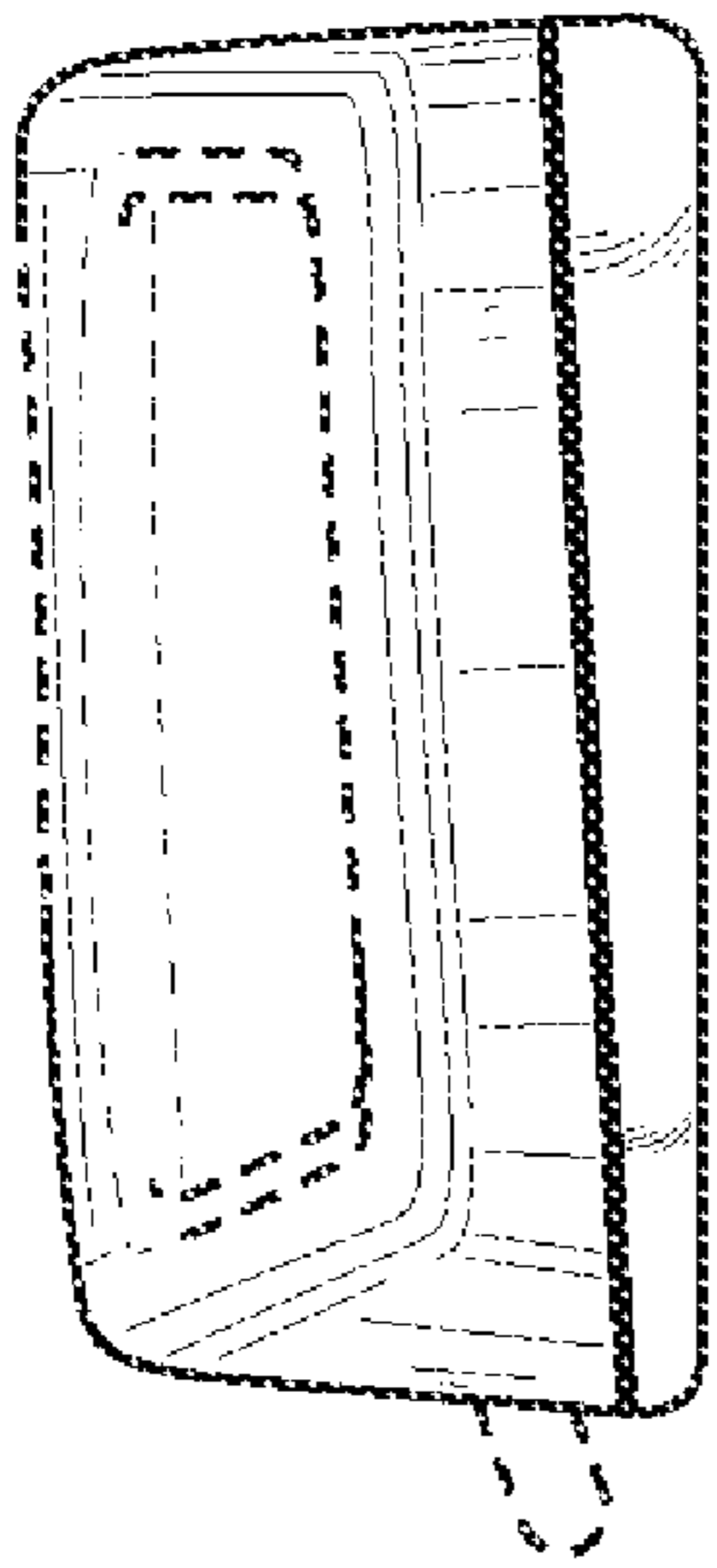


FIG. 5

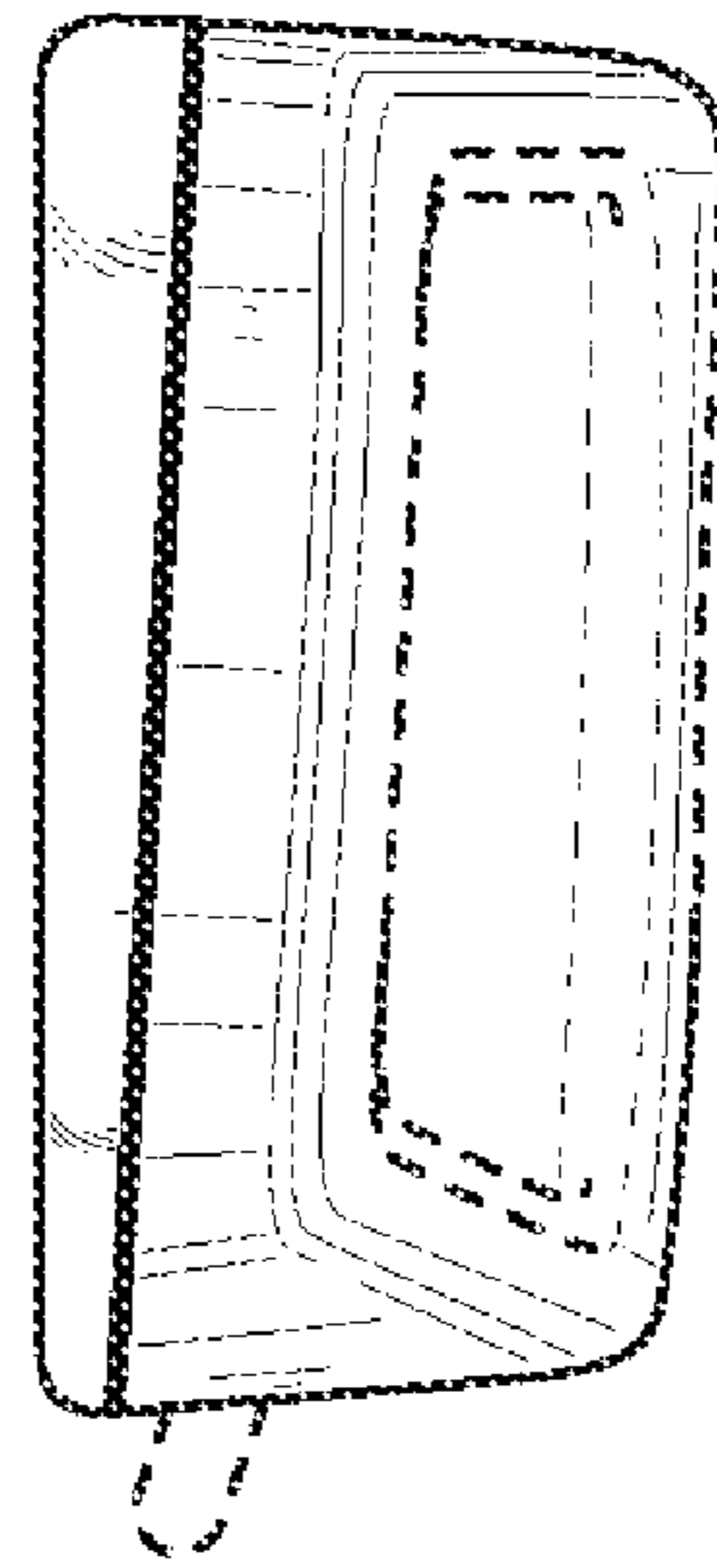


FIG. 6

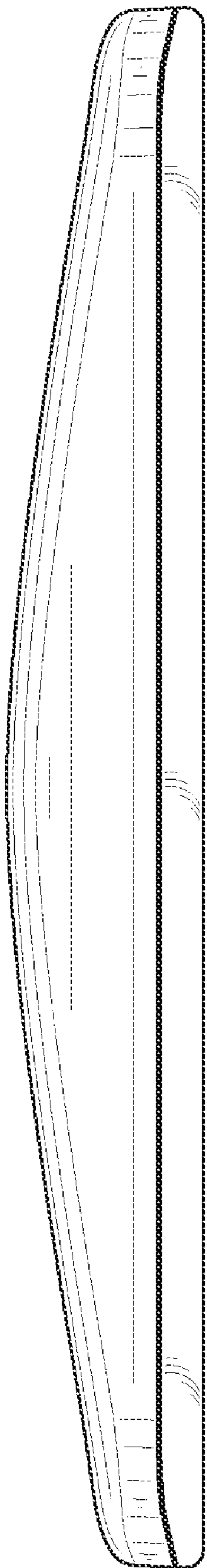


FIG. 7

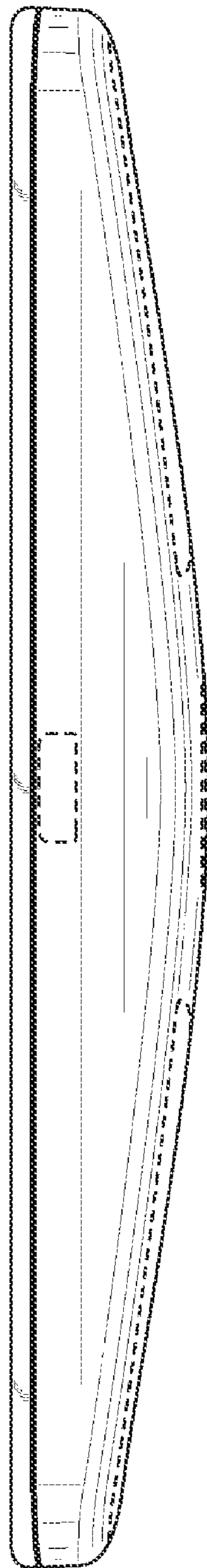


FIG. 8

UNITED STATES PATENT AND TRADEMARK OFFICE
CERTIFICATE OF CORRECTION

PATENT NO. : D633,019 S
APPLICATION NO. : 29/375887
DATED : February 22, 2011
INVENTOR(S) : Darryl P. De Wind

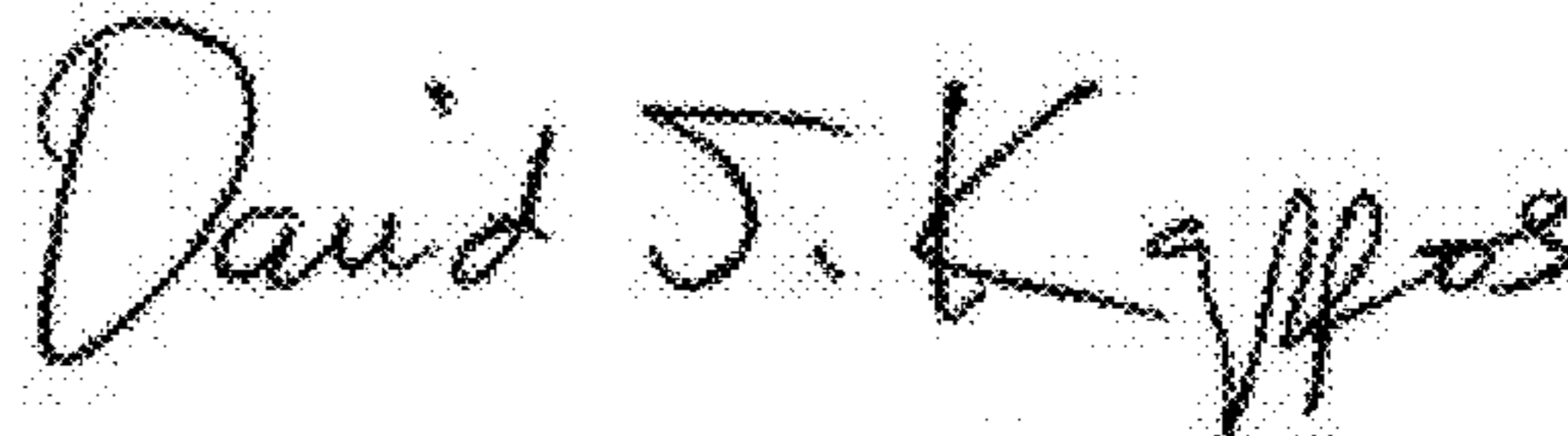
Page 1 of 1

It is certified that error appears in the above-identified patent and that said Letters Patent is hereby corrected as shown below:

In The Description:

Line 17, "lined" should be --lines--

Signed and Sealed this
Nineteenth Day of April, 2011

A handwritten signature in black ink that reads "David J. Kappos". The signature is written in a cursive style with a large, stylized 'D' and 'K'.

David J. Kappos
Director of the United States Patent and Trademark Office