



US00D633010S

(12) **United States Design Patent**  
**Hixson et al.**

(10) **Patent No.:** **US D633,010 S**  
(45) **Date of Patent:** **\*\* Feb. 22, 2011**

(54) **MOBILE VENDING TRAILER**

D556,091 S \* 11/2007 Racich ..... D12/102  
D558,825 S 1/2008 Masters  
7,364,050 B2 4/2008 Guard

(76) Inventors: **Mark M. Hixson**, 7812 Hixson Pike,  
Hixson, TN (US) 37343; **Robert Paul  
Creswell**, 900 Appling St., Chattanooga,  
TN (US) 37406

(\*\*) Term: **14 Years**

(Continued)

(21) Appl. No.: **29/378,495**

*Primary Examiner*—Caron Veynar  
*Assistant Examiner*—Katrina A Kile

(22) Filed: **Nov. 4, 2010**

(74) *Attorney, Agent, or Firm*—Crose Law LLC; Bradley D.  
Crose

**Related U.S. Application Data**

(62) Division of application No. 12/939,133, filed on Nov.  
3, 2010.

(57) **CLAIM**

The ornamental design for a mobile vending trailer, as shown  
and described.

(51) **LOC (9) Cl.** ..... **12-10**

(52) **U.S. Cl.** ..... **D12/102**

(58) **Field of Classification Search** ..... D12/19,  
D12/129, 101–106; D21/425, 435; D34/21–26,  
D34/12, 16; 280/204, 205, 63, 475, 482,  
280/647; 296/168, 180, 180.2, 10, 61, 100.01–100.08  
See application file for complete search history.

**DESCRIPTION**

FIG. 1 is a first perspective view of a mobile vending trailer,  
illustrating the new, original, and ornamental design;

FIG. 2 is a second perspective view of a mobile vending  
trailer, illustrating the new, original, and ornamental design;

FIG. 3 is a first side view of a mobile vending trailer, illus-  
trating the new, original, and ornamental design;

FIG. 4 is a second side view of a mobile vending trailer,  
illustrating the new, original, and ornamental design;

FIG. 5 is a top view of a mobile vending trailer, illustrating the  
new, original, and ornamental design;

FIG. 6 is a bottom view of a mobile vending trailer, illustrat-  
ing the new, original, and ornamental design;

FIG. 7 is a first end view of a mobile vending trailer, illustrat-  
ing the new, original, and ornamental design; and,

FIG. 8 is a second end view of a mobile vending trailer,  
illustrating the new, original, and ornamental design.

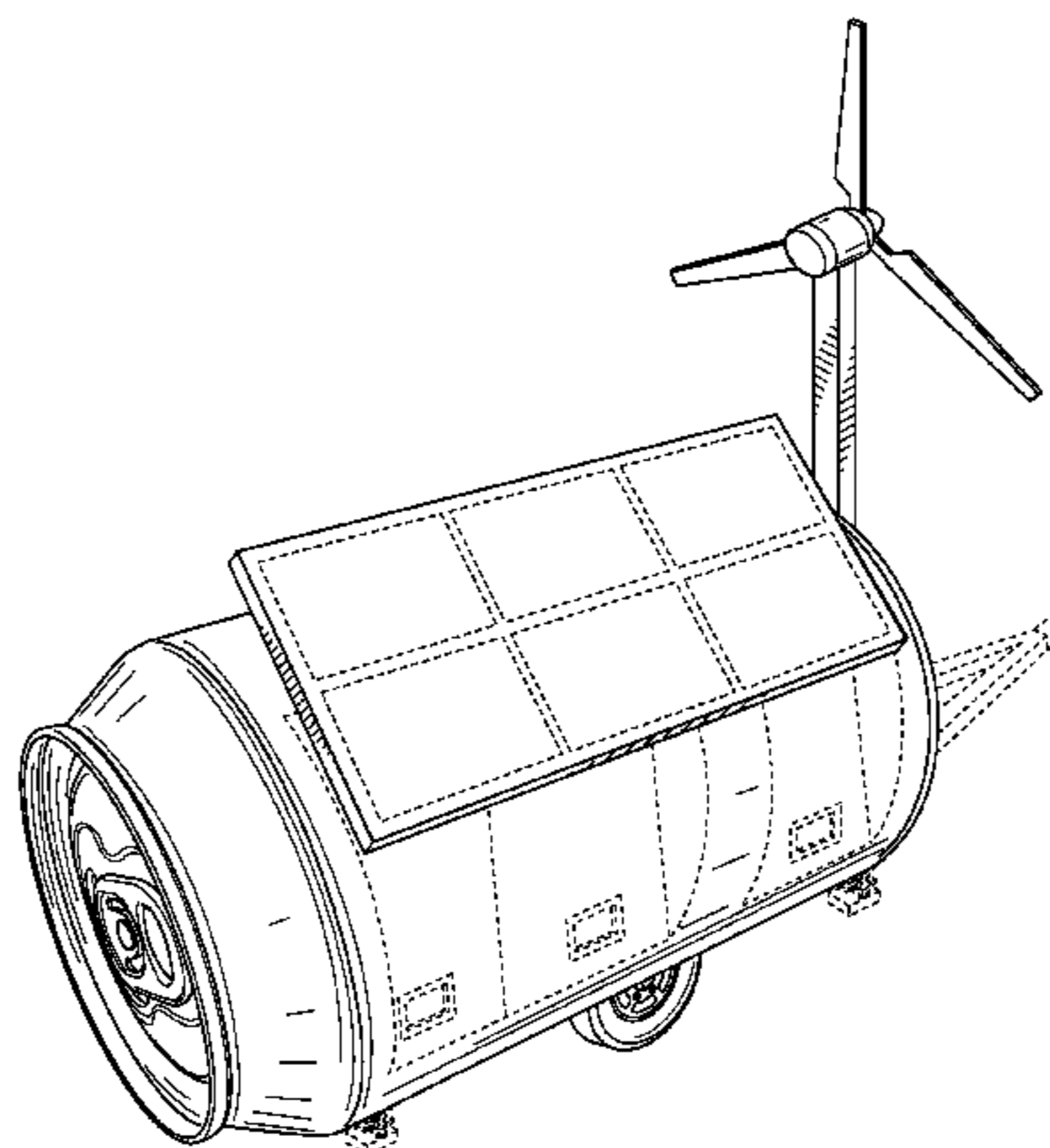
In the drawings, the broken lines depict portions of the design  
that form no part of the claim.

(56) **References Cited**

**U.S. PATENT DOCUMENTS**

D184,152 S *	12/1958	Michael A. Hlovan	.....	D12/83
D197,223 S *	12/1963	Moe	.....	D12/83
D240,494 S *	7/1976	Beasley	.....	D7/347
D261,431 S	10/1981	Barton		
D266,833 S *	11/1982	Wharton	.....	D12/83
D284,954 S *	8/1986	Lamb	.....	D12/83
D309,124 S *	7/1990	Young	.....	D12/102
D320,233 S	9/1991	Golley et al.		
D340,681 S	10/1993	Alpiser et al.		
5,542,203 A	8/1996	Luoma et al.		
5,595,414 A *	1/1997	Dulnig et al.	.....	296/26.02
5,969,501 A	10/1999	Glidden et al.		
6,263,674 B1	7/2001	Fileman et al.		
6,345,852 B1	2/2002	McCarthy		
6,423,894 B1	7/2002	Patz et al.		
D464,290 S *	10/2002	Spaulding	.....	D12/102
6,604,087 B1	8/2003	Kolls		
D544,815 S *	6/2007	Williams	.....	D12/101

**1 Claim, 7 Drawing Sheets**



# US D633,010 S

Page 2

---

U.S. PATENT DOCUMENTS				7,481,444 B1 *	1/2009	Pavlov	.....	280/400	
D580,071 S *	11/2008	Evans et al.	.....	D25/10	D614,533 S *	4/2010	Weible et al.	.....	D12/83
7,448,516 B2	11/2008	Davis et al.			7,795,837 B1	9/2010	Haun et al.		
D584,223 S	1/2009	Cooper			2010/0175736 A1	7/2010	Reichart et al.		

\* cited by examiner

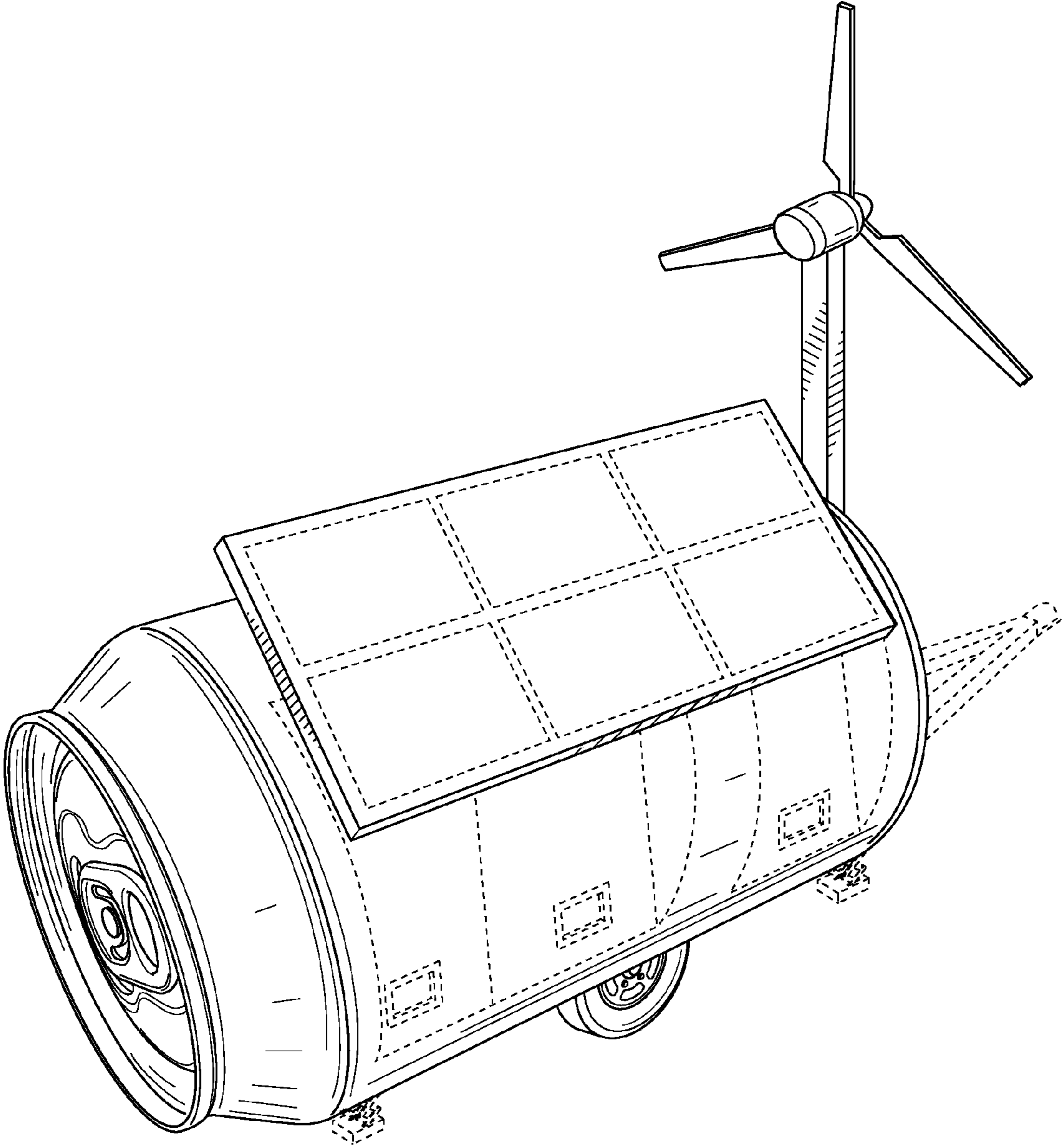


FIG. 1

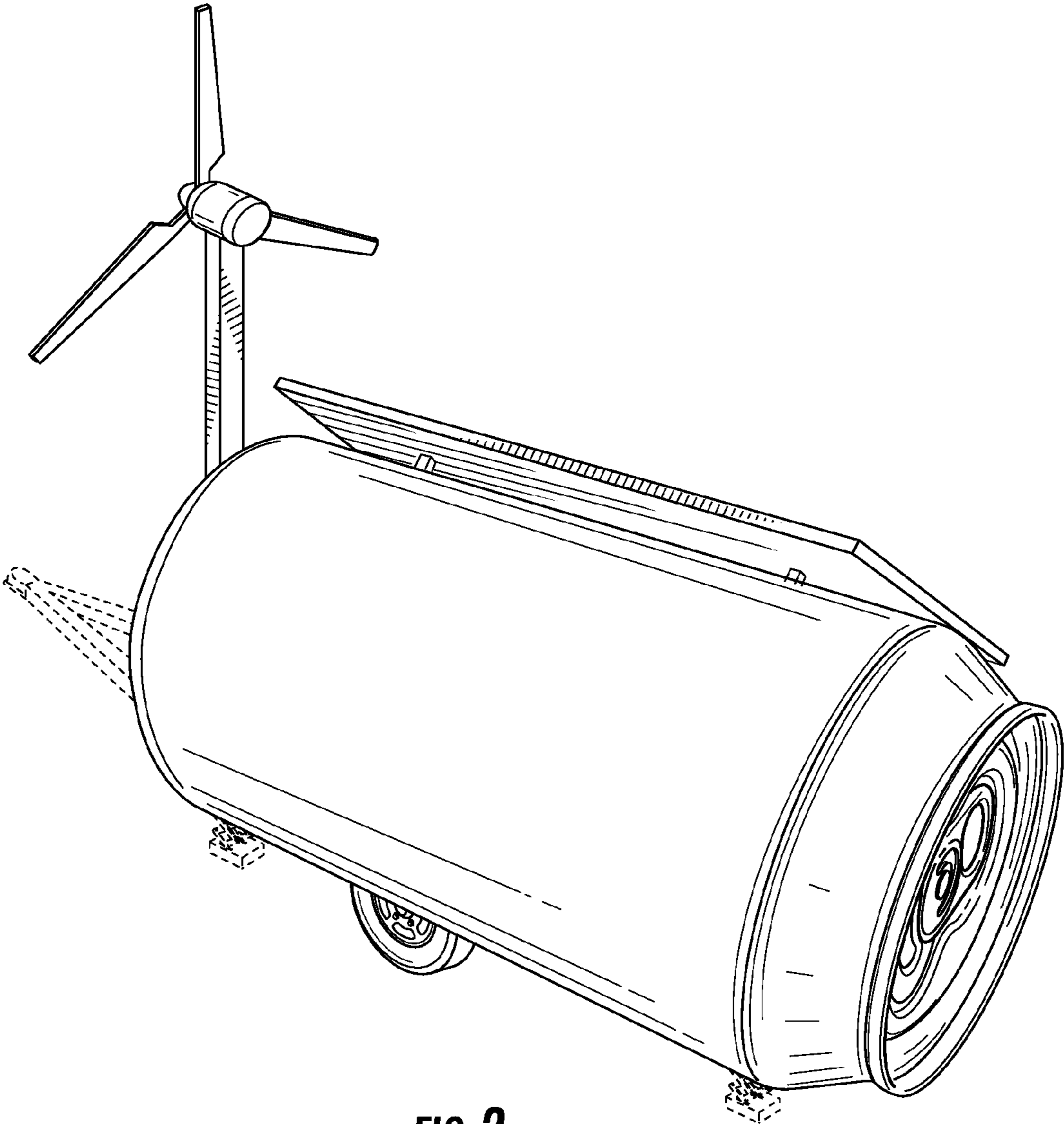


FIG. 2

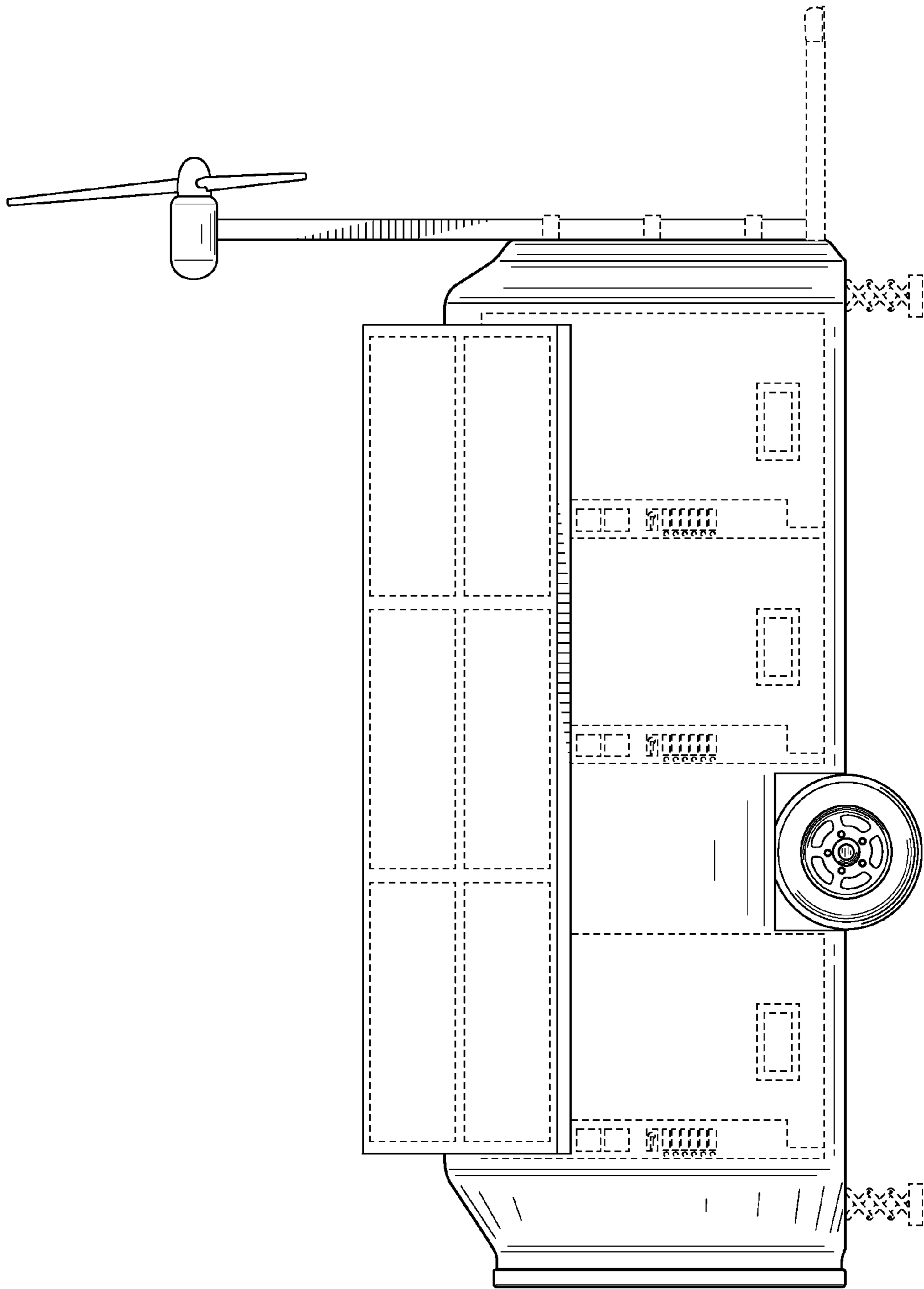


FIG. 3

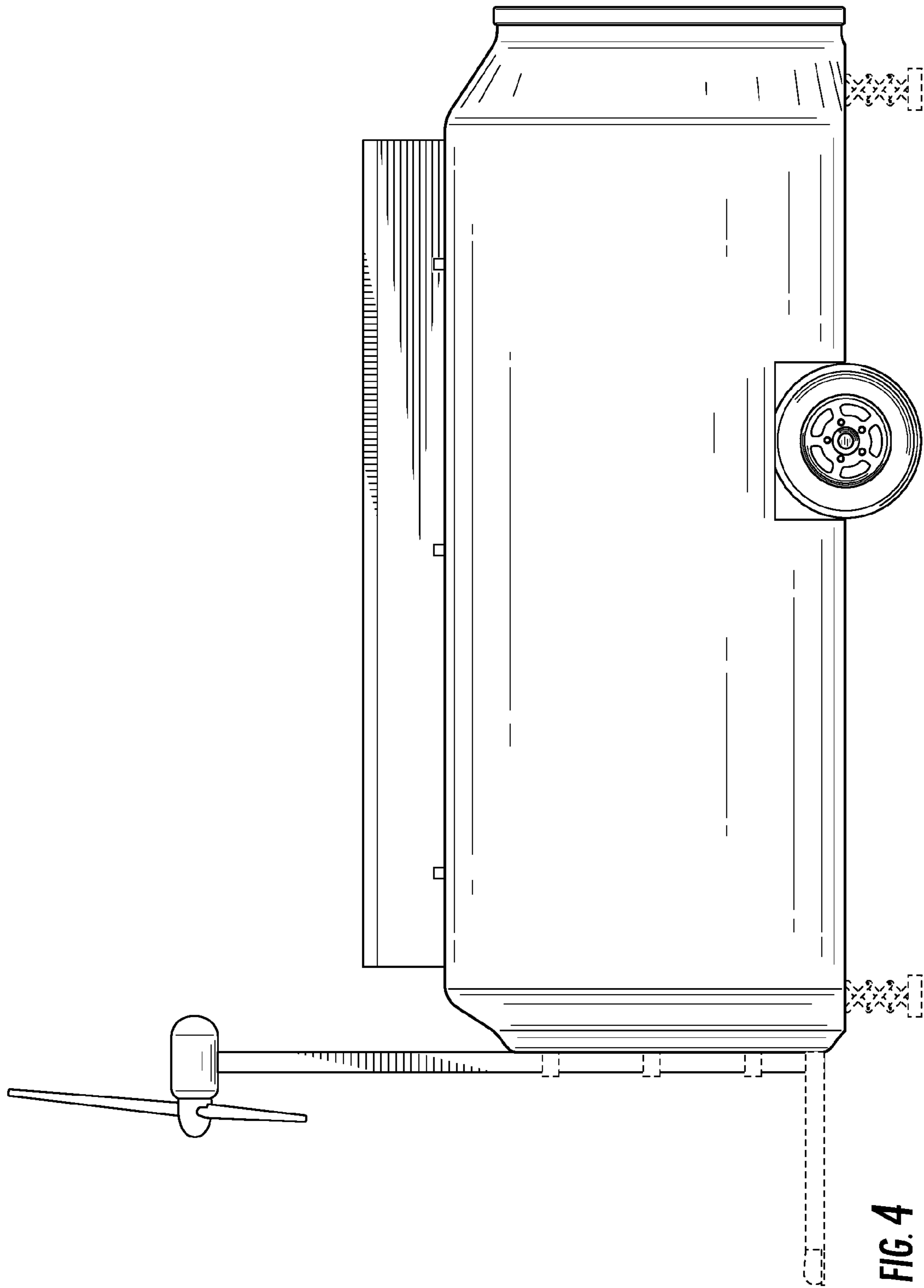


FIG. 4



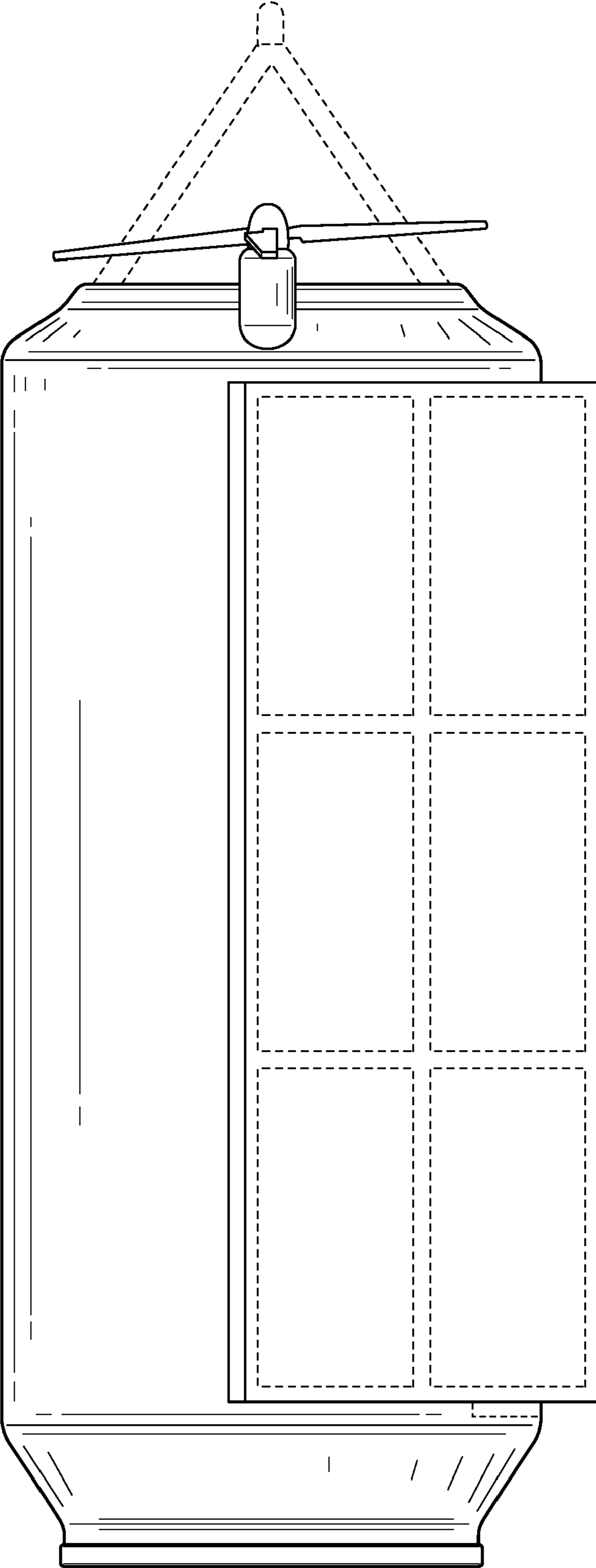


FIG. 5

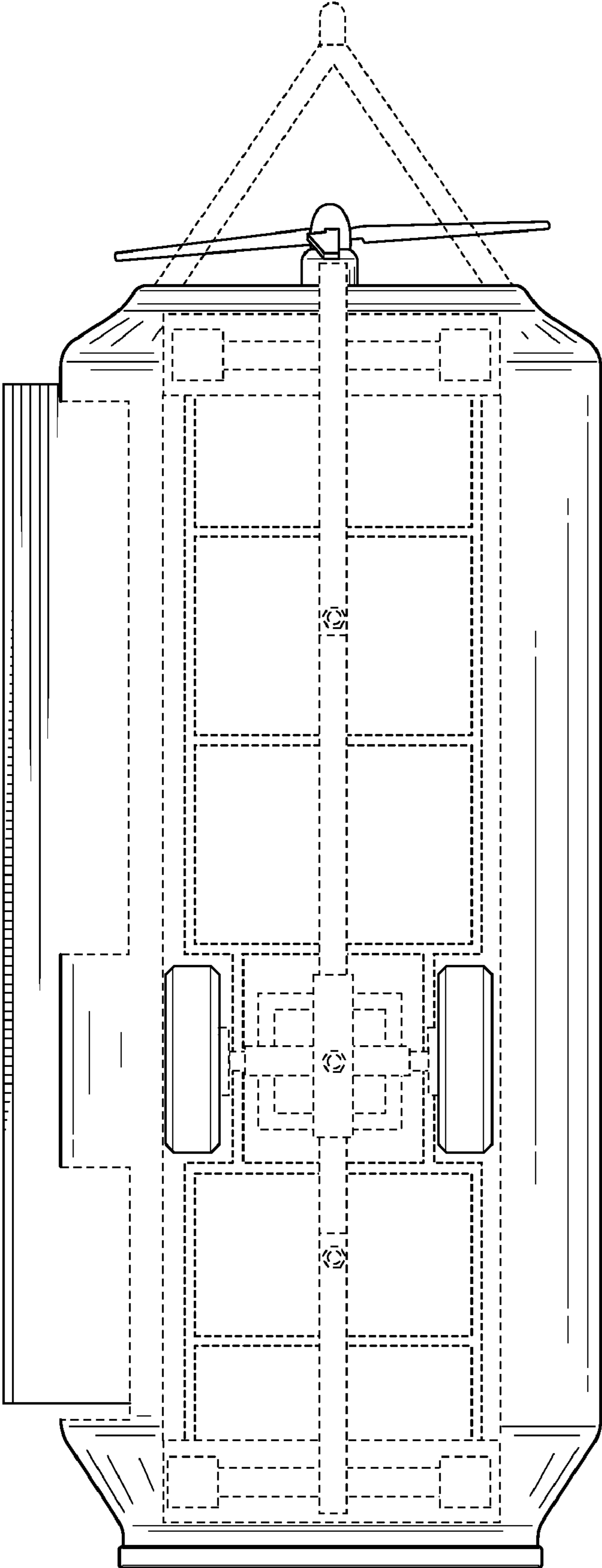
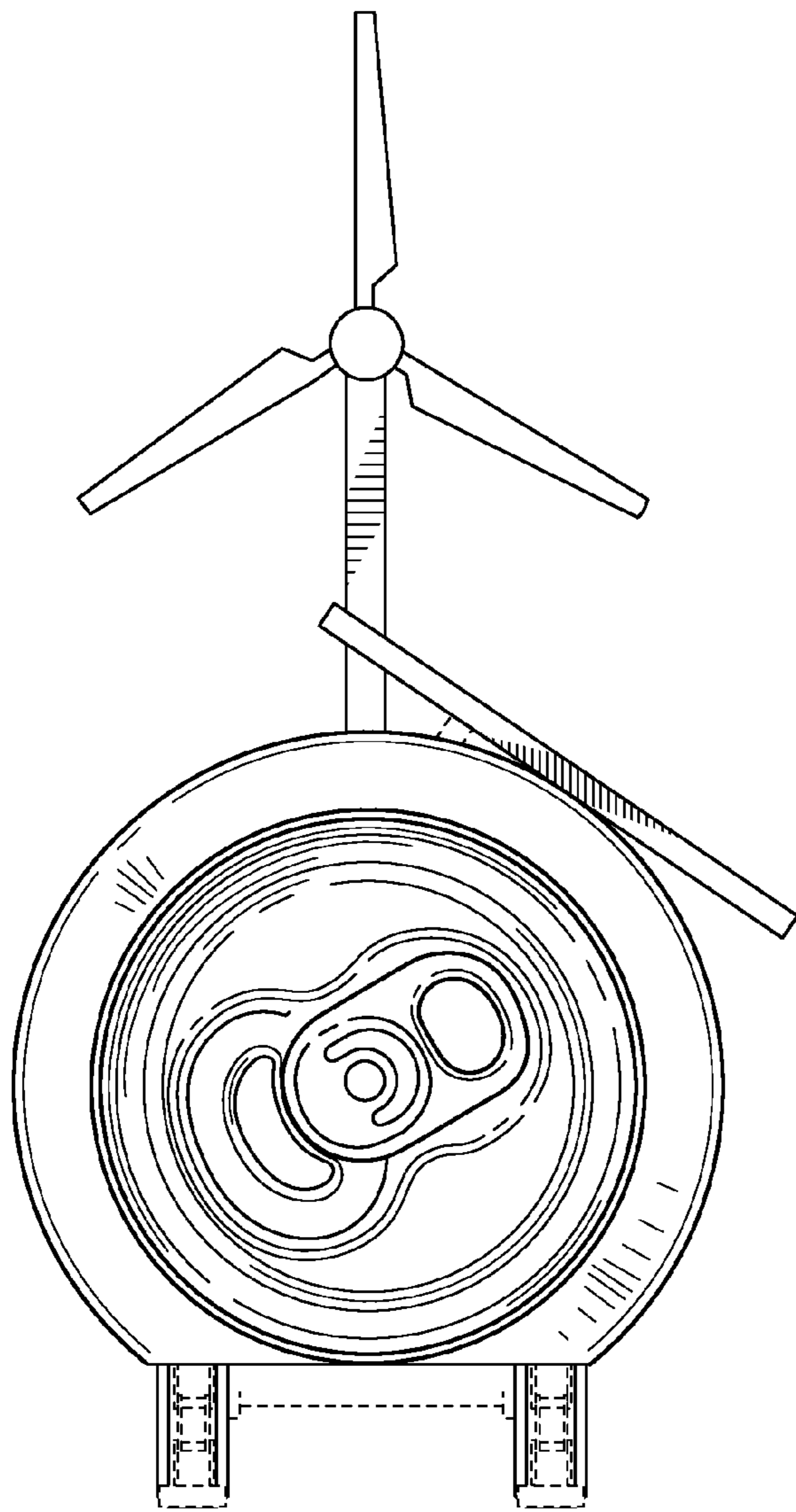
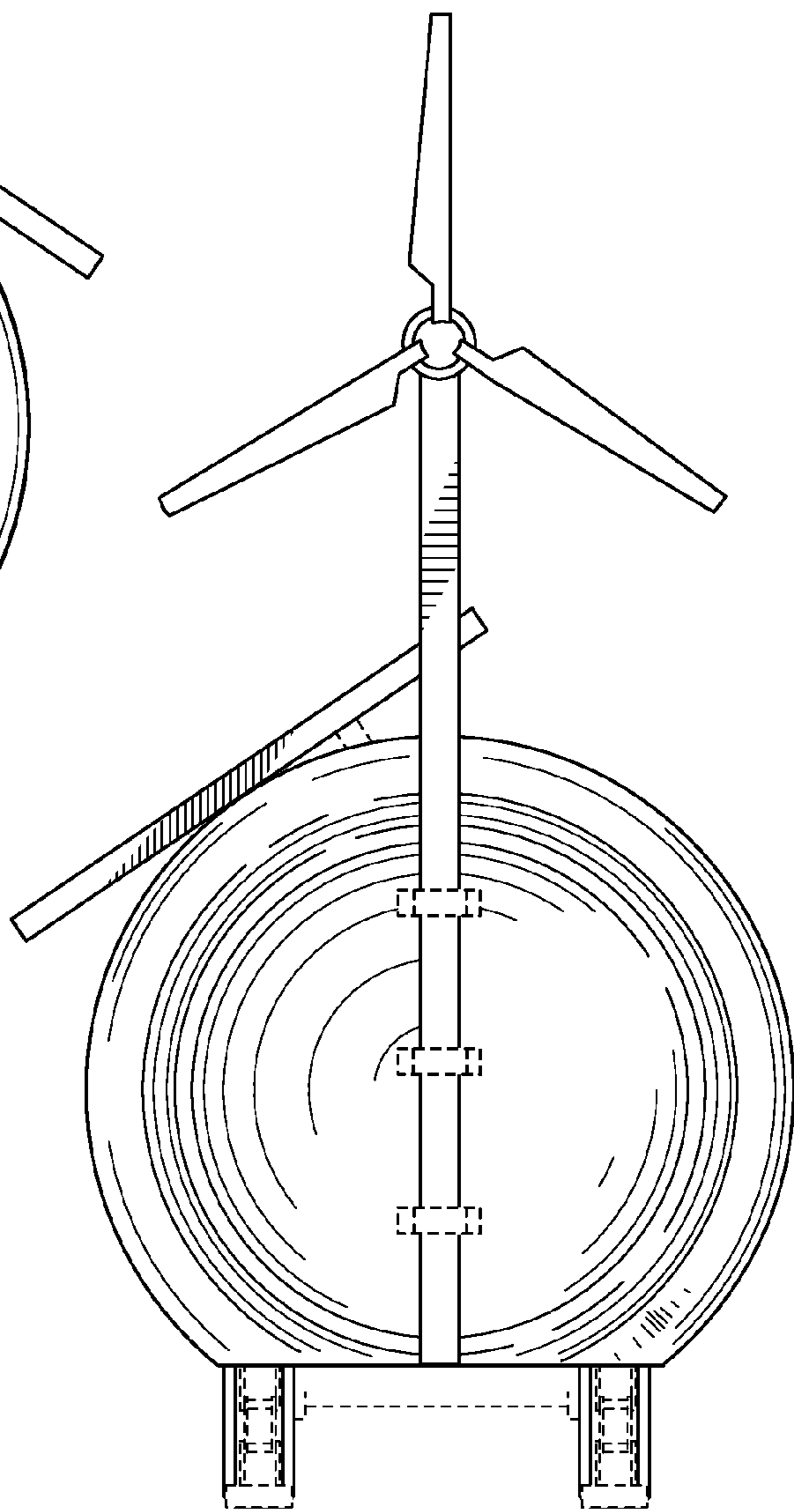


FIG. 6





**FIG. 7**



**FIG. 8**