



US00D633009S

(12) **United States Design Patent**
Matei et al.

(10) **Patent No.:** **US D633,009 S**
(45) **Date of Patent:** **** Feb. 22, 2011**

(54) **VEHICLE EXTERIOR**

(75) Inventors: **Catalin Matei**, Redondo Beach, CA (US); **Toshihide Uchida**, Tokyo (JP); **Calvin Liu**, Huntington Beach, CA (US); **Roger A. Brown**, Corona, CA (US)

(73) Assignee: **Honda Motor Co., Ltd.**, Tokyo (JP)

(**) Term: **14 Years**

(21) Appl. No.: **29/355,682**

(22) Filed: **Feb. 11, 2010**

(51) **LOC (9) Cl.** **12-08**

(52) **U.S. Cl.** **D12/91**

(58) **Field of Classification Search** D12/86,
D12/90-92; D21/424, 433, 434; 296/181.1,
296/181.5

See application file for complete search history.

(56) **References Cited**

U.S. PATENT DOCUMENTS

- D589,402 S * 3/2009 Fujiyoshi et al. D12/91
- D591,202 S * 4/2009 Ohhashi et al. D12/91
- D597,889 S * 8/2009 Fujiyoshi et al. D12/91
- D598,325 S * 8/2009 Kamimura et al. D12/91
- D599,705 S * 9/2009 Konaka et al. D12/91
- D601,454 S * 10/2009 Kamimura et al. D12/91

- D608,695 S * 1/2010 Burki et al. D12/91
- D613,645 S * 4/2010 Song et al. D12/91
- D622,633 S * 8/2010 Nakamura et al. D12/91
- D622,634 S * 8/2010 Yamamoto et al. D12/91

* cited by examiner

Primary Examiner—Melody N Brown

(74) *Attorney, Agent, or Firm*—Plumsea Law Group, LLC; Mark E. Duell

(57) **CLAIM**

The ornamental design for a vehicle exterior, as shown and described.

DESCRIPTION

FIG. 1 is a perspective view of a vehicle exterior showing our new design;

FIG. 2 is a rear perspective view thereof;

FIG. 3 is a side elevational view of one side thereof;

FIG. 4 is a side elevational view of the other side thereof;

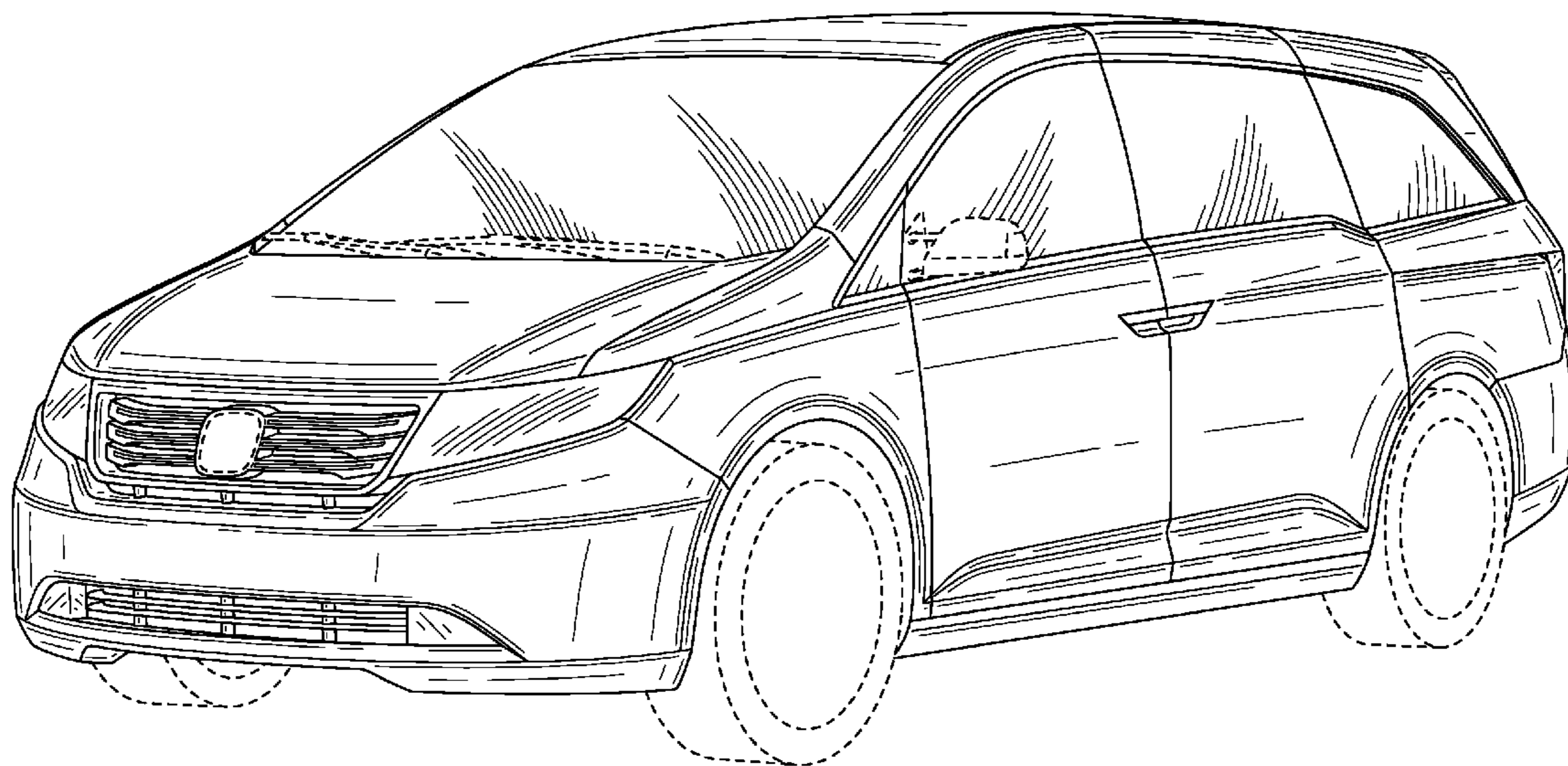
FIG. 5 is a front elevational view thereof;

FIG. 6 is a rear elevational view thereof; and,

FIG. 7 is a top plan view thereof.

The broken line showings of the wheels, tires, rearview mirrors, wipers, geometric shapes on the front and rear form no part of the claimed design.

1 Claim, 6 Drawing Sheets



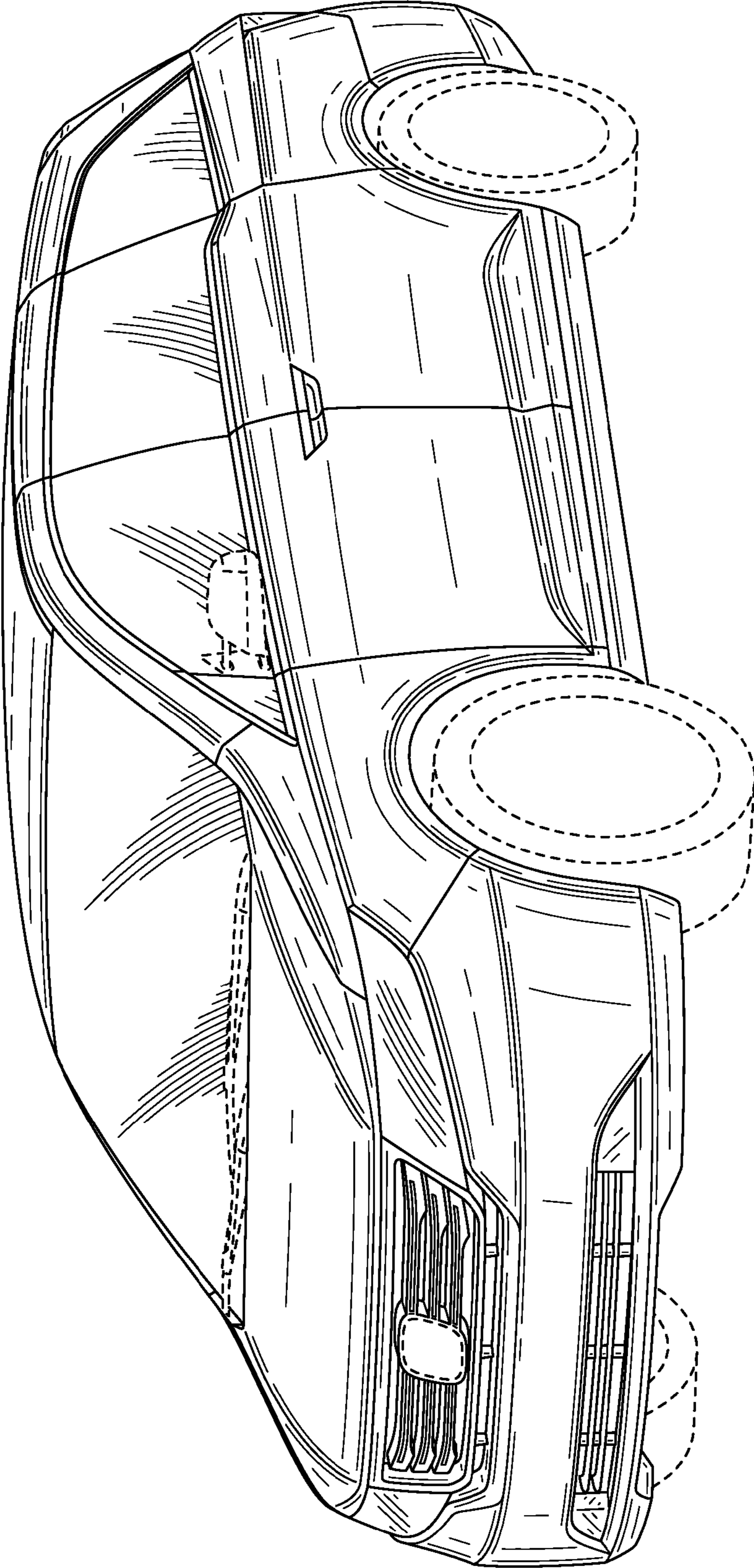


FIG. 1

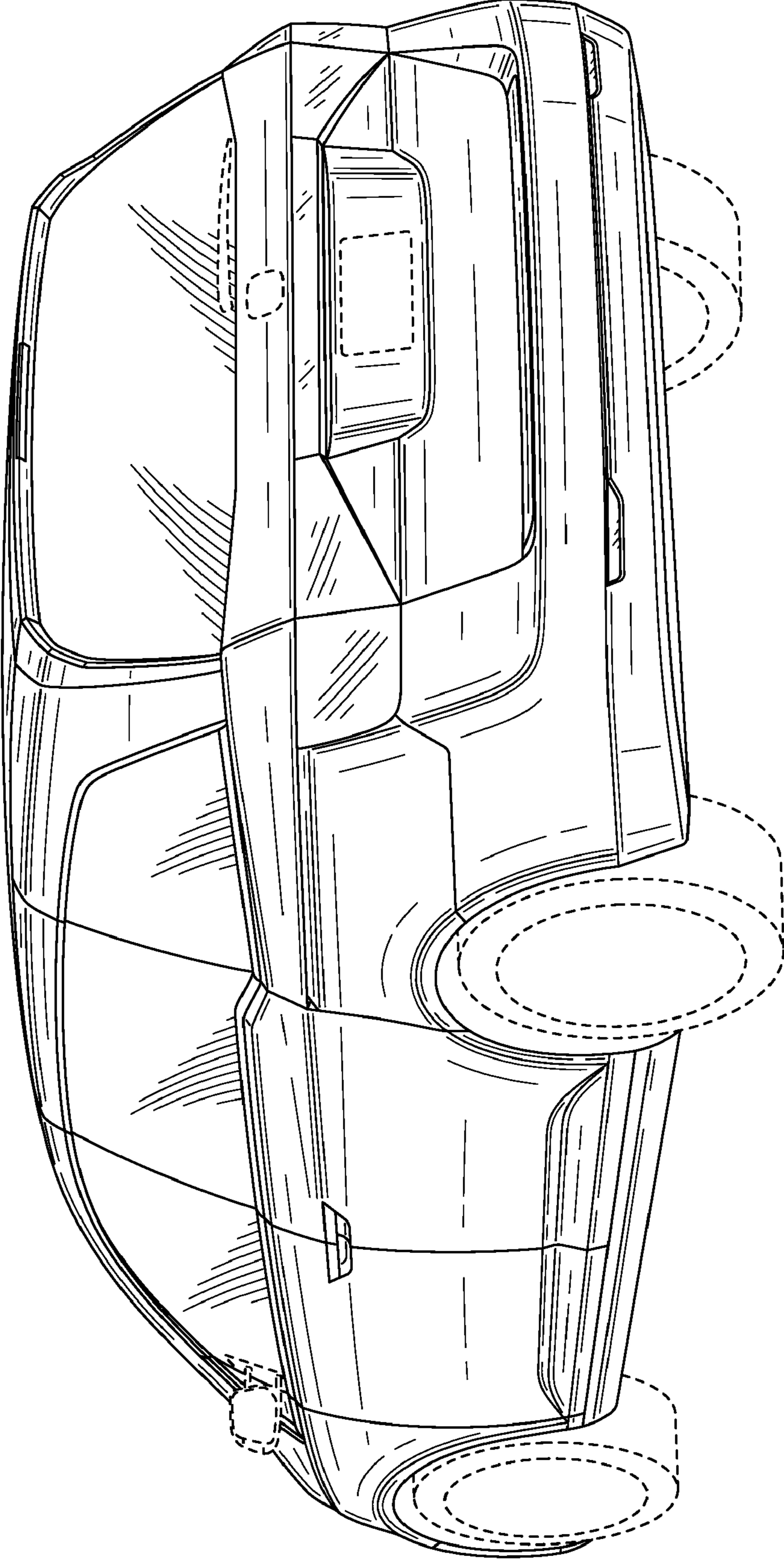


FIG. 2

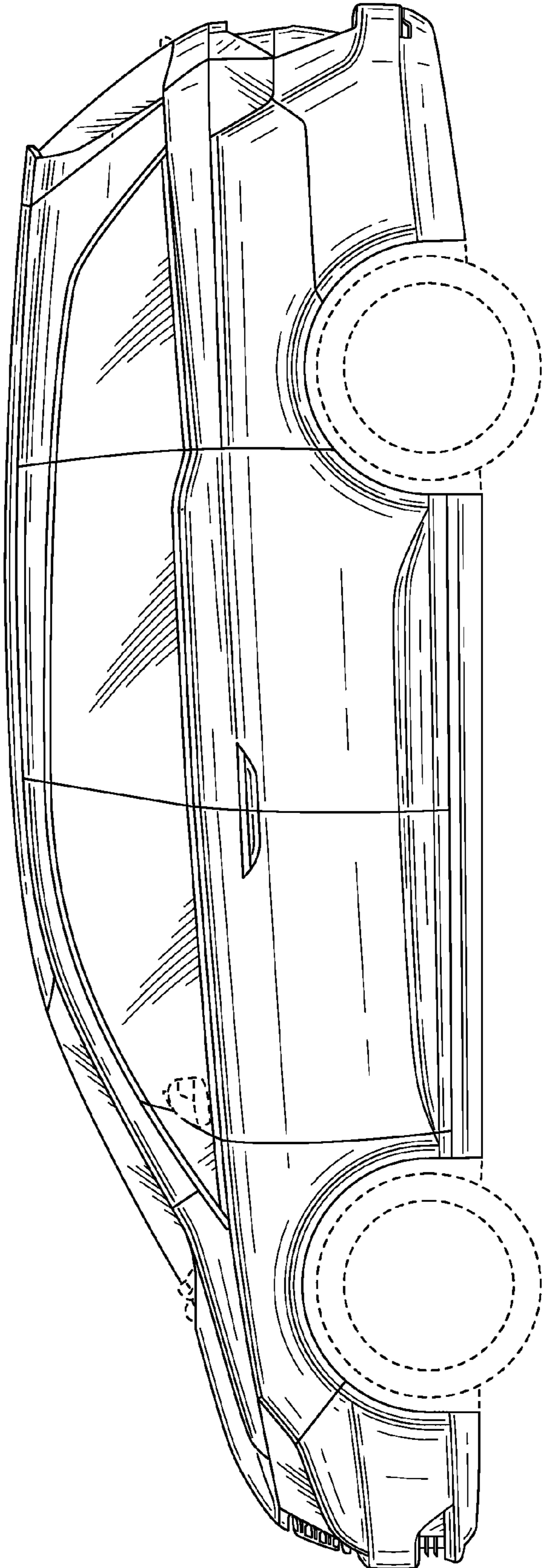


FIG. 3

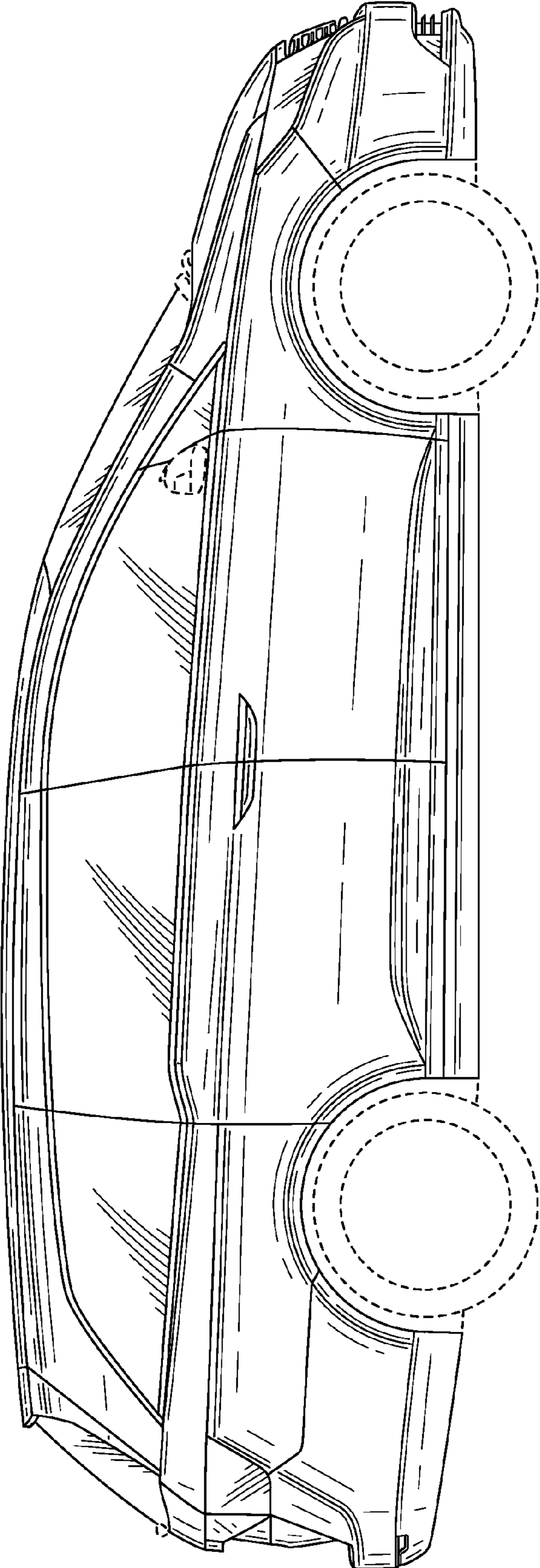


FIG. 4

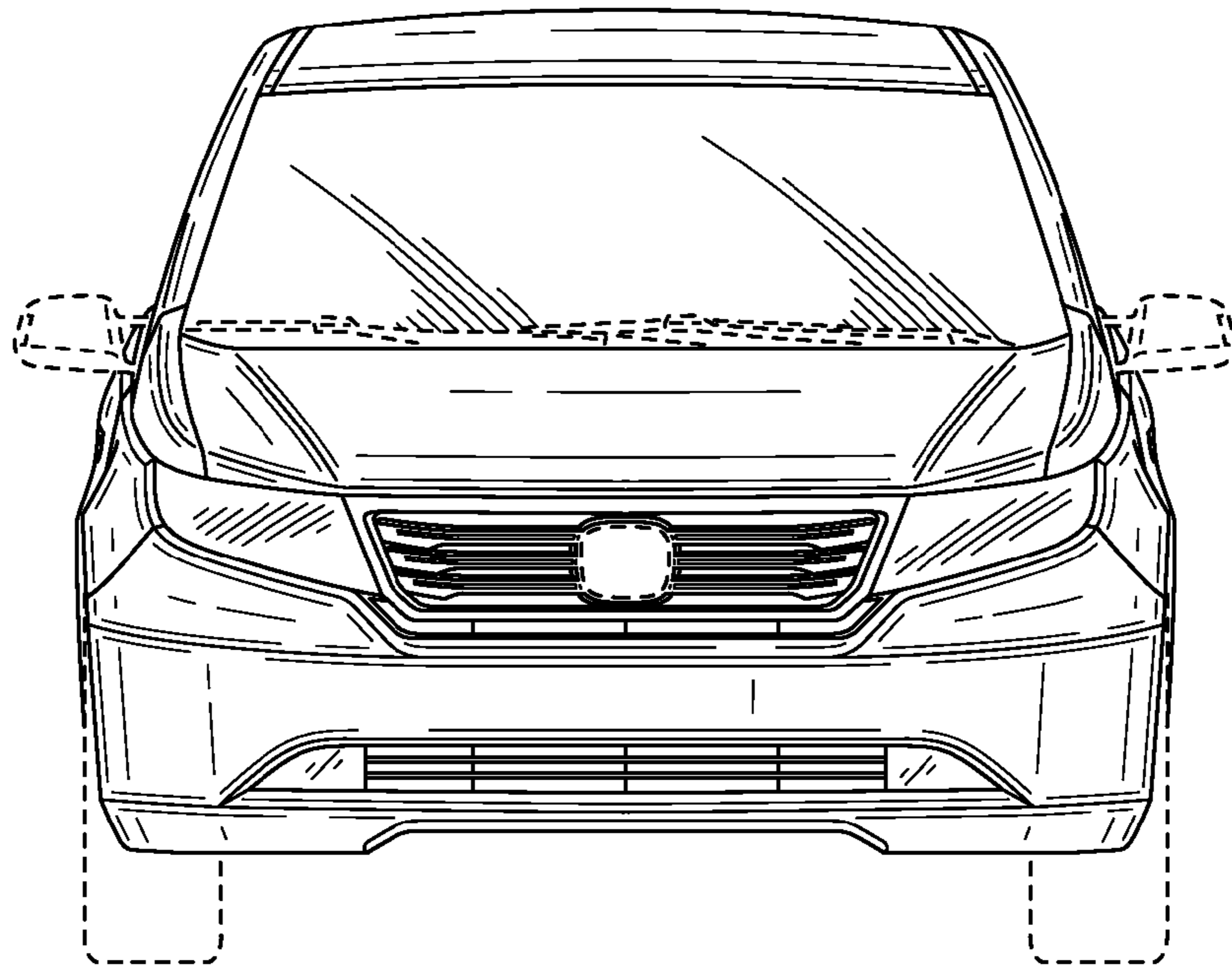


FIG. 5

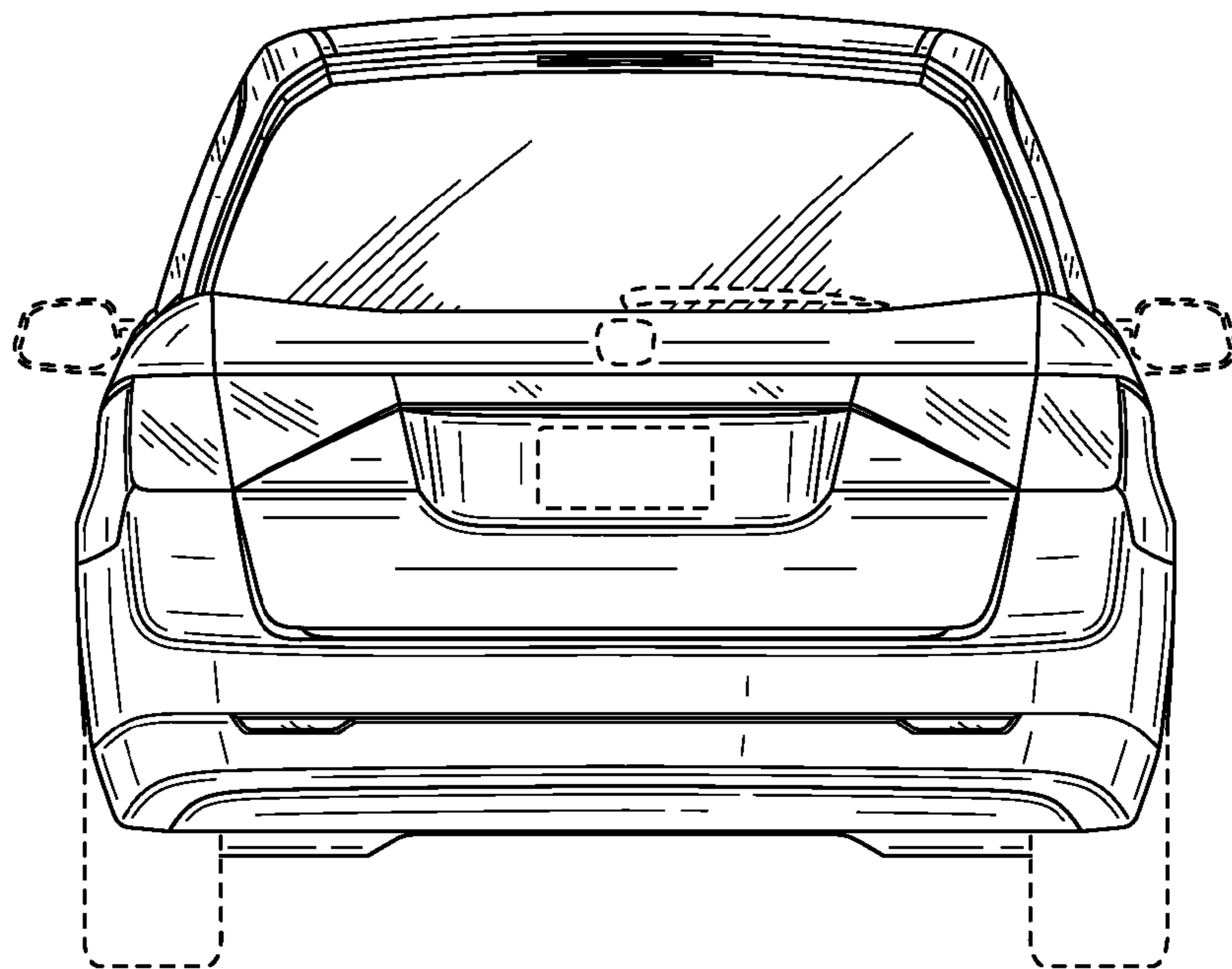


FIG. 6

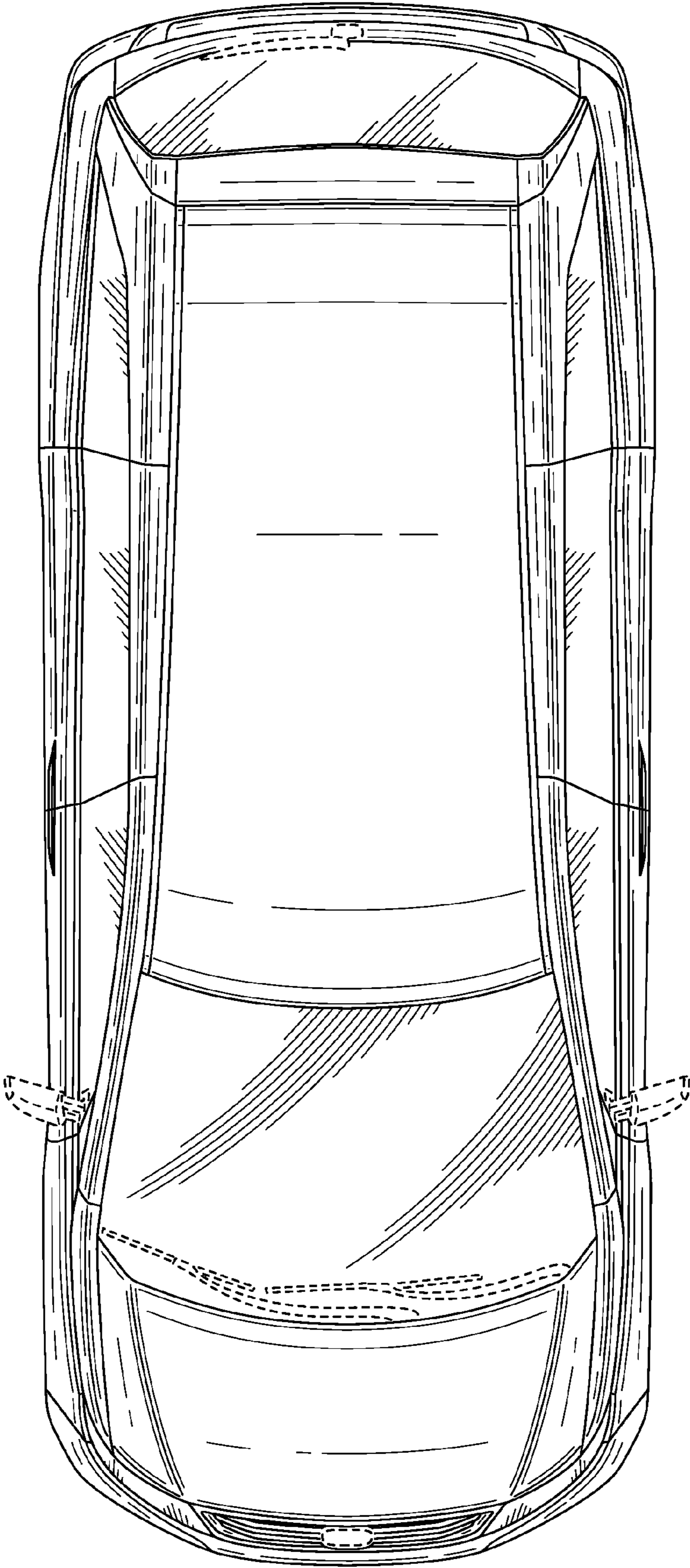


FIG. 7