

US00D633000S

(12) **United States Design Patent**
Allen

(10) **Patent No.:** **US D633,000 S**
(45) **Date of Patent:** **** Feb. 22, 2011**

(54) **BASE PLATE ELEMENT FOR DECORATIONS OR ORNAMENTS**

(75) Inventor: **Katrina Allen**, Moorabbin Victoria (AU)

(73) Assignee: **De Jour Sanitary Products Pty Ltd.**,
Moorabbin Victoria (AU)

(**) Term: **14 Years**

(21) Appl. No.: **29/346,715**

(22) Filed: **Nov. 4, 2009**

(30) **Foreign Application Priority Data**

May 4, 2009 (AU) 326757

(51) **LOC (9) Cl.** **11-02**

(52) **U.S. Cl.** **D11/164**

(58) **Field of Classification Search** D5/1-3,
D5/59, 61, 99; D11/164, 184; D25/33, 36;
52/19-20, 79.1; 137/364, 371; 220/453,
220/523, DIG. 23; 404/2, 25-26

See application file for complete search history.

(56) **References Cited**

U.S. PATENT DOCUMENTS

360,928	A *	4/1887	Tebbutt	404/19
467,814	A *	1/1892	Jacobs	404/2
1,990,909	A *	2/1935	Lambert	114/201 R
D289,863	S *	5/1987	Pecoff	D11/155
D354,022	S *	1/1995	Hou	D11/164
D354,256	S *	1/1995	Hou	D11/164
D355,626	S *	2/1995	Hou	D11/164

D355,627	S *	2/1995	Hou	D11/164
D373,328	S *	9/1996	Sellers	D11/164
D399,781	S *	10/1998	Ray	D11/143
D399,782	S *	10/1998	Ray	D11/143
D407,043	S *	3/1999	Kojima et al.	D11/164
D545,978	S *	7/2007	Snyder et al.	D25/36
D615,452	S *	5/2010	Banman	D11/164
2004/0226238	A1 *	11/2004	Haapiainen	52/302.1

* cited by examiner

Primary Examiner—Holly H Baynham

Assistant Examiner—Michelle E Wilson

(74) *Attorney, Agent, or Firm*—Patent Ingenuity, P.C.;
Samuel K. Simpson

(57) **CLAIM**

What is claimed is the ornamental design for a base plate element for decorations or ornaments, as shown and described.

DESCRIPTION

FIG. 1 is a perspective view of a base plate element for decorations or ornaments showing my new design;

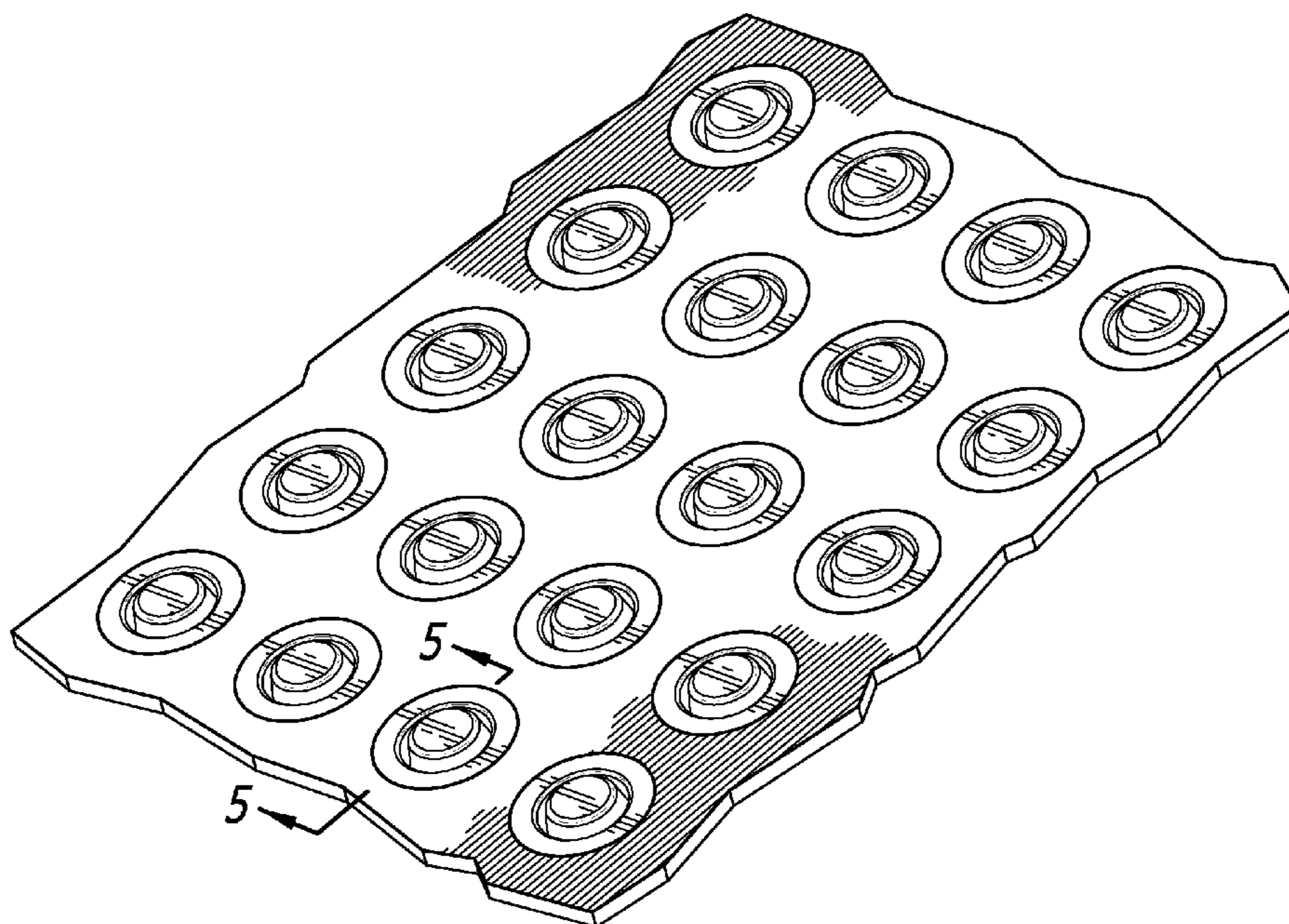
FIG. 2 is a top plan view thereof;

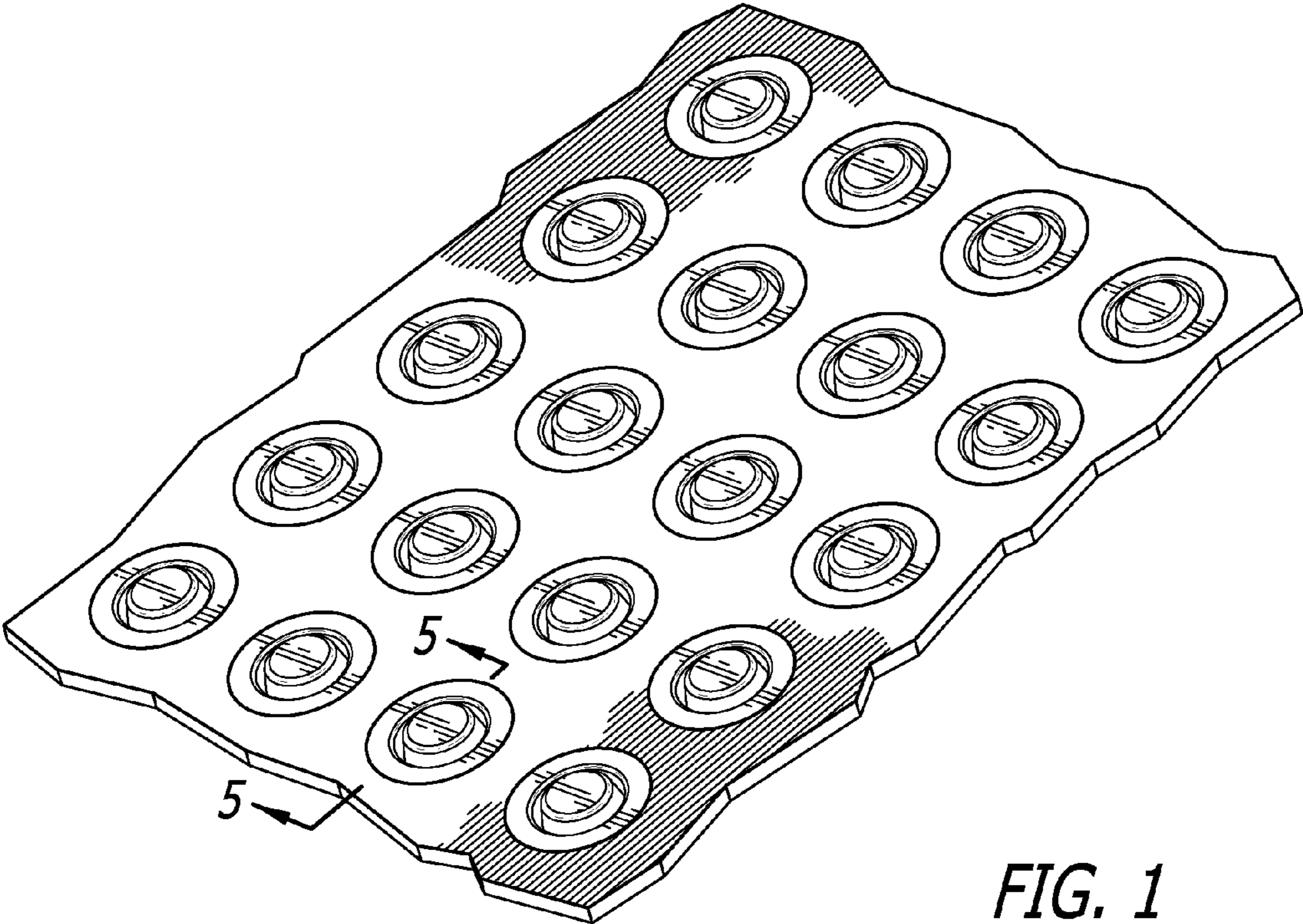
FIG. 3 is a front elevational view thereof, the rear elevational view thereof being a mirror image;

FIG. 4 is a right side elevational view thereof, the left elevational view thereof being a mirror image; and,

FIG. 5 is a cross sectional view taken along line 5—5 of FIG. 1.

1 Claim, 3 Drawing Sheets





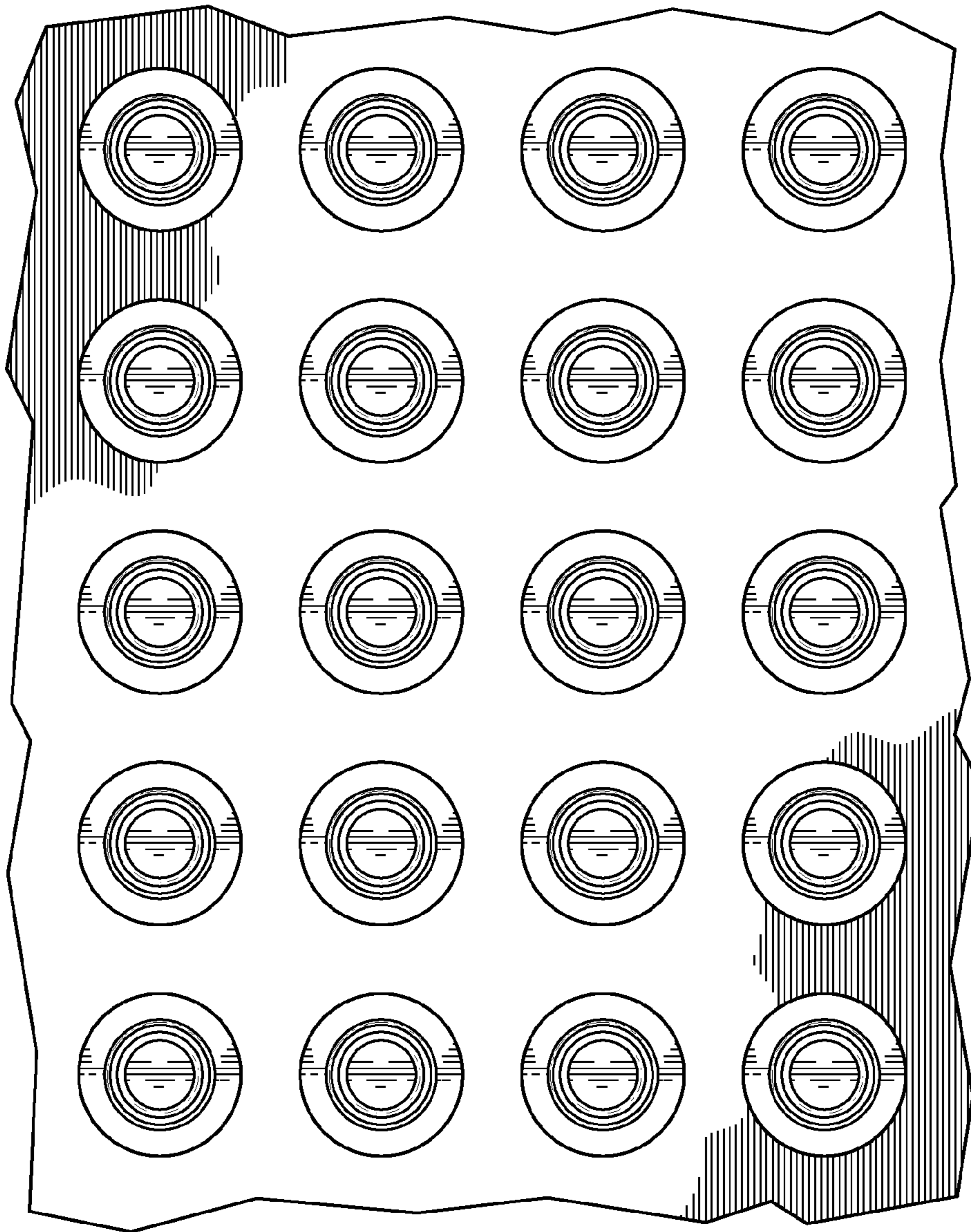


FIG. 2

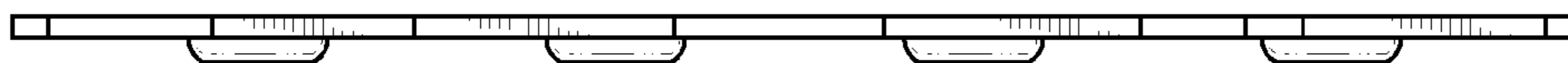


FIG. 3



FIG. 4

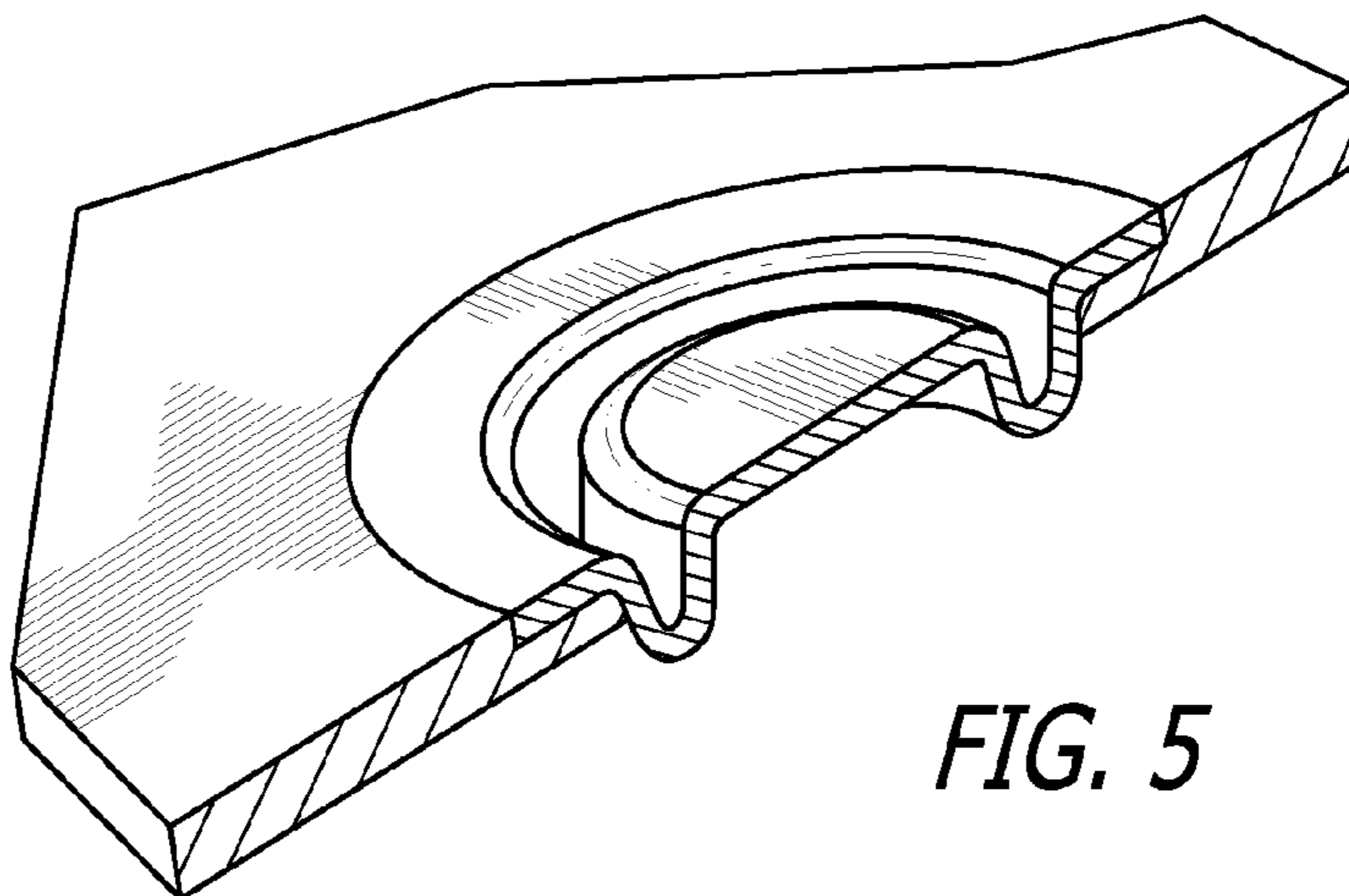


FIG. 5