

US00D632996S

(12) **United States Design Patent**
Correia

(10) **Patent No.:** **US D632,996 S**

(45) **Date of Patent:** **** *Feb. 22, 2011**

(54) **VASE**

D582,534 S * 12/2008 Conway et al. D11/152
D602,396 S * 10/2009 Conway et al. D11/146

(75) Inventor: **Monica Cruz de Gusmao Correia,**
Tiffin, IA (US)

OTHER PUBLICATIONS

(73) Assignee: **University of Iowa Research**
Foundation, Iowa City, IA (US)

Monica Correia, Flowerbud Stool, <http://myweb.uiowa.edu/correia/flowerbud.html> (showing a stool in public use in the US more than one year before Nov. 20, 2009).

Monica Correia, Tapas e Bacios Set, Ventosa Chair, http://myweb.uiowa.edu/correia/ventosa_chair.html (showing a chair in public use in the US more than one year before Nov. 20, 2009).

(**) Term: **14 Years**

Monica Correia, BR Stool, http://myweb.uiowa.edu/correia/br_stool.html (showing a stool in public use in the US more than one year before Nov. 20, 2009).

(21) Appl. No.: **29/350,690**

Monica Correia, Ventosa Stool, <http://myweb.uiowa.edu/correia/ventose%20Stool.html> (showing a stool in public use in the US more than one year before Nov. 20, 2009).

(22) Filed: **Nov. 20, 2009**

Monica Correia, Ventosa Bowl Set, http://myweb.uiowa.edu/correia/ventosa_bowlset.html (showing a bowl set in public use in the US more than one year before Nov. 20, 2009).

(51) **LOC (9) Cl.** **11-02**

(52) **U.S. Cl.** **D11/143; D11/146; D11/149**

(58) **Field of Classification Search** D6/403-405,
D6/556-558; D8/1; D11/143-156, 164;
D19/77, 80-82, 84; D25/100; D26/9-11,
D26/16-18, 20, 22; D34/1, 2, 4-6; D99/5,
D99/19; 47/32.7, 33, 39, 41.01, 41.1, 41.12,
47/41.13, 41.15, 44-47, 65.5, 65.9, 66.1,
47/66.3-66.6, 67-70

See application file for complete search history.

(Continued)

Primary Examiner—Garth Rademaker
(74) *Attorney, Agent, or Firm*—Faegre & Benson LLP

(56) **References Cited**

U.S. PATENT DOCUMENTS

D4,318 S	8/1870	Roebuck	
D40,584 S *	3/1910	Moore	D11/146
D47,878 S *	9/1915	Dougherty	D11/146
D79,467 S *	9/1929	Kelly	D11/146
D247,941 S *	5/1978	Gregorius	D6/556
D351,121 S	10/1994	Lauchlan	
D448,097 S *	9/2001	Bodum	D26/9
D480,987 S *	10/2003	Salenger	D11/146
D518,755 S *	4/2006	Kavur	D11/149
D530,562 S *	10/2006	Brookshire et al.	D7/354
D541,933 S *	5/2007	White et al.	D11/146
D574,294 S *	8/2008	Heathcock et al.	D11/144
D578,927 S *	10/2008	Brandstatter	D11/146

(57) **CLAIM**

The ornamental design for vase, as shown and described.

DESCRIPTION

FIG. 1 is a front perspective view of a vase, showing the new design;

FIG. 2 is a rear perspective view thereof;

FIG. 3 is a front view thereof;

FIG. 4 is a back view thereof;

FIG. 5 is a right side view thereof;

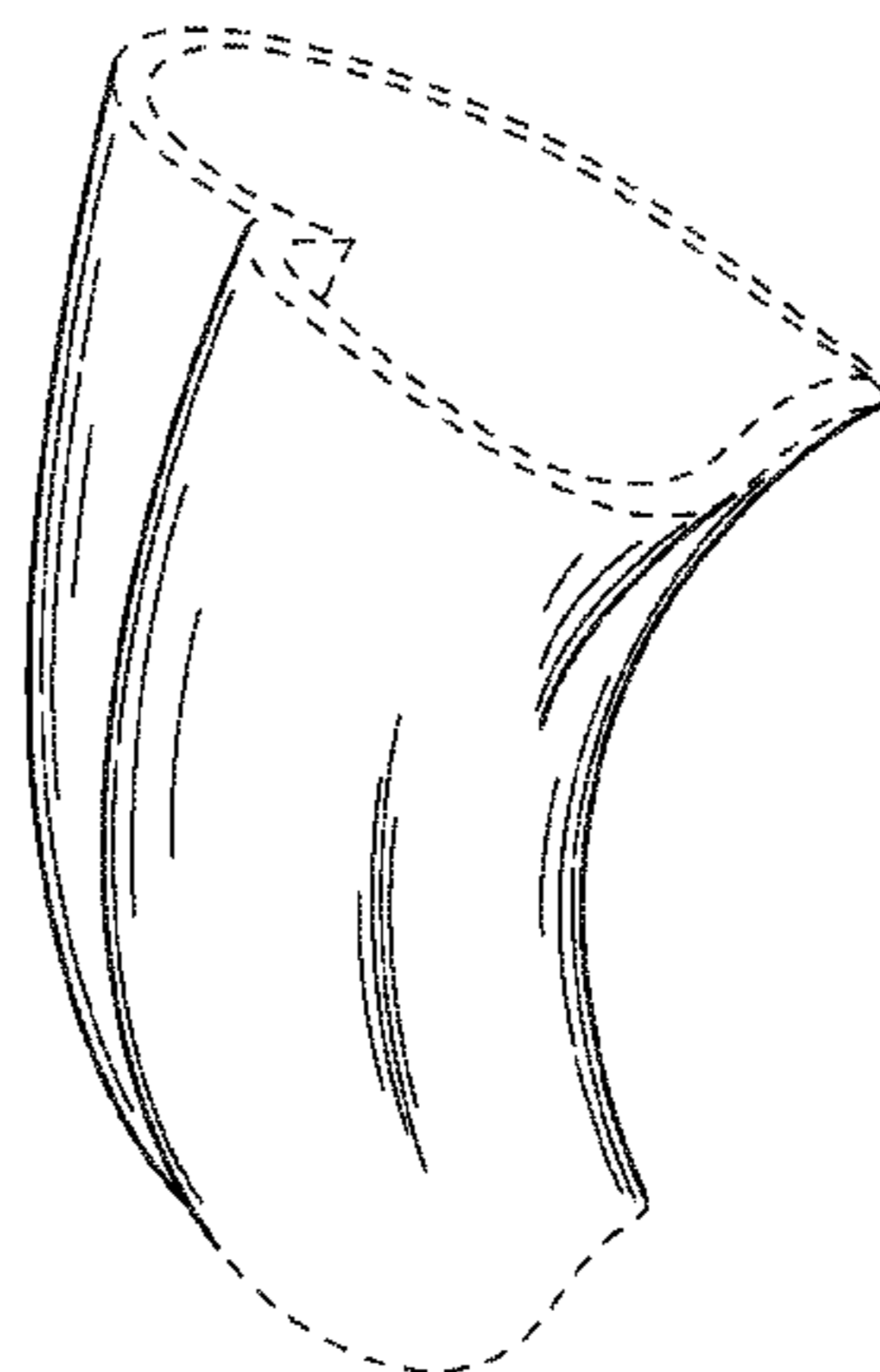
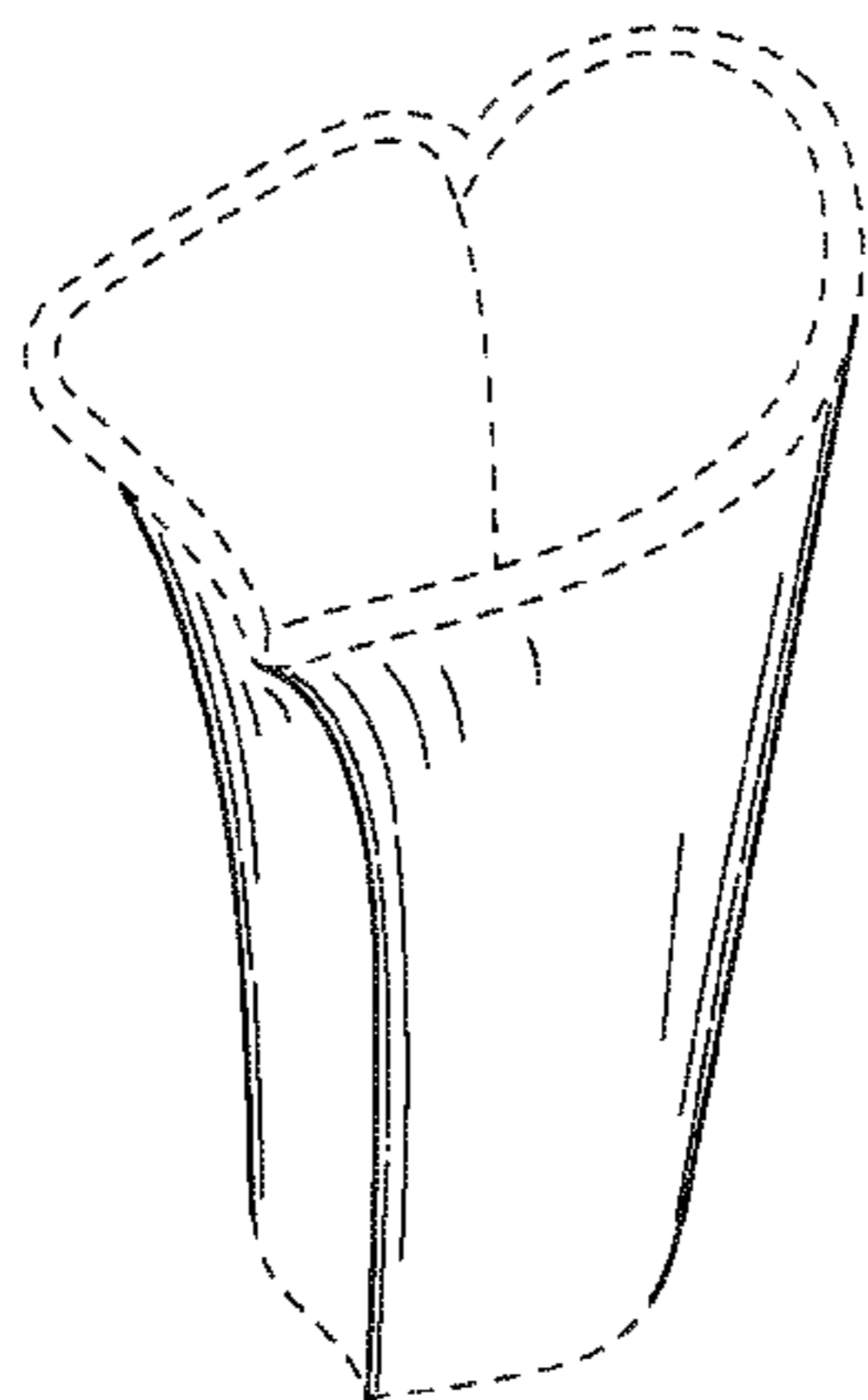
FIG. 6 is a left side view thereof;

FIG. 7 is a top view thereof; and,

FIG. 8 is a bottom view thereof.

The broken line showing of the inside surface and top and bottom edges is for illustrative purposes only and forms no part of the claimed design.

1 Claim, 8 Drawing Sheets



OTHER PUBLICATIONS

Monica Correia, Ventosa Vase, http://myweb.uiowa.edu/correia/ventosa_collection.html (showing vases in public use in the US more than one year before Nov. 20, 2009).

Monica Correia, Ventosa Vase, http://myweb.uiowa.edu/correia/ventosa_vase.html (showing vases in public use in the US more than one year before Nov. 20, 2009).

Monica Correia, Ventosa Colorido, http://myweb.uiowa.edu/correia/ventosa_colorido.html (showing a vase in public use in the US more than one year before Nov. 20, 2009).

Monica Correia, Lace Collection, <http://myweb.uiowa.edu/correia/lacecollection.html> (showing pieces in public use in the US more than one year before Nov. 20, 2009).

File History for U.S. Appl. No. 29/350,691, filed Nov. 20, 2009 (as of Aug. 10, 2010).

File History for U.S. Appl. No. 29/350,692, filed Nov. 20, 2009 (as of Aug. 10, 2010).

* cited by examiner

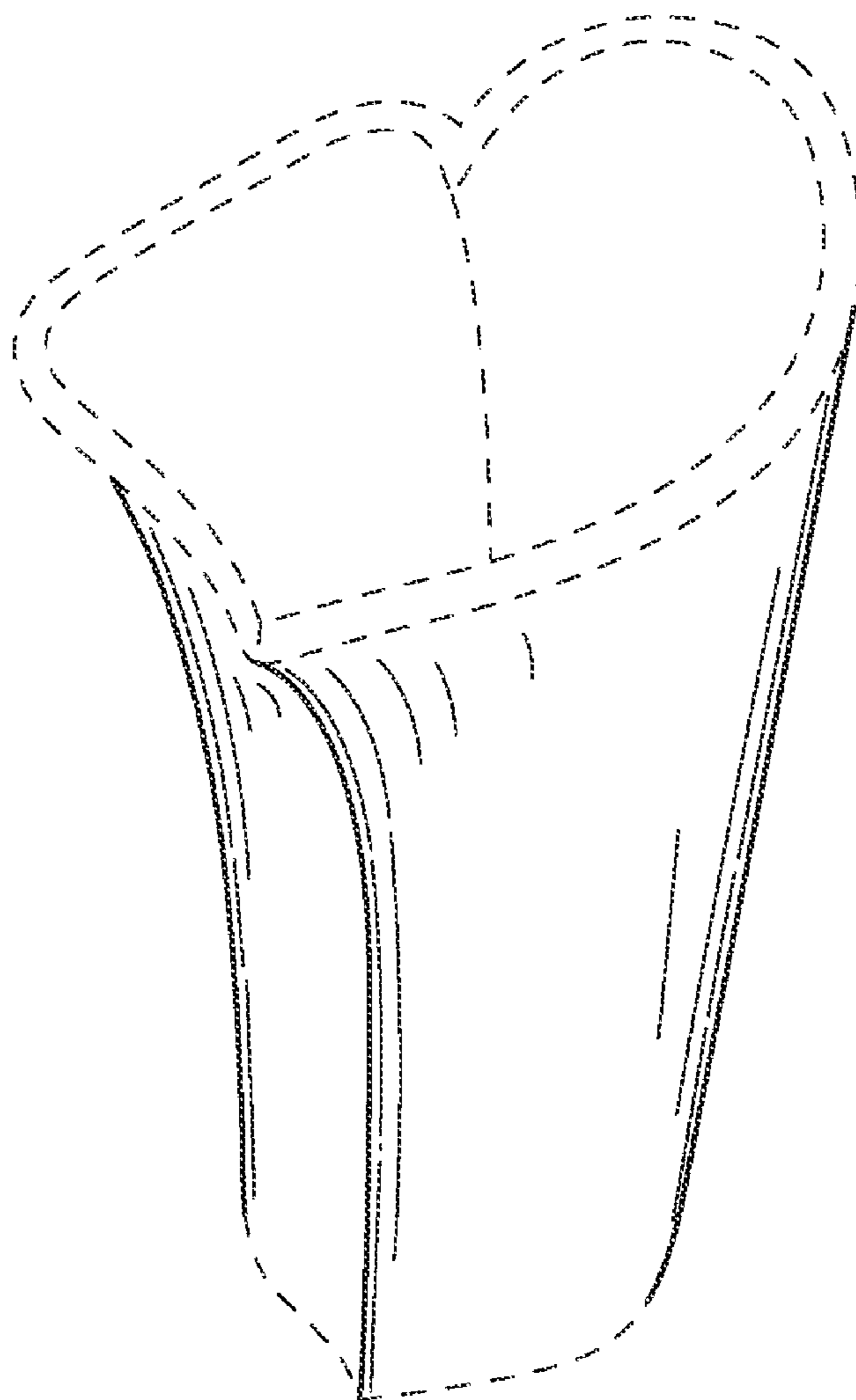


FIG.1

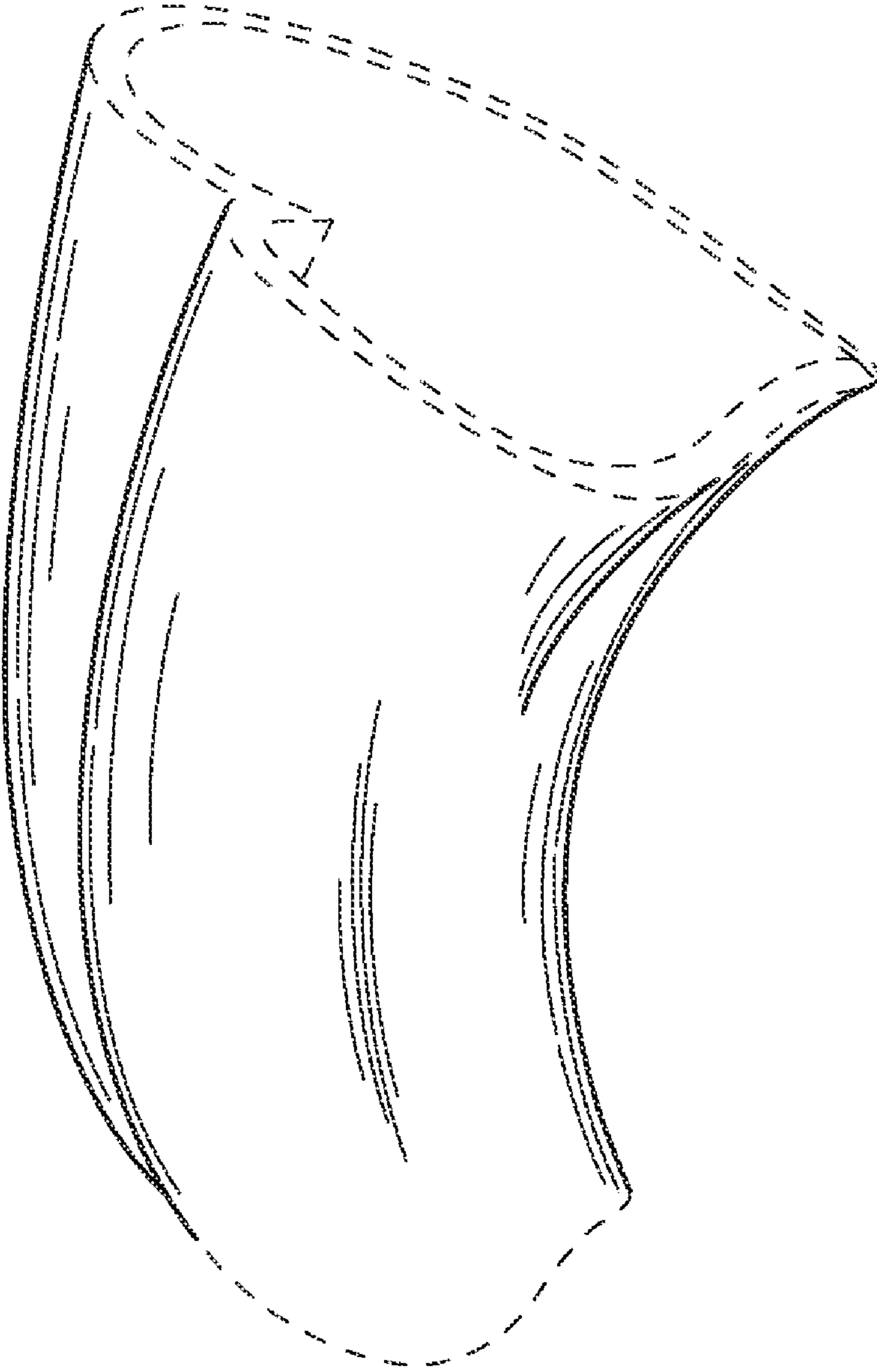


FIG.2

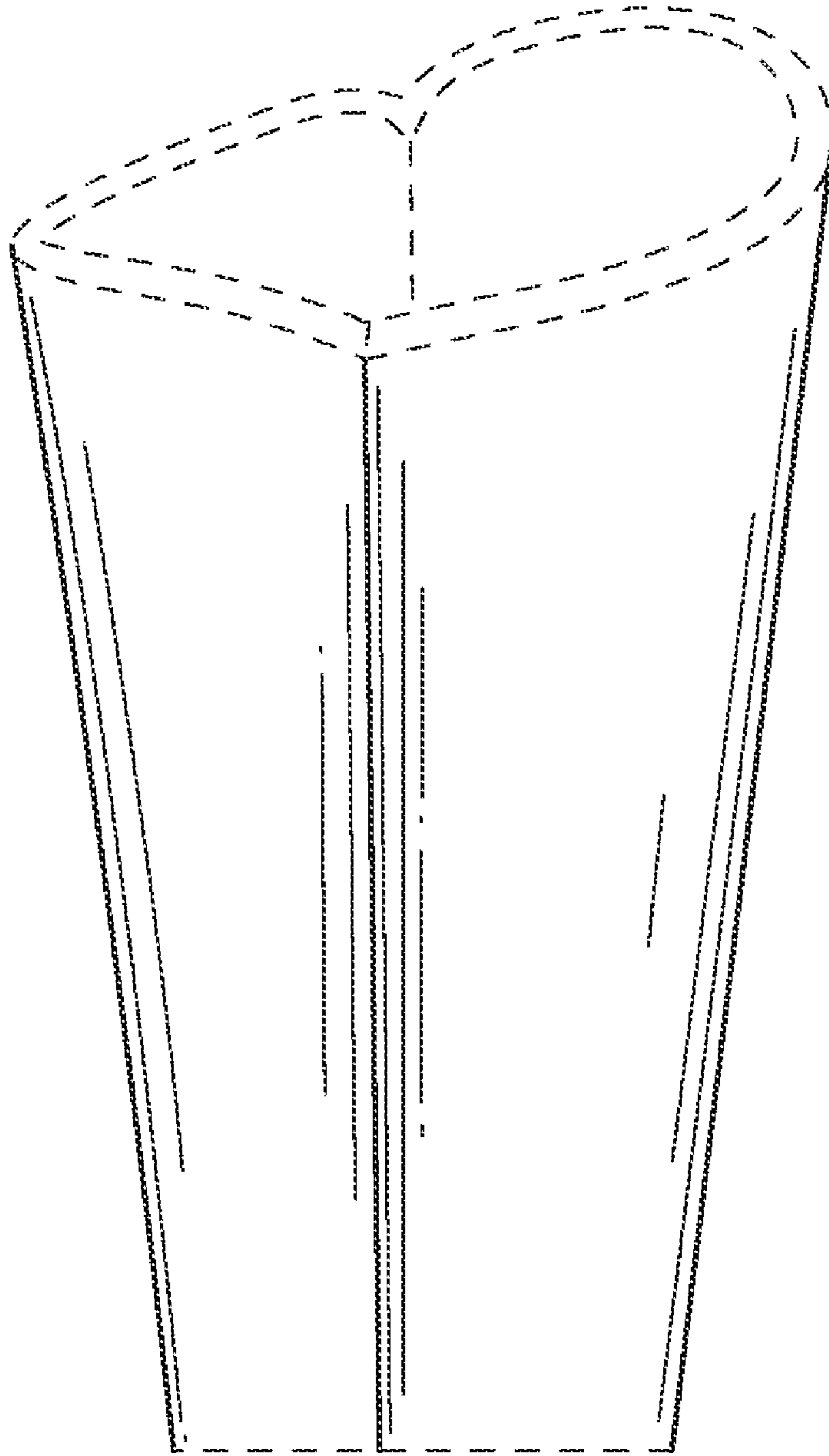


FIG. 3

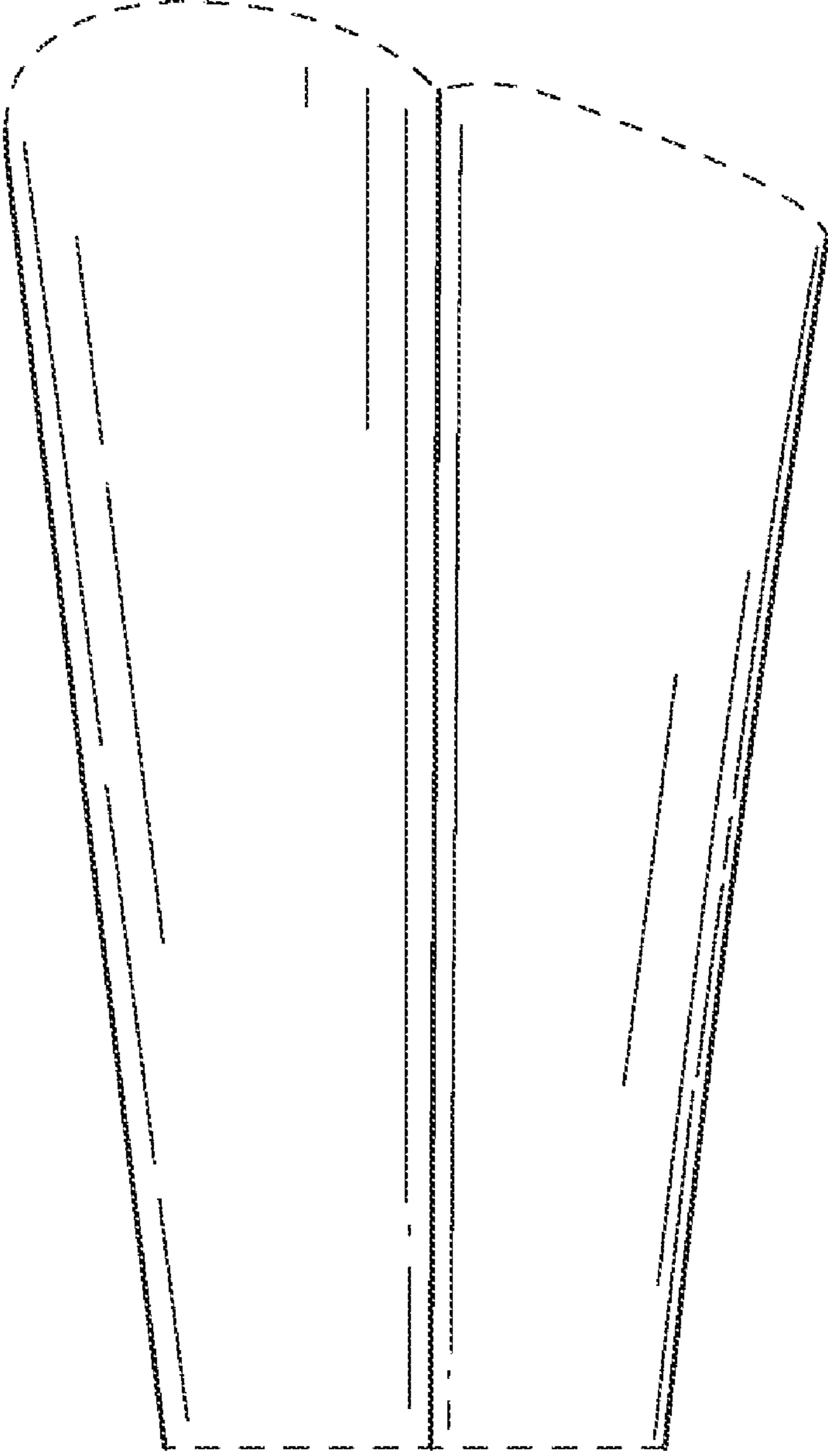


FIG.4

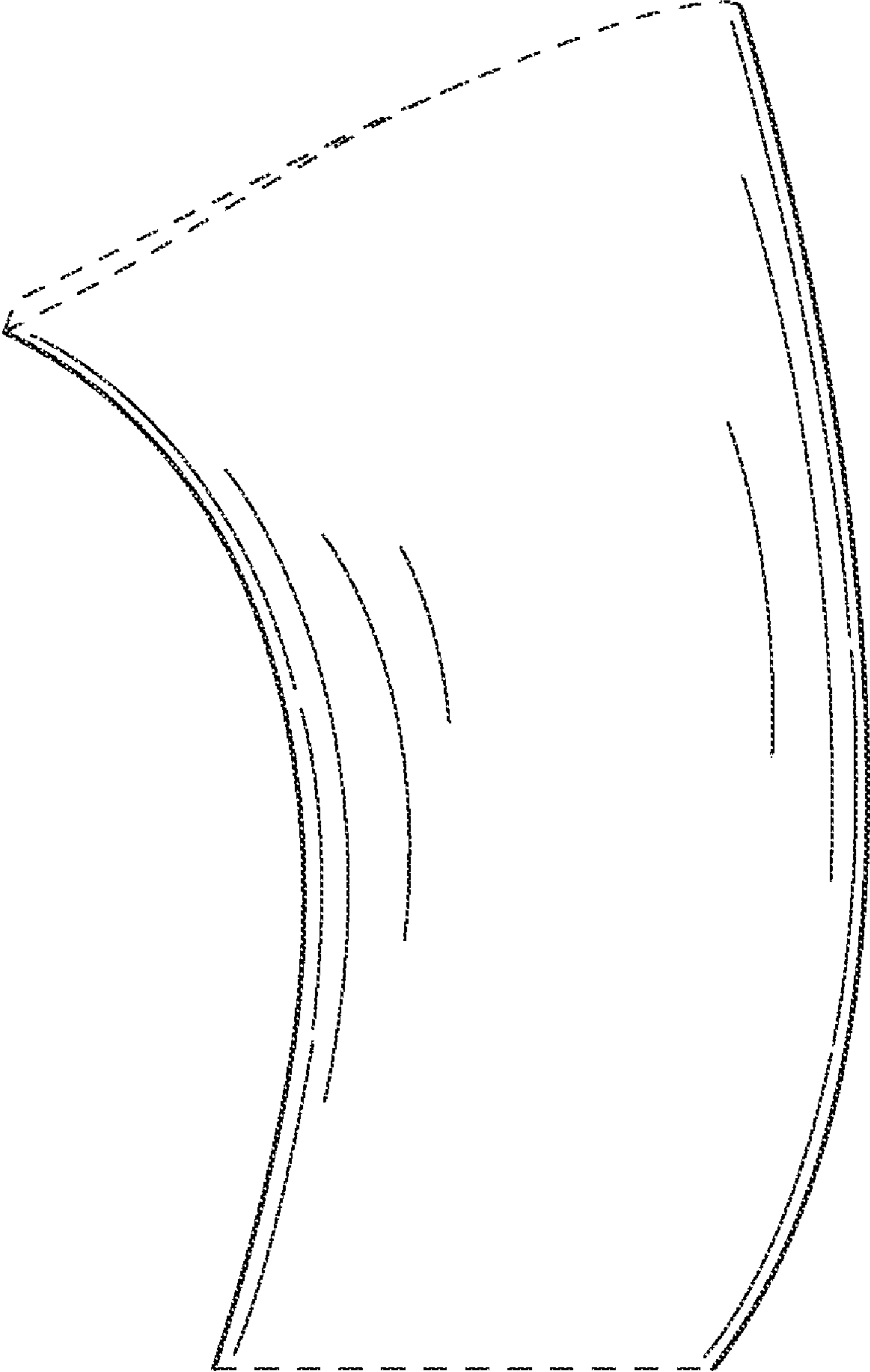


FIG.5

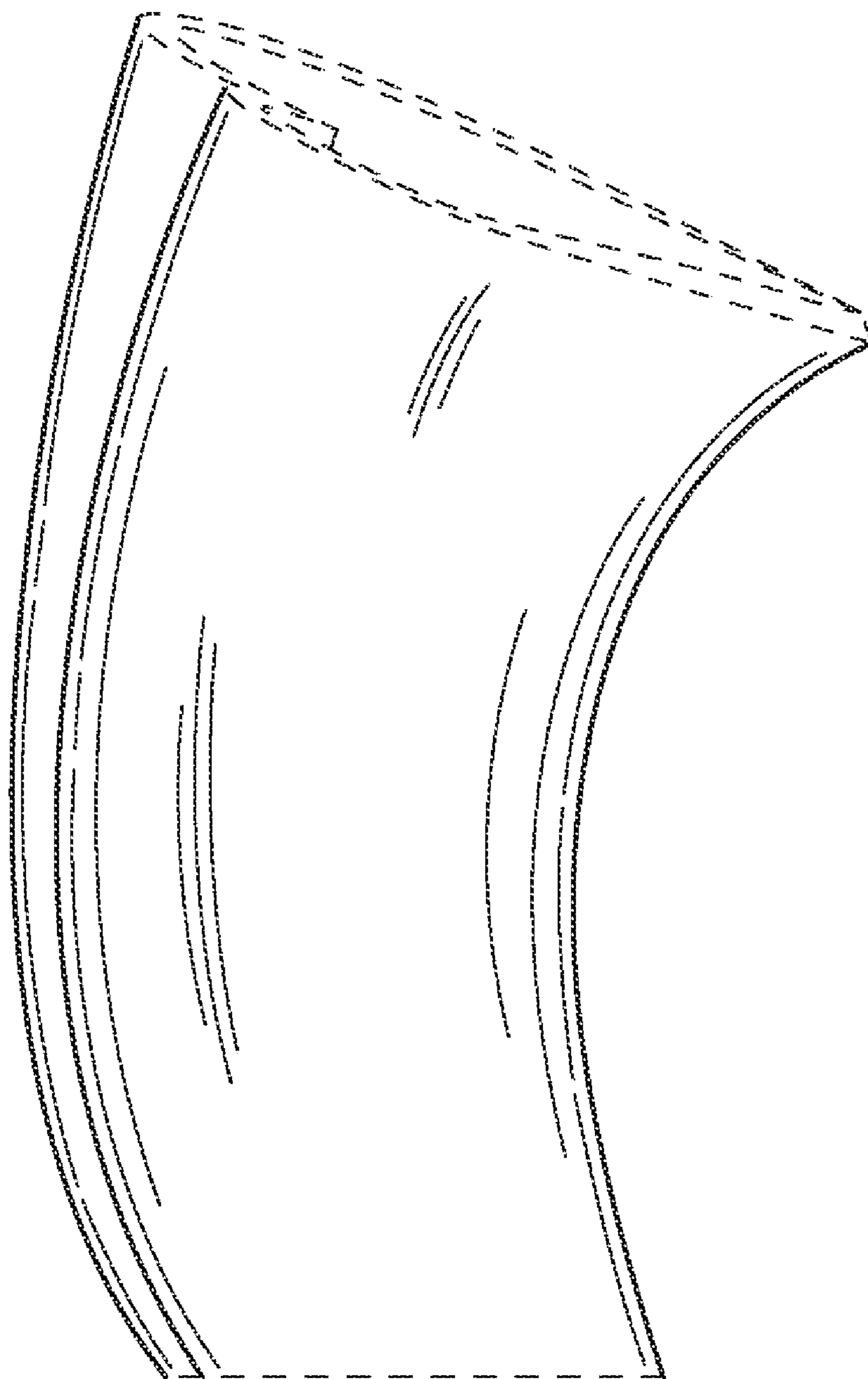


FIG. 6

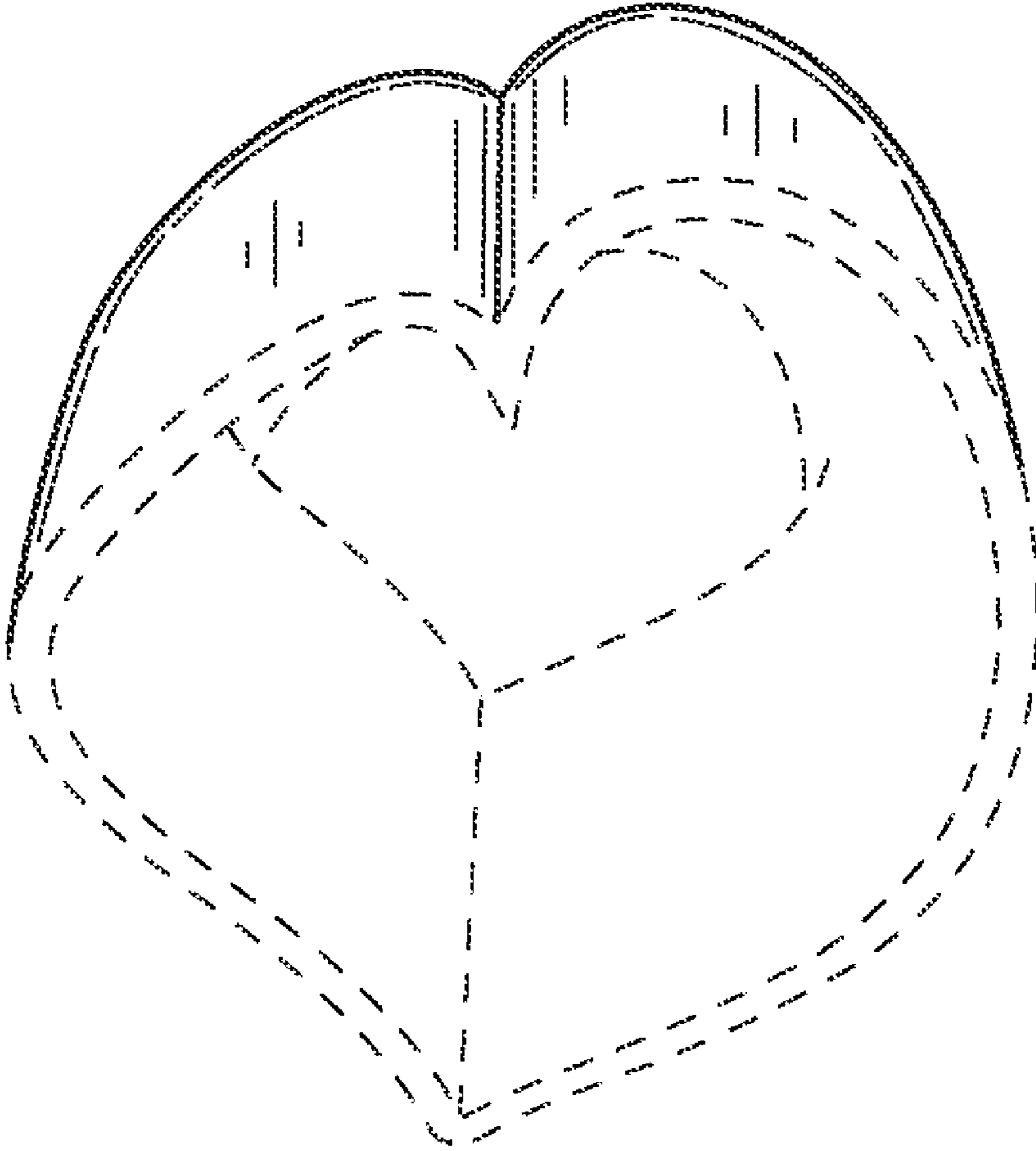


FIG. 7

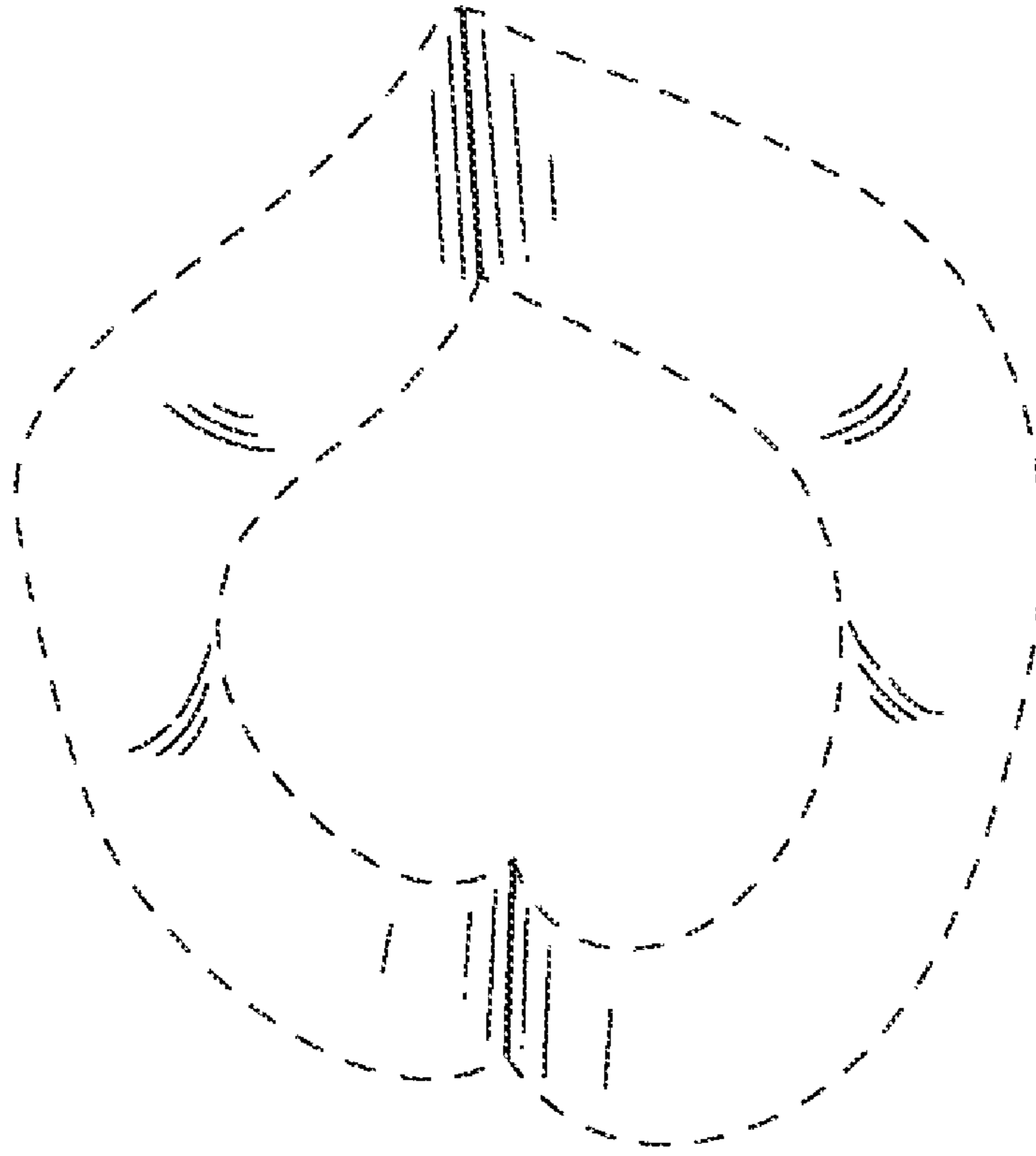


FIG. 8