



US00D632992S

(12) **United States Design Patent**  
**Kapoor**

(10) **Patent No.:** **US D632,992 S**

(45) **Date of Patent:** **\*\* Feb. 22, 2011**

(54) **RING**

(75) Inventor: **Anish Kapoor**, London (GB)

(73) Assignee: **Bulgari S.p.A.**, Rome (IT)

(\*\*) Term: **14 Years**

(21) Appl. No.: **29/365,335**

(22) Filed: **Jul. 8, 2010**

(30) **Foreign Application Priority Data**

Jan. 28, 2010 (EM) ..... DM/072 991

(51) **LOC (9) Cl.** ..... **11-01**

(52) **U.S. Cl.** ..... **D11/39**

(58) **Field of Classification Search** ..... D11/3-6,  
D11/26-39; 63/15, 15.1-15.4, 15.45, 15.5,  
63/15.6, 15.65, 15.7, 26-28  
See application file for complete search history.

(56) **References Cited**

**U.S. PATENT DOCUMENTS**

D262,271 S \* 12/1981 Barr ..... D11/39  
D424,966 S \* 5/2000 Ofiesh, II ..... D11/26  
D434,688 S \* 12/2000 Bulgari ..... D11/26

6,295,732 B1 \* 10/2001 Ofiesh, II ..... 63/15  
D458,558 S \* 6/2002 Tschetter ..... D11/26  
D464,899 S \* 10/2002 Bulgari ..... D11/4  
D542,690 S \* 5/2007 Miller et al. .... D11/26  
D545,716 S \* 7/2007 Bulgari ..... D11/40

\* cited by examiner

*Primary Examiner*—Cathron C Brooks

*Assistant Examiner*—Melanie Levy

(74) *Attorney, Agent, or Firm*—Reising Ethington P.C.

(57) **CLAIM**

The ornamental design for a ring, as shown and described.

**DESCRIPTION**

FIG. 1 shows a perspective view of the ring;

FIG. 2 shows a top view of the ring;

FIG. 3 shows a front view of the ring;

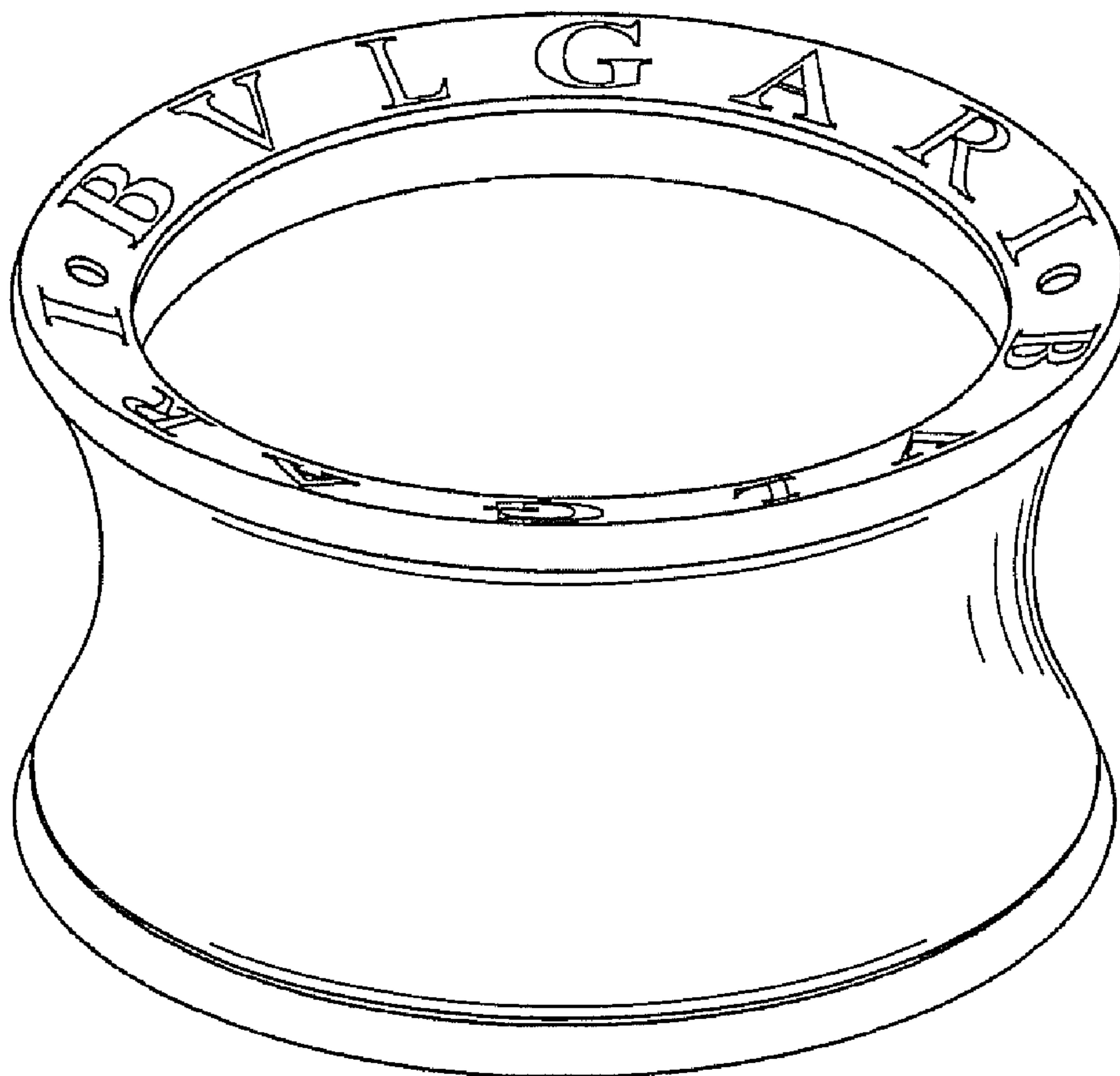
FIG. 4 shows a bottom view of the ring;

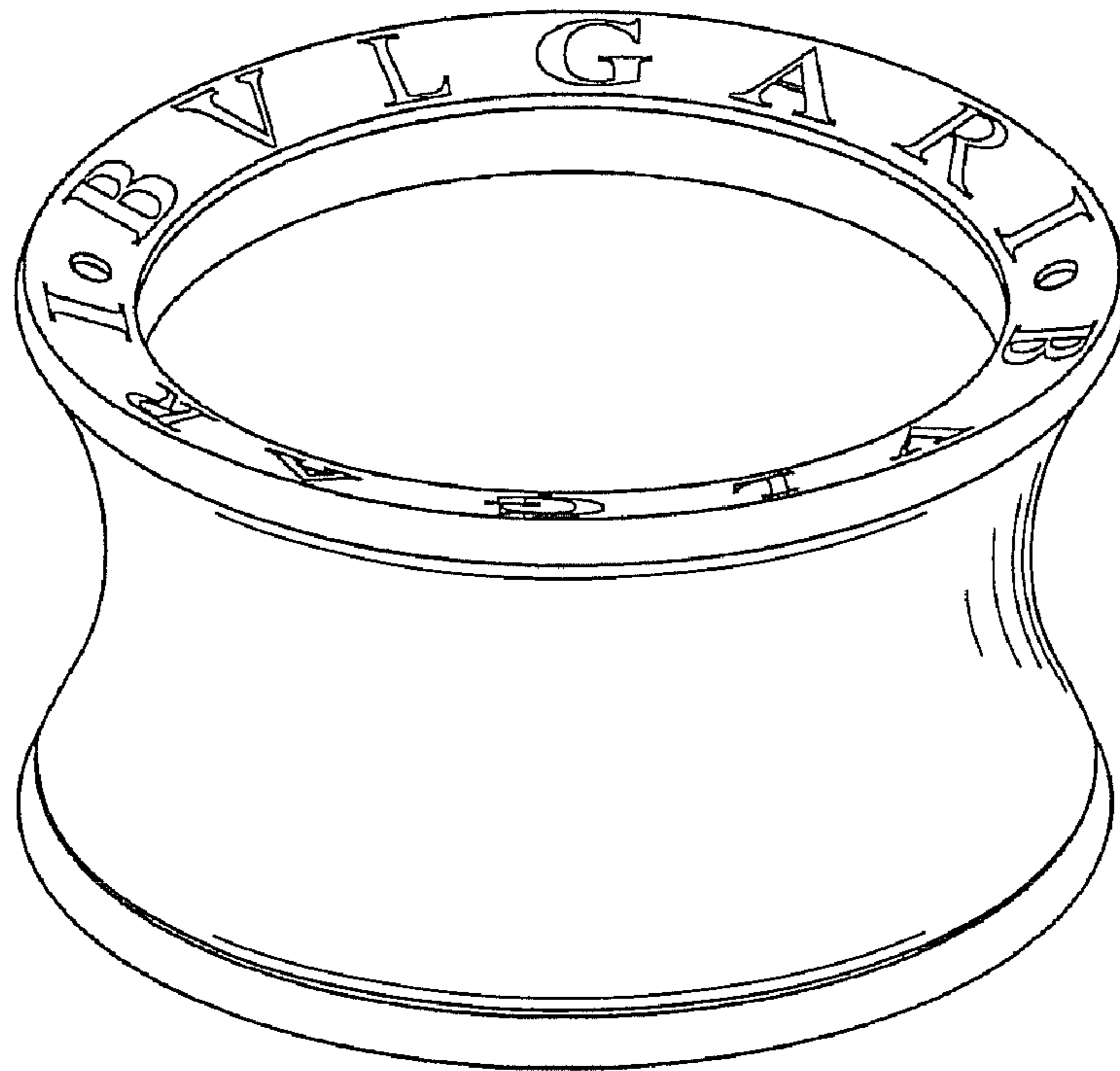
FIG. 5 shows a rear view of the ring;

FIG. 6 shows a left side view of the ring; and,

FIG. 7 shows a right side view of the ring.

**1 Claim, 2 Drawing Sheets**





**FIG. 1**

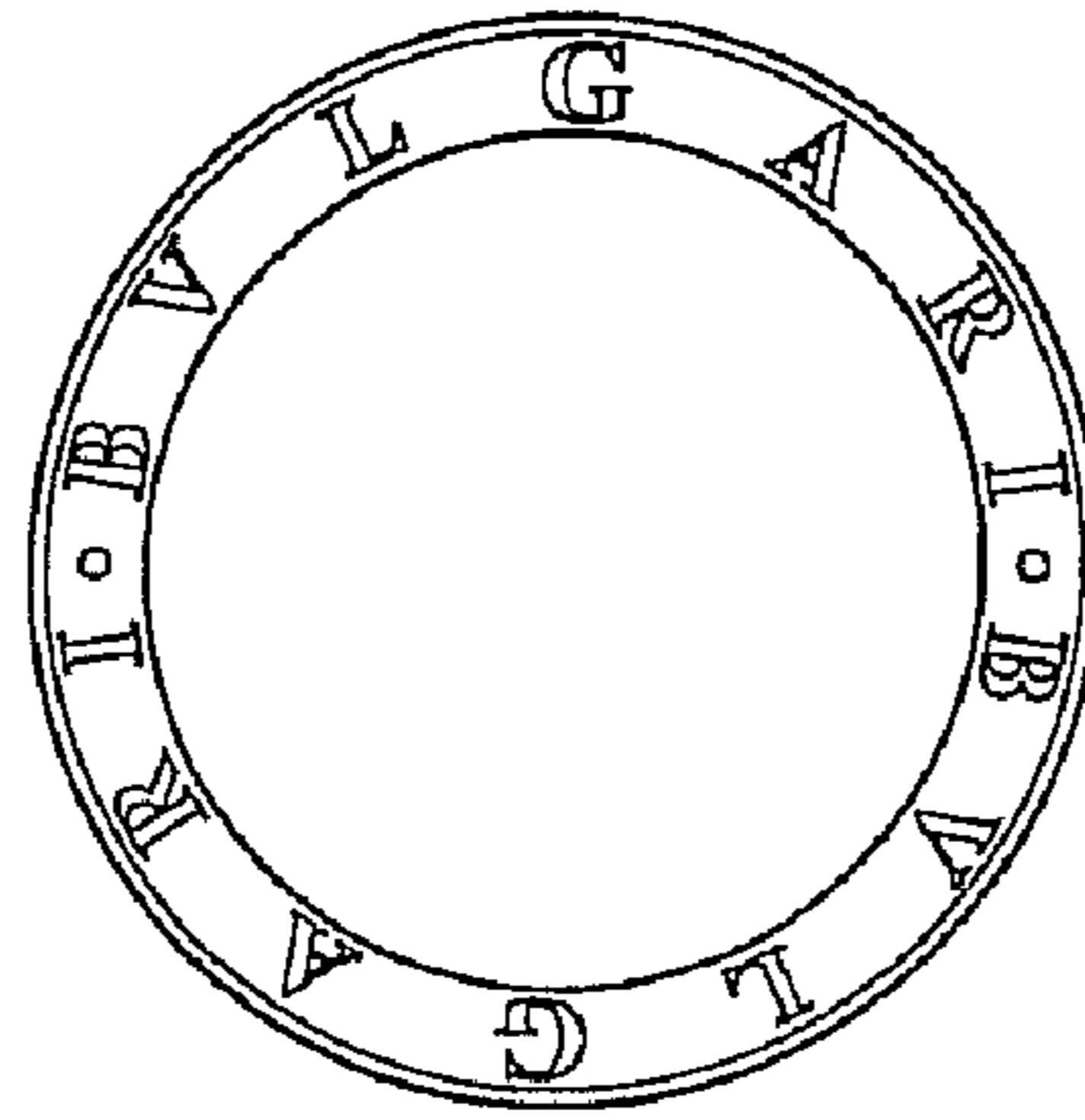


FIG. 2

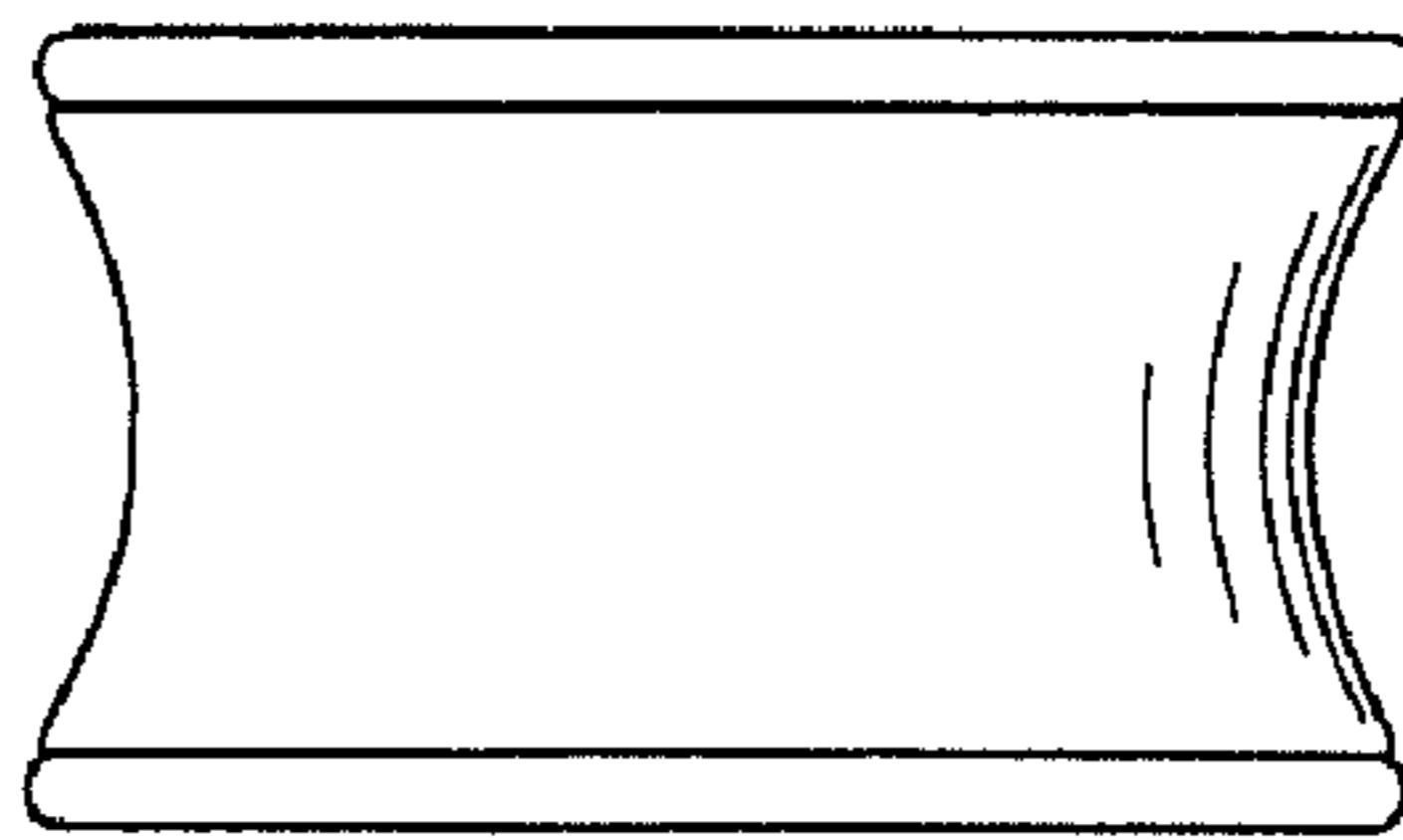


FIG. 3

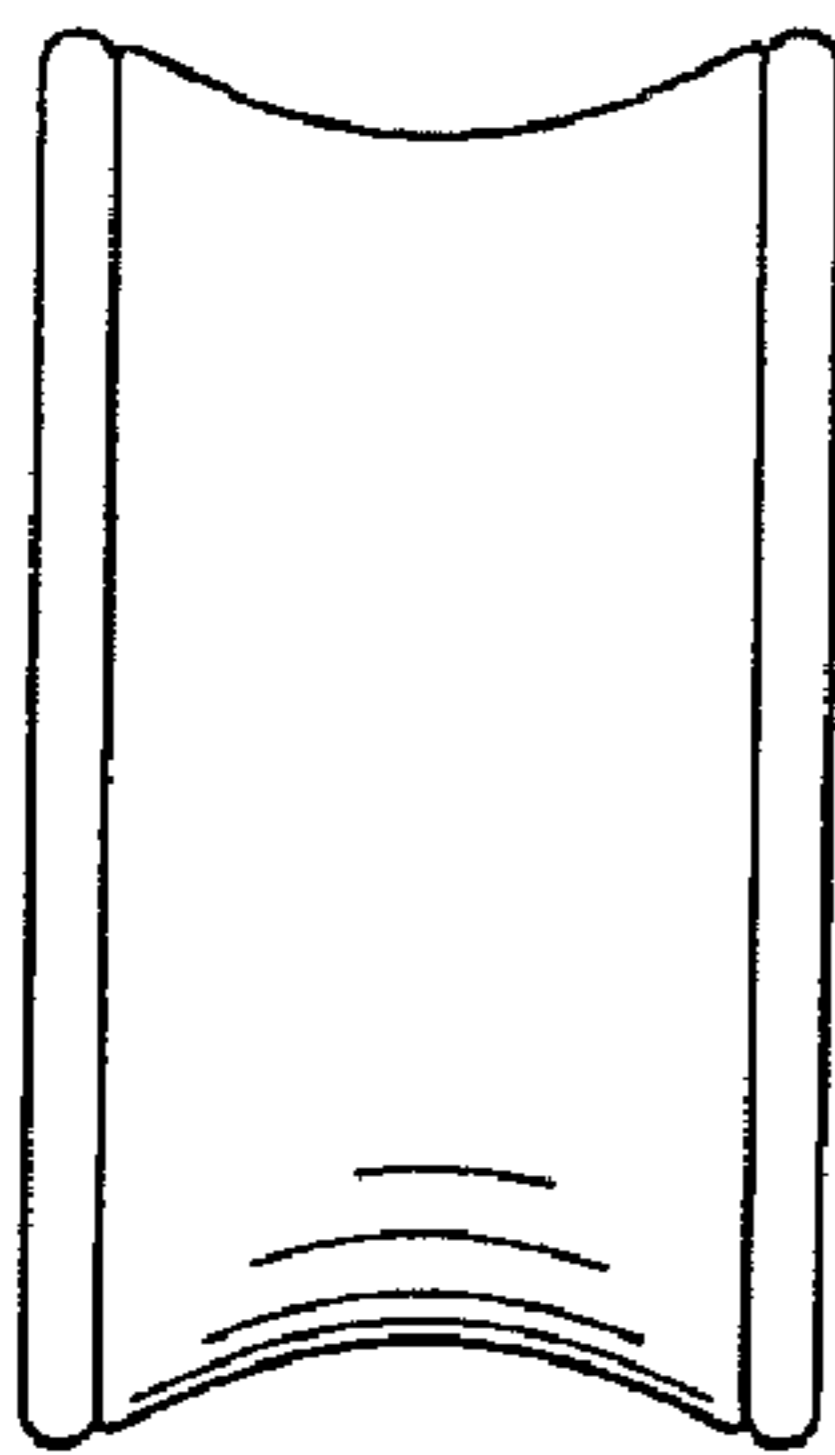


FIG. 6

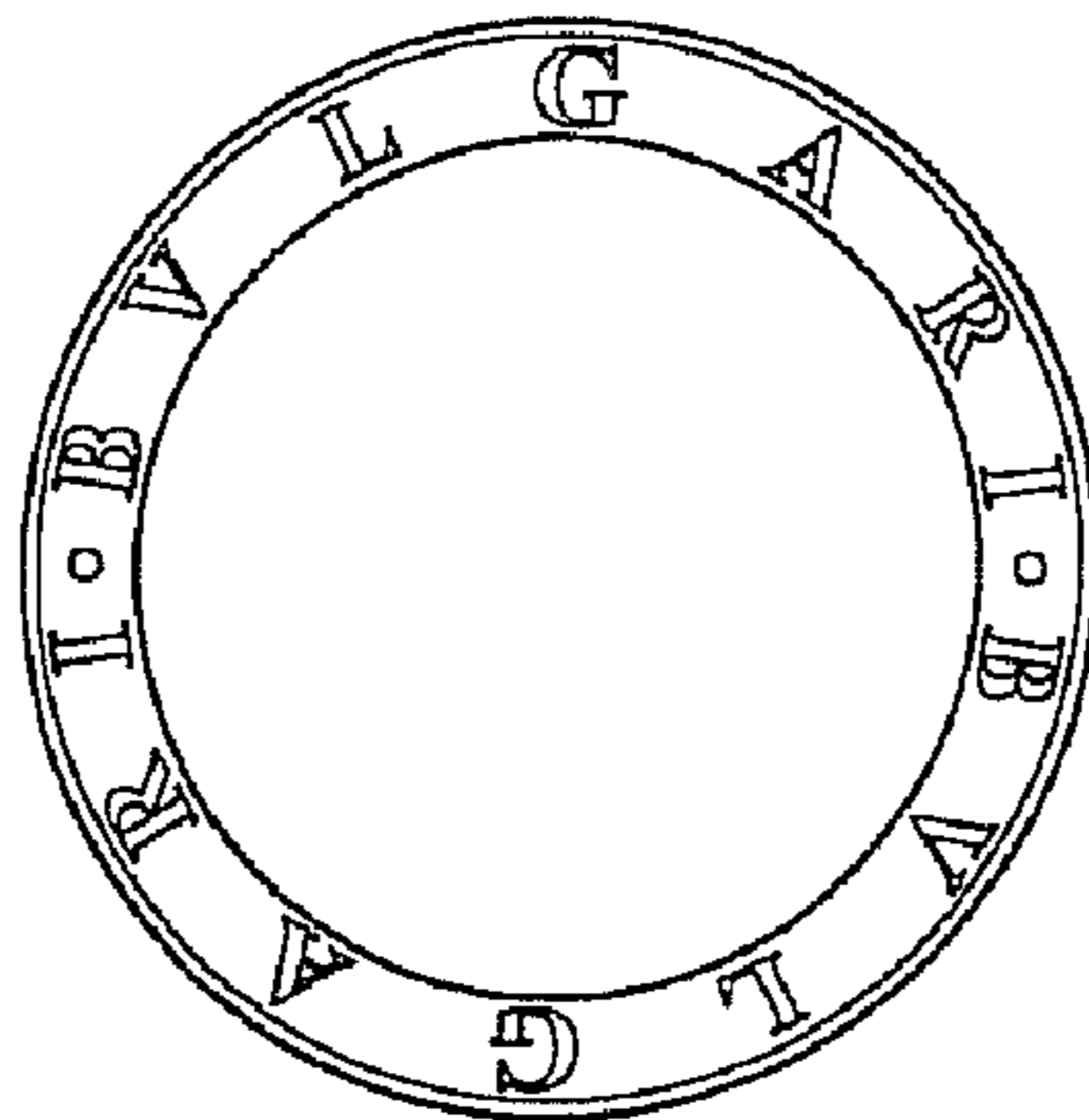


FIG. 4

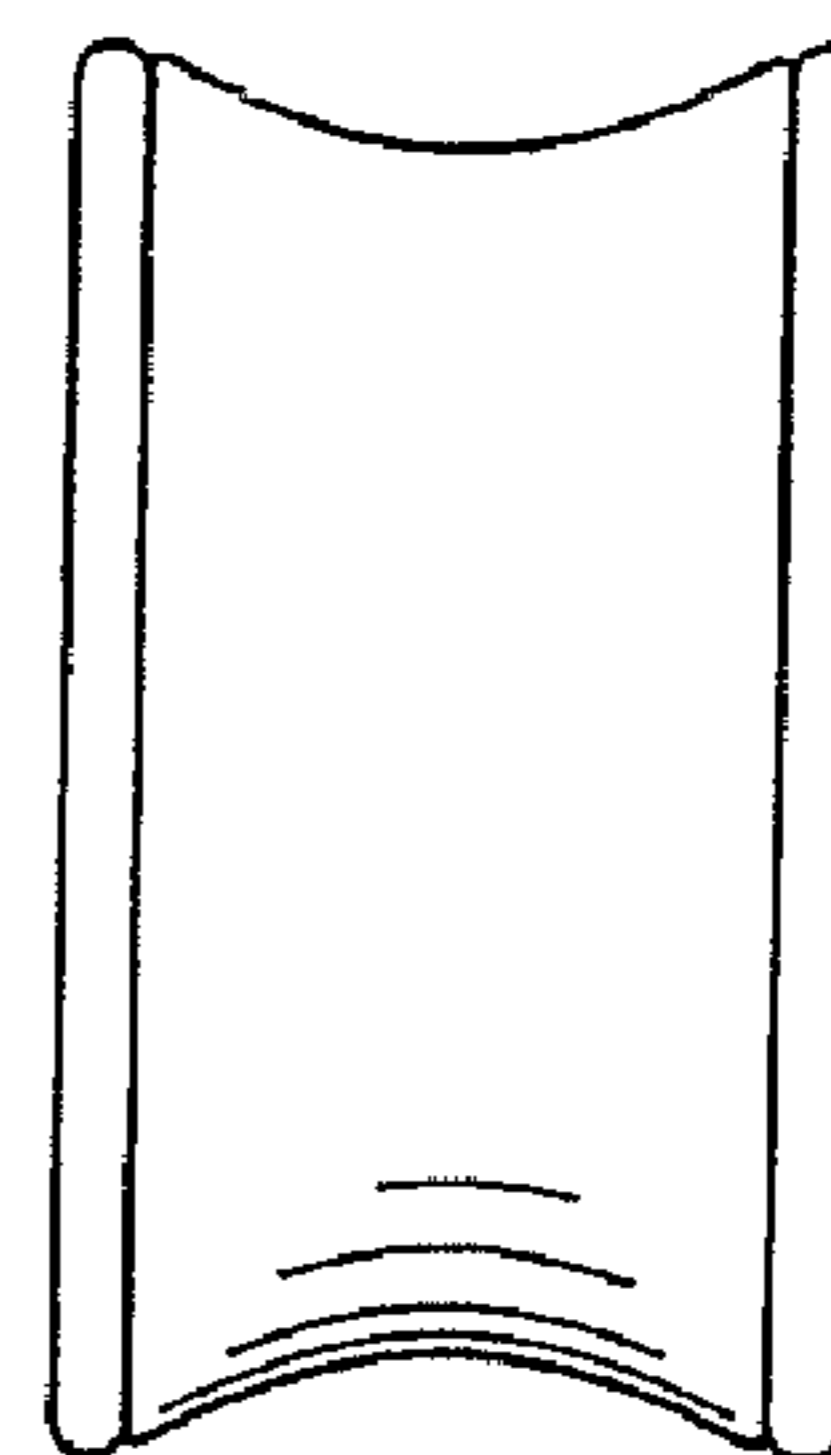


FIG. 7

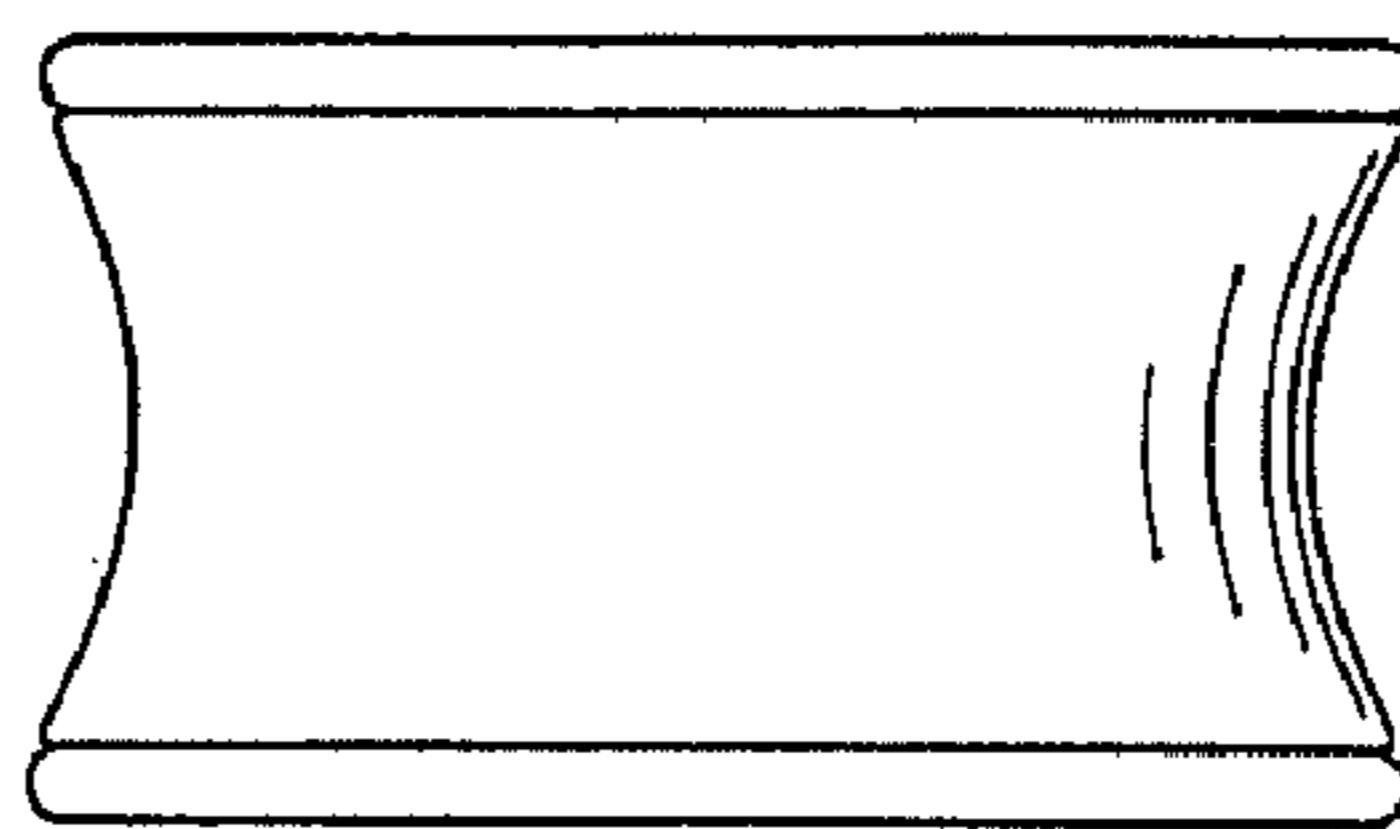


FIG. 5