



US00D632991S

(12) **United States Design Patent**
Caroline

(10) **Patent No.:** **US D632,991 S**

(45) **Date of Patent:** **** Feb. 22, 2011**

(54) **RING**

(76) **Inventor:** **Gaspard Caroline**, 98 rue d'Estreux,
Onnaing (FR) 59264

(**) **Term:** **14 Years**

(21) **Appl. No.:** **29/360,989**

(22) **Filed:** **May 4, 2010**

(30) **Foreign Application Priority Data**

Nov. 13, 2009 (WO) DM/072 607

(51) **LOC (9) Cl.** **11-01**

(52) **U.S. Cl.** **D11/27**

(58) **Field of Classification Search** D11/3-6,
D11/26-39, 73; 63/15, 15.1-15.4, 15.45,
63/15.5, 15.6, 15.65, 15.7, 26-28
See application file for complete search history.

(56) **References Cited**

U.S. PATENT DOCUMENTS

- 2,242,544 A * 5/1941 Porter 63/15.5
- D163,424 S * 5/1951 Simpson D11/27
- D206,684 S * 1/1967 Bevilacqua D16/132
- D244,675 S * 6/1977 Mobell D11/35
- D267,483 S * 1/1983 Wefler D11/30

- D383,996 S * 9/1997 Bulgari D11/26
- D505,633 S * 5/2005 Hardy D11/26
- D564,666 S * 3/2008 Klearman D24/215
- D601,710 S * 10/2009 Klearman D24/215

* cited by examiner

Primary Examiner—Cathron C Brooks

Assistant Examiner—Melanie Levy

(74) *Attorney, Agent, or Firm*—Norris McLaughlin &
Marcus, PA

(57) **CLAIM**

The ornamental design for a ring, as shown and described.

DESCRIPTION

FIG. 1 is a top perspective view of my ring;
 FIG. 2 is a bottom perspective rear view thereof;
 FIG. 3 is a top view thereof;
 FIG. 4 is a rear view thereof, the front view being identical thereto;
 FIG. 5 is a bottom view thereof; and,
 FIG. 6 is a left side view thereof, the right side view being identical thereto.

1 Claim, 3 Drawing Sheets

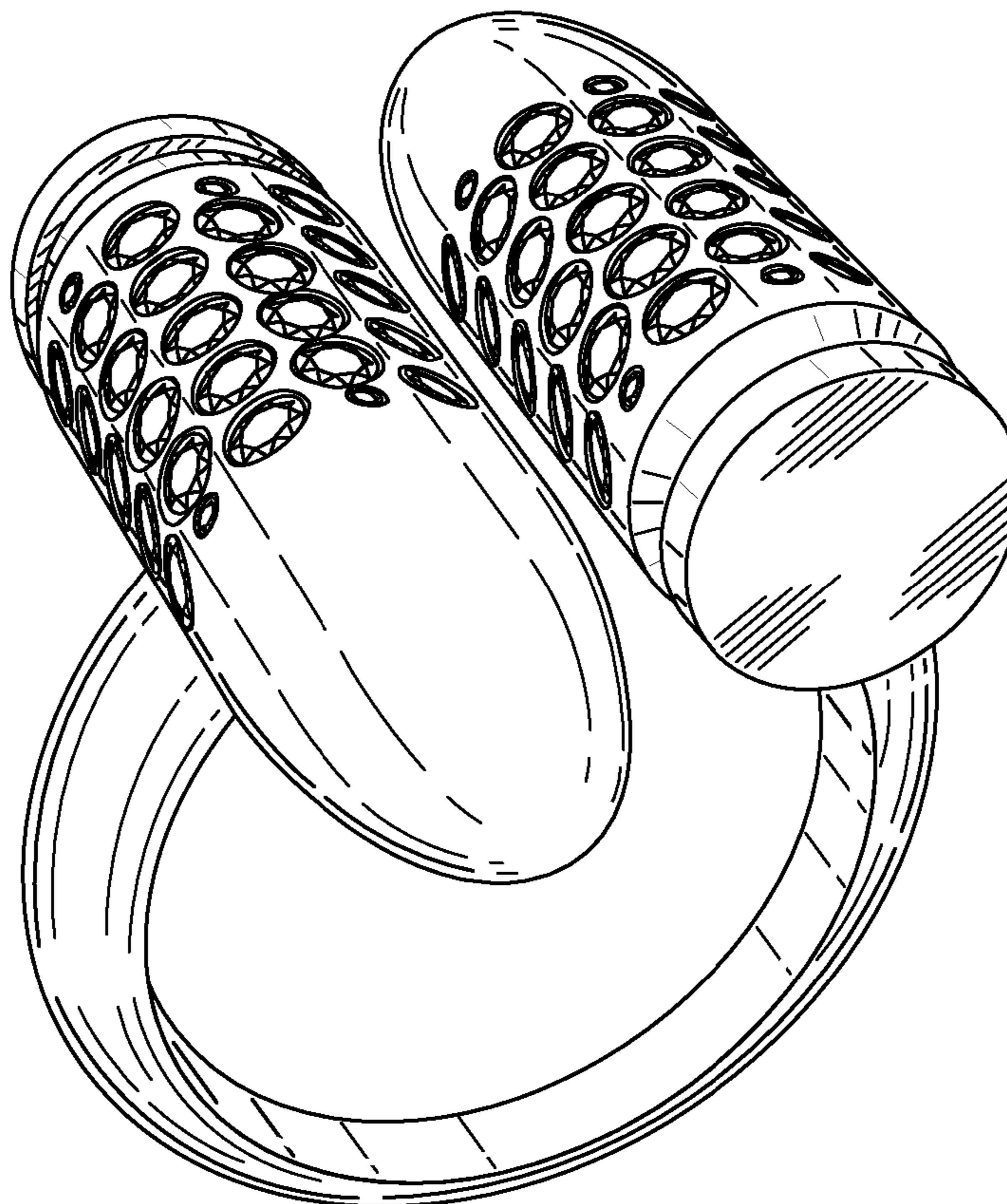


FIG. 1

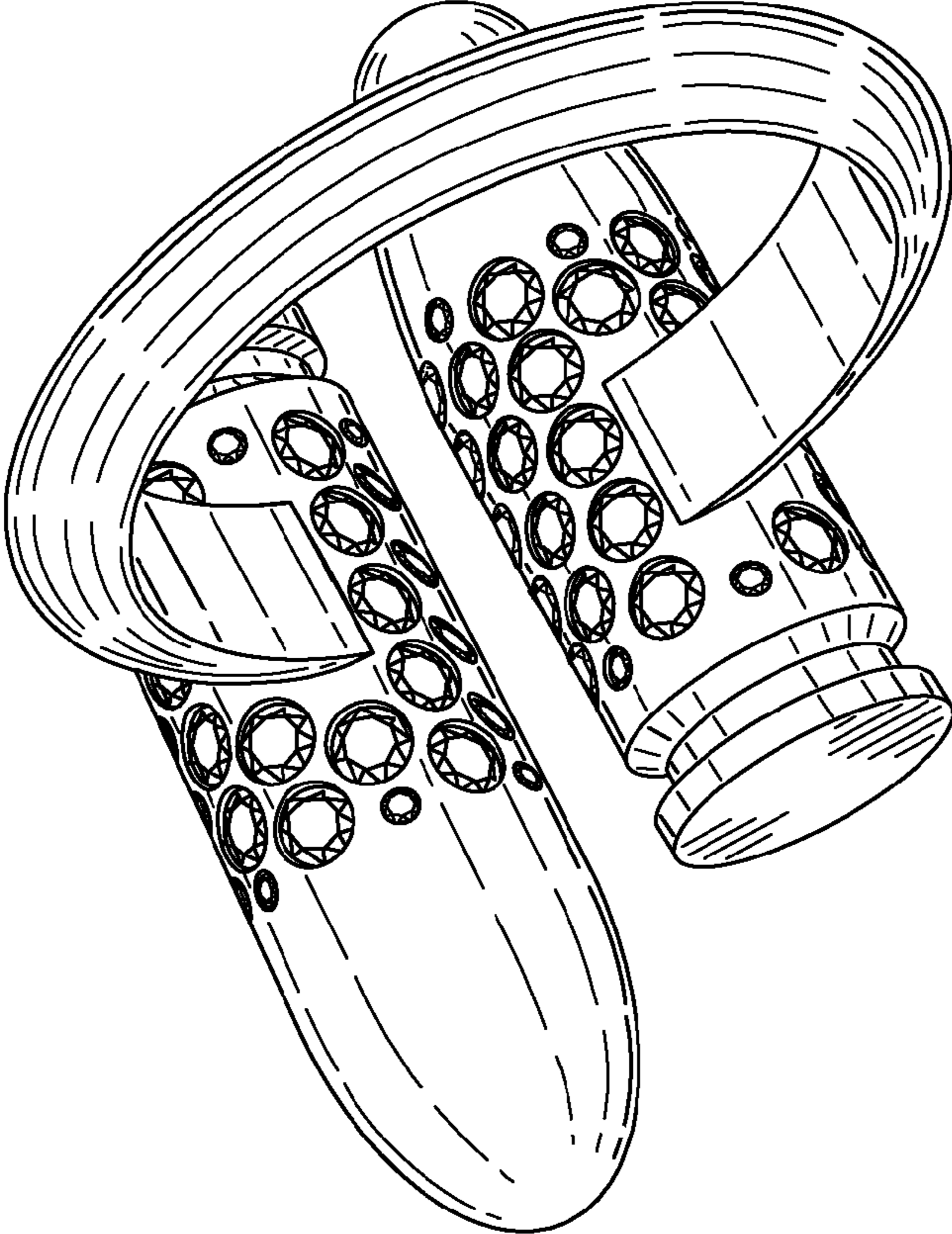
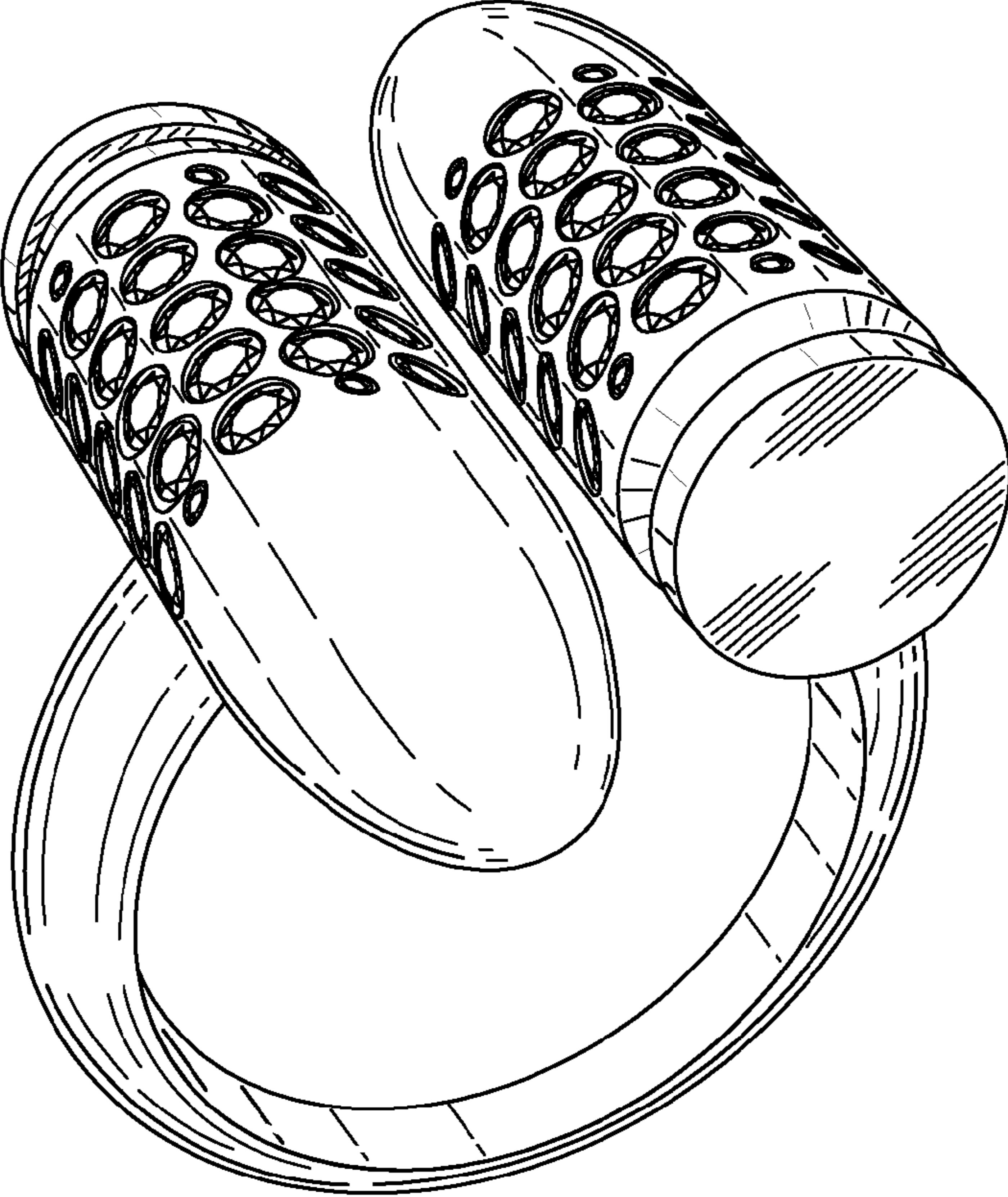


FIG. 2

FIG. 3

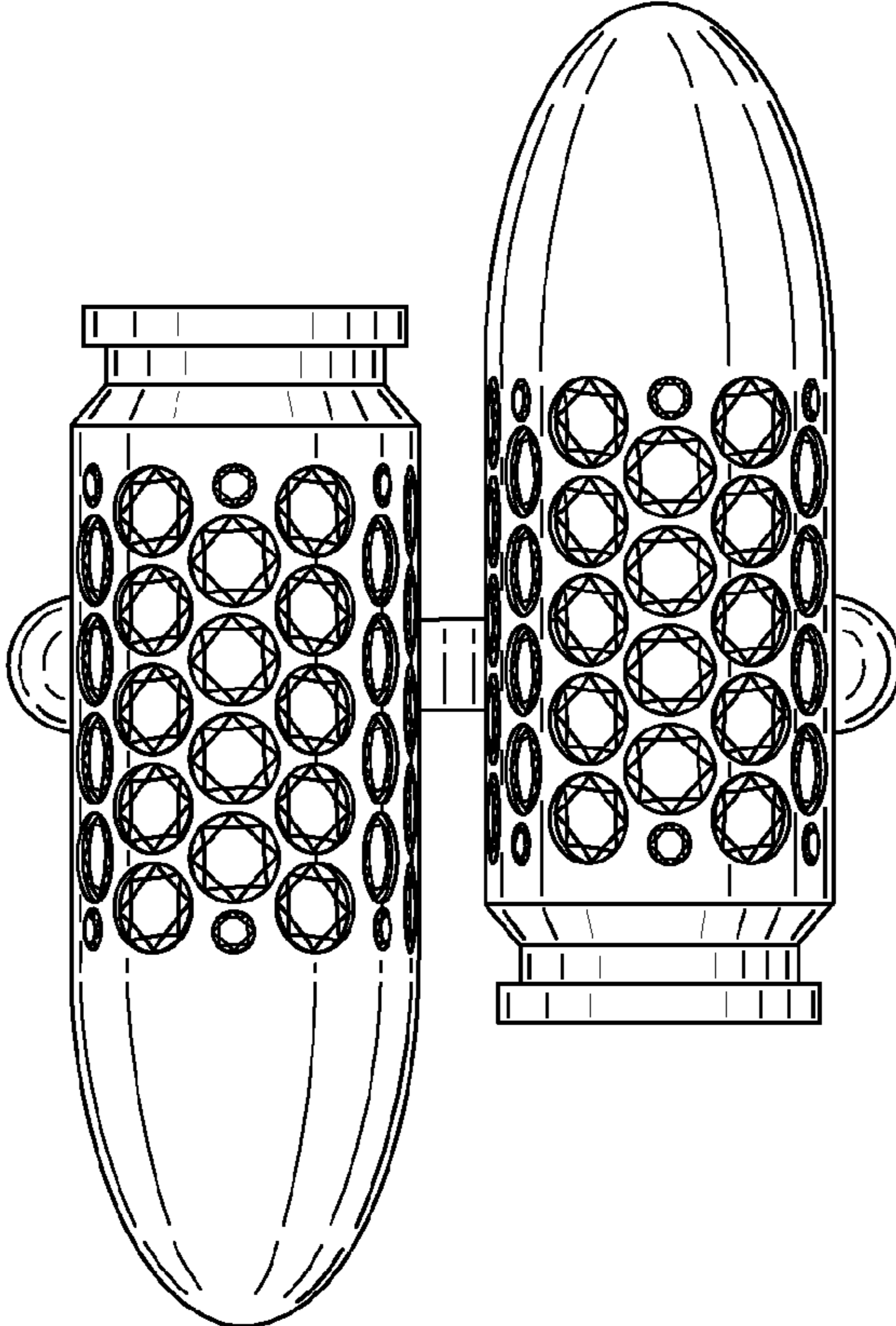


FIG. 4

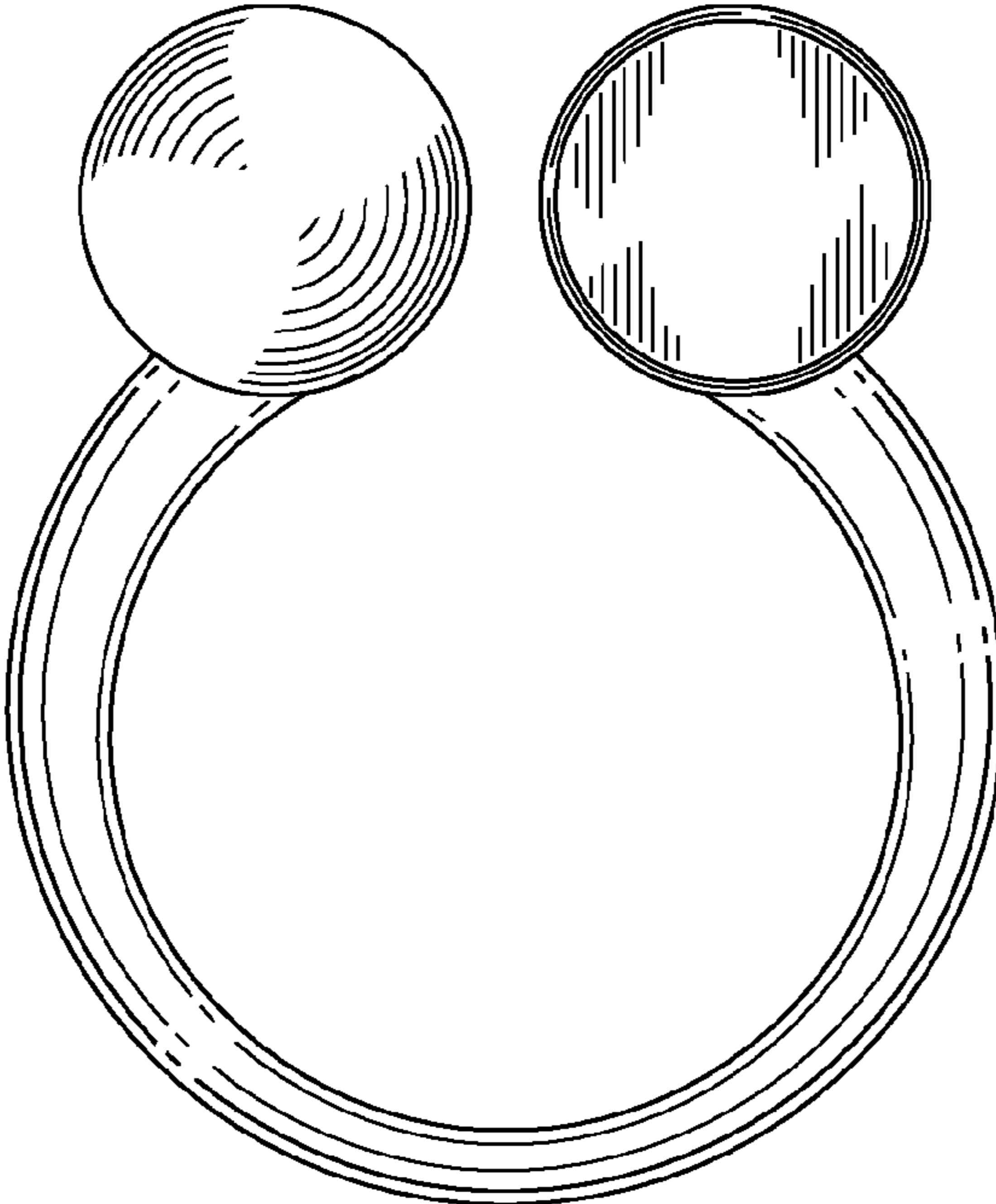


FIG. 5

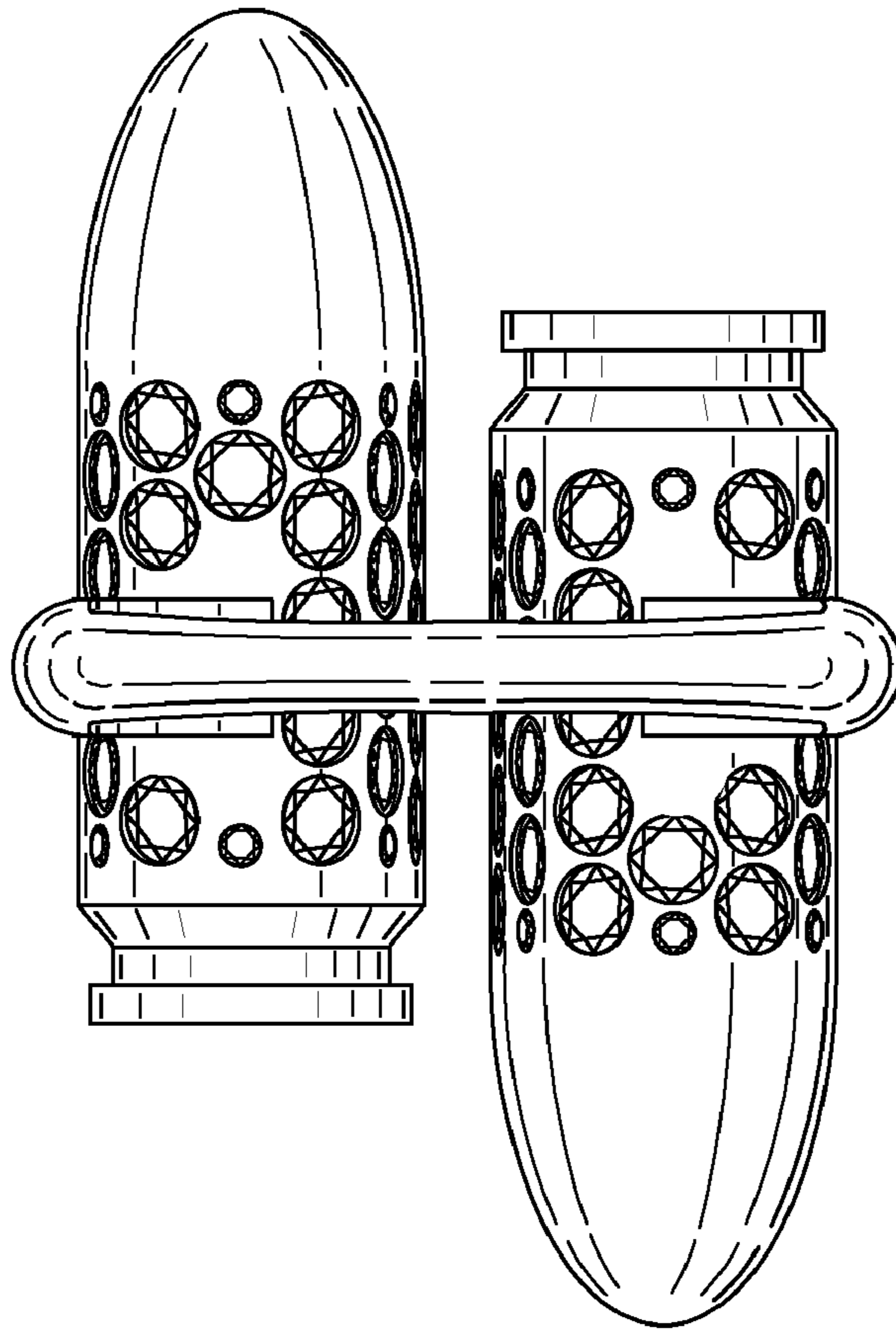


FIG. 6

