



US00D632987S

(12) **United States Design Patent**
Wilson et al.

(10) **Patent No.:** **US D632,987 S**

(45) **Date of Patent:** **** Feb. 22, 2011**

(54) **RIGHT-HANDED MEASURING TAPE WITH A SLIDING MAGNIFIER**

(76) Inventors: **H. Robert Wilson**, 4130 Julington Creek Rd., Jacksonville, FL (US) 32223;
Debora M. Wilson, 4130 Julington Creek Rd., Jacksonville, FL (US) 32223

(**) Term: **14 Years**

(21) Appl. No.: **29/355,166**

(22) Filed: **Feb. 3, 2010**

(51) **LOC (9) Cl.** **10-04**

(52) **U.S. Cl.** **D10/74; D10/71**

(58) **Field of Classification Search** D10/71, D10/72, 74; D16/135; D26/120; 33/483-494, 33/760-770; 235/70 B; 359/809, 810, 813
See application file for complete search history.

(56) **References Cited**

U.S. PATENT DOCUMENTS

1,260,454	A *	3/1918	Richardson	235/70 B
1,798,953	A *	3/1931	Rennicke	359/442
2,005,362	A *	6/1935	Clausen	359/442
2,136,169	A *	11/1938	Keuffel	235/70 B
2,594,857	A *	4/1952	Boos	235/70 B
2,634,912	A *	4/1953	Davey	235/70 B
2,736,097	A	2/1956	Coleman, Jr.		
3,205,584	A	9/1965	Overaa		
3,270,421	A	9/1966	Jones		
D253,045	S *	10/1979	Rizer	D10/71
D263,721	S *	4/1982	Miller	D10/74
4,972,600	A	11/1990	Nosek		
D320,168	S *	9/1991	Archer	D10/74
5,335,421	A	8/1994	Jones, Jr.		

5,768,797	A	6/1998	Trevino
6,070,338	A	6/2000	Garity
6,226,886	B1	5/2001	Lamond et al.
RE37,212	E	6/2001	Marshall
D464,277	S	10/2002	Tarver, III
6,523,275	B2	2/2003	Medford et al.
6,637,125	B2	10/2003	Scarborough
6,994,289	B2	2/2006	Liao
2006/0112583	A1	6/2006	Sullivan

* cited by examiner

Primary Examiner—Antoine D Davis

(74) *Attorney, Agent, or Firm*—Montgomery Patent & Design; Robert C. Montgomery

(57) **CLAIM**

The ornamental design for a right-handed measuring tape with a sliding magnifier, as shown.

DESCRIPTION

FIG. 1 is a top perspective view of a right-handed measuring tape;

FIG. 2 is a bottom perspective view thereof;

FIG. 3 is a top view of a first section thereof;

FIG. 4 is a top view of a second section thereof;

FIG. 5 is a top view of a third section thereof;

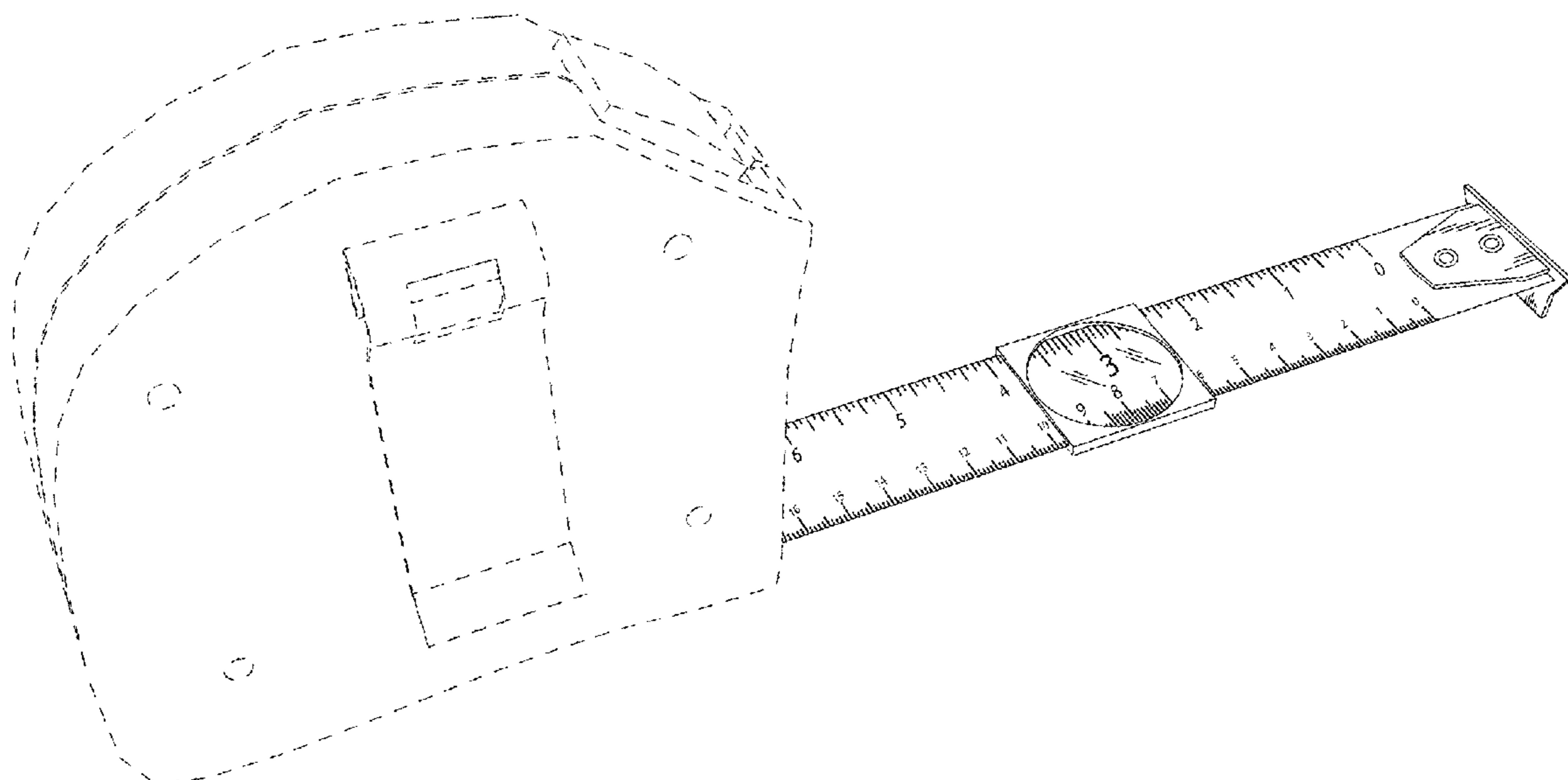
FIG. 6 is a bottom view of a first section thereof;

FIG. 7 is a bottom view of a second section thereof; and,

FIG. 8 is a bottom view of a third section thereof.

The broken lines are for illustrative purposes only and forms no part of the claimed design.

1 Claim, 4 Drawing Sheets



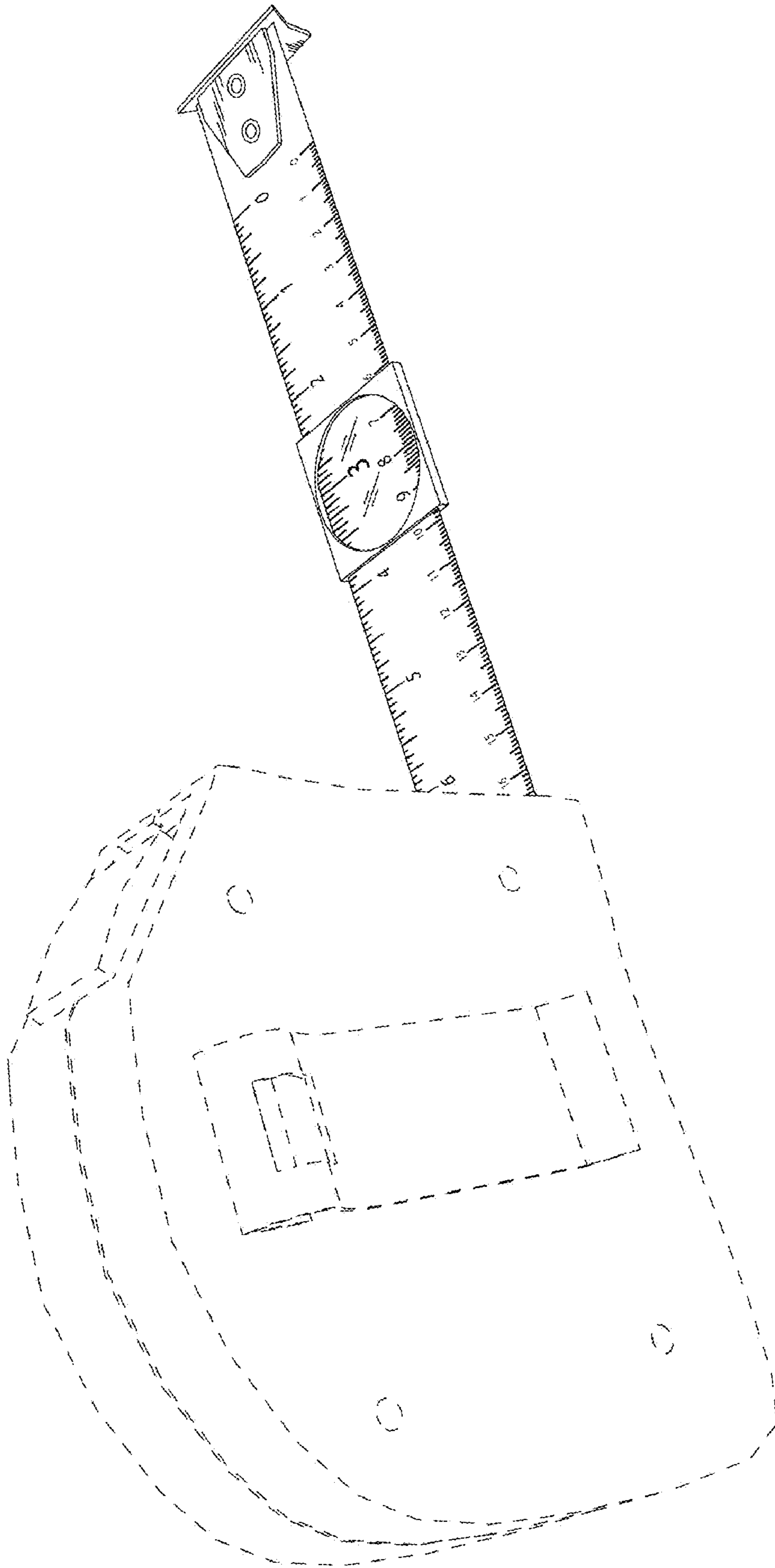


Fig. 1

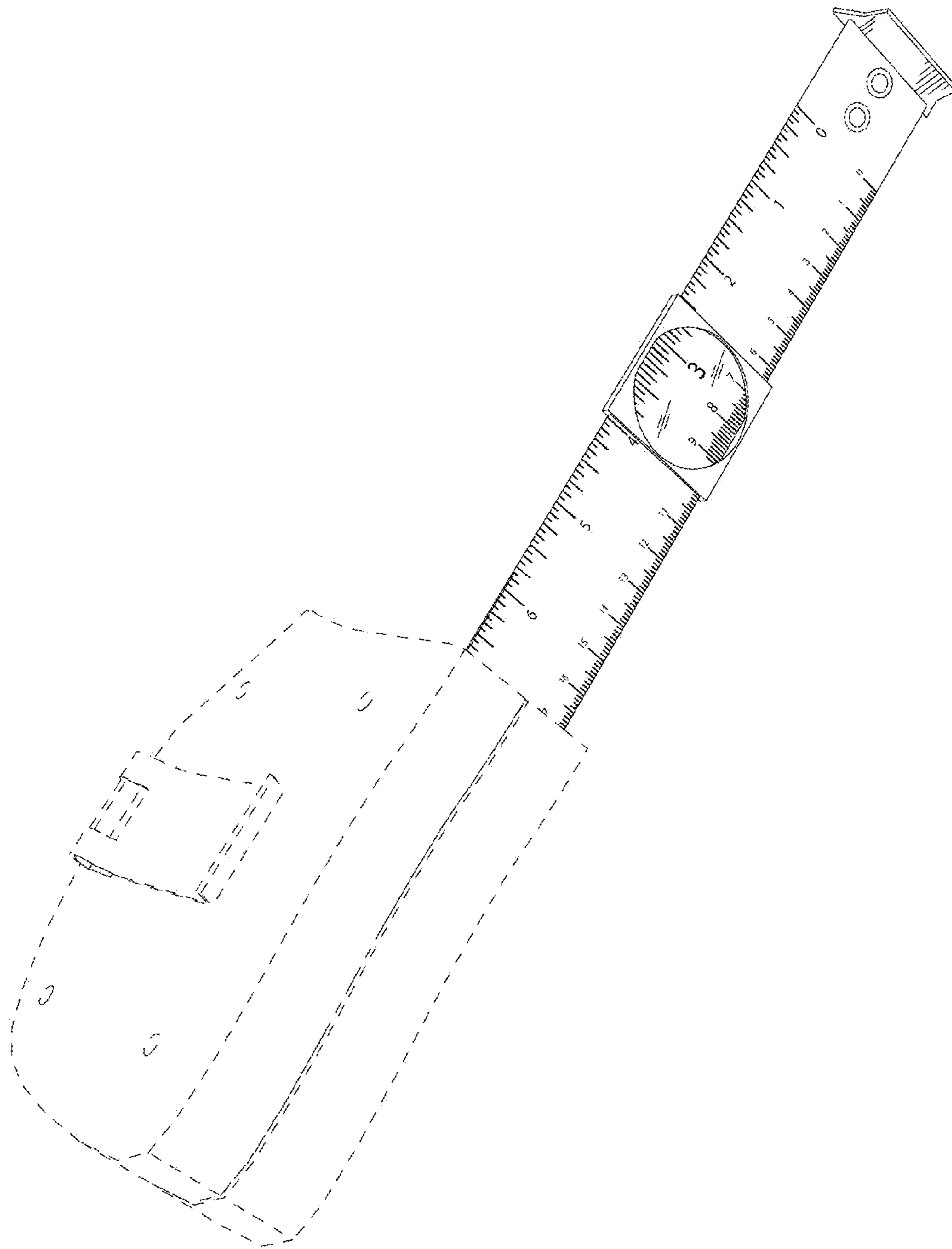


Fig. 2

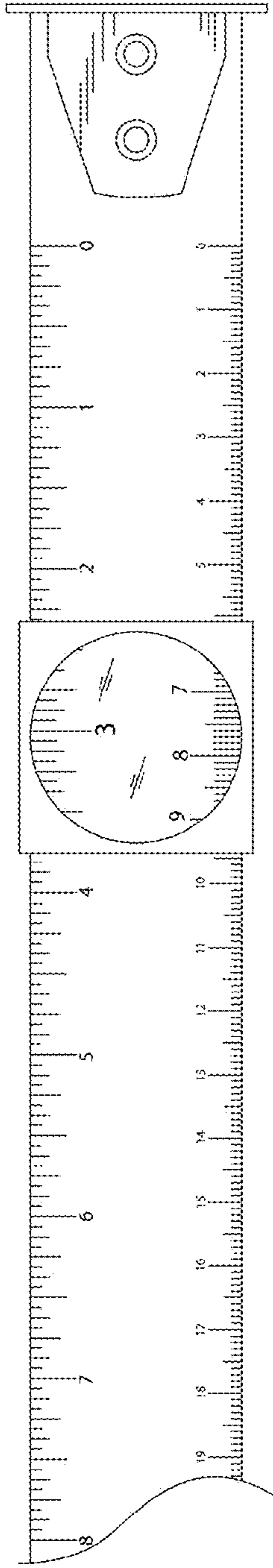


Fig. 3

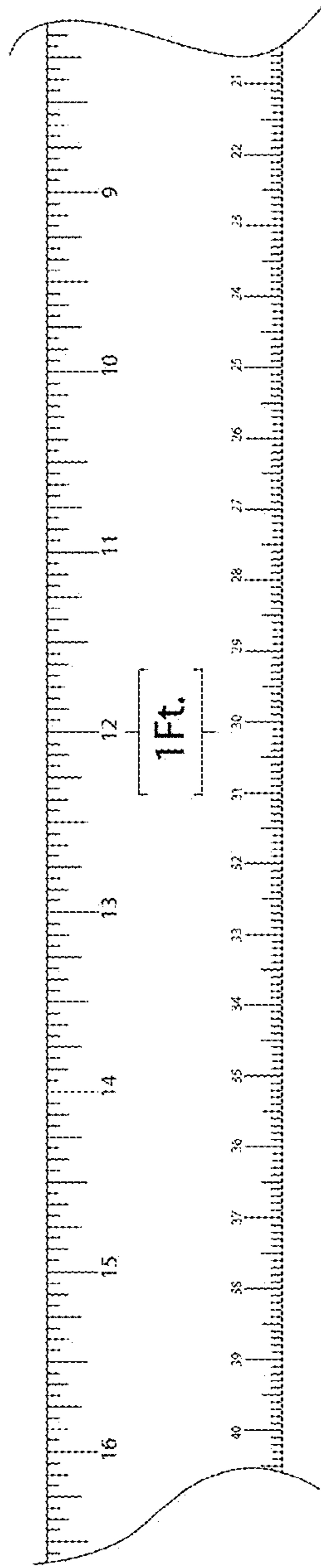


Fig. 4

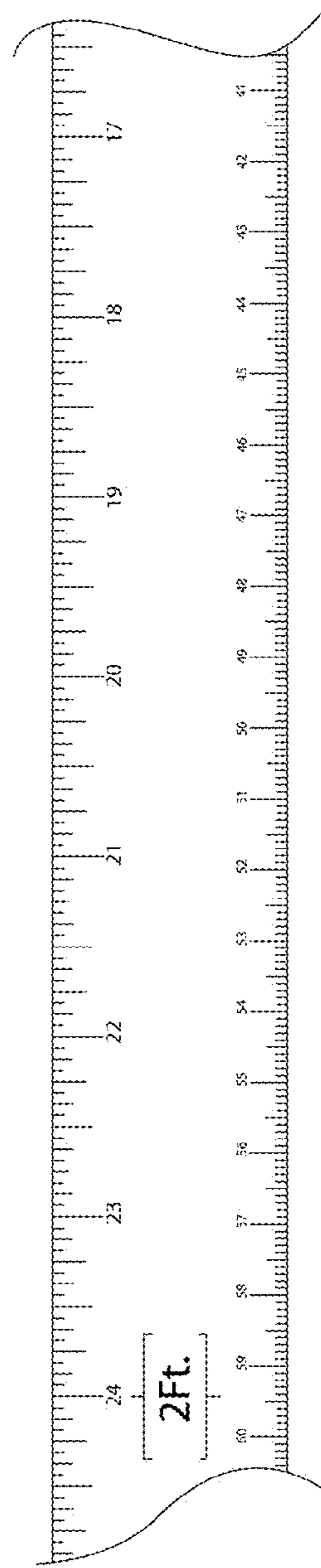


Fig. 5

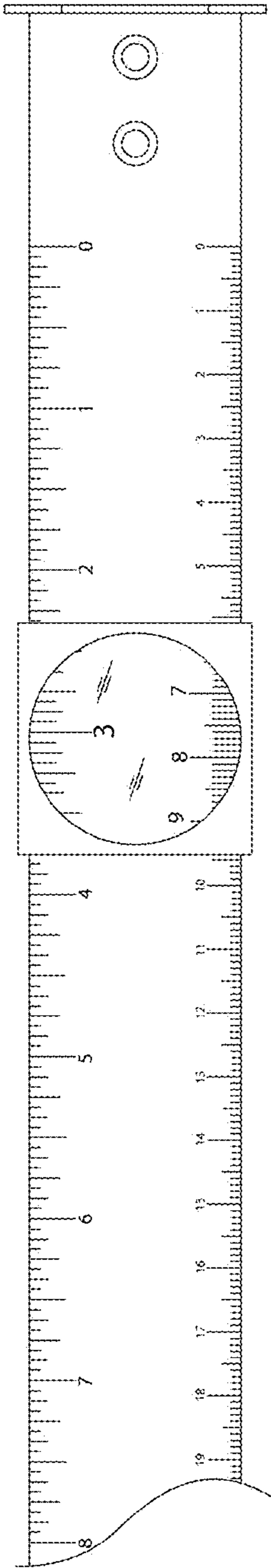


Fig. 6

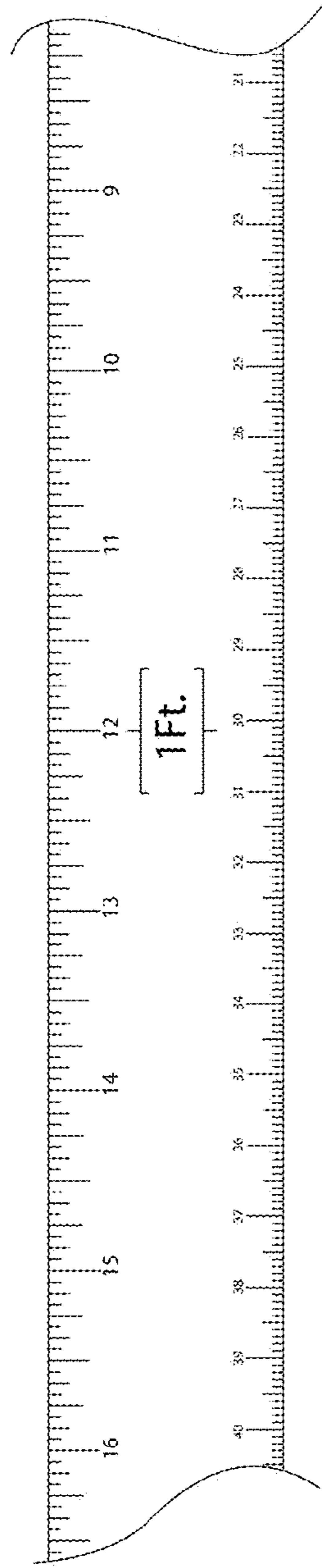


Fig. 7

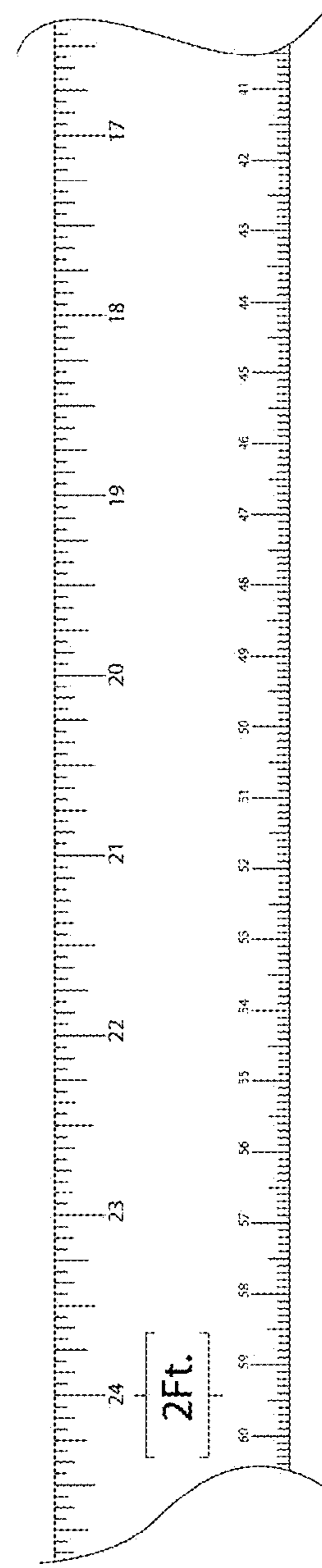


Fig. 8