



US00D632985S

(12) **United States Design Patent**
Scheyer

(10) **Patent No.:** **US D632,985 S**

(45) **Date of Patent:** **** Feb. 22, 2011**

(54) **OPTICAL BEAM LEVELING INSTRUMENT**

D587,149 S * 2/2009 Ishii et al. D10/66
D609,124 S * 2/2010 Ishii et al. D10/69
D612,753 S * 3/2010 Ishii et al. D10/66

(75) Inventor: **Wolfgang Scheyer**, Götzis (AT)

(73) Assignee: **SOLA Messwerkzeuge GmbH**, Goetzis (AT)

* cited by examiner

(**) Term: **14 Years**

Primary Examiner—Antoine D Davis
(74) *Attorney, Agent, or Firm*—Laurence A. Greenberg;
Werner H. Stemer; Ralph E. Locher

(21) Appl. No.: **29/352,504**

(22) Filed: **Dec. 22, 2009**

(57) **CLAIM**

(51) **LOC (9) Cl.** **10-04**

The ornamental design for an optical beam leveling instrument, as shown and described.

(52) **U.S. Cl.** **D10/66; D10/69**

(58) **Field of Classification Search** D10/66,
D10/69; 33/276, 277, 281, 285, 286, 290,
33/291–299, DIG. 21; 340/539, 825.36,
340/825.46, 825.49; 356/5.15, 4.01, 5.01,
356/4.05, 5.05–5.09, 5.12, 28.5, 345, 375,
356/3.01, 128–155, 399–400; 385/83, 97–99,
385/134–139; 701/211–213, 150, 158; 264/1.24–1.25
See application file for complete search history.

DESCRIPTION

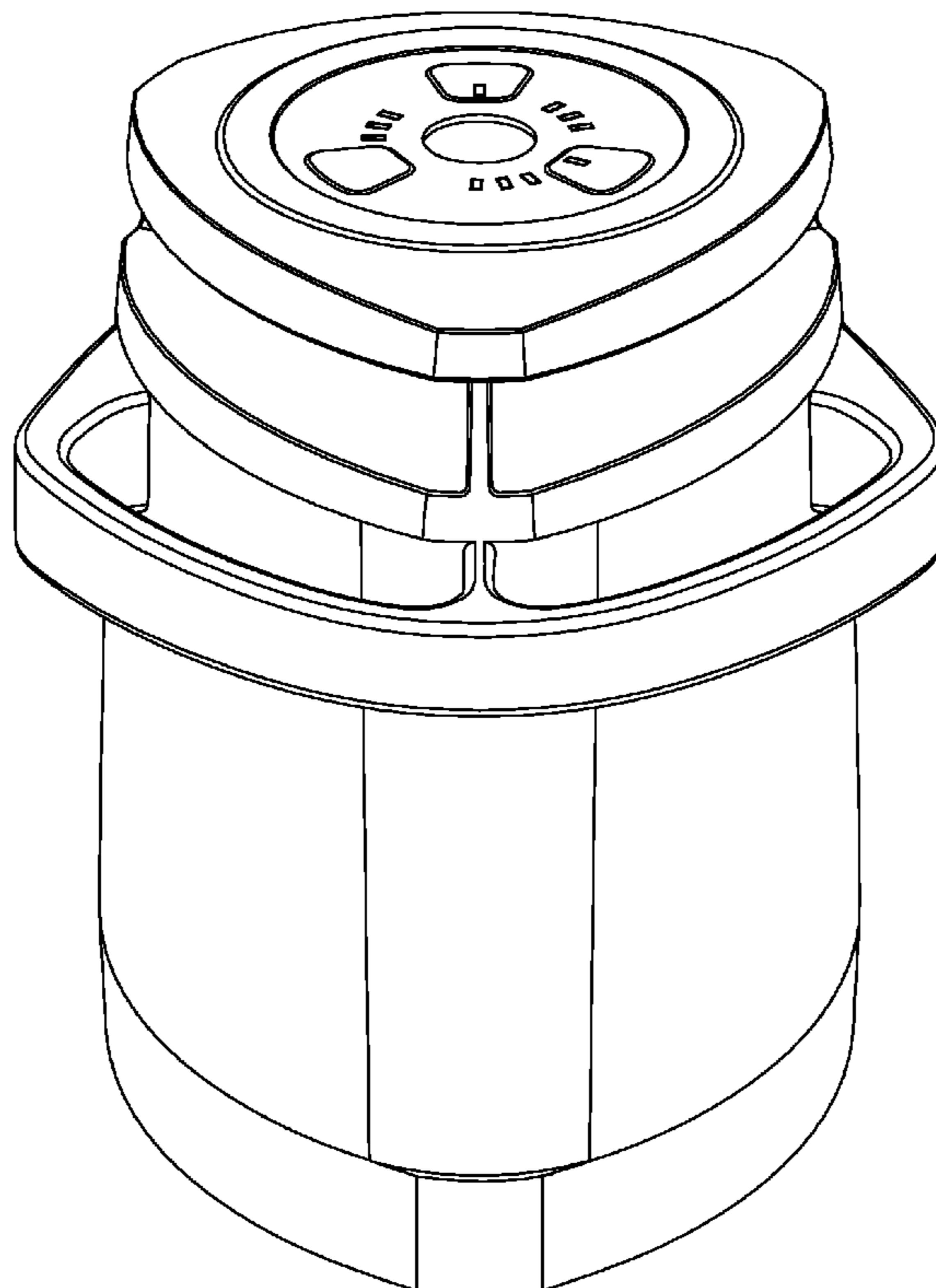
FIG. 1 is a left side elevational view of an optical beam leveling instrument, showing my new design;
FIG. 2 is a right side elevational view thereof;
FIG. 3 is a front elevational view thereof;
FIG. 4 is a rear elevational view thereof;
FIG. 5 is a bottom view thereof;
FIG. 6 is a top plan view thereof;
FIG. 7 is a top perspective view thereof; and,
FIG. 8 is a bottom perspective view thereof.

(56) **References Cited**

U.S. PATENT DOCUMENTS

D469,738 S * 2/2003 Ishii D10/66
D509,180 S * 9/2005 Murray et al. D10/69
D561,621 S * 2/2008 Ishii et al. D10/66

1 Claim, 8 Drawing Sheets



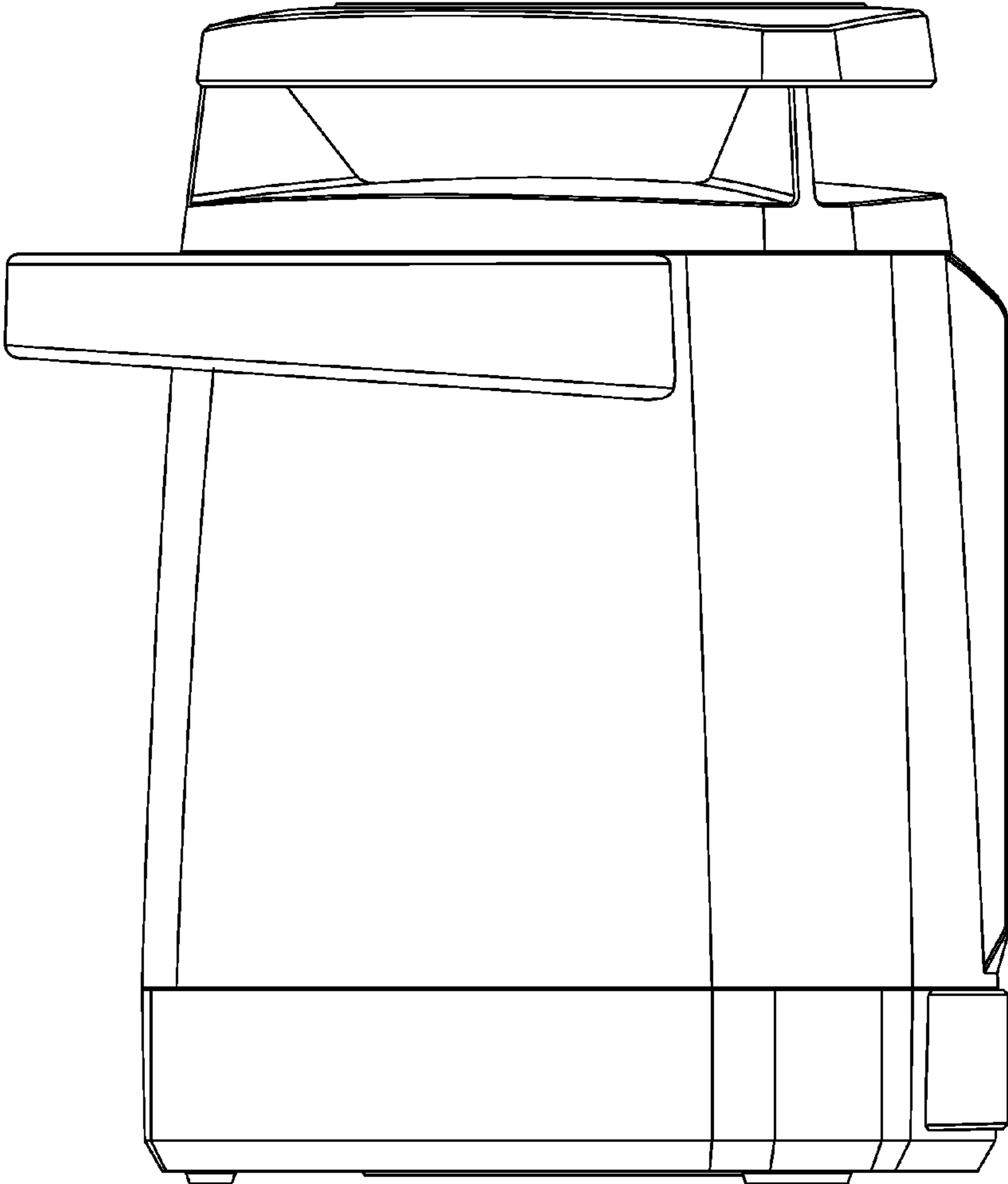


FIG. 1

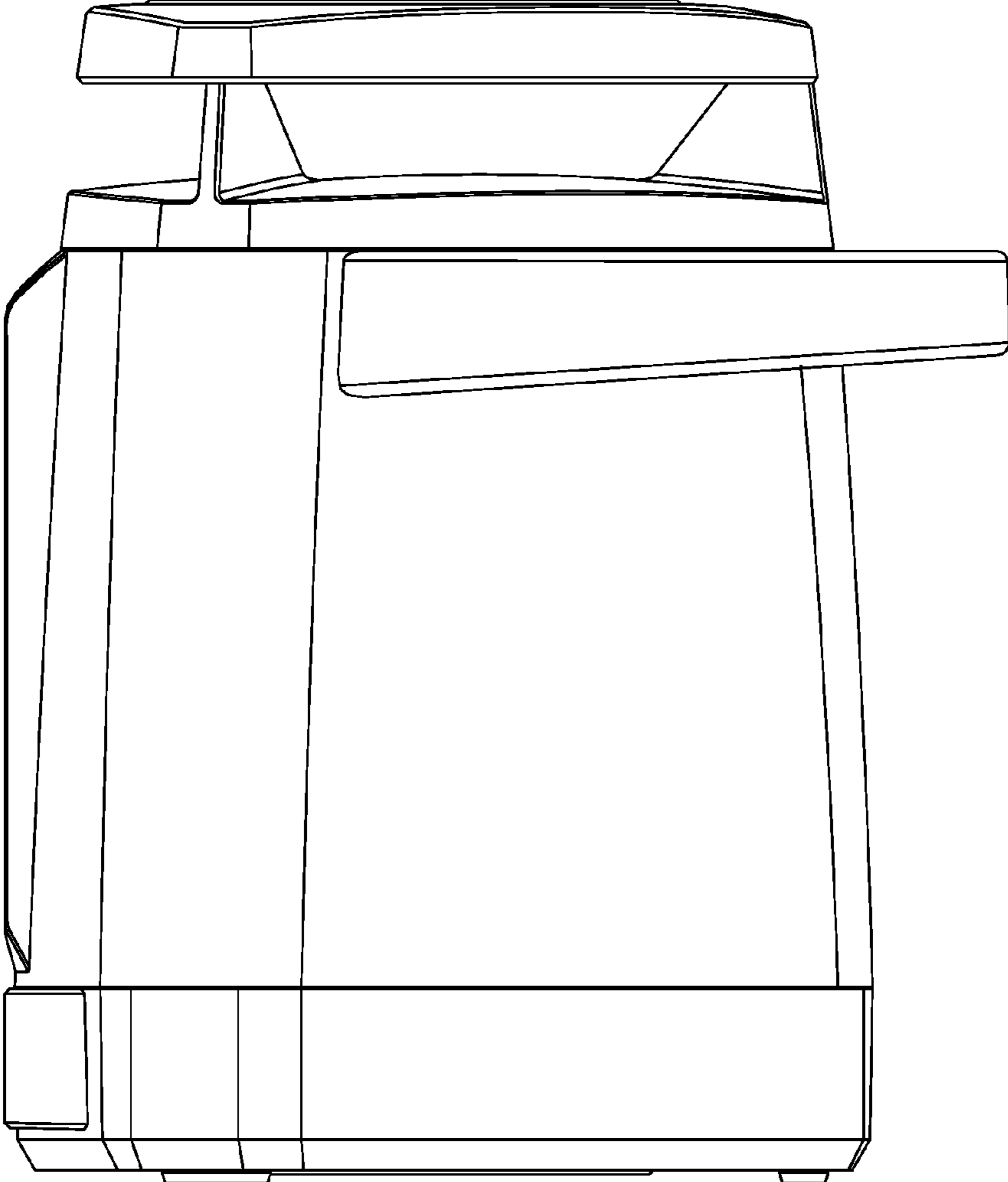


FIG. 2

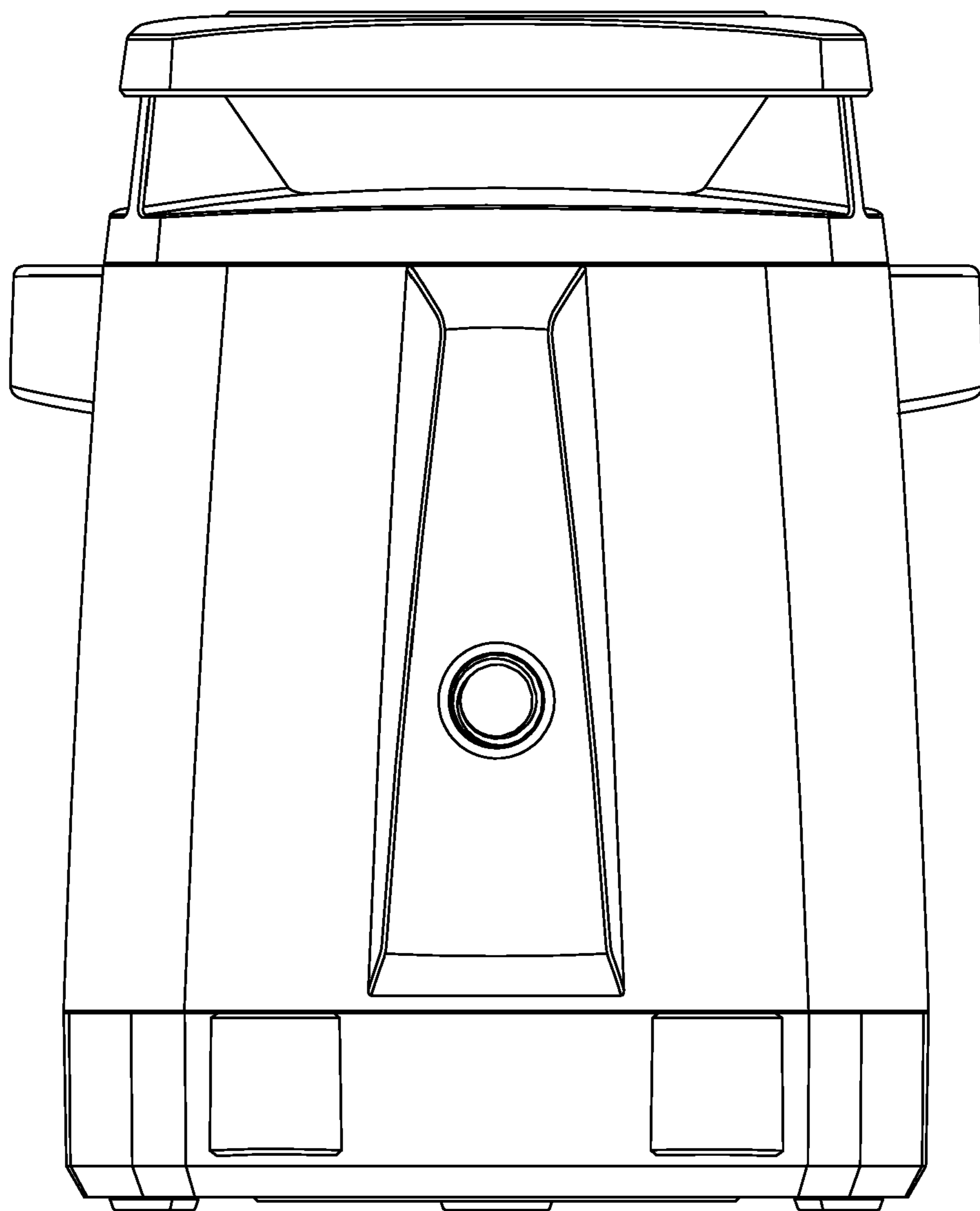


FIG. 3

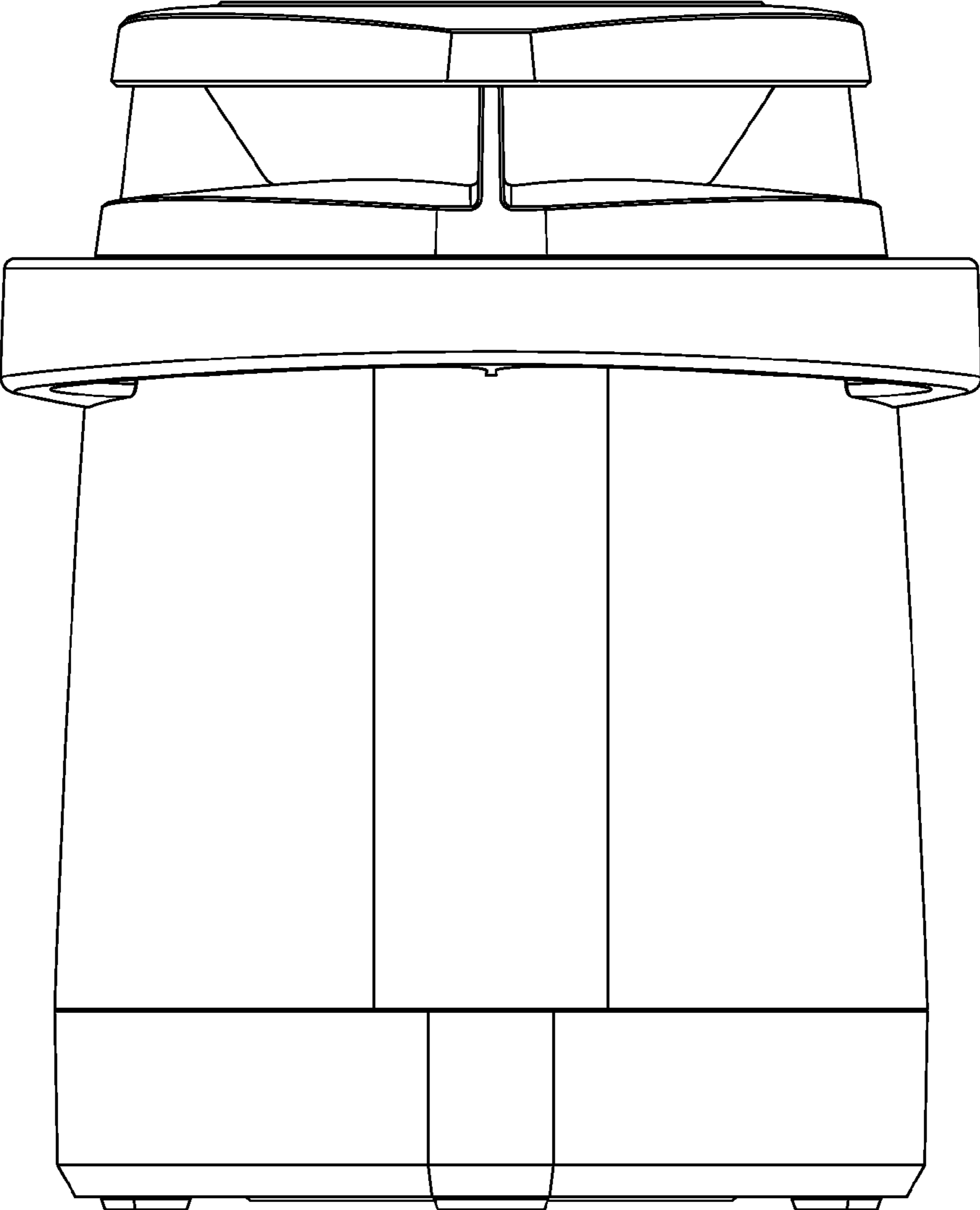


FIG. 4

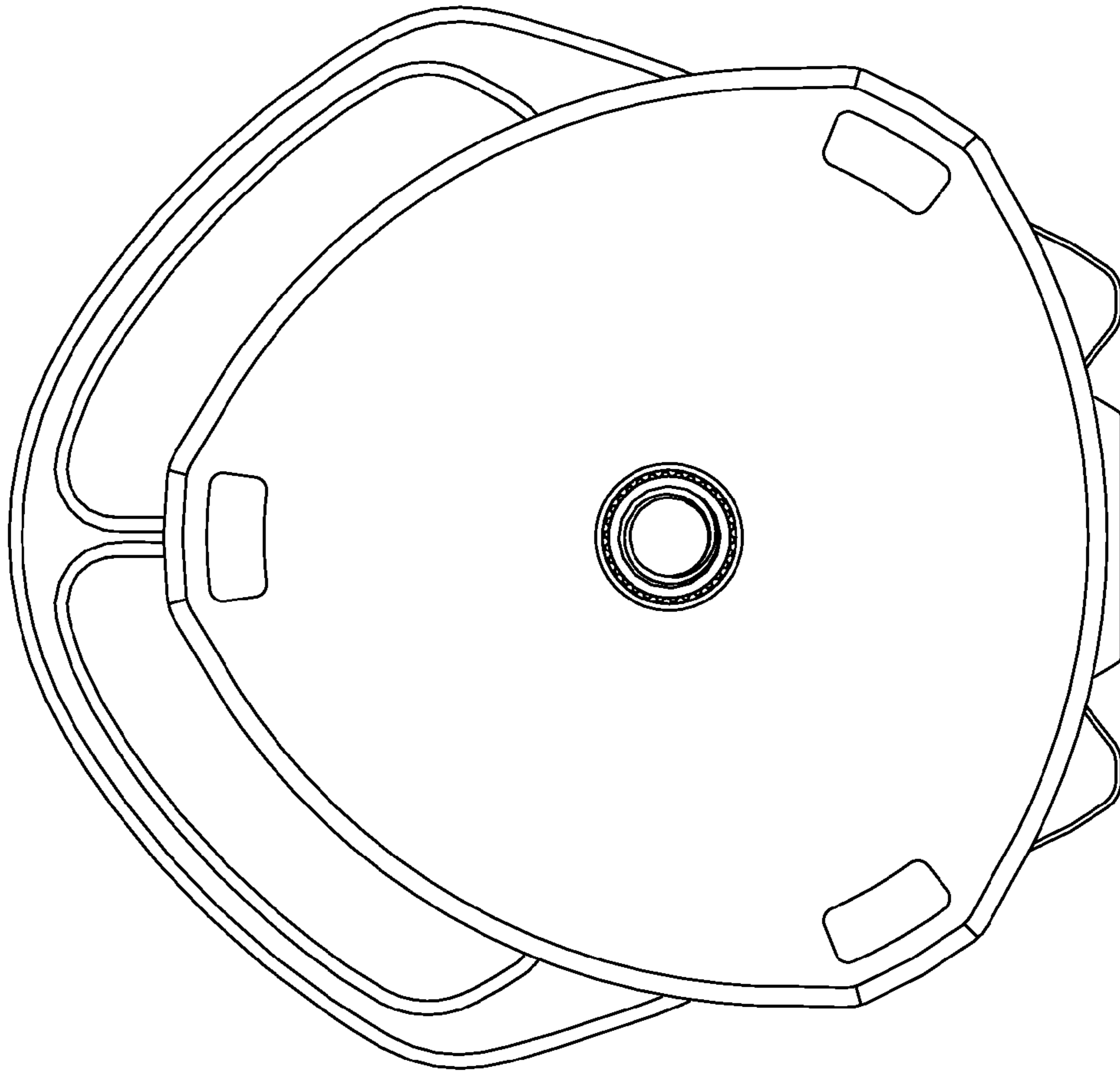


FIG. 5

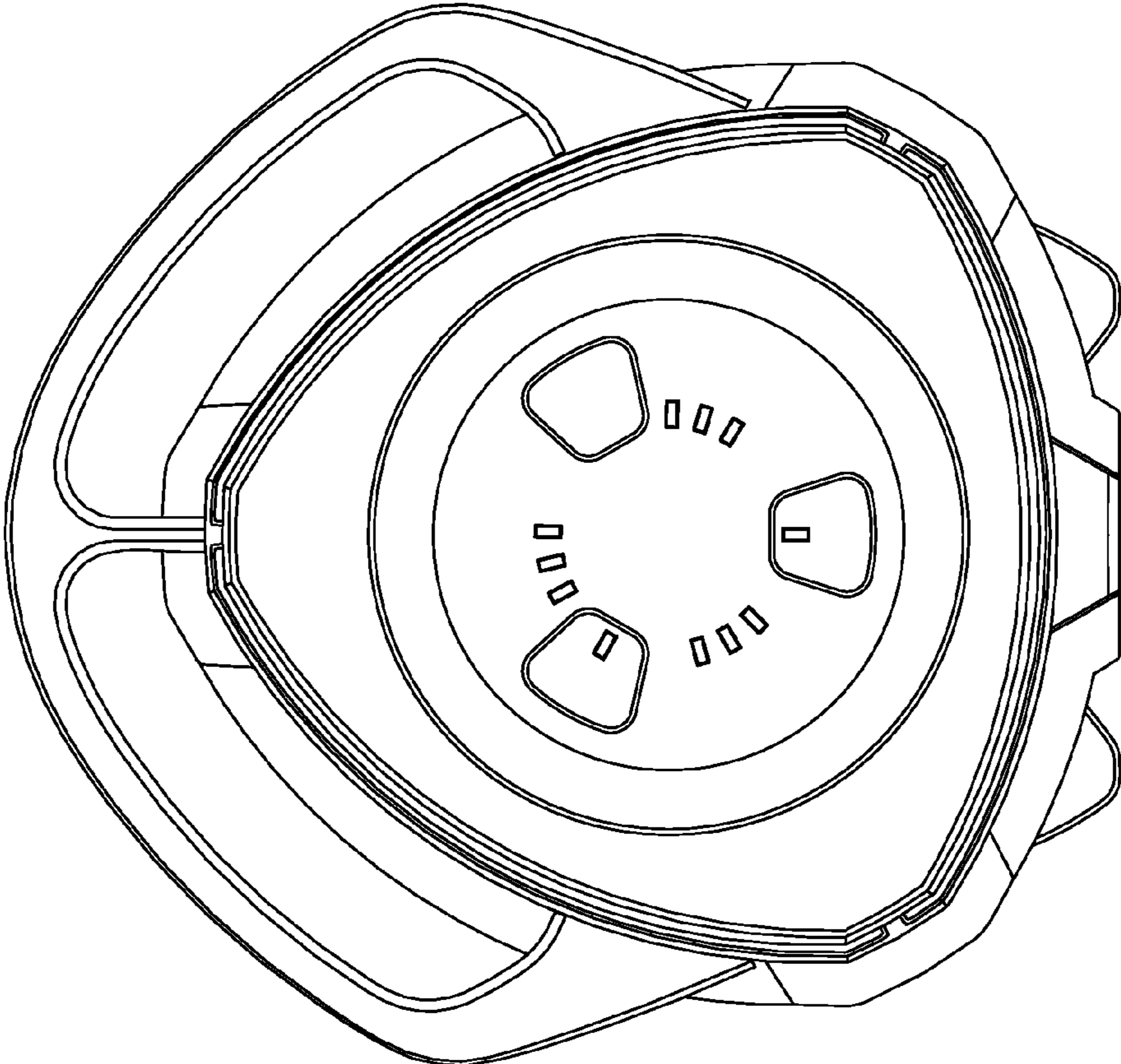


FIG. 6

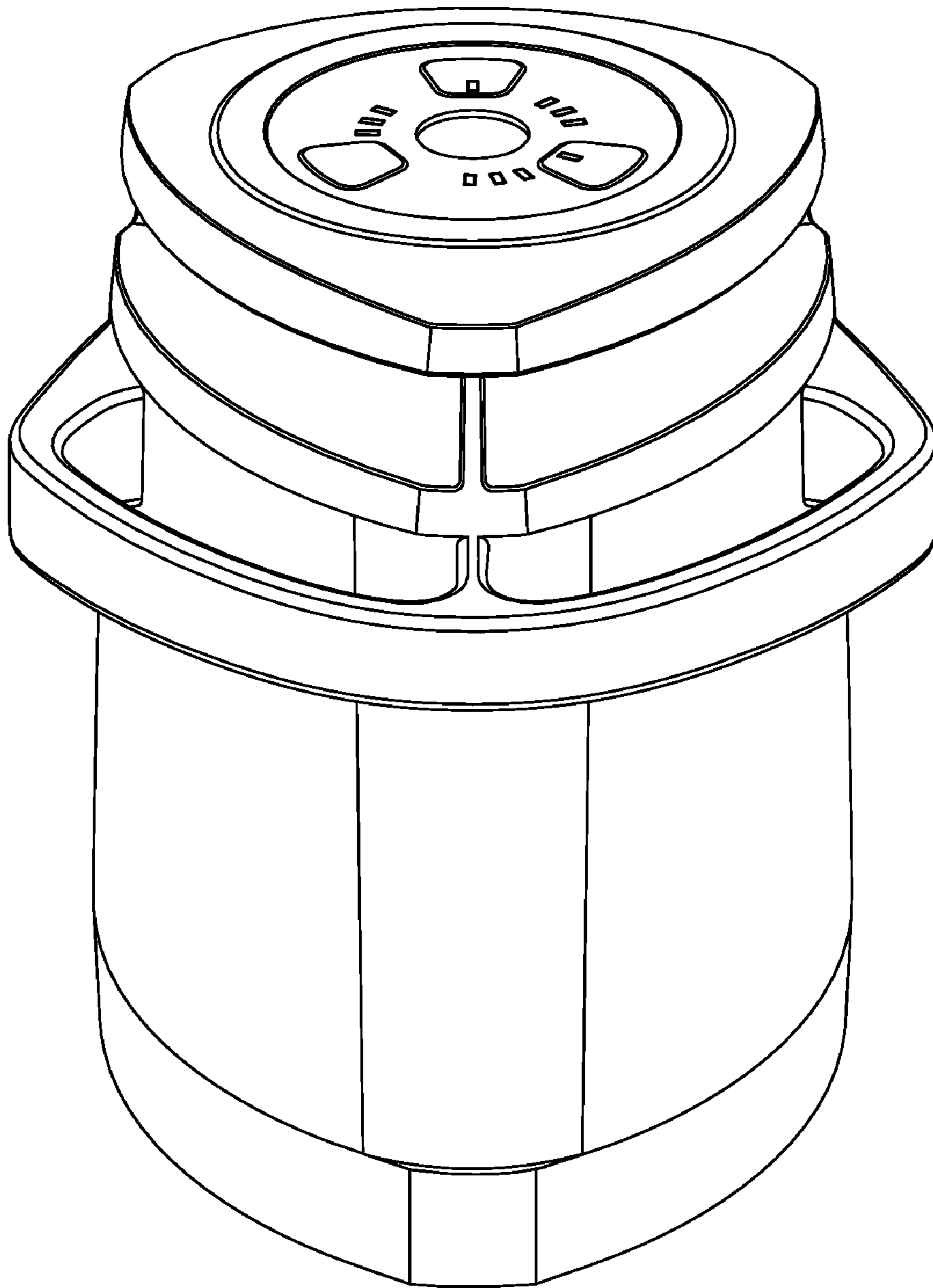


FIG. 7

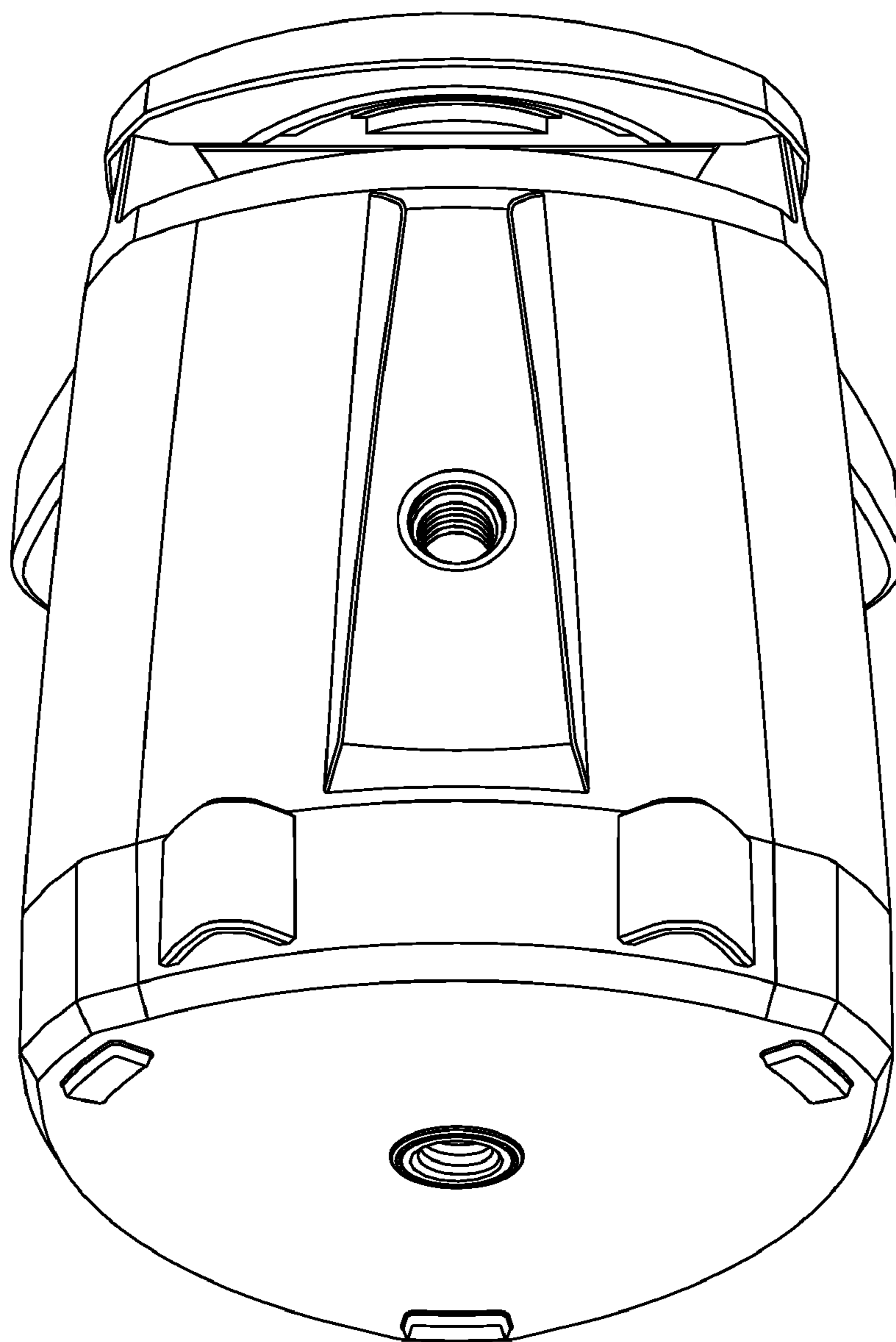


FIG. 8