



US00D632982S

(12) **United States Design Patent**
Martin

(10) **Patent No.:** **US D632,982 S**

(45) **Date of Patent:** **** Feb. 22, 2011**

(54) **DOUBLE OUTLET TEMPLATE**

D456,287 S * 4/2002 Ferruggia D10/64
6,463,668 B1 10/2002 Williams
7,363,720 B2 4/2008 DiGavero et al.

(76) Inventor: **Mitchell Martin**, 160 Hillpine Rd.,
Cheektowaga, NY (US) 14227

* cited by examiner

(**) Term: **14 Years**

Primary Examiner—Antoine D Davis

(21) Appl. No.: **29/355,844**

(74) *Attorney, Agent, or Firm*—Vincent G. LoTempio; Kloss,
Stenger & LoTempio

(22) Filed: **Feb. 15, 2010**

(57) **CLAIM**

(51) **LOC (9) Cl.** **10-04**

The ornamental design for a double outlet template, as shown
and described.

(52) **U.S. Cl.** **D10/64**

(58) **Field of Classification Search** D10/64;
33/562–563, 669–670, DIG. 10

See application file for complete search history.

DESCRIPTION

(56) **References Cited**

FIG. 1 is a perspective view of the double outlet template with
environment;

U.S. PATENT DOCUMENTS

FIG. 2 is a perspective view of my design;

4,335,511 A	6/1982	Bowling	
4,339,973 A *	7/1982	Lawrence	83/30
4,589,211 A *	5/1986	Policka	33/669
4,802,284 A	2/1989	Jackson	
4,907,711 A	3/1990	Stuchlik, III	
4,953,733 A	9/1990	Loscuito	
5,040,304 A	8/1991	Jackson	
5,491,902 A *	2/1996	Uhrin et al.	33/563
6,055,736 A	5/2000	Gaston	
D427,927 S	7/2000	Ross	

FIG. 3 is a front view of my design;

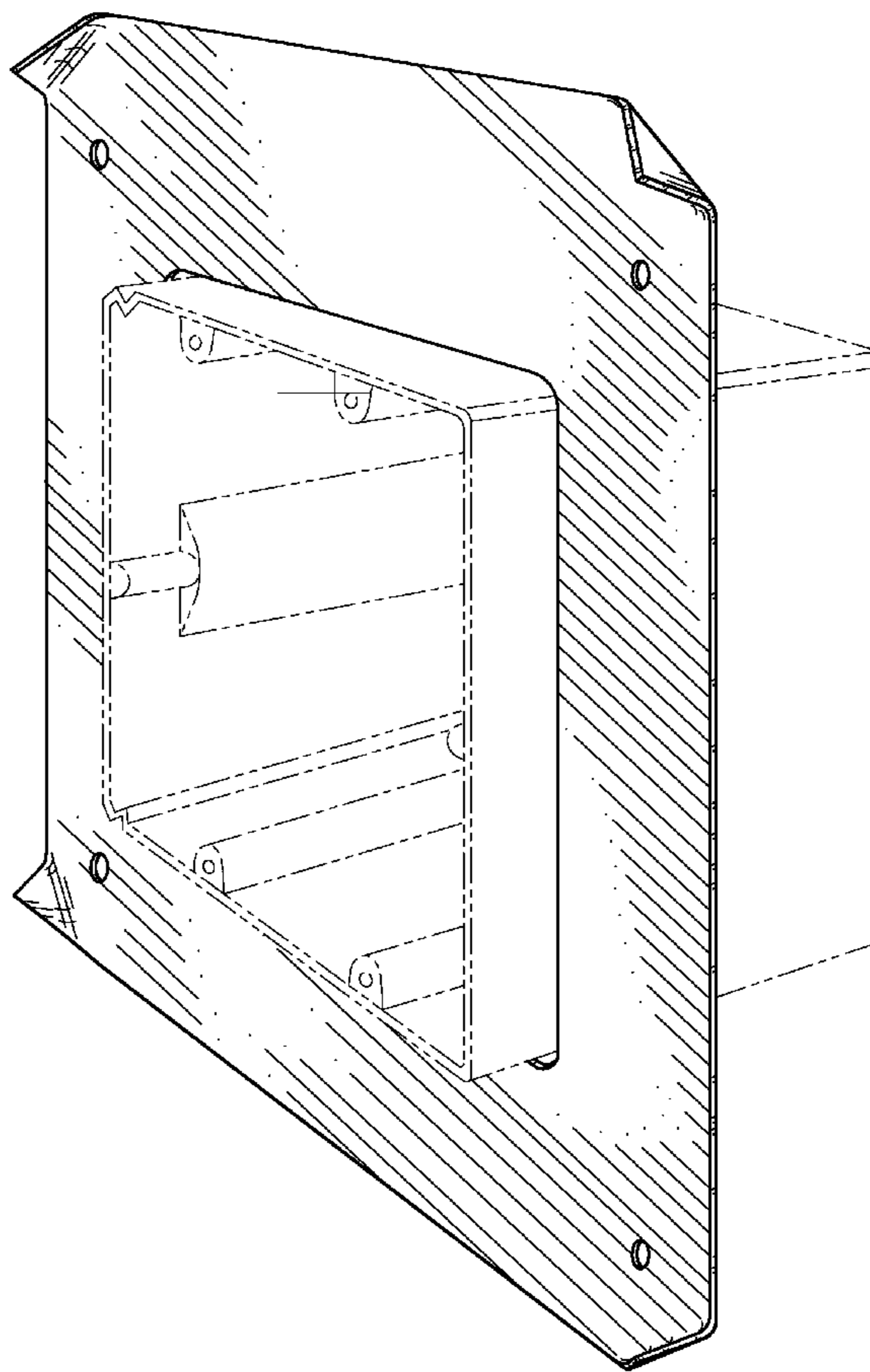
FIG. 4 is a rear view of my design;

FIG. 5 is a top view of my design; and,

FIG. 6 is a side view of my design.

The broken lines depict environmental structures of the bottle
and sprayer and form no part of the claimed invention.

1 Claim, 5 Drawing Sheets



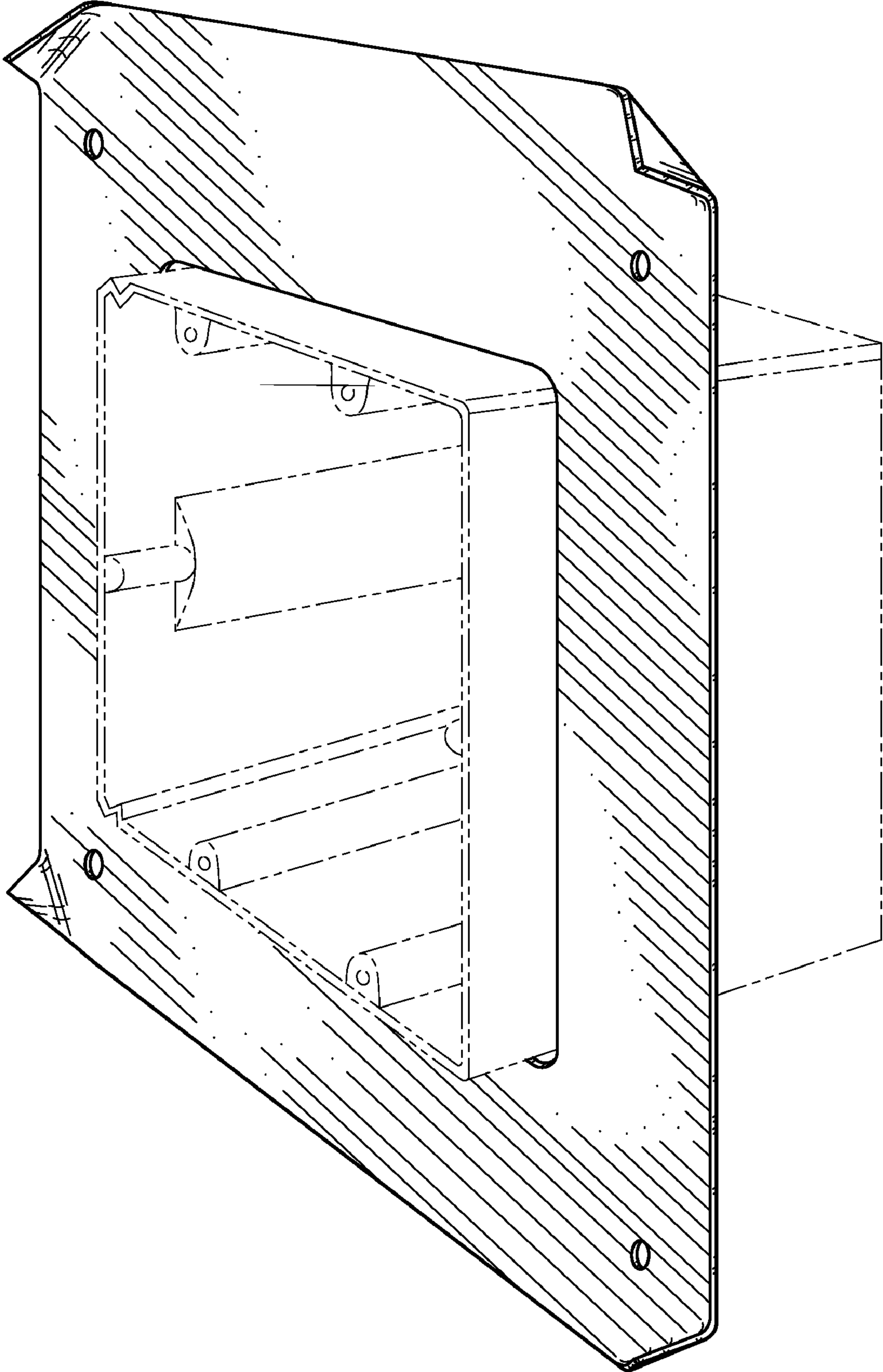


FIG. 1

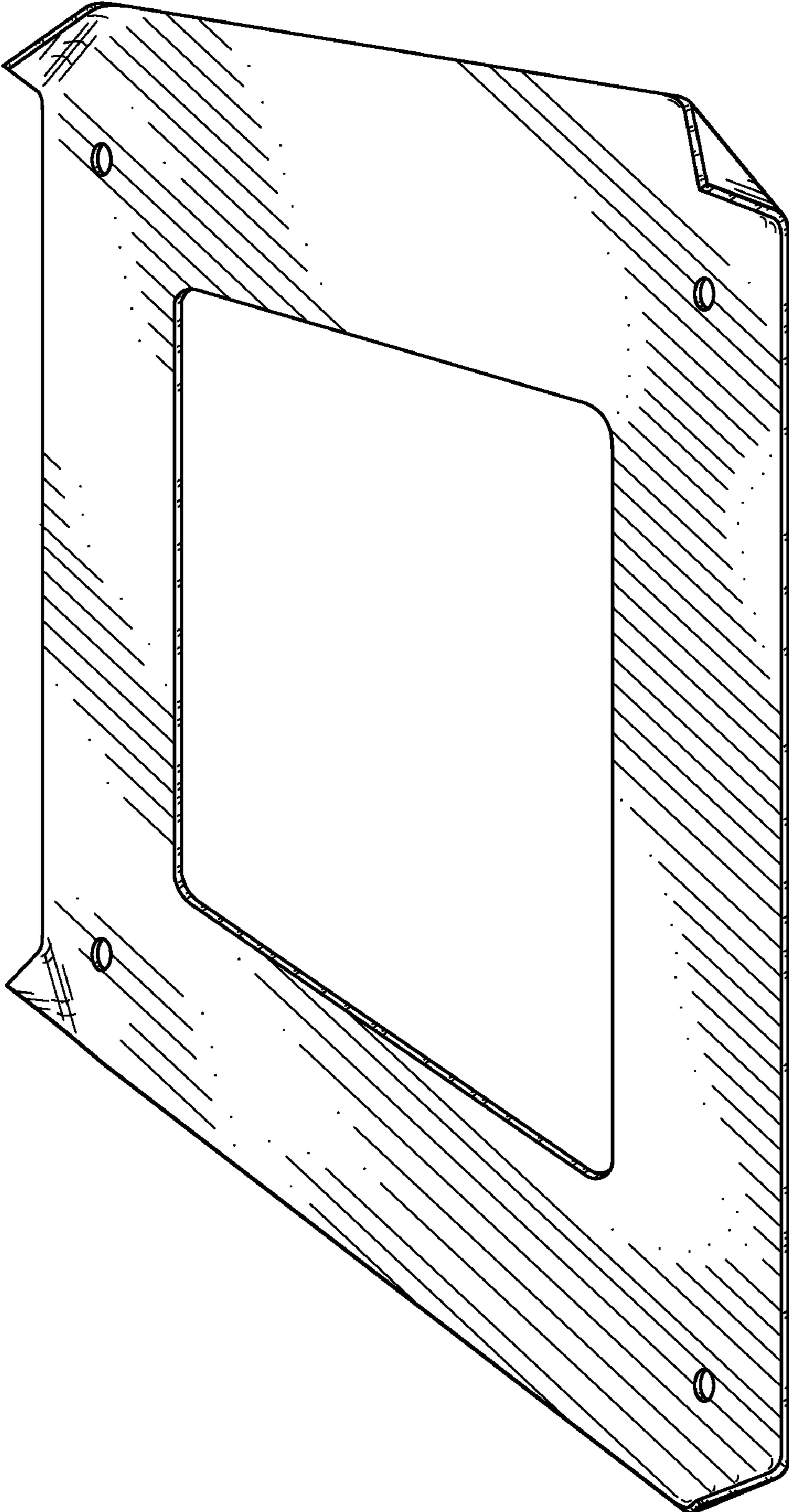


FIG. 2

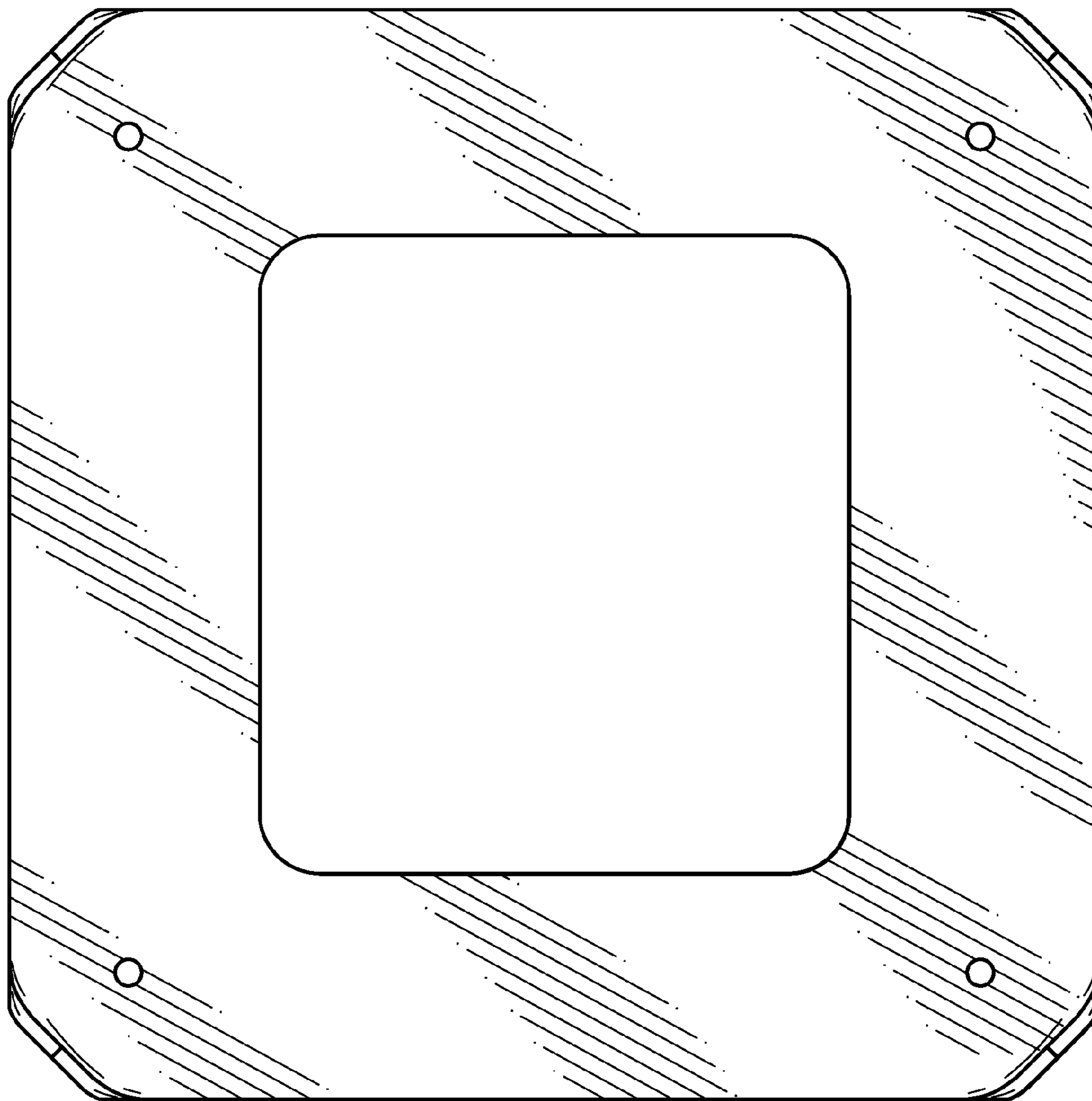


FIG. 3

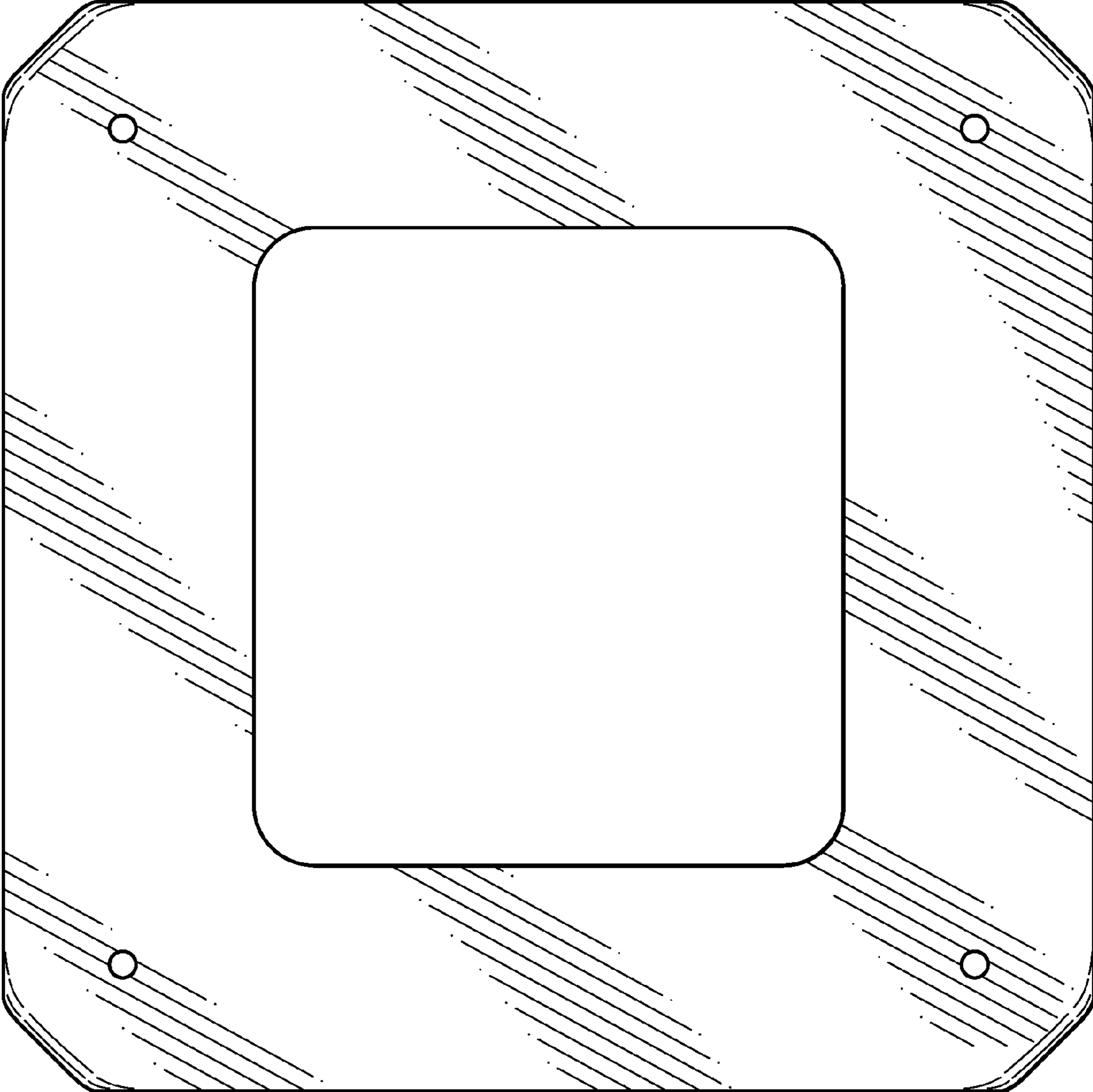


FIG. 4

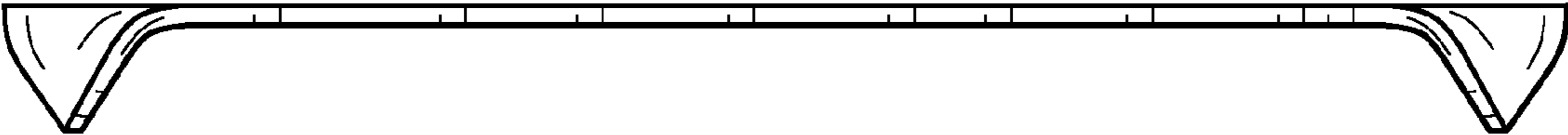


FIG. 5



FIG. 6